

US00D667801S

(12) **United States Design Patent**  
**Joo et al.**

(10) **Patent No.:** **US D667,801 S**  
(45) **Date of Patent:** **\*\* Sep. 25, 2012**

(54) **PACKAGE FOR LIGHT EMITTING DIODE (LED) LIGHTING**

FOREIGN PATENT DOCUMENTS

CN 200930286397.5 10/2010

(Continued)

(75) Inventors: **Sung Chul Joo**, Raleigh, NC (US);  
**Christopher P. Hussell**, Cary, NC (US)

OTHER PUBLICATIONS

(73) Assignee: **Cree, Inc.**, Durham, NC (US)

Description Model No. NS6x083x issued by Nichia Corporation—at least as early as Feb. 17, 2007.

(\*\*) Term: **14 Years**

(Continued)

(21) Appl. No.: **29/397,017**

*Primary Examiner* — Selina Sikder

(22) Filed: **Jul. 11, 2011**

(74) *Attorney, Agent, or Firm* — Jenkins, Wilson, Taylor & Hunt, P.A.

**Related U.S. Application Data**

(62) Division of application No. 29/365,939, filed on Jul. 16, 2010, now Pat. No. Des. 643,819.

(57) **CLAIM**

The ornamental design for a package for light emitting diode (LED) lighting, as shown and described.

(51) **LOC (9) Cl.** ..... **13-03**

(52) **U.S. Cl.** ..... **D13/180**

(58) **Field of Classification Search** ..... D13/180;  
D26/1, 2; 257/79, 80, 81, 88, 89, 95, 98,  
257/99, 100, E33.058; 313/483, 498, 500;  
362/555, 800

**DESCRIPTION**

See application file for complete search history.

FIG. 1 is a top perspective view of a package for light emitting diode (LED) lighting showing our design; FIG. 2 is a top plan view thereof; FIG. 3 is a first side view thereof, the opposing side being a mirror image of that shown; FIG. 4 is a second side view thereof, the opposing side being a mirror image of that shown; FIG. 5 is a bottom plan view thereof opposite the view of FIG. 2; FIG. 6 is a first side view thereof, the opposing side being a mirror image of that shown; FIG. 7 is a second side view thereof, the opposing side being a mirror image of that shown; and, FIG. 8 is a bottom perspective view thereof.

Broken lines immediately adjacent to the shaded areas represent the boundaries of the claimed design. Other broken lines are for illustrative purpose only and form no part of the claimed design. None of the broken lines form part of the claimed design.

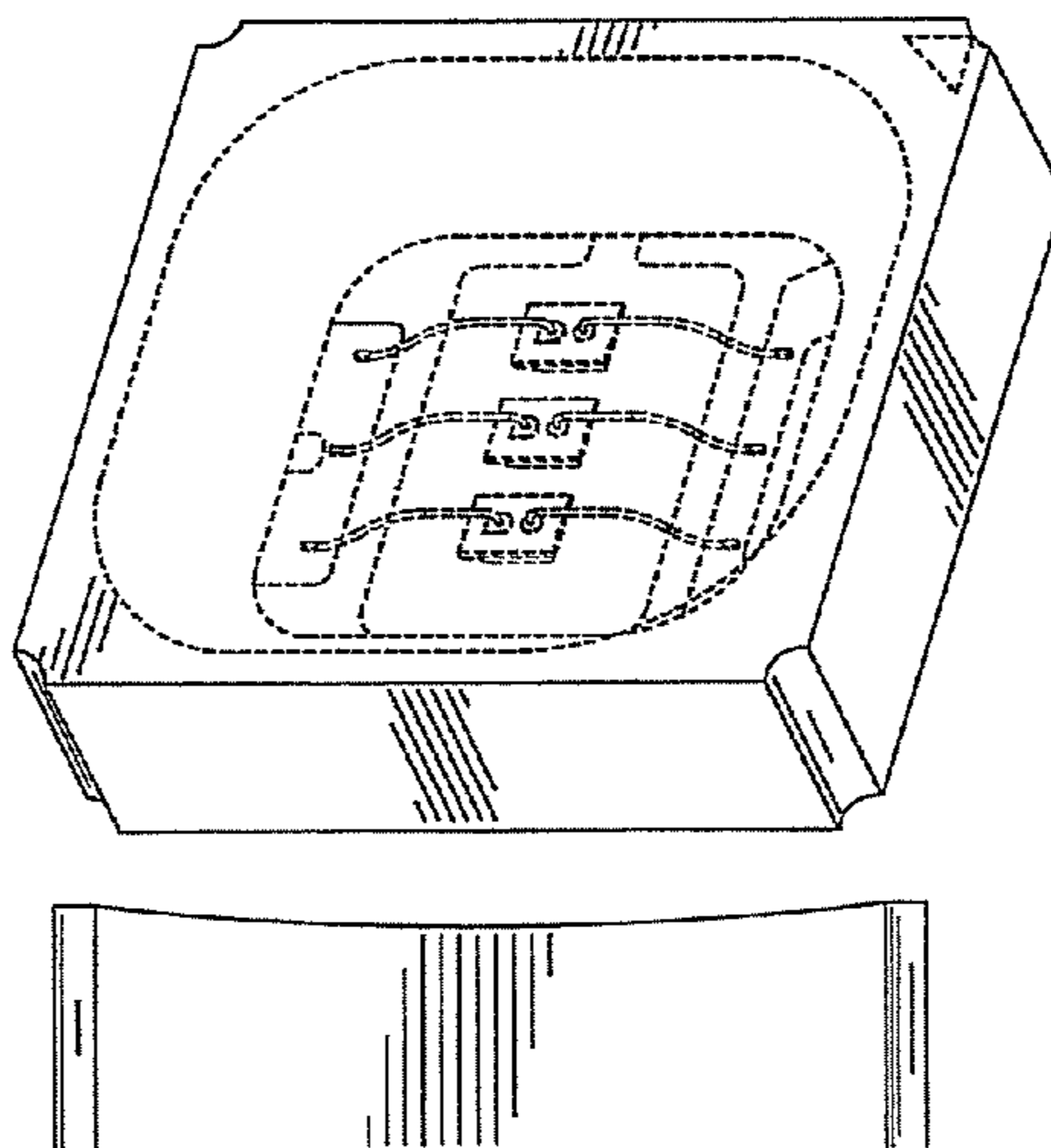
(56) **References Cited**

U.S. PATENT DOCUMENTS

4,679,118	A	7/1987	Johnson et al.	
6,610,563	B1	8/2003	Waitl	
6,828,170	B2	12/2004	Roberts et al.	
6,936,855	B1	8/2005	Harrah	
6,943,433	B2	9/2005	Kamada	
D514,073	S *	1/2006	Suenaga	..... D13/180
7,081,661	B2 *	7/2006	Takehara et al.	..... 257/433
7,224,047	B2	5/2007	Carberry et al.	
7,244,965	B2	7/2007	Andrews et al.	
7,249,790	B2	7/2007	Potts et al.	
D566,055	S	4/2008	Kim	
D573,113	S	7/2008	Bando	
D573,114	S	7/2008	Min et al.	
7,400,049	B2	7/2008	Shim	
7,432,589	B2	10/2008	Yamamoto et al.	

(Continued)

**1 Claim, 2 Drawing Sheets**



# US D667,801 S

Page 2

## U.S. PATENT DOCUMENTS

D580,375	S	11/2008	Yen	
D580,381	S	11/2008	Bando	
D580,891	S	11/2008	Sung et al.	
7,456,499	B2	11/2008	Loh et al.	
7,462,870	B2	12/2008	Nakashima	
D584,699	S	1/2009	Bando	
D594,827	S	6/2009	Loh et al.	
D595,675	S	7/2009	Wang et al.	
7,564,180	B2	7/2009	Brandes	
D597,968	S	8/2009	Kobayakawa et al.	
D597,971	S	8/2009	Kobayakawa et al.	
D598,400	S	8/2009	Bando	
7,592,638	B2	9/2009	Kim	
D614,592	S	4/2010	Hussell et al.	
7,692,206	B2	4/2010	Loh	
D615,504	S	5/2010	Keller et al.	
7,719,024	B2	5/2010	Bando	
D621,798	S *	8/2010	Lu et al. ....	D13/180
D621,799	S *	8/2010	Hussell et al. ....	D13/180
D622,680	S	8/2010	Lin et al.	
D626,095	S	10/2010	Hsieh	
D627,310	S	11/2010	Lin et al.	
D628,541	S	12/2010	Lin	
D632,267	S	2/2011	Chen et al.	
D632,659	S	2/2011	Hsieh	
D634,284	S	3/2011	Ko et al.	
D634,285	S	3/2011	Ko et al.	
D634,286	S	3/2011	Ko et al.	
D635,527	S	4/2011	Hussell et al.	
7,923,739	B2	4/2011	Hussell	
D641,719	S	7/2011	Hussell et al.	
D643,819	S *	8/2011	Joo et al. ....	D13/180
D648,686	S	11/2011	Hussell et al.	
D648,687	S	11/2011	Joo et al.	
2001/0045640	A1	11/2001	Oida et al.	
2004/0079957	A1	4/2004	Andrews et al.	
2006/0157726	A1	7/2006	Loh et al.	
2006/0220050	A1 *	10/2006	Higaki et al. ....	257/99
2007/0052074	A1	3/2007	Hasegawa	
2007/0075325	A1	4/2007	Baek et al.	
2008/0006837	A1	1/2008	Park et al.	
2008/0185605	A1 *	8/2008	Wada et al. ....	257/98
2008/0258162	A1 *	10/2008	Koung et al. ....	257/98
2008/0278941	A1	11/2008	Logan et al.	
2008/0290353	A1	11/2008	Medendorp	
2009/0159905	A1	6/2009	Chen	
2009/0189178	A1	7/2009	Kim et al.	
2010/0059783	A1	3/2010	Chandra	
2010/0133554	A1 *	6/2010	Hussell ....	257/88
2010/0133578	A1	6/2010	Pickard et al.	
2010/0155748	A1	6/2010	Chan et al.	
2011/0006658	A1	1/2011	Chan	
2011/0031865	A1 *	2/2011	Hussell et al. ....	313/46
2011/0180827	A1	7/2011	Hussell	
2011/0186873	A1	8/2011	Emerson	

## FOREIGN PATENT DOCUMENTS

EP	001242234	1/2011
JP	1102760	3/2001

JP	2008-091792	4/2008
JP	2008-103480	5/2008
JP	1346959	12/2008
JP	1416396	5/2011
KR	1020070000130 A	1/2007
KR	1020090003378 A	1/2009
WO	WO 2007/126720	11/2007

## OTHER PUBLICATIONS

Description Model No. NS6G083 issued by Nichia Corporation—at least as early as Aug. 31, 2007.

Non-Final Office Action for U.S. Appl. No. 12/479,318 dated Jun. 2, 2010.

U.S. Appl. No. 12/853,812, filed Aug. 10, 2010.

U.S. Appl. No. 61/404,985, filed Oct. 13, 2010.

Non-final Office Action for U.S. Appl. No. 12/479,318 dated Nov. 10, 2010.

U.S. Appl. No. 12/969,267, filed Dec. 15, 2010.

Related U.S. Appl. No. 29/382,394, filed Jan. 3, 2011.

International Search Report/Written Opinion dated Jan. 5, 2011 for PCT/US2010/035379.

Certificate of Registration for Community Design Application Serial No. 001283600-0001-0003 dated Jan. 7, 2011.

U.S. Appl. No. 13/011,609, filed Jan. 21, 2011.

Notice of Allowance for Japanese Design Appl. No. 2010-026186 dated Mar. 29, 2011.

Japanese Office Action for JP2010-026185 dated Apr. 5, 2011.

Taiwanese Office Action for Appl. No. 099305566 dated Jul. 12, 2011.

Office Action with Restriction/Election Requirement for U.S. Appl. No. 12/853,812 dated Sep. 22, 2011.

International Search Report and Written Opinion for PCT Application Serial No. PCT/US2011/41833 dated Oct. 24, 2011.

International Search Report and Written Opinion for PCT Application Serial No. PCT/US2011/043539 dated Oct. 28, 2011.

Notice of Allowance for Japanese Application Serial No. JP-DES 2011/015199 dated Nov. 10, 2011.

Notice of Allowance for Japanese Application Serial No. JP-DES 2011/015200 dated Nov. 30, 2011.

Notice of Allowance for Japanese Application Serial No. JP-DES 2011/015201 dated Nov. 30, 2011.

Notice of Allowance for Taiwanese Application Serial No. TW 099305566 dated Dec. 5, 2011.

Notice of Allowance for Chinese Application Serial No. CN 2011/30171313.0 dated Dec. 6, 2011.

Non-Final Office Action for U.S. Appl. No. 12/853,812 dated Dec. 7, 2011.

International Preliminary Report on Patentability for PCT Application Serial No. PCT/US2010/035379 dated Dec. 8, 2011.

Non-Final Office Action for Korean Application Serial No. KR 30-2010-0047048 dated Dec. 15, 2011.

Non-Final Office Action for Korean Application Serial No. KR 30-2010-0047049 dated Dec. 15, 2011.

Notice of Allowance for U.S. Appl. No. 29/401,692 dated Jan. 20, 2012.

\* cited by examiner

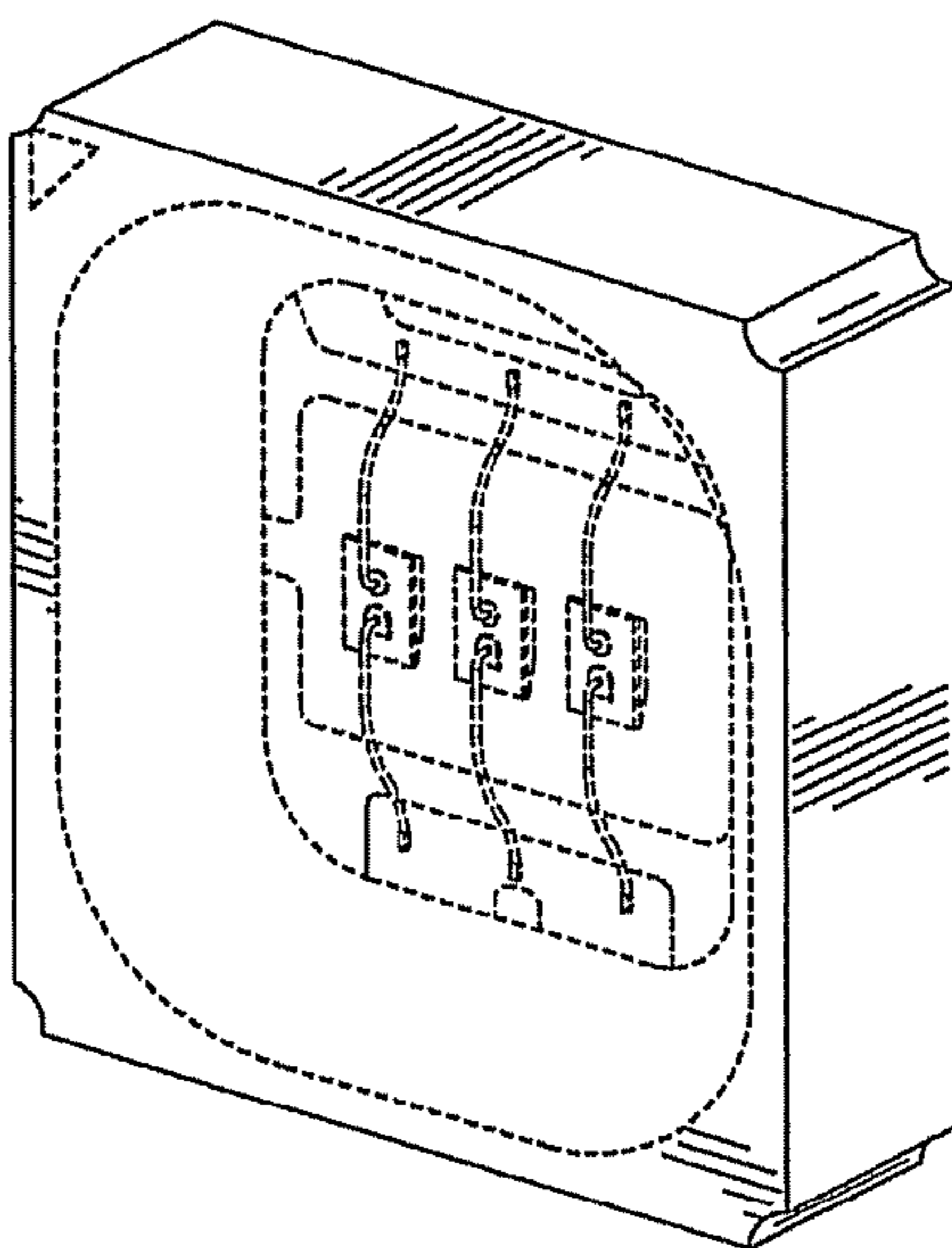


Fig. 1

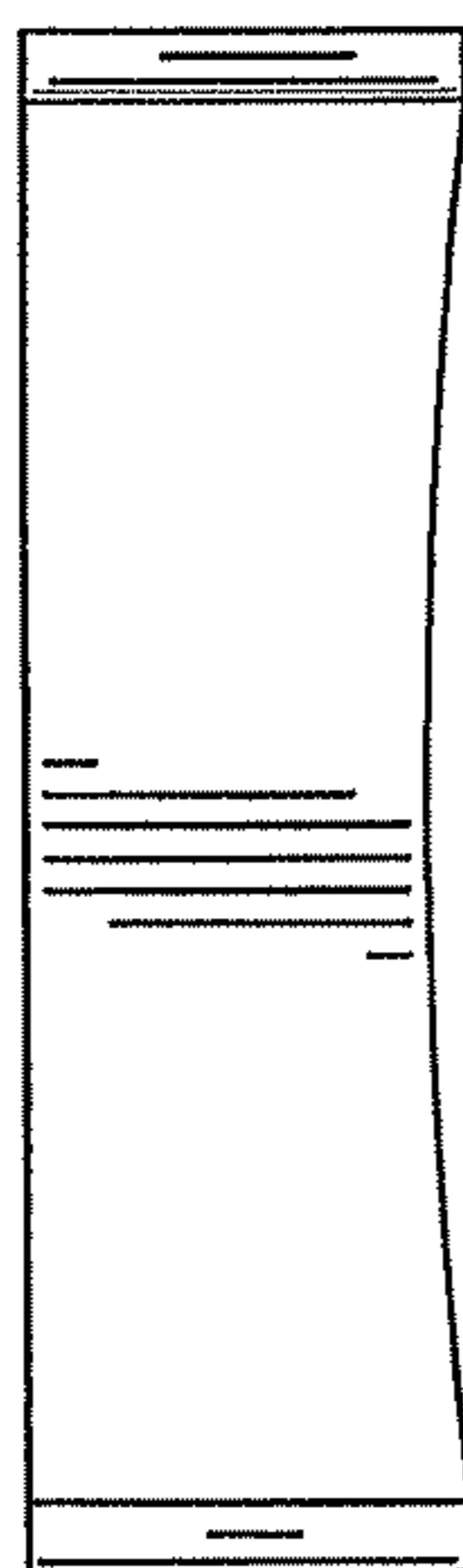


Fig. 3

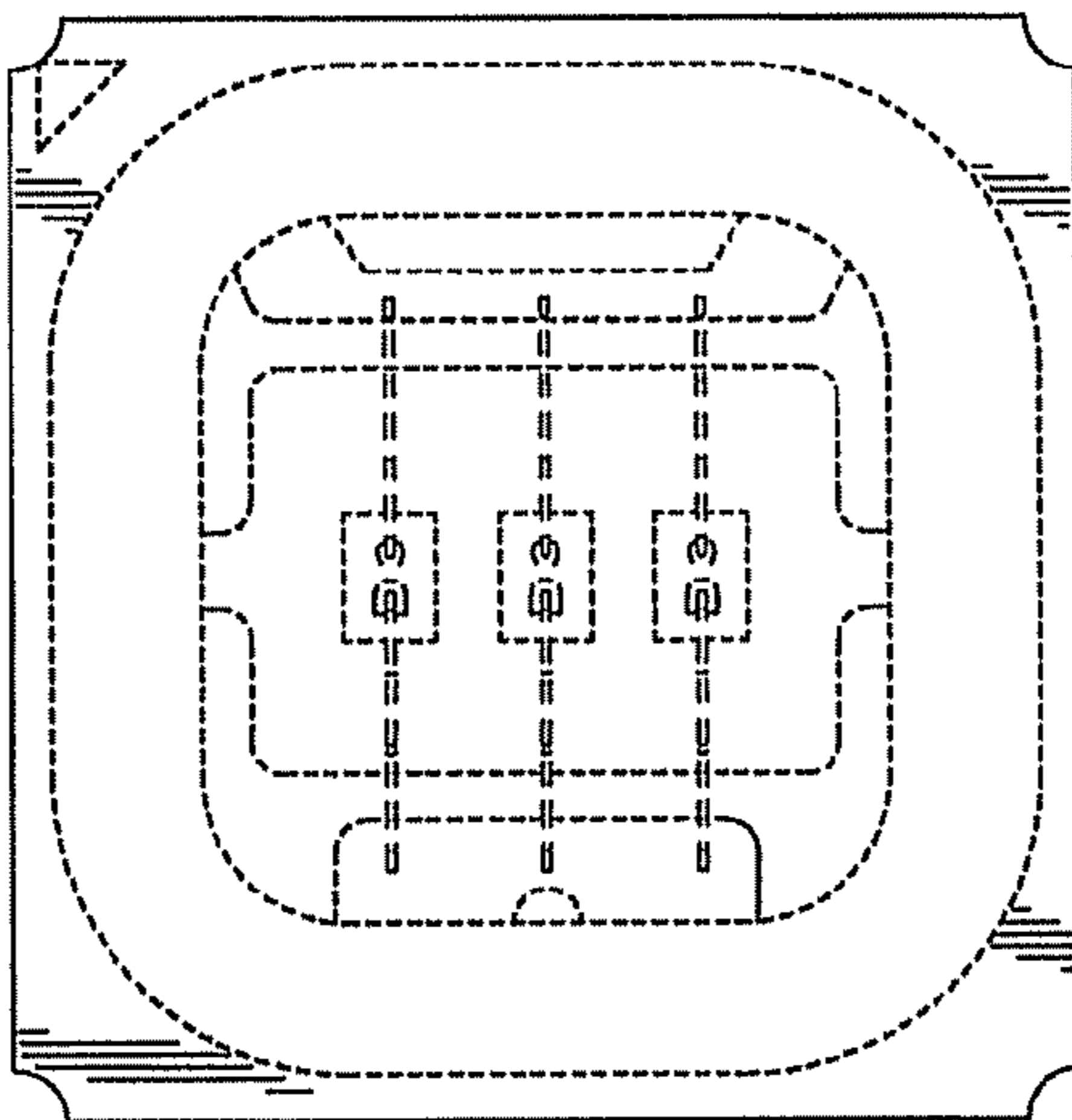


Fig. 2



Fig. 4

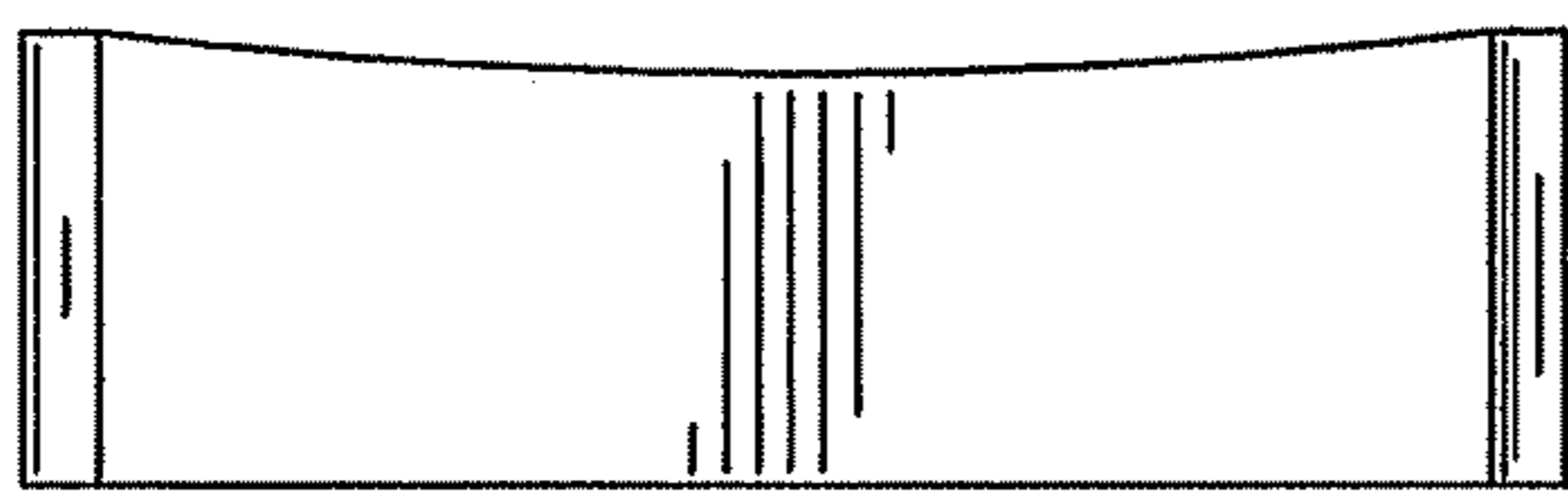


Fig. 7

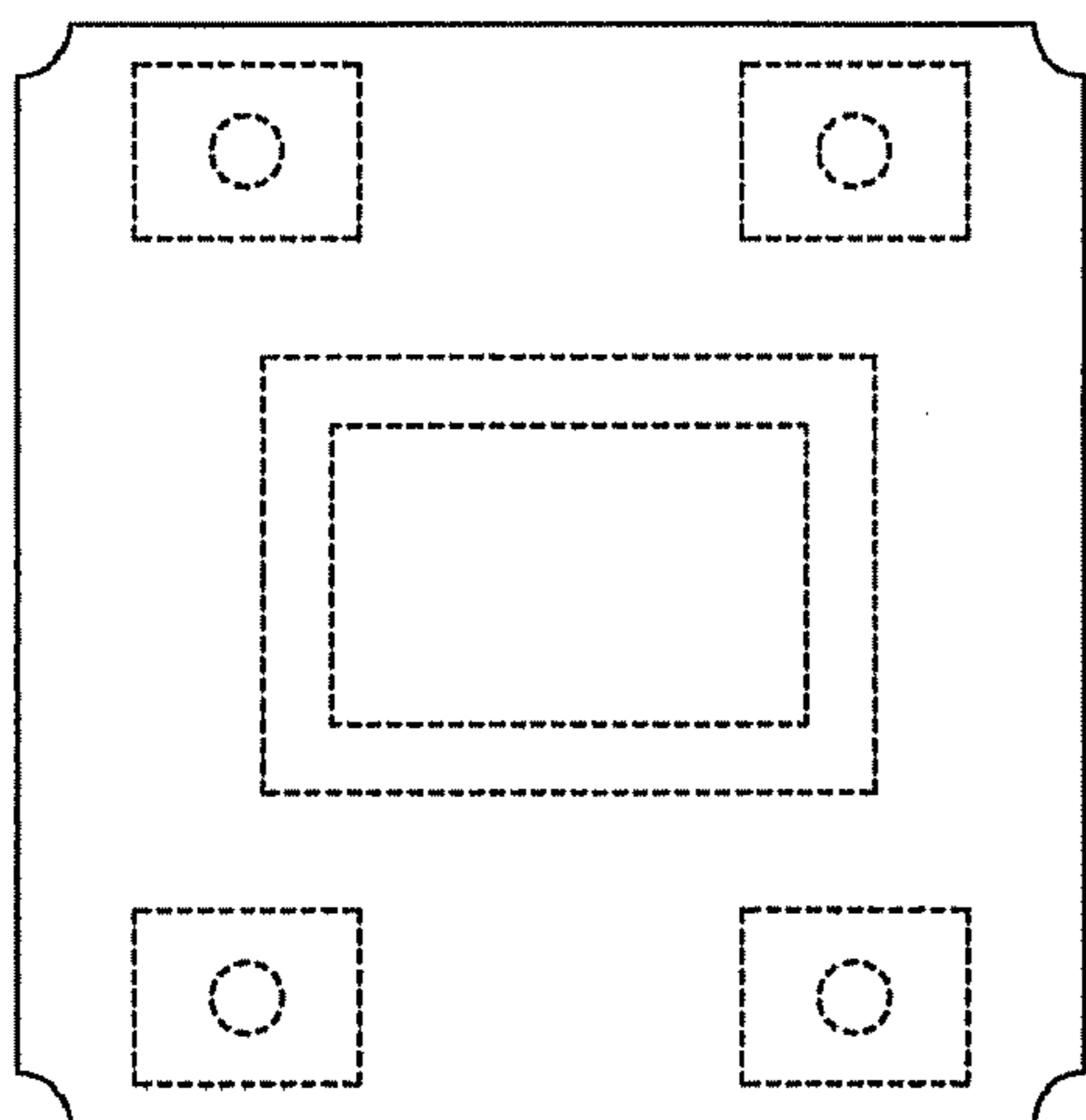


Fig. 5

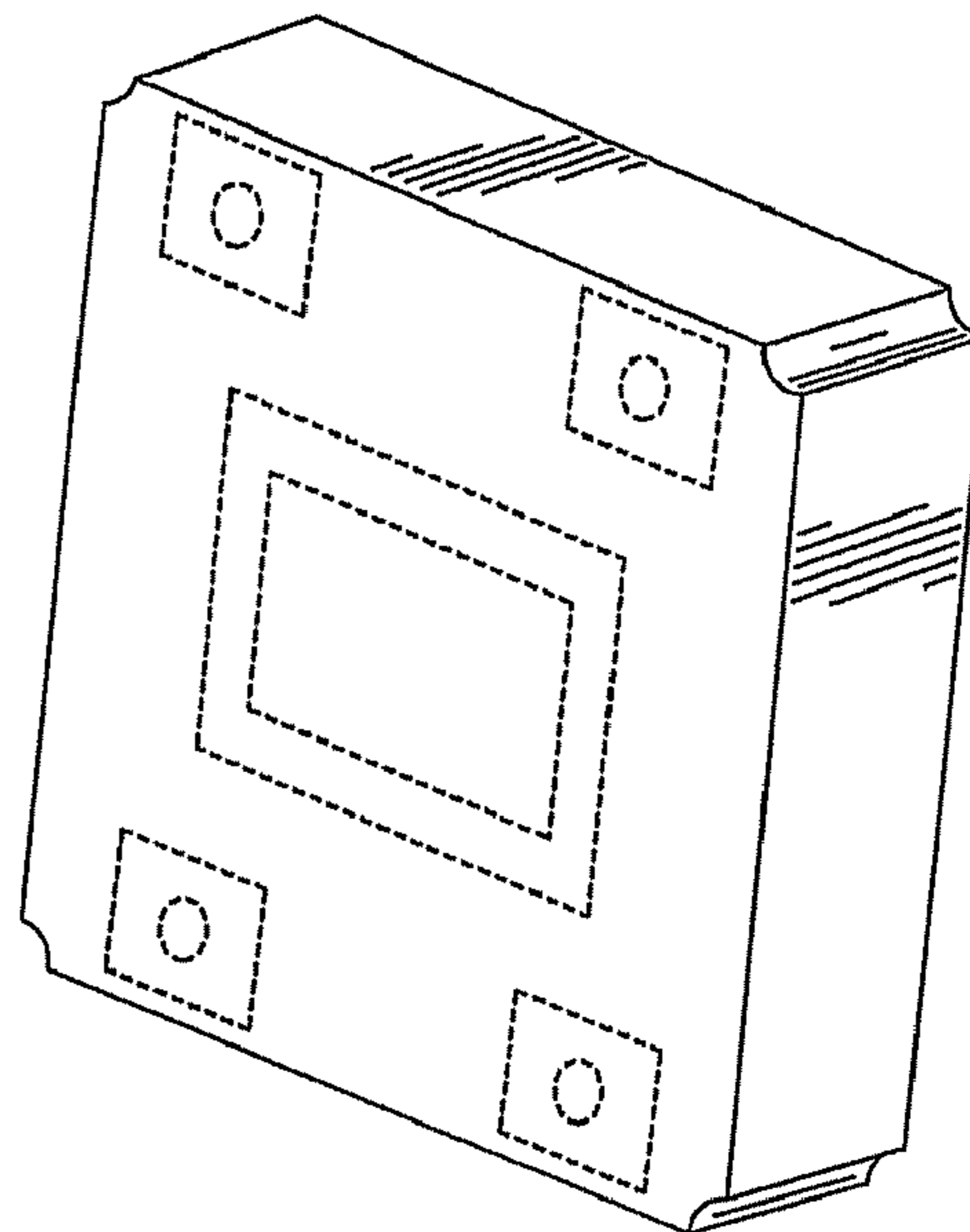


Fig. 8

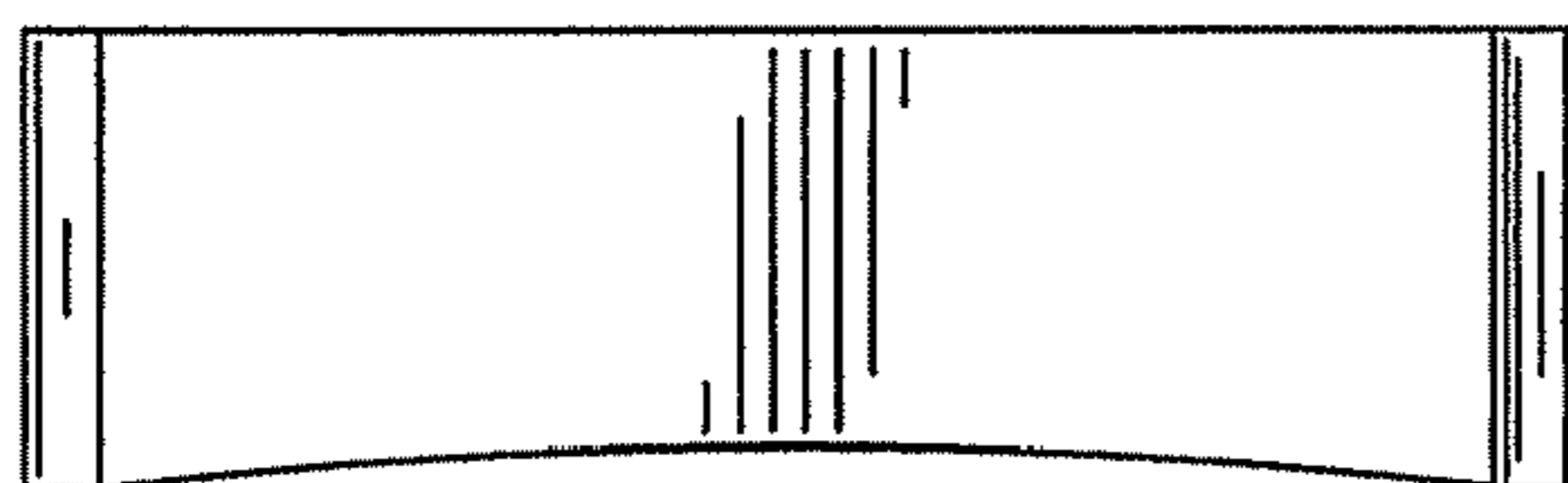


Fig. 6