



US00D667800S

(12) **United States Design Patent**
Choi et al.

(10) **Patent No.:** **US D667,800 S**

(45) **Date of Patent:** **** Sep. 25, 2012**

(54) **LIGHT-EMITTING DIODE ILLUMINATING APPARATUS**

(75) Inventors: **Seung Hwan Choi**, Gyeonggi-do (KR); **Jung Kyu Park**, Seoul (KR); **Young Sik Jeong**, Seoul (KR); **Jin Mo Kim**, Gyeonggi-do (KR); **Sung Ho Youn**, Seoul (KR); **Man Ki Hong**, Gyeonggi-do (KR); **Churl Wung Shin**, Gyeonggi-do (KR); **Tae Heon Han**, Jeju-do (KR)

(73) Assignee: **Samsung Electronics Co., Ltd.**, Seoul (KR)

(**) Term: **14 Years**

(21) Appl. No.: **29/393,824**

(22) Filed: **Jun. 9, 2011**

(30) **Foreign Application Priority Data**

Dec. 9, 2010 (KR) 30-2010-0053445

(51) **LOC (9) Cl.** **13-03**

(52) **U.S. Cl.** **D13/180**

(58) **Field of Classification Search** D13/180;
D26/1, 2; 257/79, 80, 81, 88, 89, 95, 98,
257/99, 100, E33.058; 313/483, 498, 500;
362/555, 800

See application file for complete search history.

(56) **References Cited**

U.S. PATENT DOCUMENTS

D511,149 S * 11/2005 Suenaga D13/180
6,972,439 B1 * 12/2005 Kim et al. 257/98
D523,826 S * 6/2006 Kamada D13/180
D568,830 S * 5/2008 Park et al. D13/180
D574,551 S * 8/2008 Park D26/120

D576,967 S * 9/2008 Kim et al. D13/180
7,458,703 B2 * 12/2008 Han et al. 362/267
D596,592 S * 7/2009 Yong et al. D13/180
7,566,148 B2 * 7/2009 Noh et al. 362/305
7,618,163 B2 * 11/2009 Wilcox 362/336
D619,755 S * 7/2010 Lai et al. D26/124
D622,679 S * 8/2010 Hsieh D13/180
2009/0129097 A1 * 5/2009 Ewert et al. 362/328

* cited by examiner

Primary Examiner — Selina Sikder

(74) *Attorney, Agent, or Firm* — McDermott Will & Emery LLP

(57) **CLAIM**

The ornamental design for light-emitting diode illuminating apparatus, as shown and described.

DESCRIPTION

FIG. 1 is a perspective view of a light-emitting diode illuminating apparatus showing my new design;

FIG. 2 is a front elevational view of the light-emitting diode illuminating apparatus;

FIG. 3 is a rear elevational view of the light-emitting diode illuminating apparatus;

FIG. 4 is a left side elevational view of the light-emitting diode illuminating apparatus;

FIG. 5 is a right side elevational view of the light-emitting diode illuminating apparatus;

FIG. 6 is a plan view of the light-emitting diode illuminating apparatus; and,

FIG. 7 is a bottom perspective view of the light-emitting diode illuminating apparatus.

The broken lines showing portions of the light-emitting diode illuminating apparatus are included for the purpose of illustrating non-claimed subject matter and form no part of the claimed design.

1 Claim, 6 Drawing Sheets

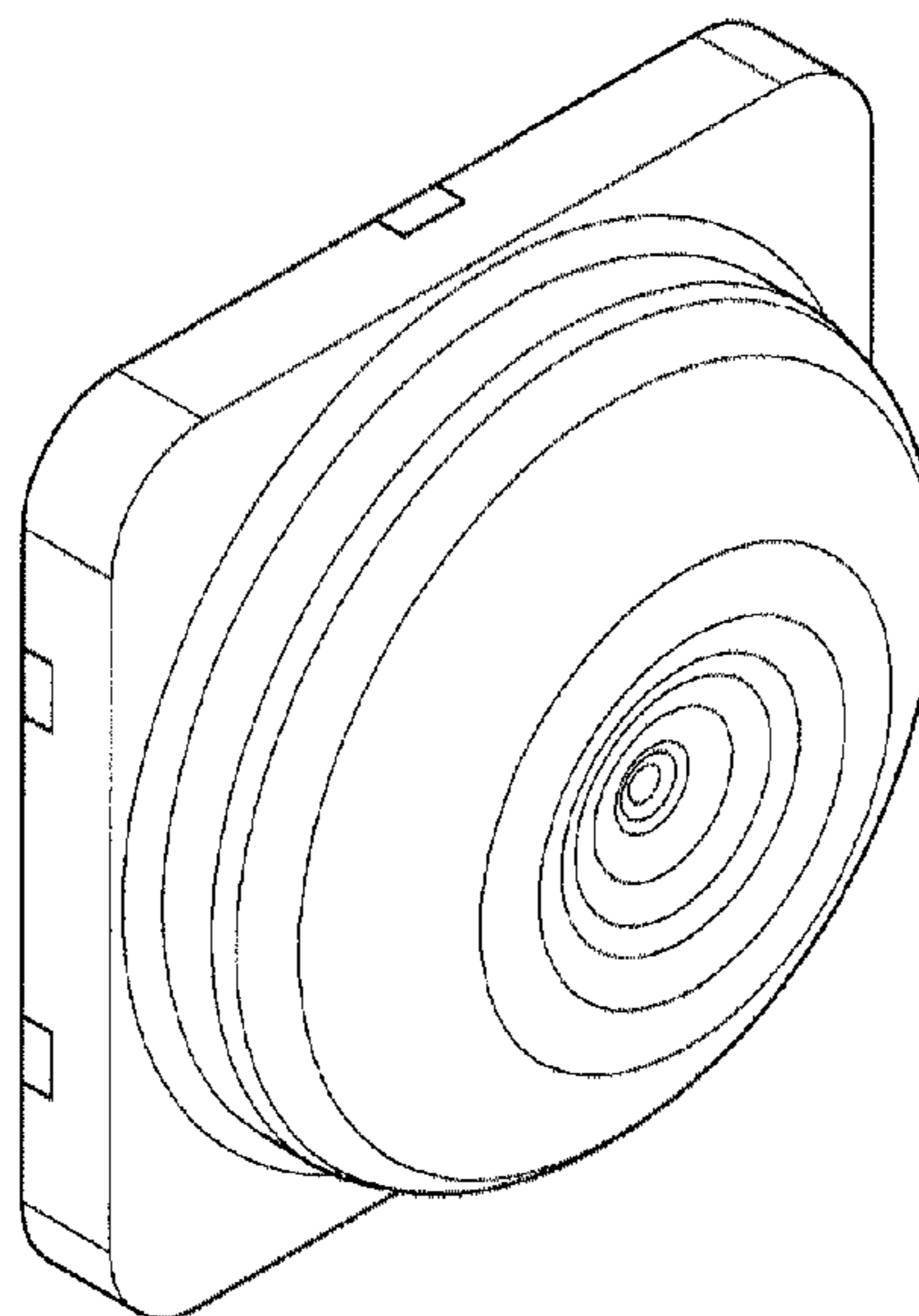


FIG. 1

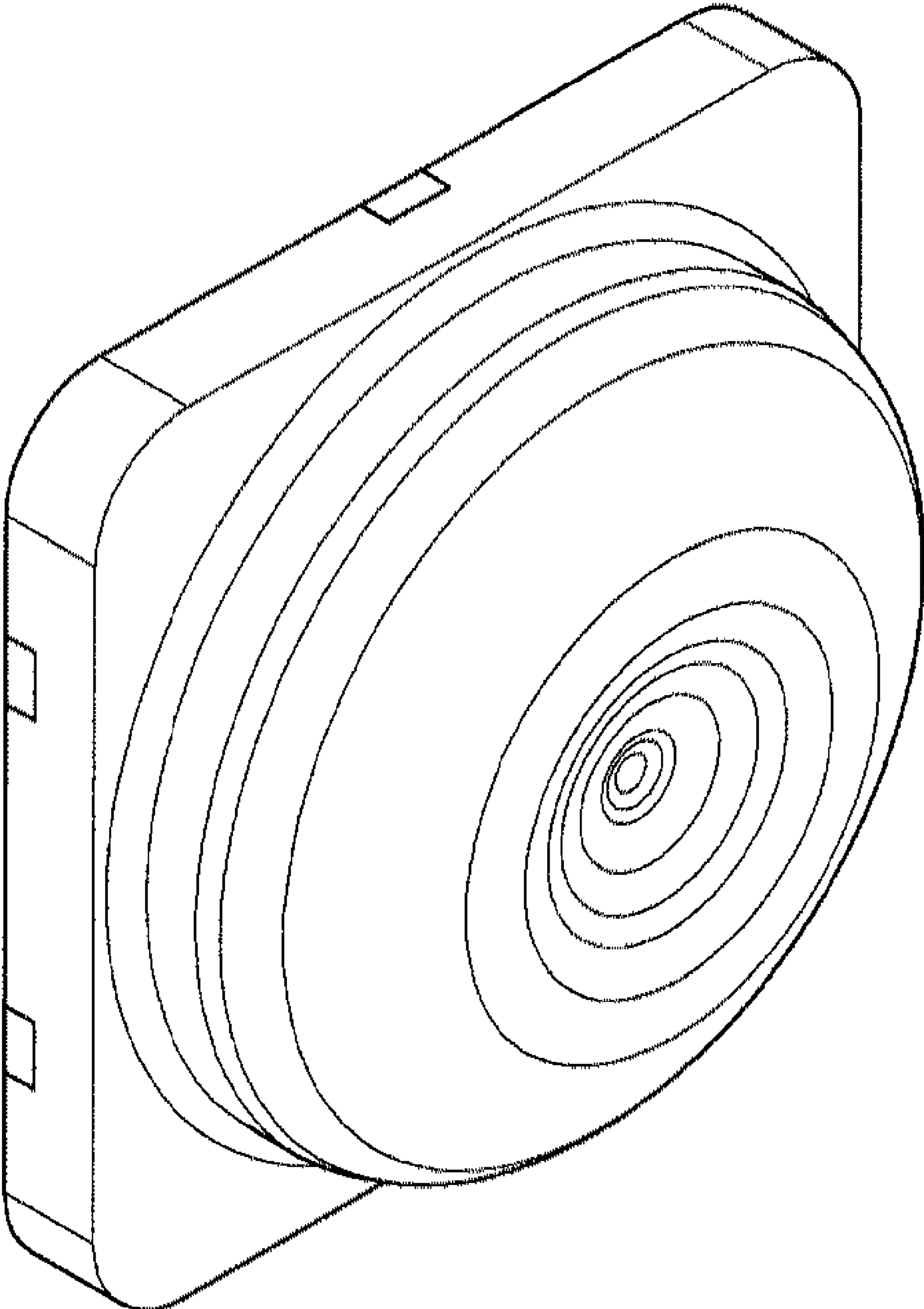


FIG. 2

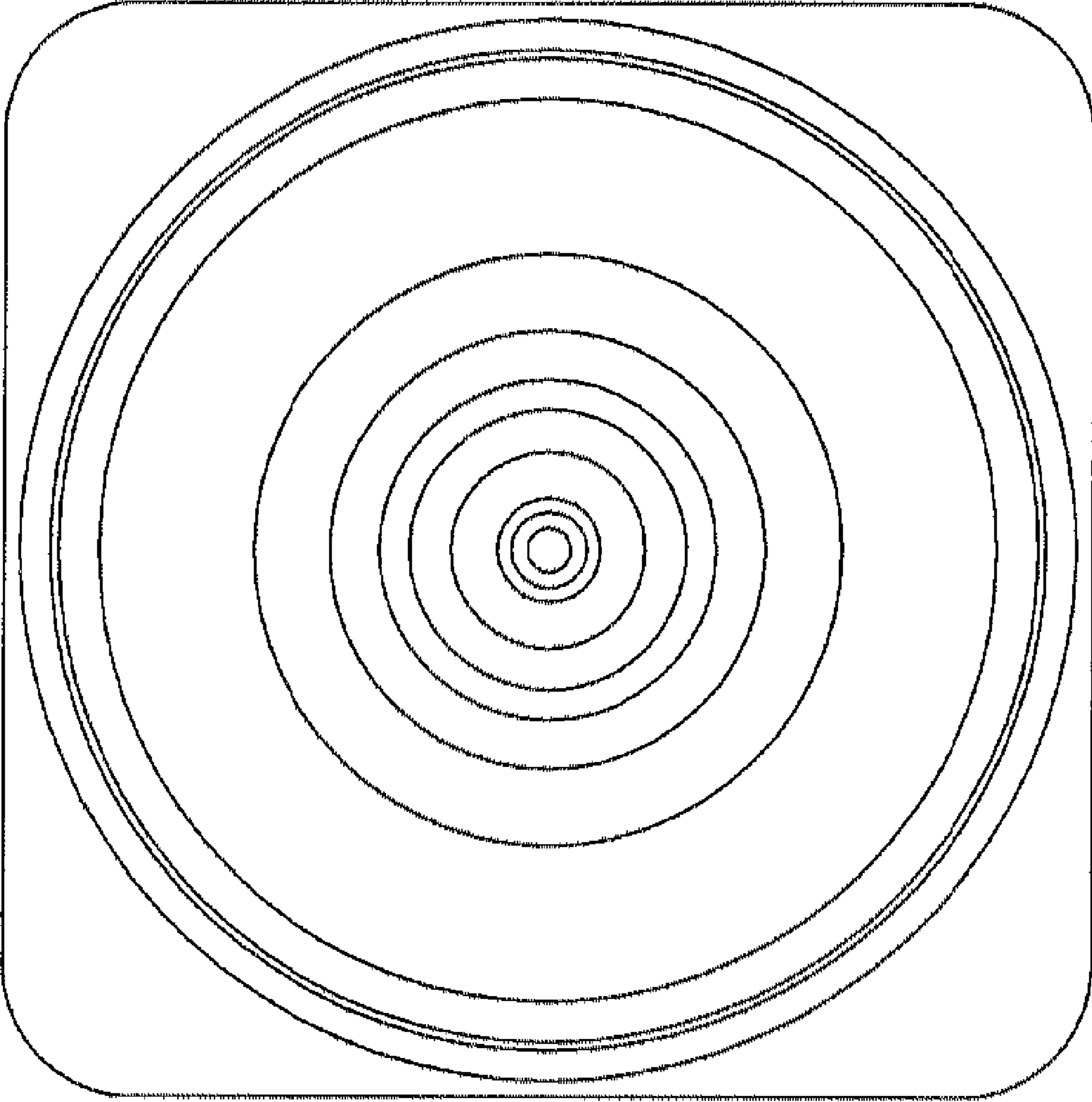


FIG. 3

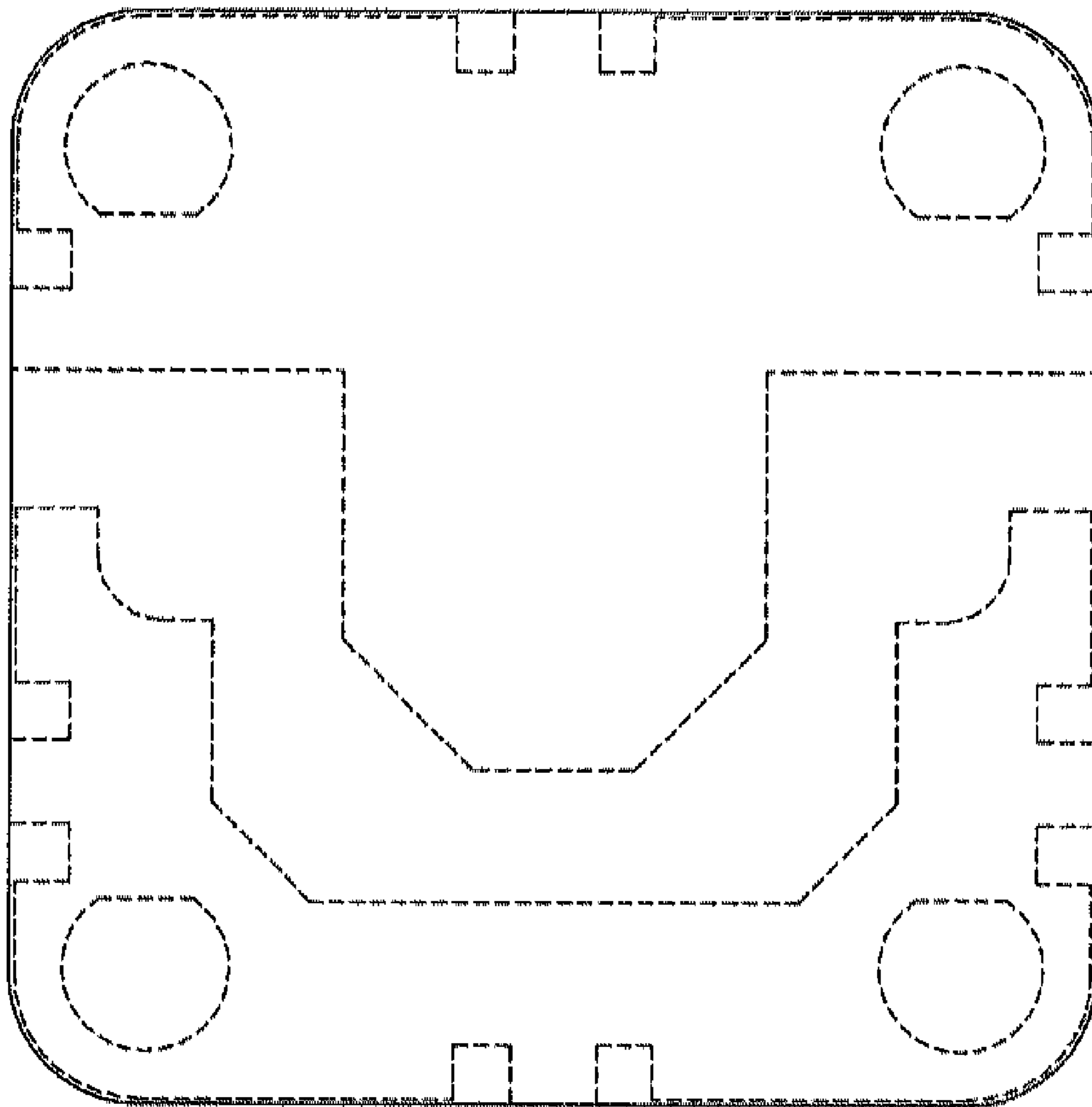


FIG. 4

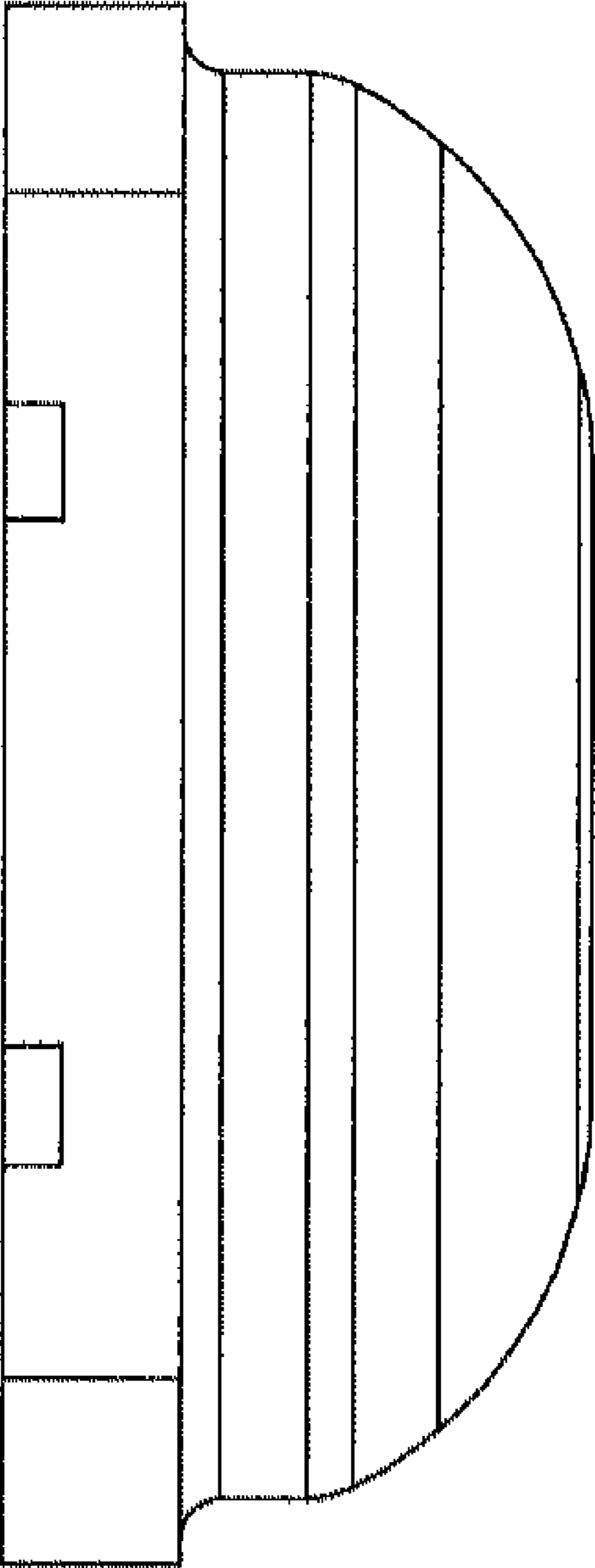


FIG. 5

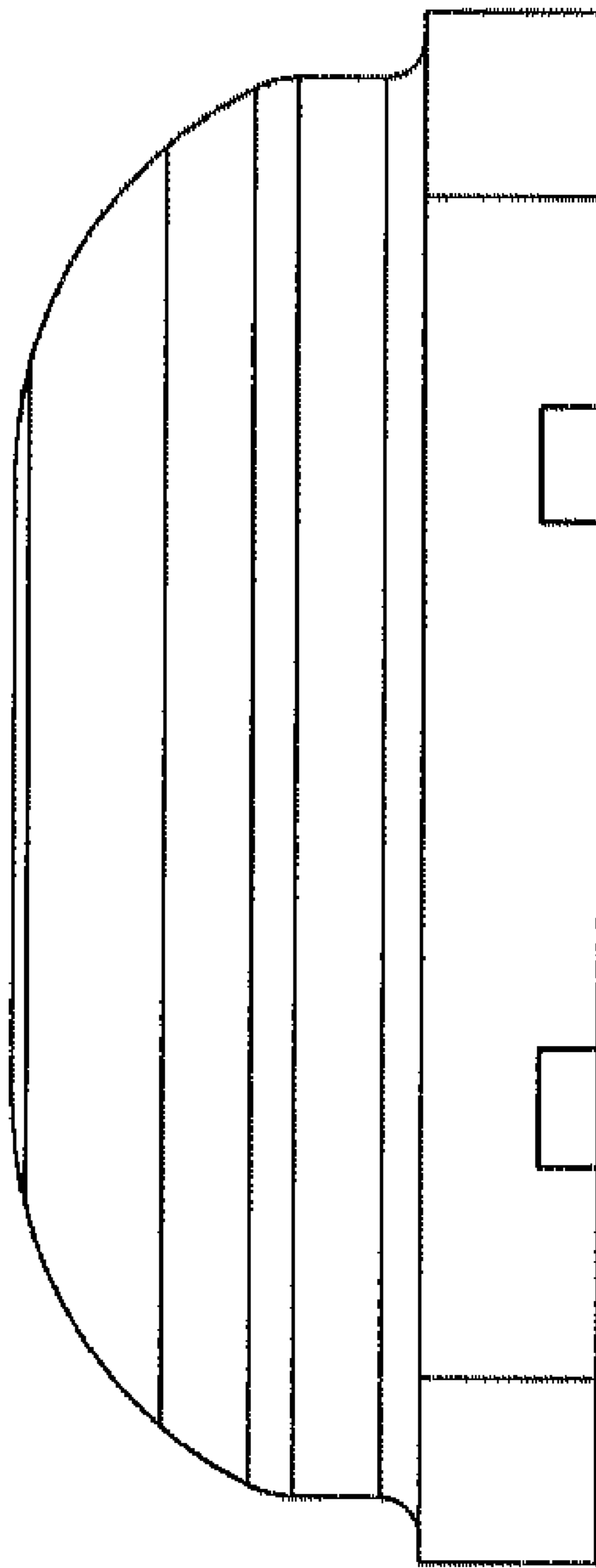


FIG. 6

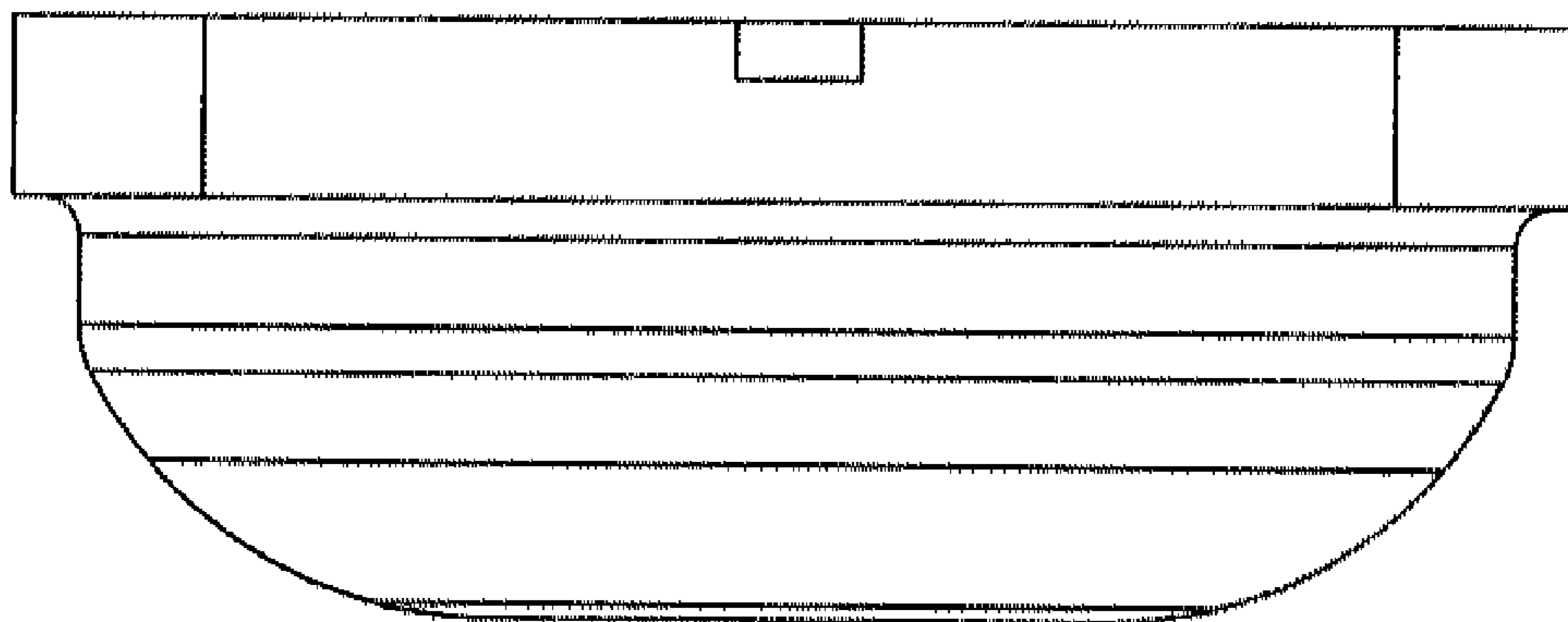


FIG. 7

