

US00D667797S

(12) **United States Design Patent**
Saitou

(10) **Patent No.:** **US D667,797 S**
(45) **Date of Patent:** **** Sep. 25, 2012**

(54) **REMOTE CONTROL FOR
AIR-CONDITIONER**

(75) Inventor: **Yumi Saitou**, Kusatsu (JP)

(73) Assignee: **Daikin Industries Ltd.**, Osaka-Shi (JP)

(**) Term: **14 Years**

(21) Appl. No.: **29/371,917**

(22) Filed: **Jan. 19, 2012**

(30) **Foreign Application Priority Data**

Aug. 11, 2011 (JP) 2011-018419

(51) **LOC (9) Cl.** **14-03**

(52) **U.S. Cl.** **D13/168**

(58) **Field of Classification Search** D13/168;
D10/104.1, 106.1; D14/218; D21/324; 315/158,
315/295; 340/4.3, 4.42, 12.22, 12.23, 12.24,
340/12.29, 12.3, 13.2, 13.21, 13.24; 341/176;
345/169; 348/734; 455/352; 463/39; 700/17,
700/65, 83

See application file for complete search history.

(56) **References Cited**

U.S. PATENT DOCUMENTS

5,590,831 A * 1/1997 Manson et al. 236/51
D573,548 S * 7/2008 Chouji et al. D13/168
D617,747 S * 6/2010 Kobes et al. D13/168

D619,107 S * 7/2010 Giugiaro D13/168
D619,543 S * 7/2010 Nakai D13/168
D621,370 S * 8/2010 Chouji et al. D13/168
D634,277 S * 3/2011 Chouji D13/168
D634,715 S * 3/2011 Choi et al. D13/168
D639,750 S * 6/2011 Chouji D13/168
D648,284 S * 11/2011 Kashimoto D13/168
D648,285 S * 11/2011 Kashimoto D13/168
D657,754 S * 4/2012 Kashimoto D13/168

* cited by examiner

Primary Examiner — Selina Sikder

(74) *Attorney, Agent, or Firm* — Manabu Kanesaka

(57) **CLAIM**

The ornamental design for a remote control for air-conditioner, as shown and described.

DESCRIPTION

FIG. 1 is a perspective view of a remote control for air-conditioner showing my new design;
FIG. 2 is a front view thereof;
FIG. 3 is a rear view thereof;
FIG. 4 is a plan view thereof;
FIG. 5 is a bottom view thereof;
FIG. 6 is a left side view thereof;
FIG. 7 is a right side view thereof;
FIG. 8 is a cross-sectional view thereof taken along line 8-8 of FIG. 2; and,
FIG. 9 is another perspective view thereof, wherein a front cover is open.
The broken lines depict portions of the remote control for air-conditioner that form no part of claimed design.

1 Claim, 5 Drawing Sheets

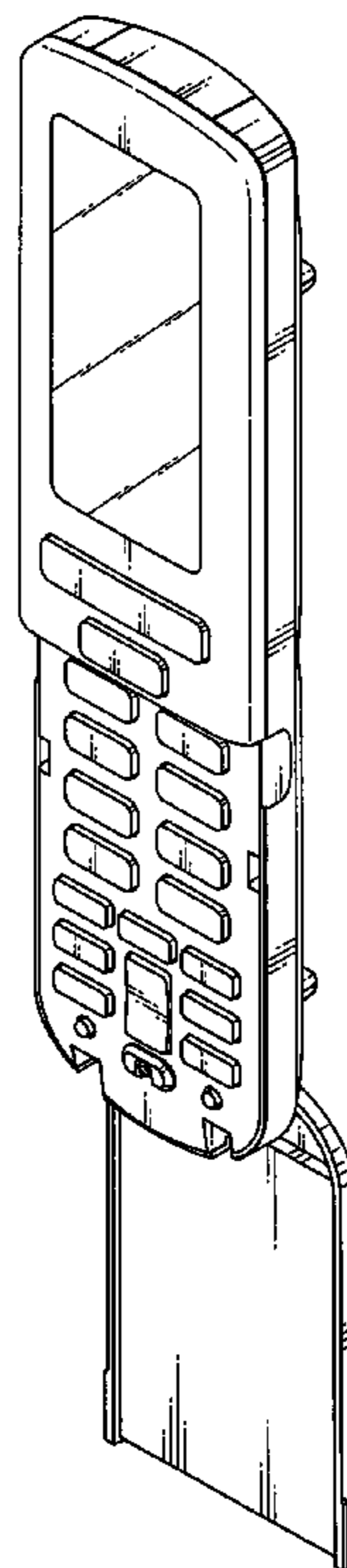
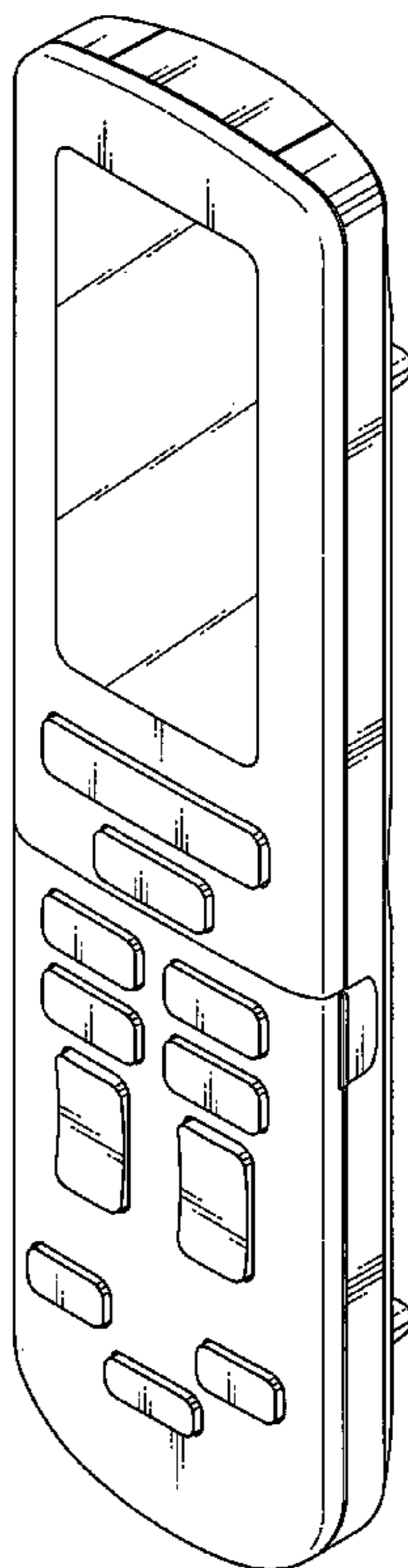


Fig. 1

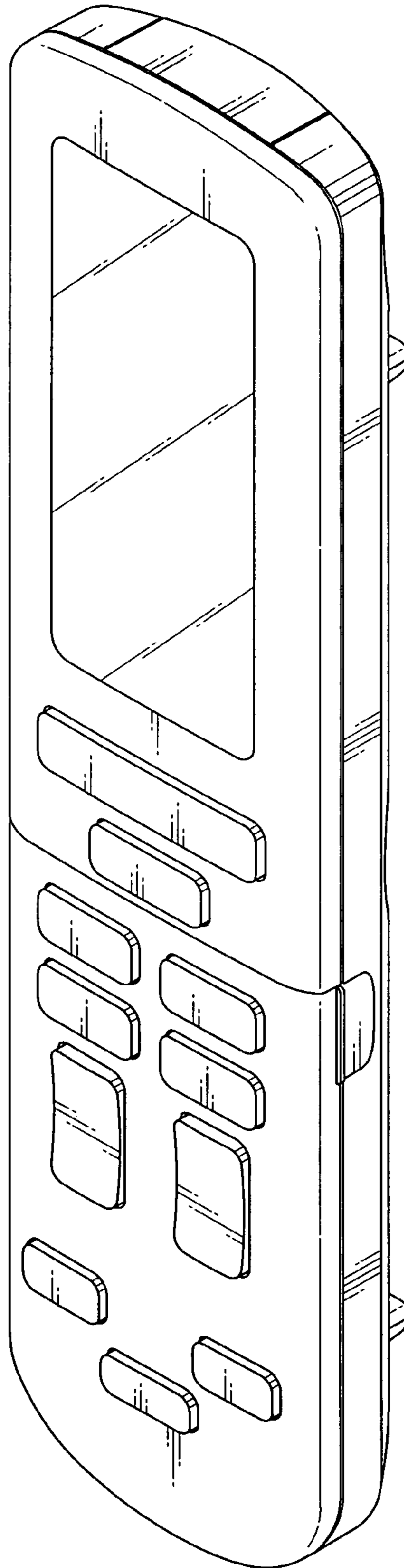


Fig. 2

Fig. 3

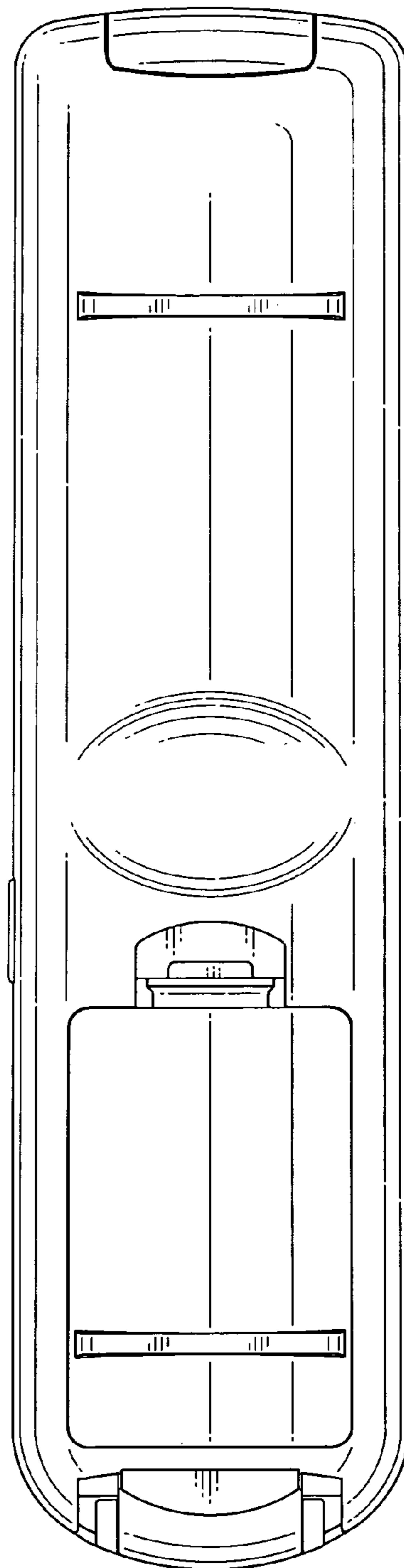
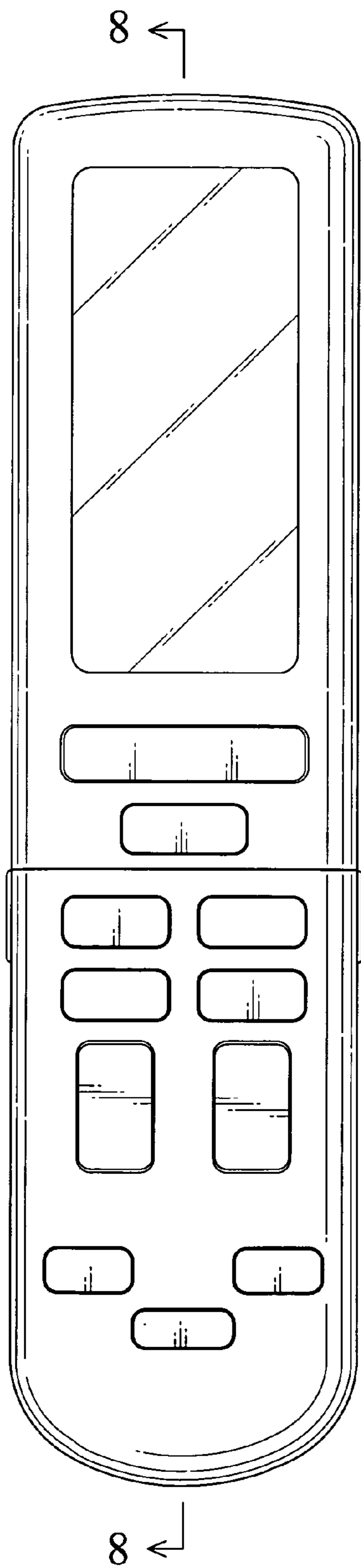


Fig. 4

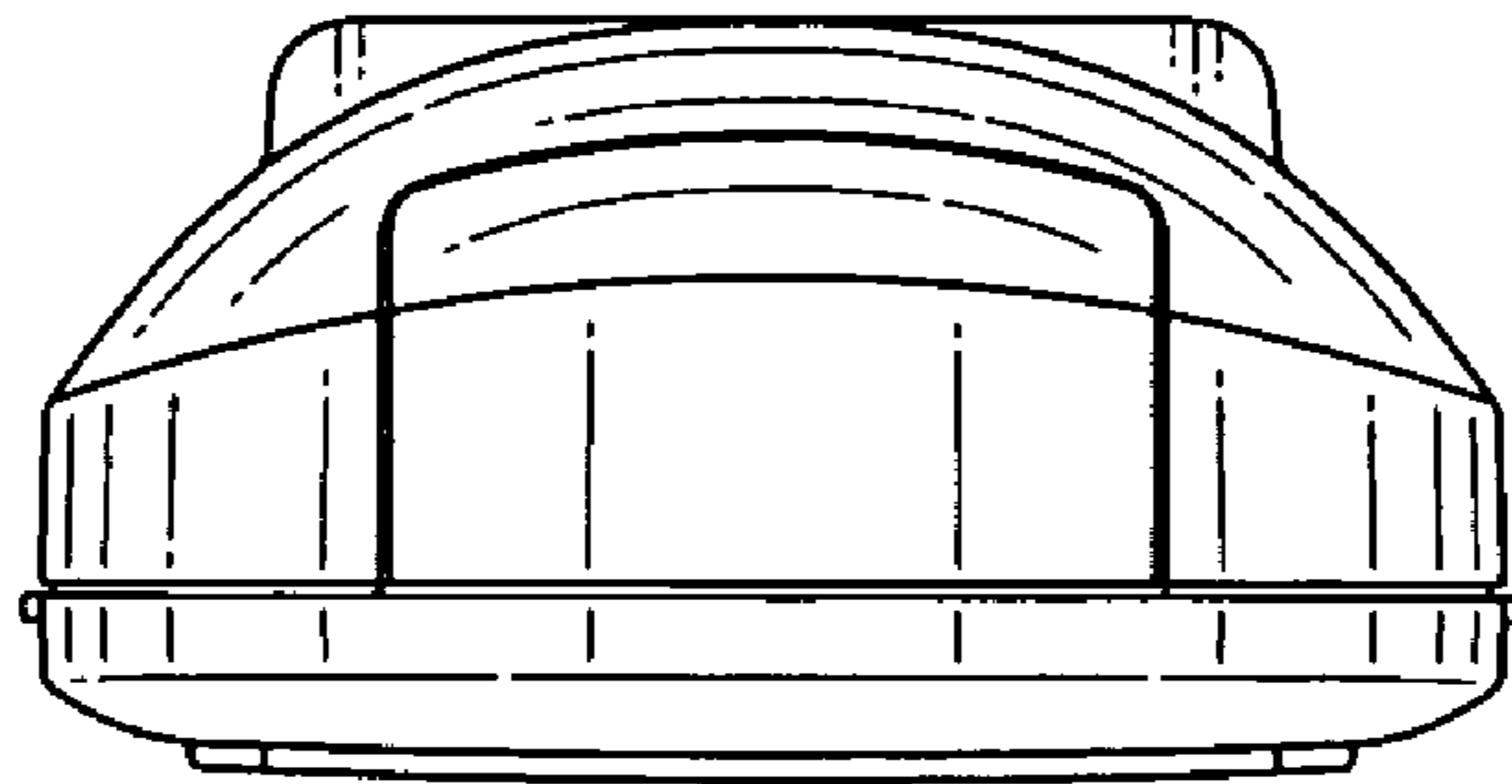


Fig. 5

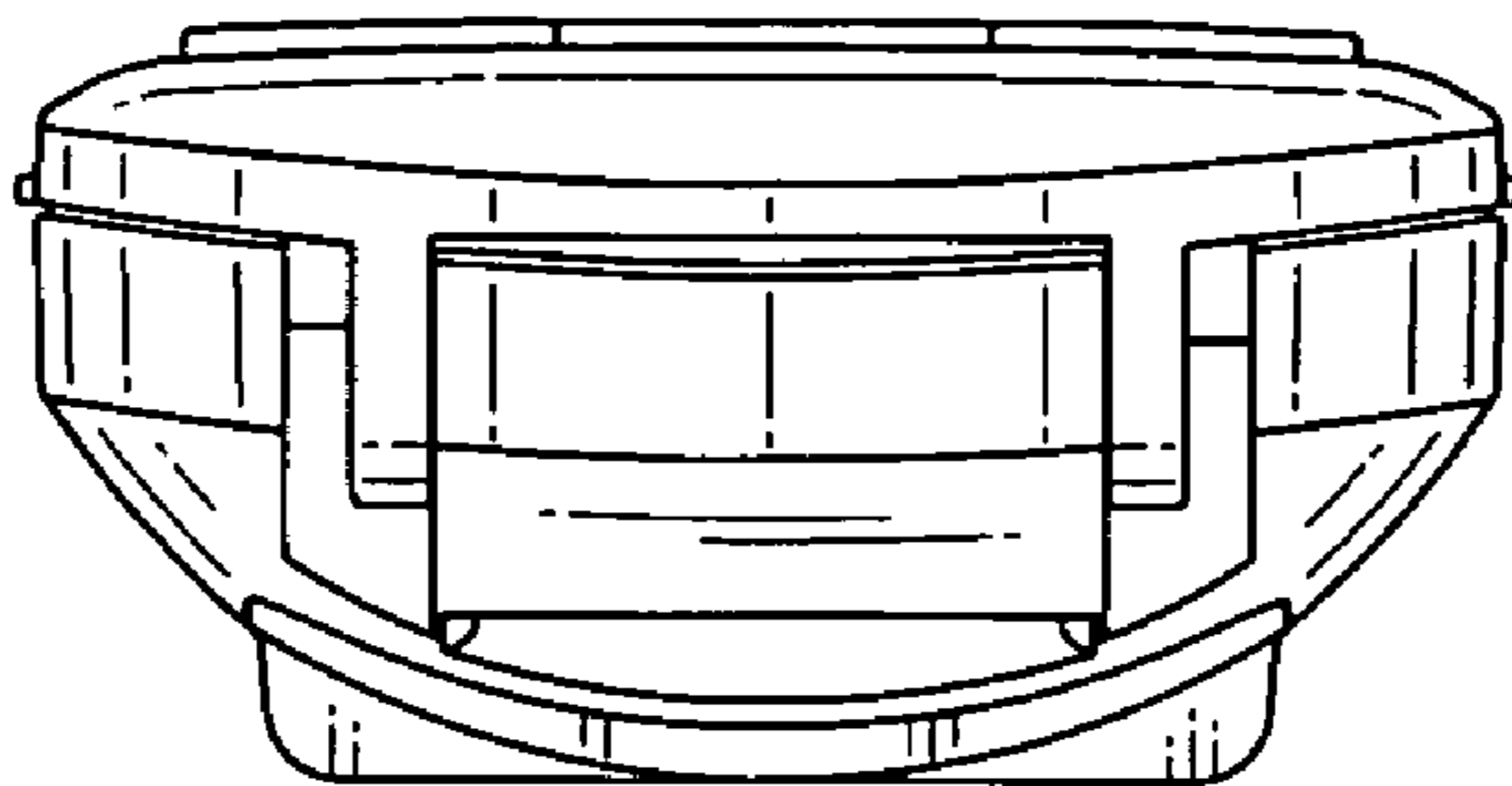


Fig. 6

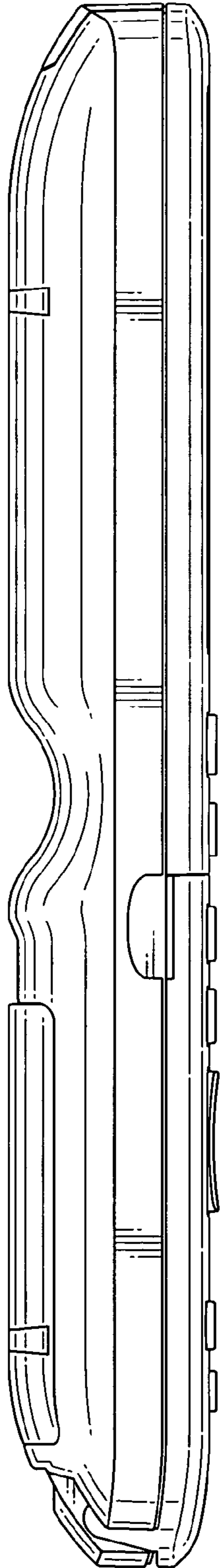


Fig. 7

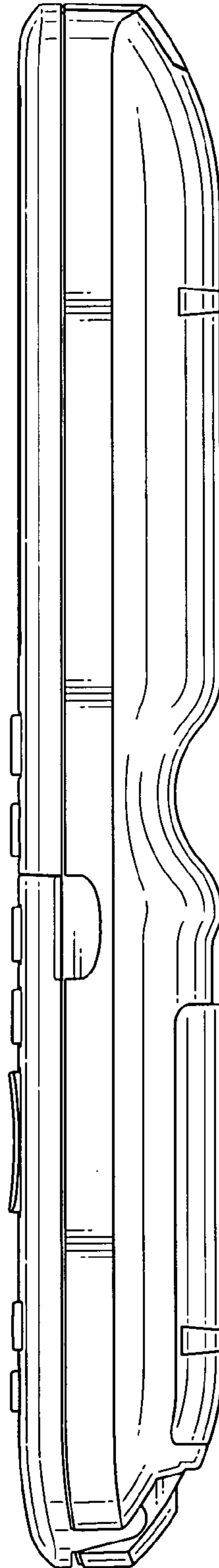


Fig. 8

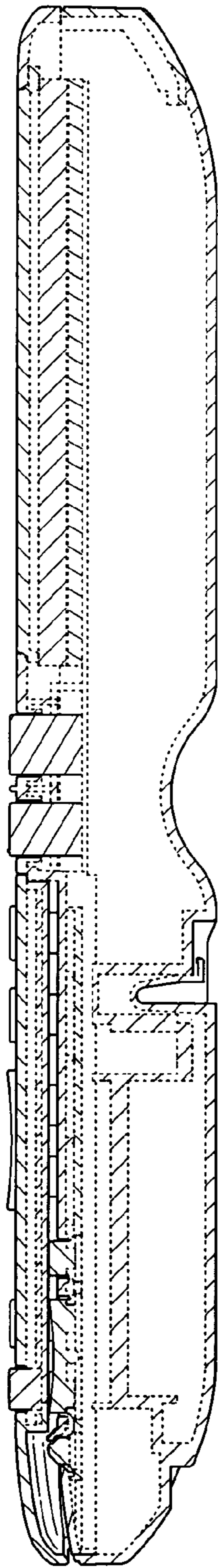


Fig. 9

