

US00D667796S

(12) **United States Design Patent**  
**Boussekey**

(10) **Patent No.:** **US D667,796 S**

(45) **Date of Patent:** **\*\* Sep. 25, 2012**

(54) **PROTECTIVE CASING FOR ELECTRICAL DEVICES**

(75) Inventor: **Pierre Boussekey**, Villefontaine (FR)

(73) Assignee: **Tecumseh Europe S.A.**, Vaulx Milieu (FR)

(\*\*) Term: **14 Years**

(21) Appl. No.: **29/375,843**

(22) Filed: **Sep. 28, 2010**

(30) **Foreign Application Priority Data**

Mar. 29, 2010 (EM) ..... 001688326

(51) **LOC (9) Cl.** ..... **13-03**

(52) **U.S. Cl.** ..... **D13/156**

(58) **Field of Classification Search** ..... D13/156,  
D13/133, 146, 152, 154, 155, 160, 184, 199;  
439/180, 252, 269.1, 278, 374, 378, 527,  
439/529, 533, 892, 894, 901

See application file for complete search history.

(56) **References Cited**

**U.S. PATENT DOCUMENTS**

D284,076 S \* 6/1986 Moeller ..... D13/184  
D286,766 S \* 11/1986 Gallusser et al. .... D13/152

D286,770 S \* 11/1986 Melcher ..... D13/184  
D338,445 S \* 8/1993 Lamont ..... D13/156  
D464,325 S \* 10/2002 Peters et al. .... D13/156  
D529,447 S \* 10/2006 Greenfield ..... D13/156  
D601,098 S \* 9/2009 Phelps ..... D13/156

\* cited by examiner

*Primary Examiner* — Derrick Holland

(74) *Attorney, Agent, or Firm* — Oblon, Spivak, McClelland, Maier & Neustadt, L.L.P.

(57) **CLAIM**

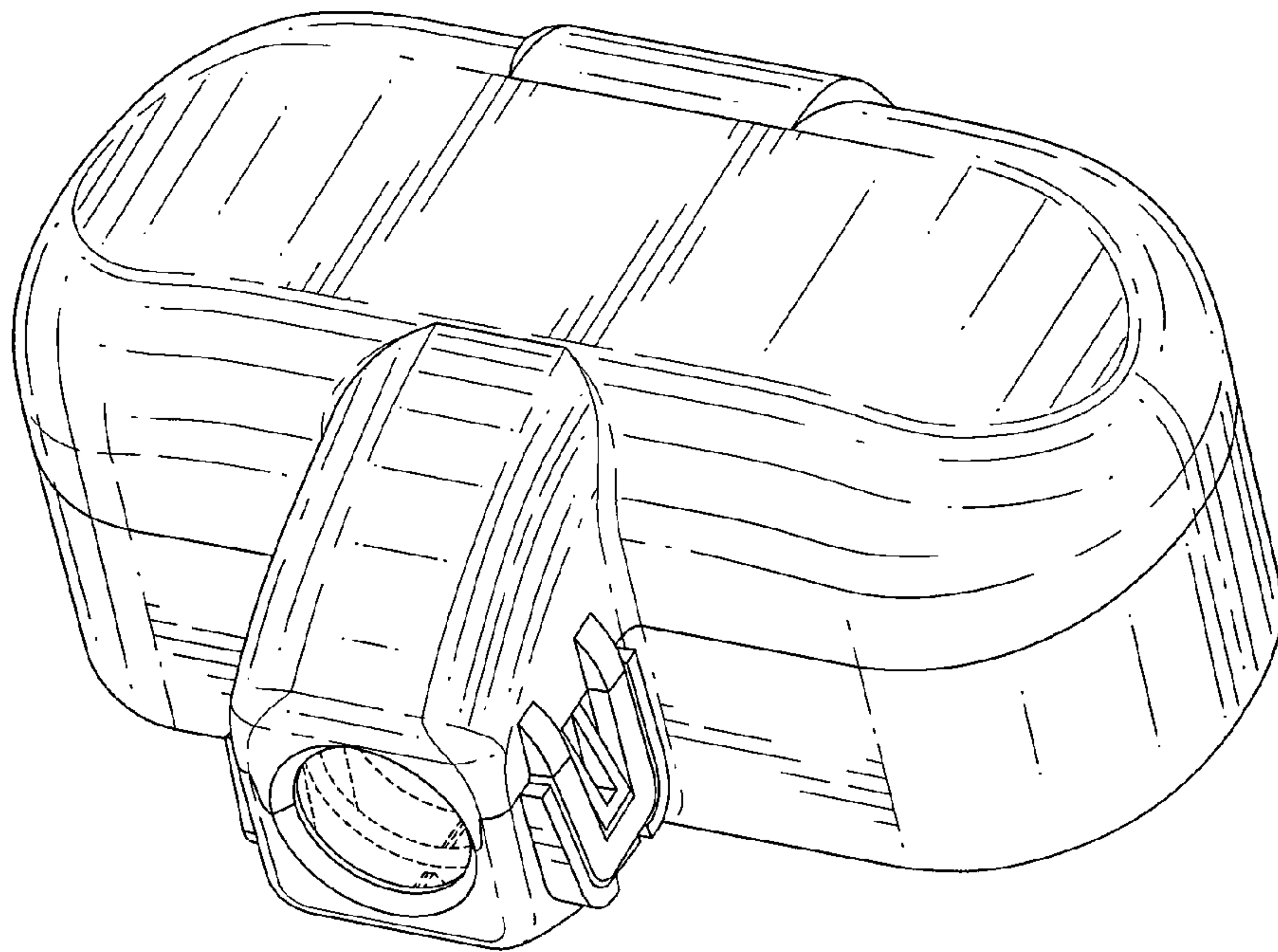
The ornamental design for a protective casing for electrical devices, as shown and described.

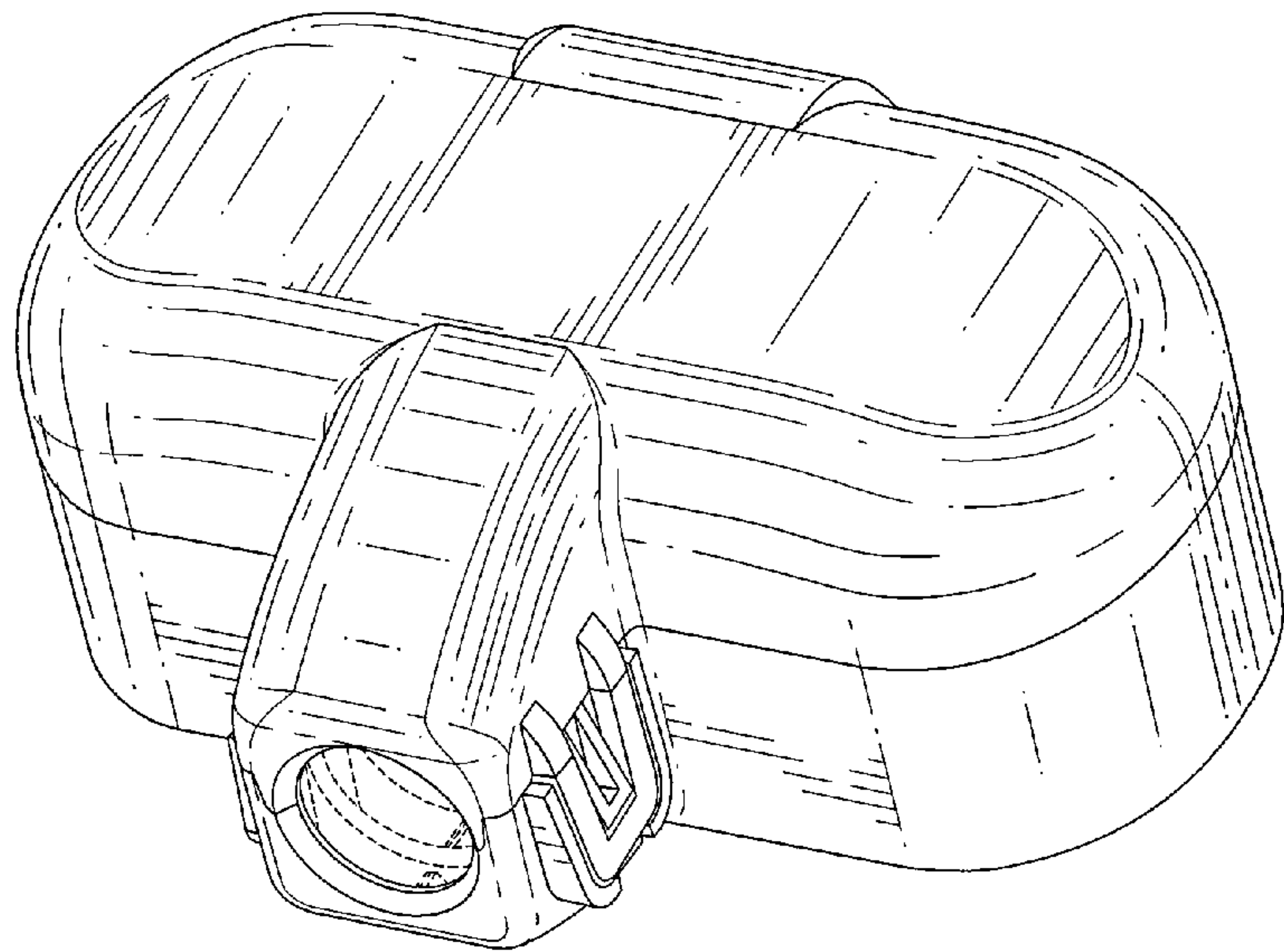
**DESCRIPTION**

FIG. 1 is a front, top, and right side perspective view of protective casing for electrical devices;  
FIG. 2 is a front elevational view thereof;  
FIG. 3 is a rear elevational view thereof;  
FIG. 4 is a top plan view thereof;  
FIG. 5 is a bottom plan view thereof;  
FIG. 6 is a left side elevational view thereof; and,  
FIG. 7 is a right side elevational view thereof.

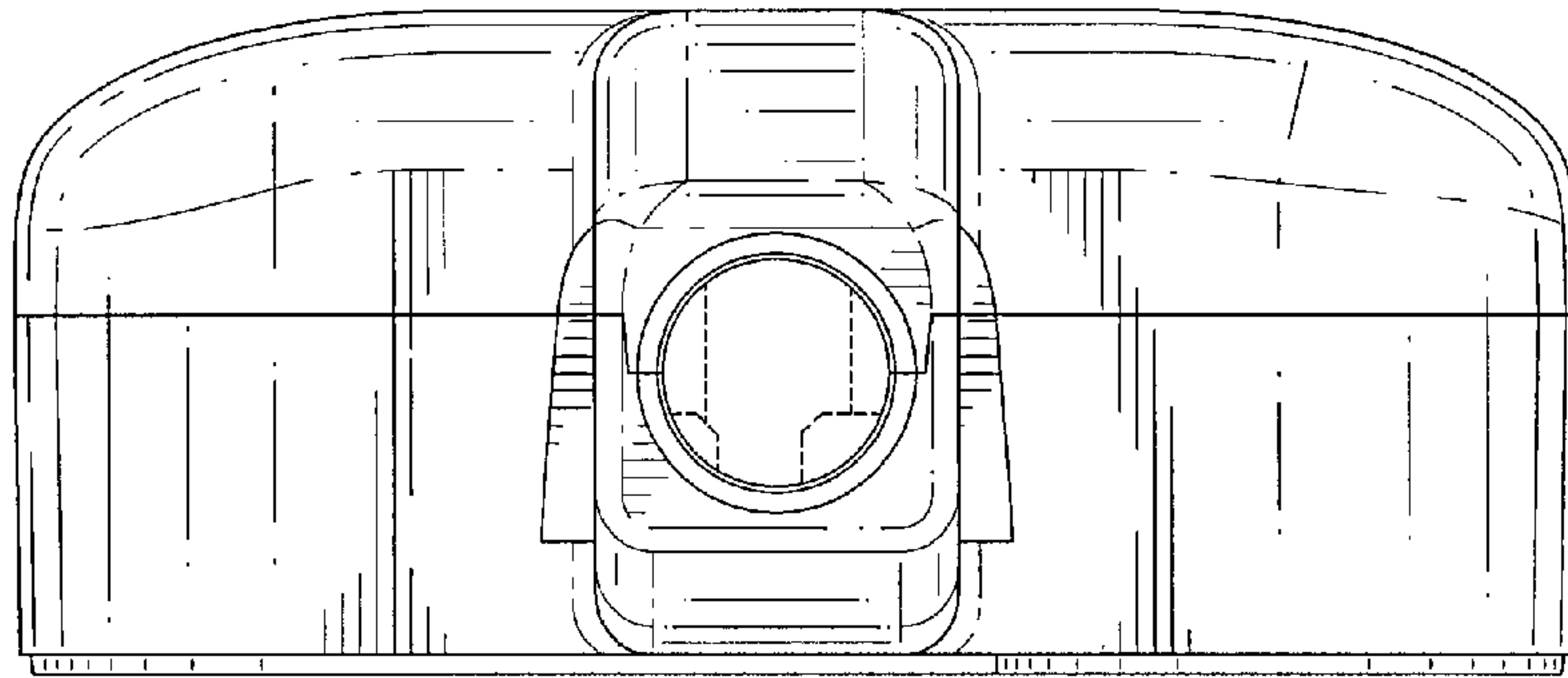
The broken lines in the drawings depict environmental subject matter only and form no part of the claimed design.

**1 Claim, 7 Drawing Sheets**

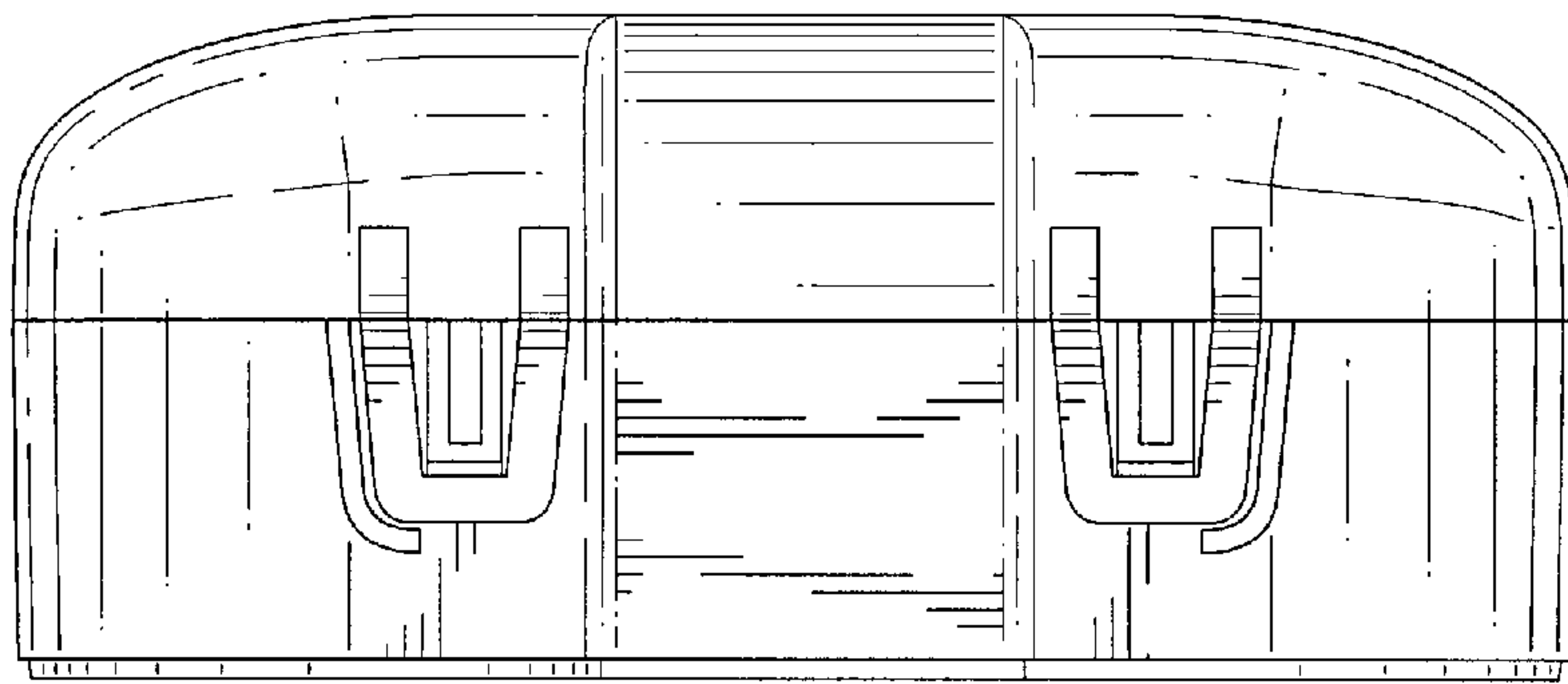




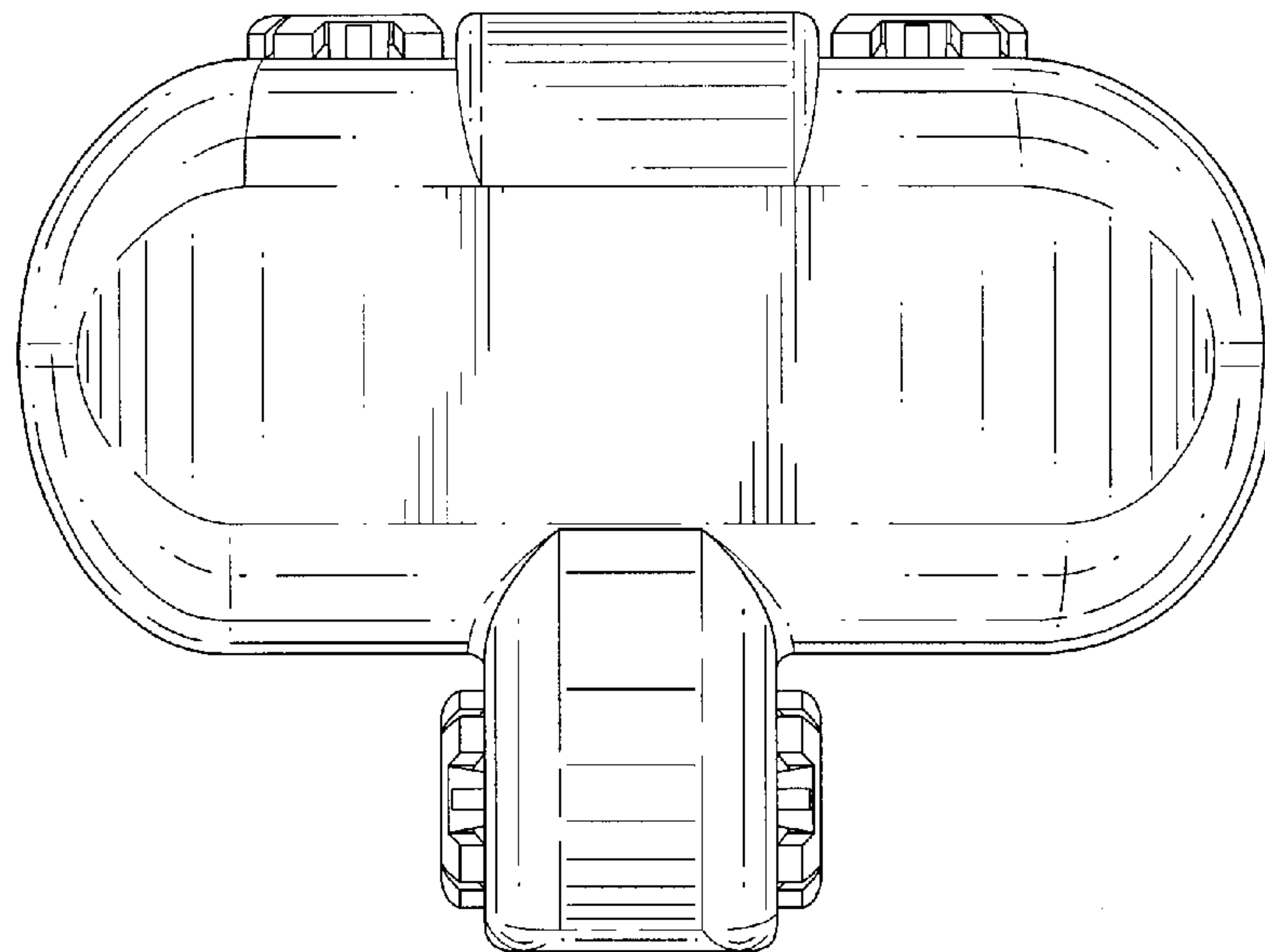
***FIG.1***



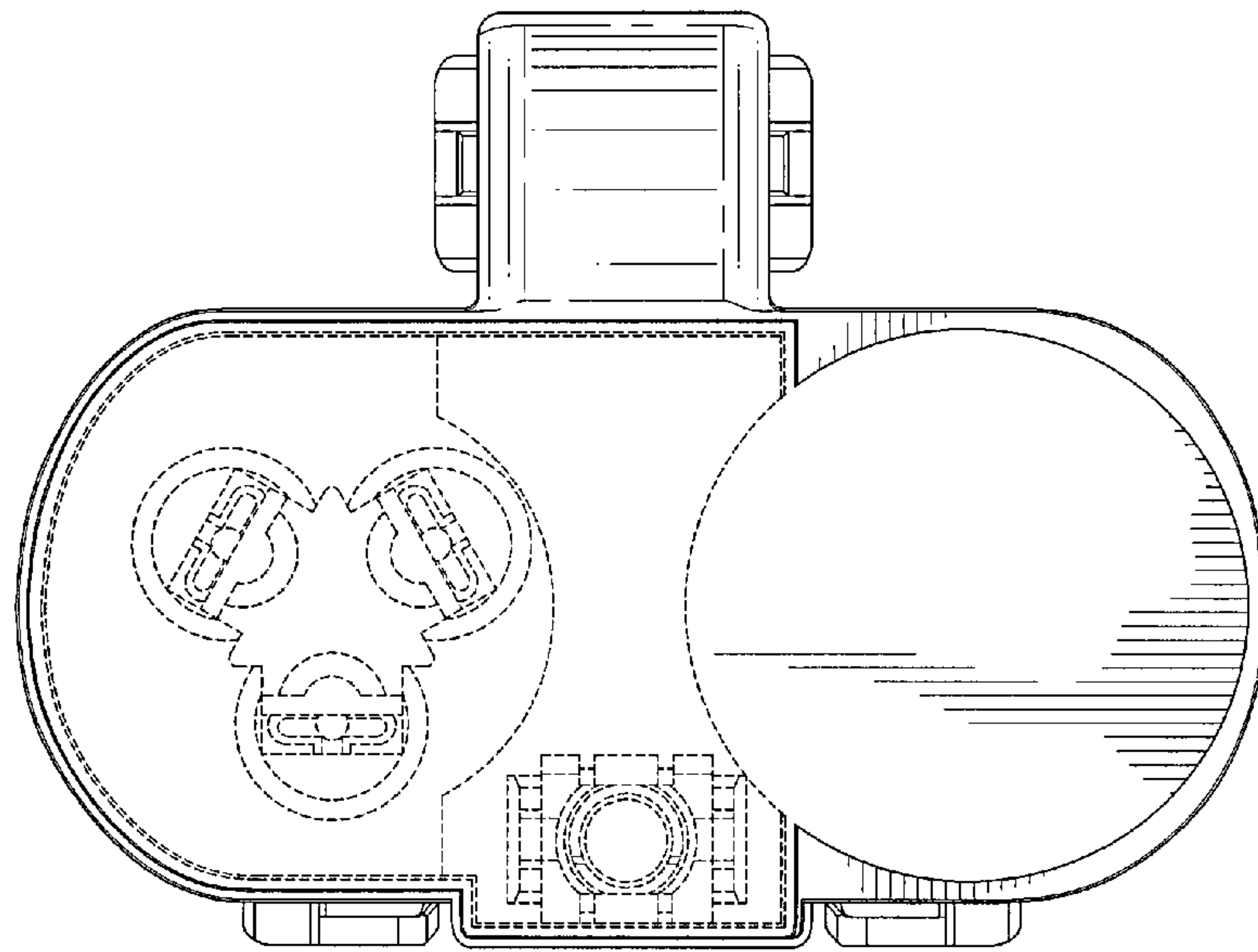
***FIG.2***



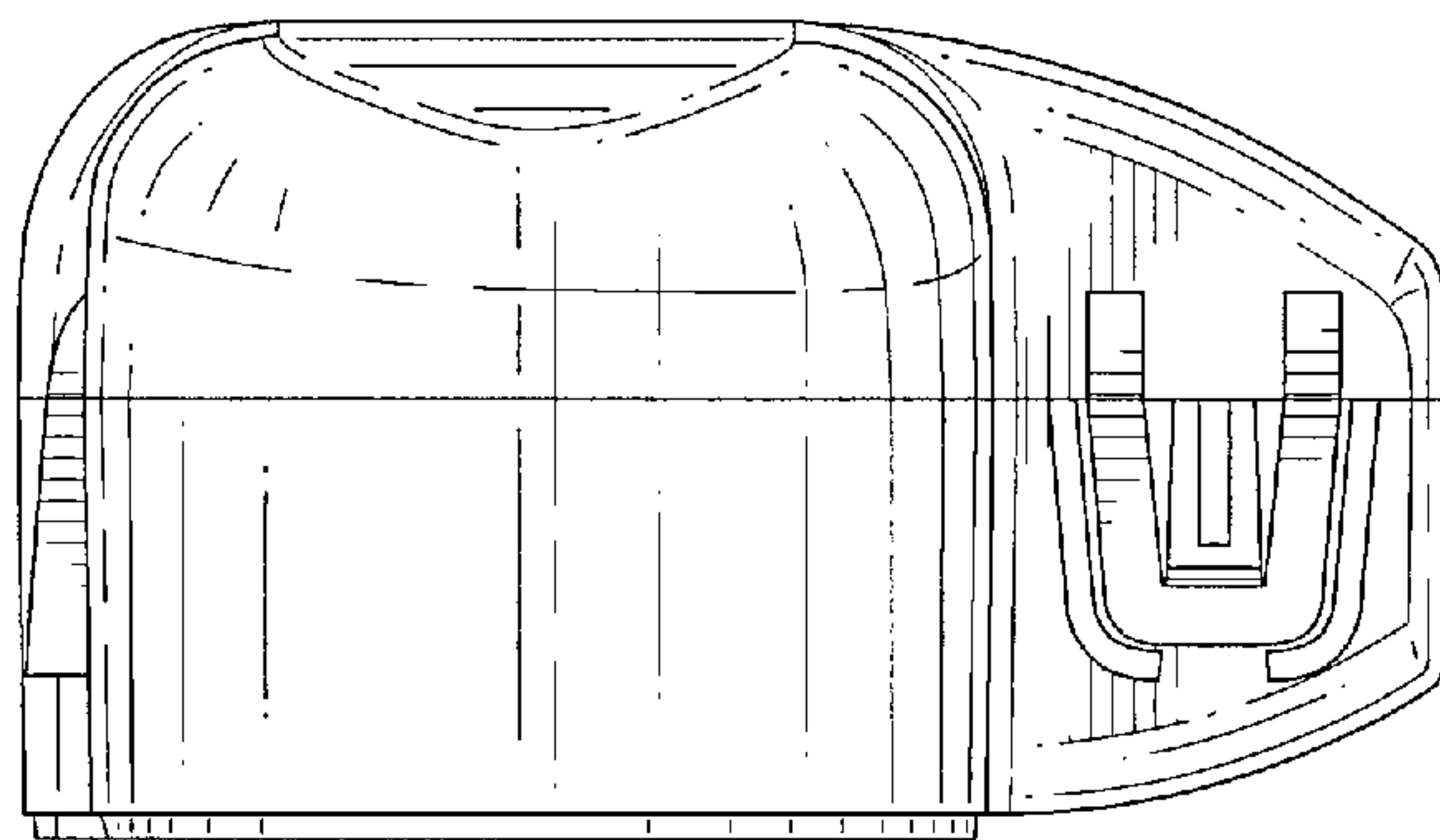
***FIG.3***



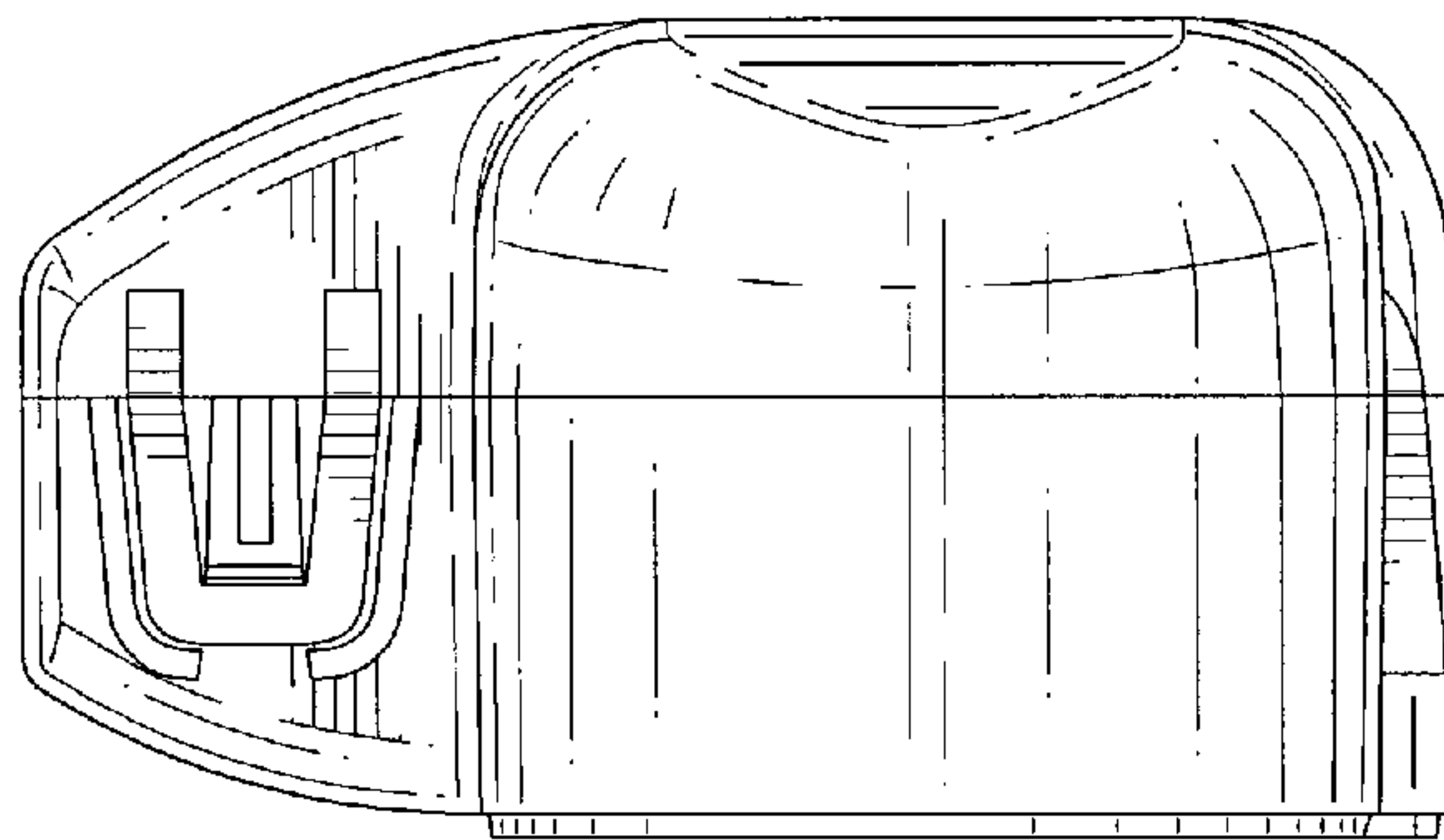
***FIG.4***



***FIG. 5***



***FIG. 6***



***FIG. 7***