

US00D667794S

(12) **United States Design Patent**  
**Junko et al.**

(10) **Patent No.:** **US D667,794 S**  
(45) **Date of Patent:** **\*\* Sep. 25, 2012**

(54) **ELECTRICAL OUTLET RECEPTACLE**

(75) Inventors: **Theodore P. Junko**, Manlius, NY (US);  
**Phillip D. Prestigomo**, Simsbury, CT  
(US); **Richard M. Rohmer**, Jordan, NY  
(US)

(73) Assignee: **Pass & Seymour, Inc.**, Syracuse, NY  
(US)

(\*\*) Term: **14 Years**

(21) Appl. No.: **29/406,307**

(22) Filed: **Nov. 11, 2011**

(51) **LOC (9) Cl.** ..... **13-03**

(52) **U.S. Cl.** ..... **D13/139.1**

(58) **Field of Classification Search** ..... D13/137.1,  
D13/137.2, 137.3, 137.4, 138.1, 138.2, 139.1,  
D13/139.2, 139.3, 139.4, 139.5, 139.6, 139.7,  
D13/139.8, 101, 110, 123, 107, 108, 133,  
D13/154, 184, 199; 439/131, 166, 628, 101,  
439/102, 105, 106, 108, 172, 173, 174, 175,  
439/177, 476.1, 578, 583, 620.15, 620.17;  
363/15, 146, 34; 307/151; 320/111, 114;  
174/493, 494, 66, 67

See application file for complete search history.

(56) **References Cited**

U.S. PATENT DOCUMENTS

5,135,411 A \* 8/1992 Wiley et al. .... 439/535

(Continued)

*Primary Examiner* — Angela J Lee

(74) *Attorney, Agent, or Firm* — Daniel P. Malley; Bond  
Schoeneck & King

(57) **CLAIM**

The ornamental design for an electrical outlet receptacle, as  
shown and described.

**DESCRIPTION**

FIG. 1 is a plan view of the electrical outlet receptacle shown  
within an environmental wall plate in accordance with a first

embodiment of the design, all of the alternative embodiments  
described below are dimensionally the same or similar to the  
embodiment of FIG. 1, the scale of FIG. 1 being smaller to  
accommodate the unclaimed environmental wall plate;

FIG. 2 is an isometric view of the ornamental design shown in  
FIG. 1;

FIG. 3 is a plan view of the electrical outlet receptacle in  
accordance with an alternate second embodiment of the  
design;

FIG. 4 is an isometric view of the ornamental design shown in  
FIG. 3;

FIG. 5 is a plan view of the electrical outlet receptacle in  
accordance with an alternate third embodiment of the design;

FIG. 6 is an isometric view of the ornamental design shown in  
FIG. 5;

FIG. 7 is a plan view of the electrical outlet receptacle in  
accordance with an alternate fourth embodiment of the  
design;

FIG. 8 is an isometric view of the ornamental design shown in  
FIG. 7;

FIG. 9 is a plan view of the electrical outlet receptacle in  
accordance with an alternate fifth embodiment of the design;

FIG. 10 is an isometric view of the ornamental design shown  
in FIG. 9;

FIG. 11 is a plan view of the electrical outlet receptacle in  
accordance with an alternate sixth embodiment of the design;

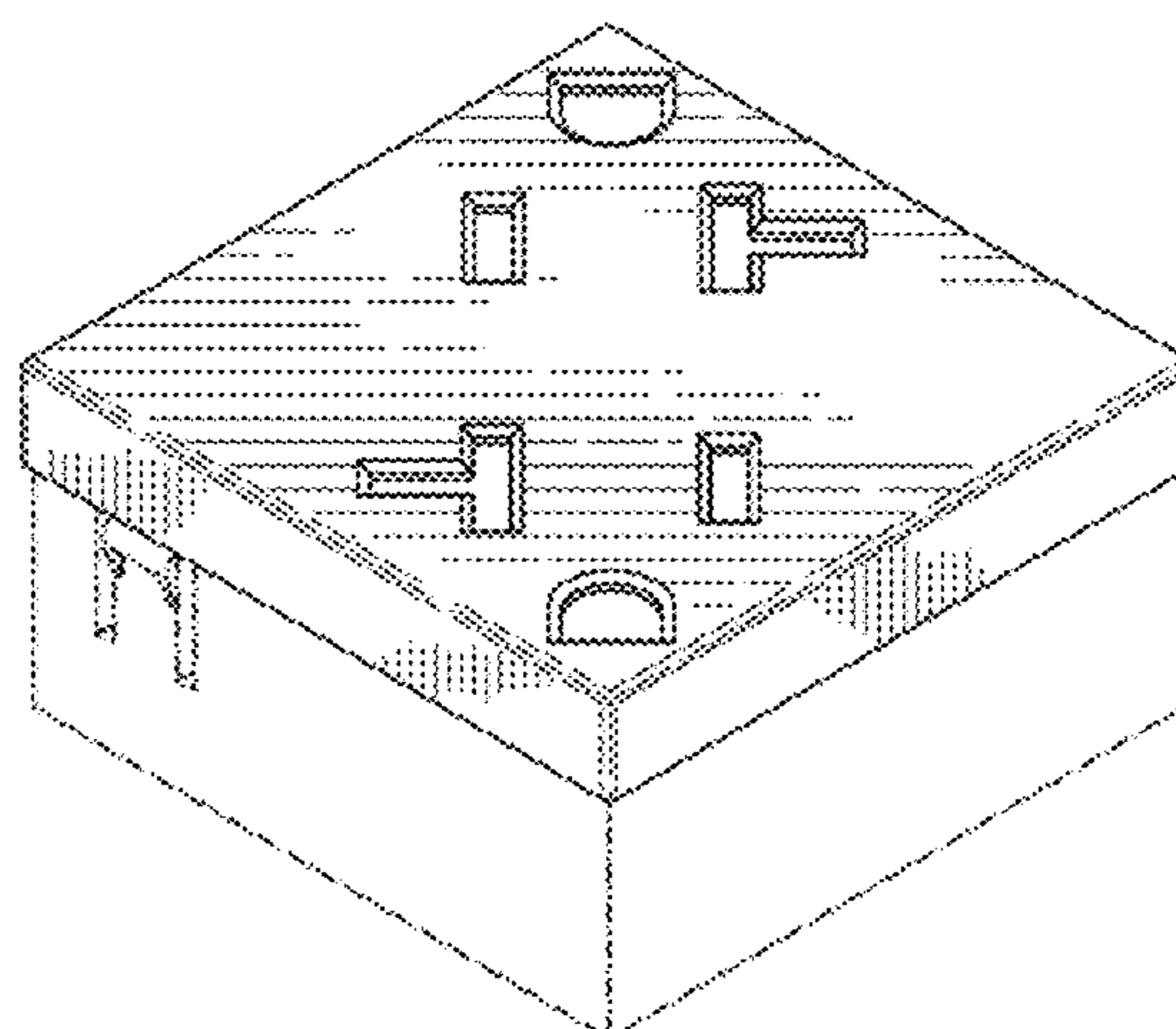
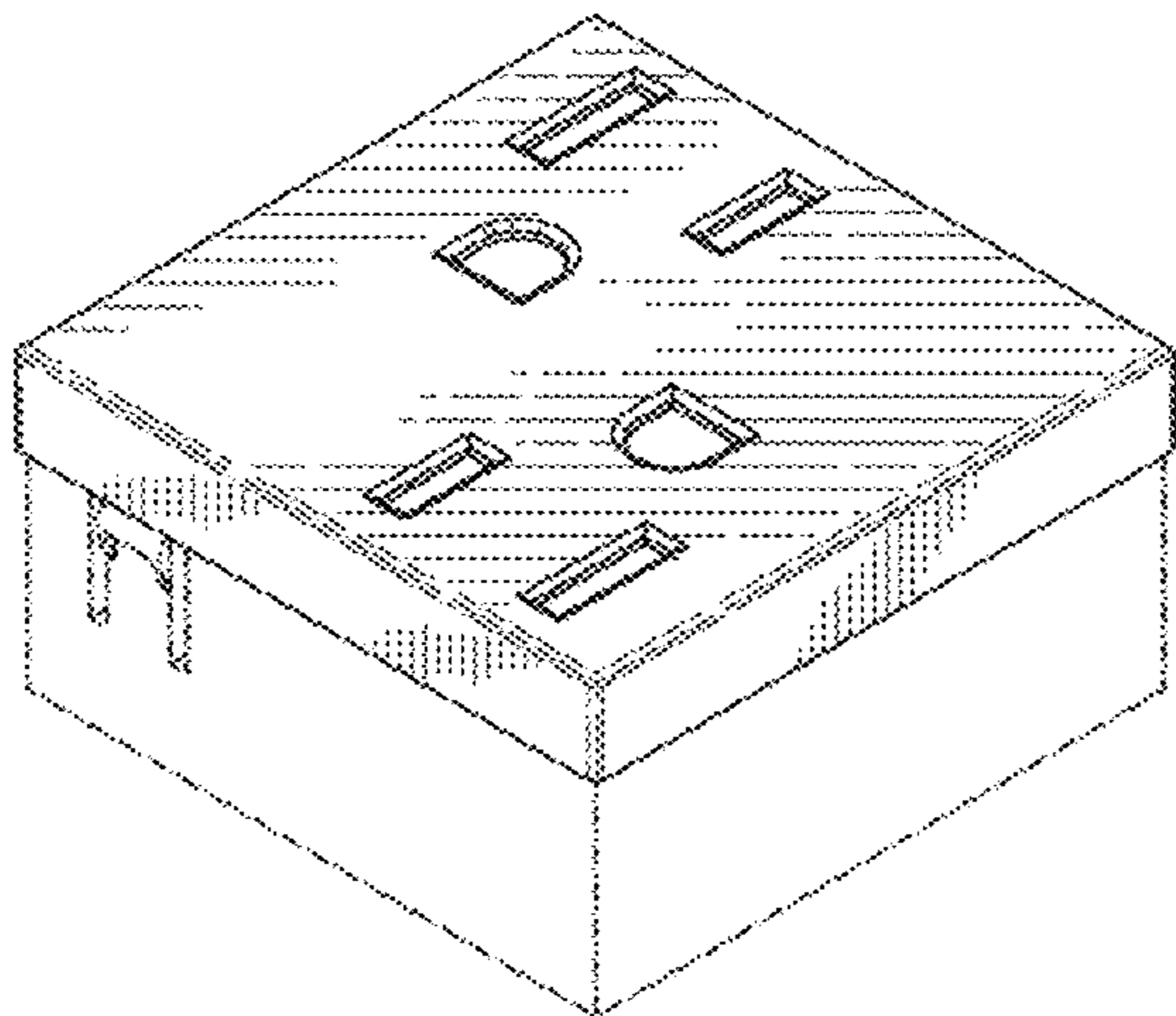
FIG. 12 is an isometric view of the ornamental design shown  
in FIG. 11.

FIG. 13 is a plan view of the electrical outlet receptacle in  
accordance with an alternate seventh embodiment of the  
design; and,

FIG. 14 is an isometric view of the ornamental design shown  
in FIG. 13.

The broken lines shown in the drawings represent portions of  
the electrical outlet receptacle that form no part of the claimed  
design.

**1 Claim, 8 Drawing Sheets**



# US D667,794 S

Page 2

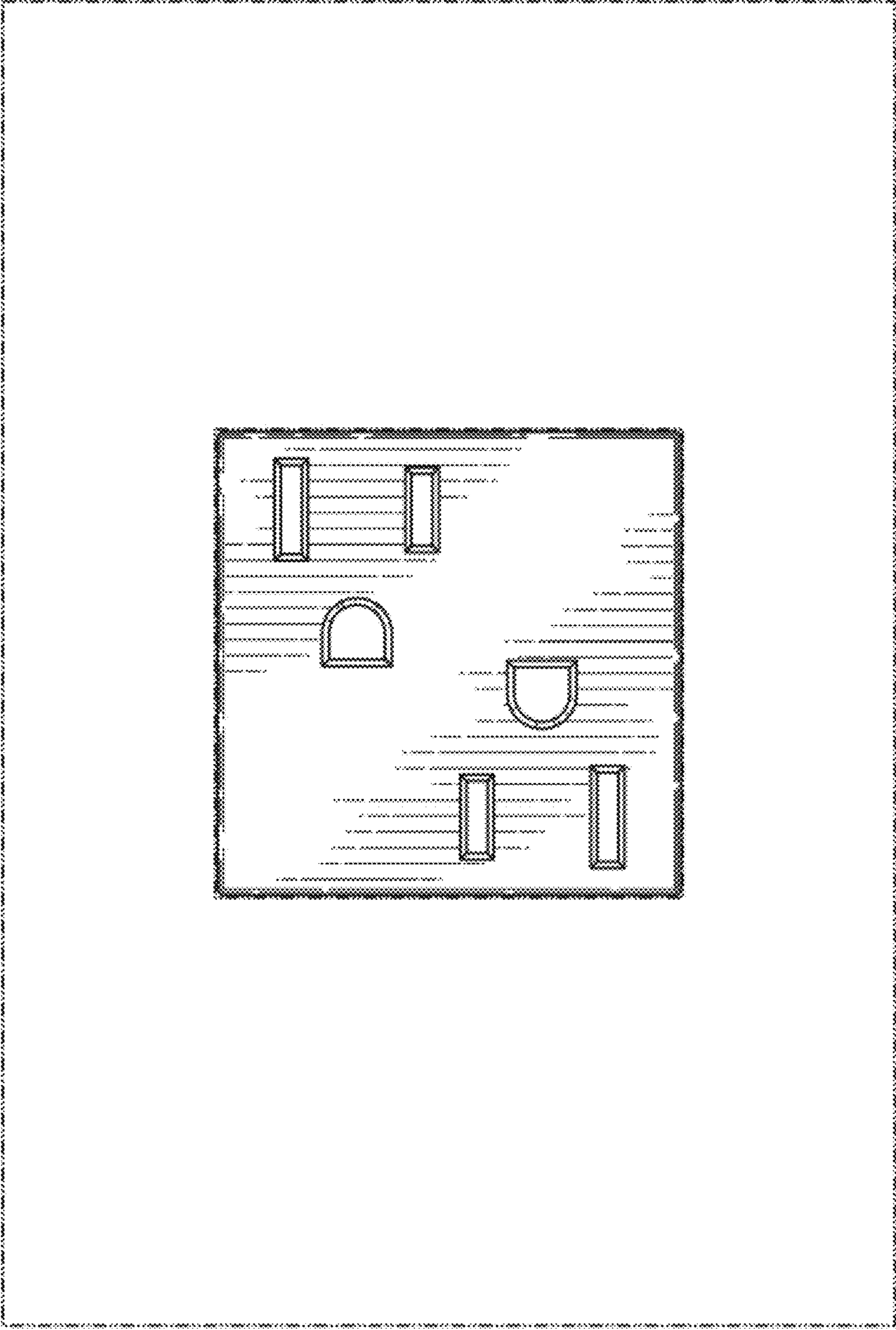
---

## U.S. PATENT DOCUMENTS

D357,460 S *	4/1995	Lovett .....	D13/139.1	7,785,139 B1 *	8/2010	Draggie et al. ....	439/535
D367,643 S *	3/1996	Vardell .....	D13/139.7	7,824,196 B1 *	11/2010	Oddsens et al. ....	439/106
D379,796 S *	6/1997	Bagga .....	D13/139.4	D631,440 S *	1/2011	Lamoureux et al. ....	D13/139.1
D390,826 S *	2/1998	Bates .....	D13/139.1	D642,529 S *	8/2011	Su et al. ....	D13/139.8
D609,643 S *	2/2010	Oddsens et al. ....	D13/139.1	D645,404 S *	9/2011	Chuang .....	D13/139.1
D614,572 S *	4/2010	Oddsens et al. ....	D13/139.1	2007/0149061 A1 *	6/2007	Oddsens et al. ....	439/651

\* cited by examiner

Fig. 1



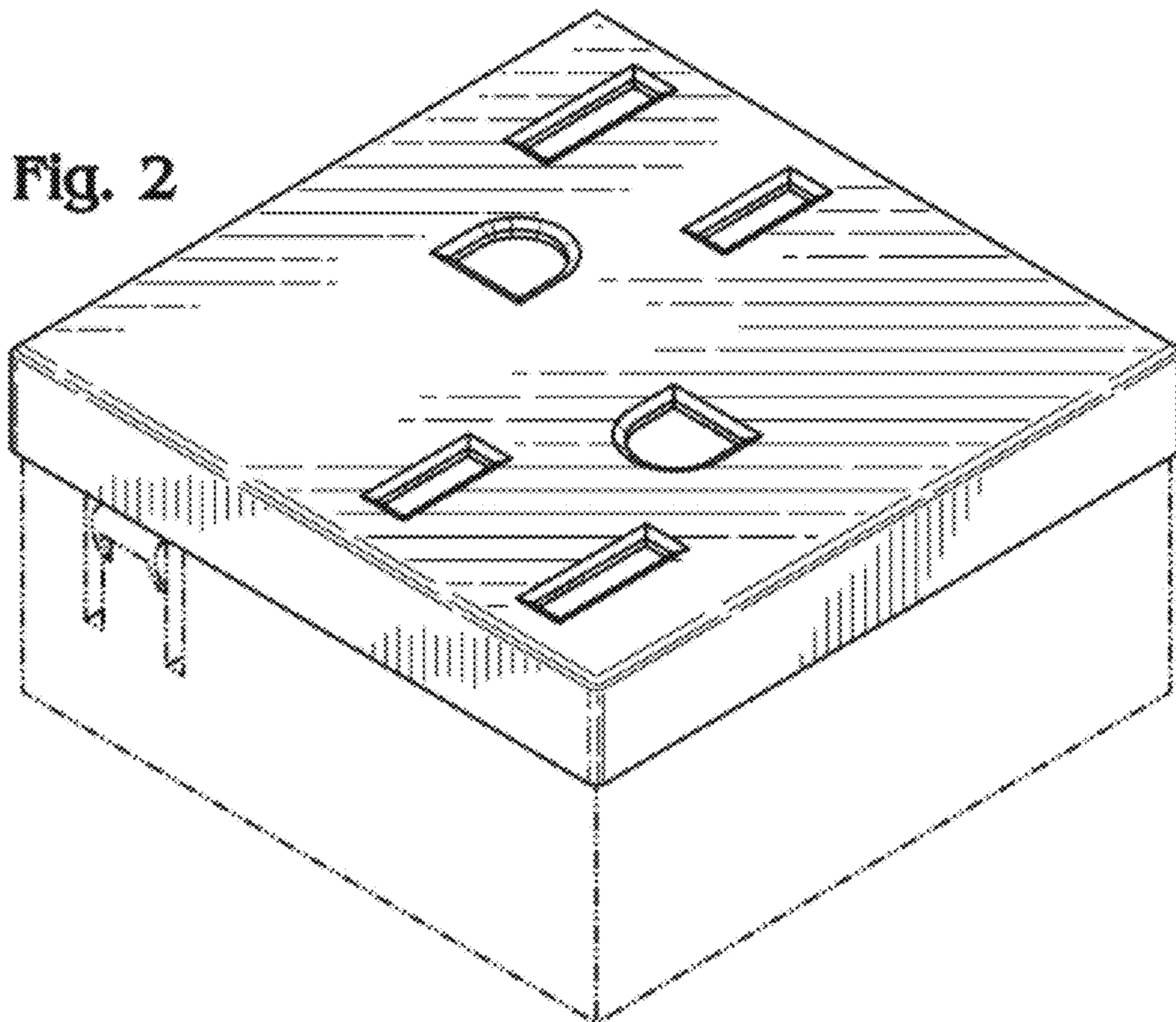


Fig. 3

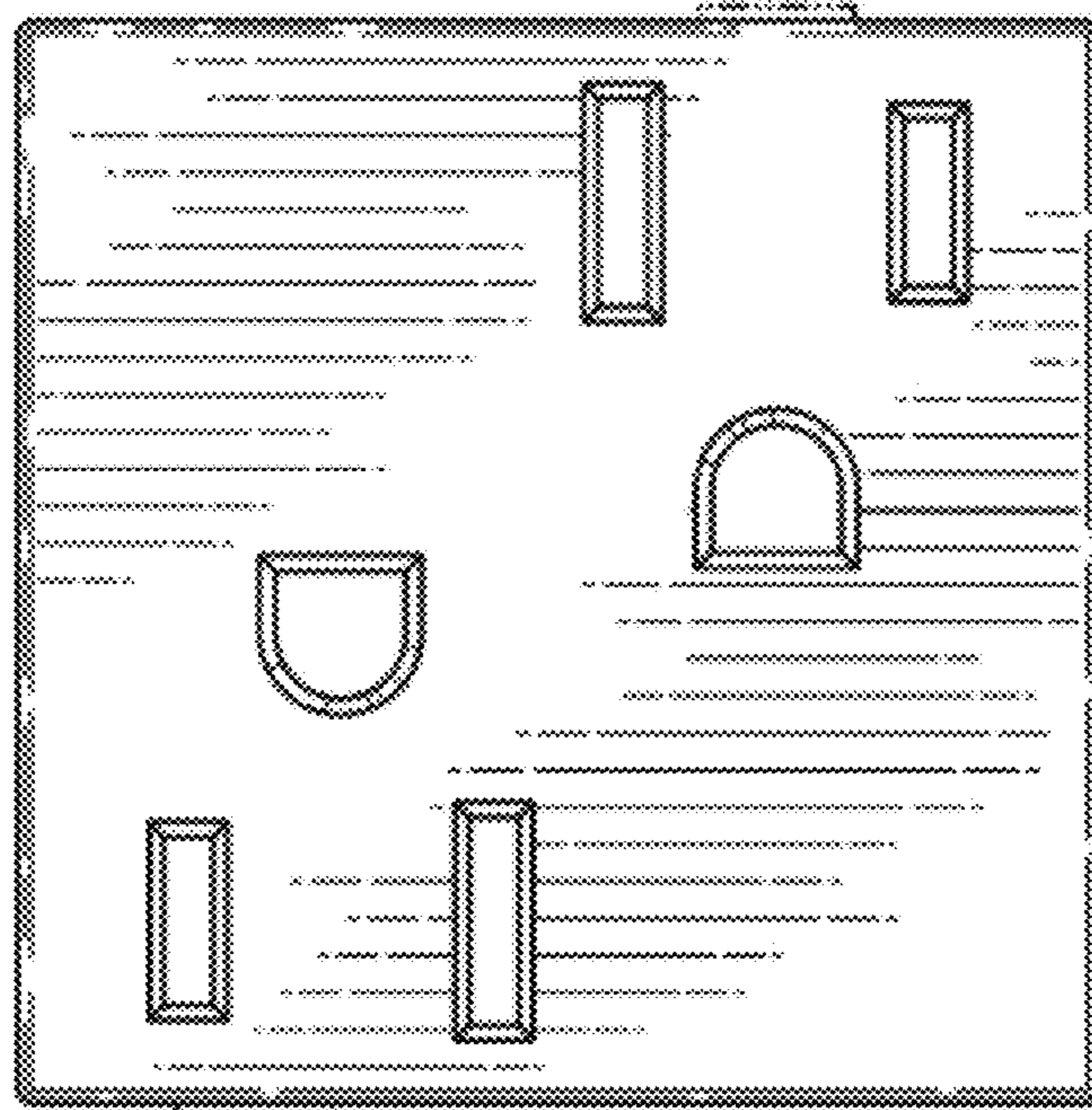


Fig. 4

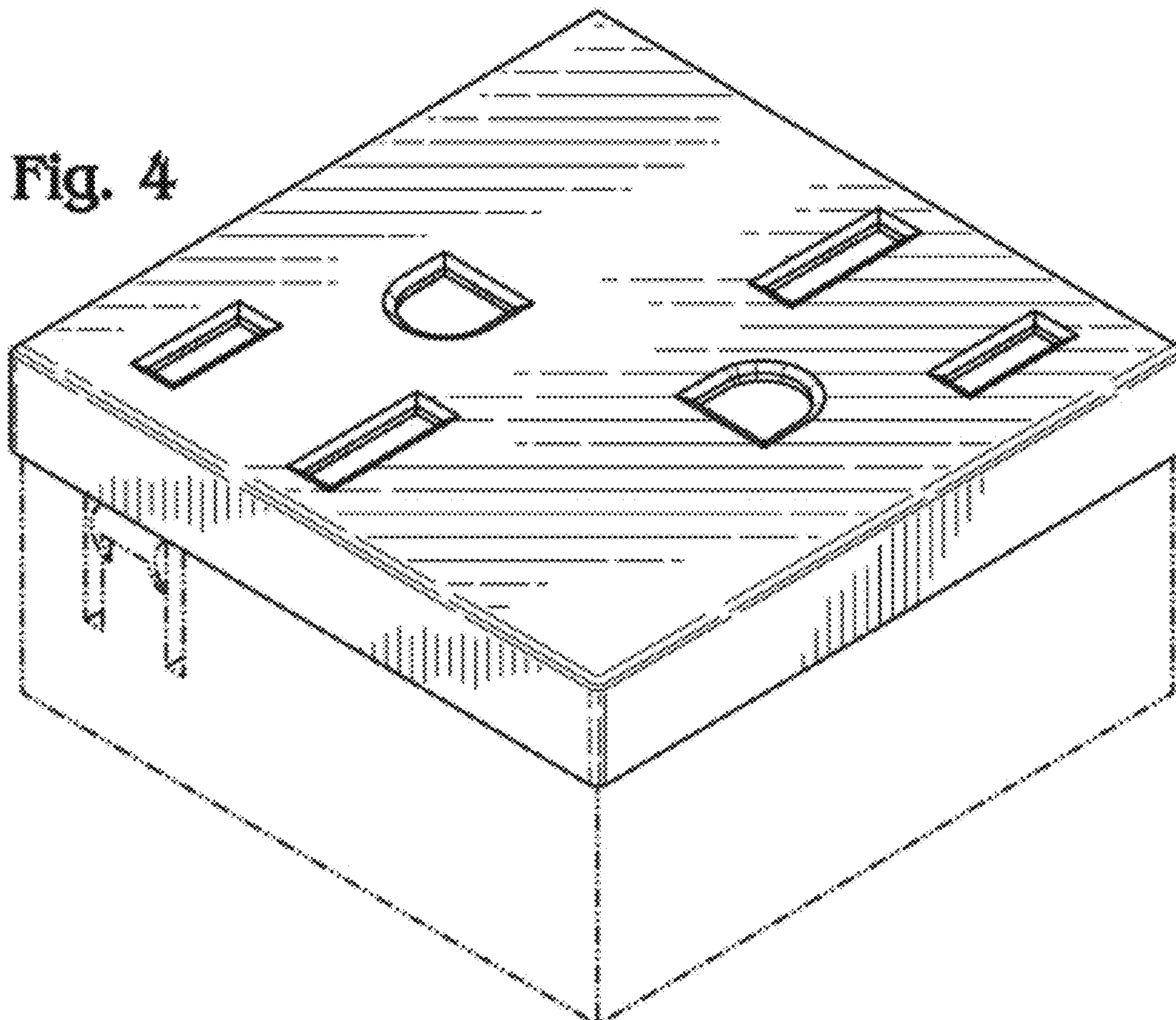


Fig. 5

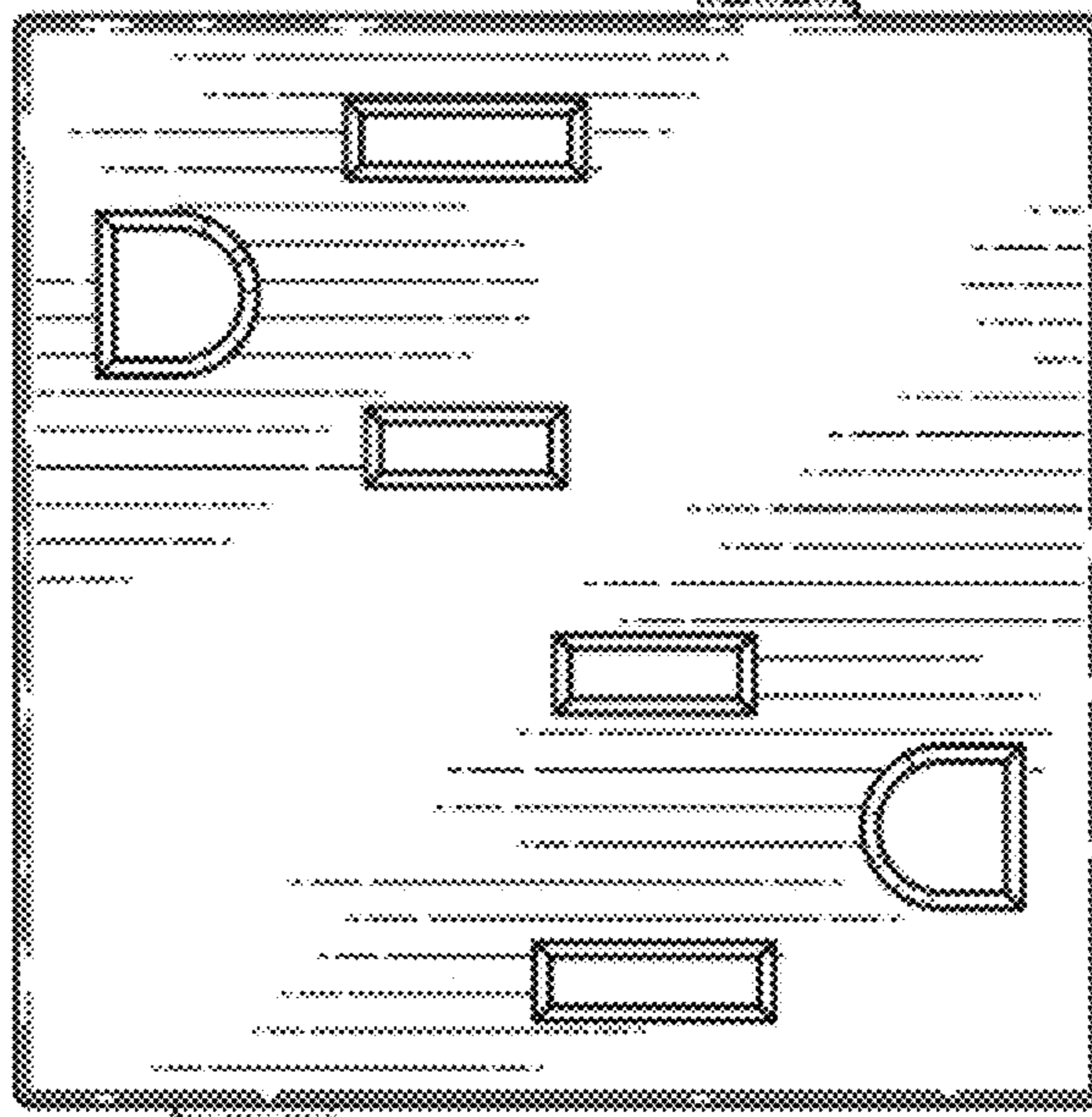


Fig. 6

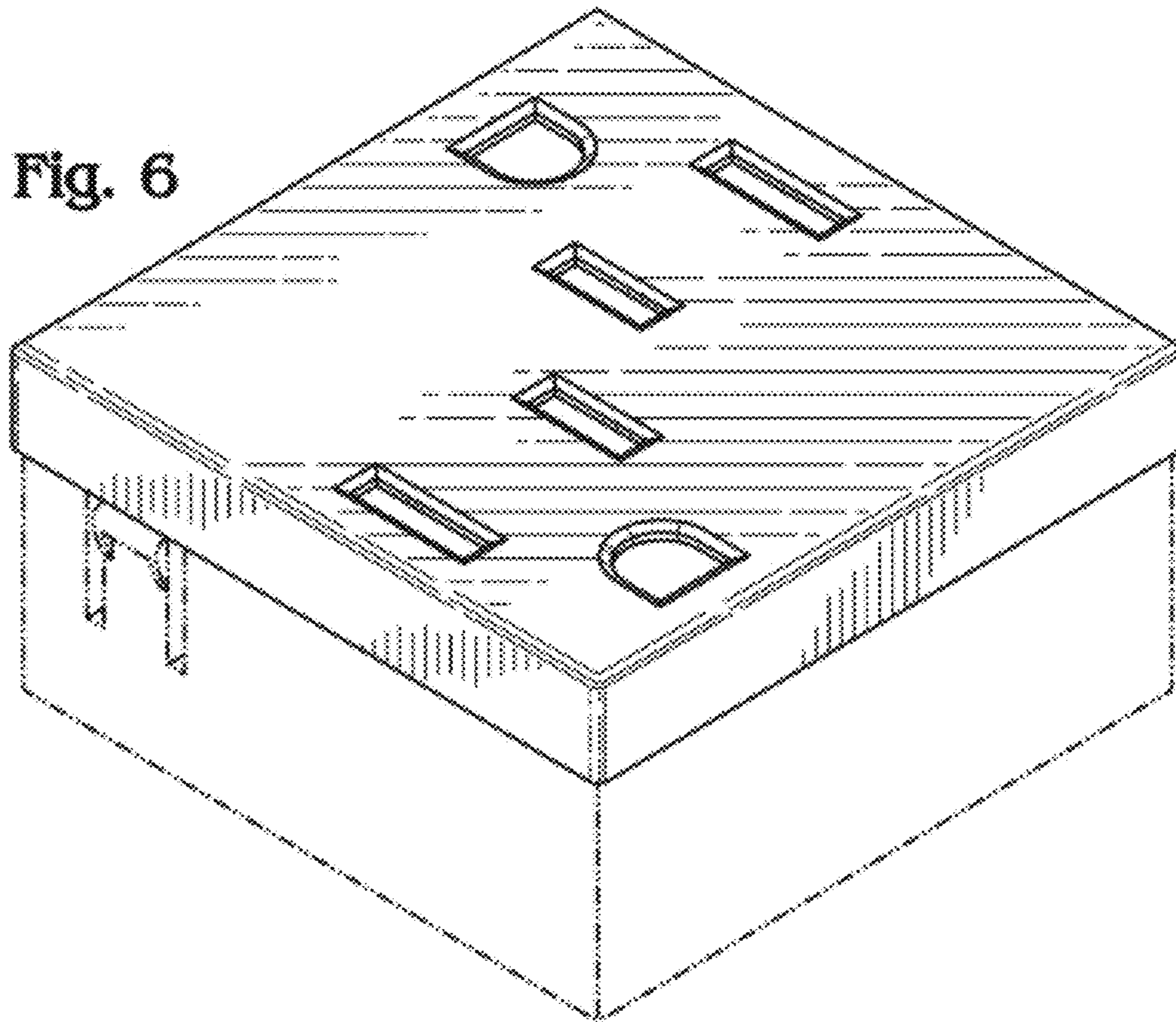


Fig. 7

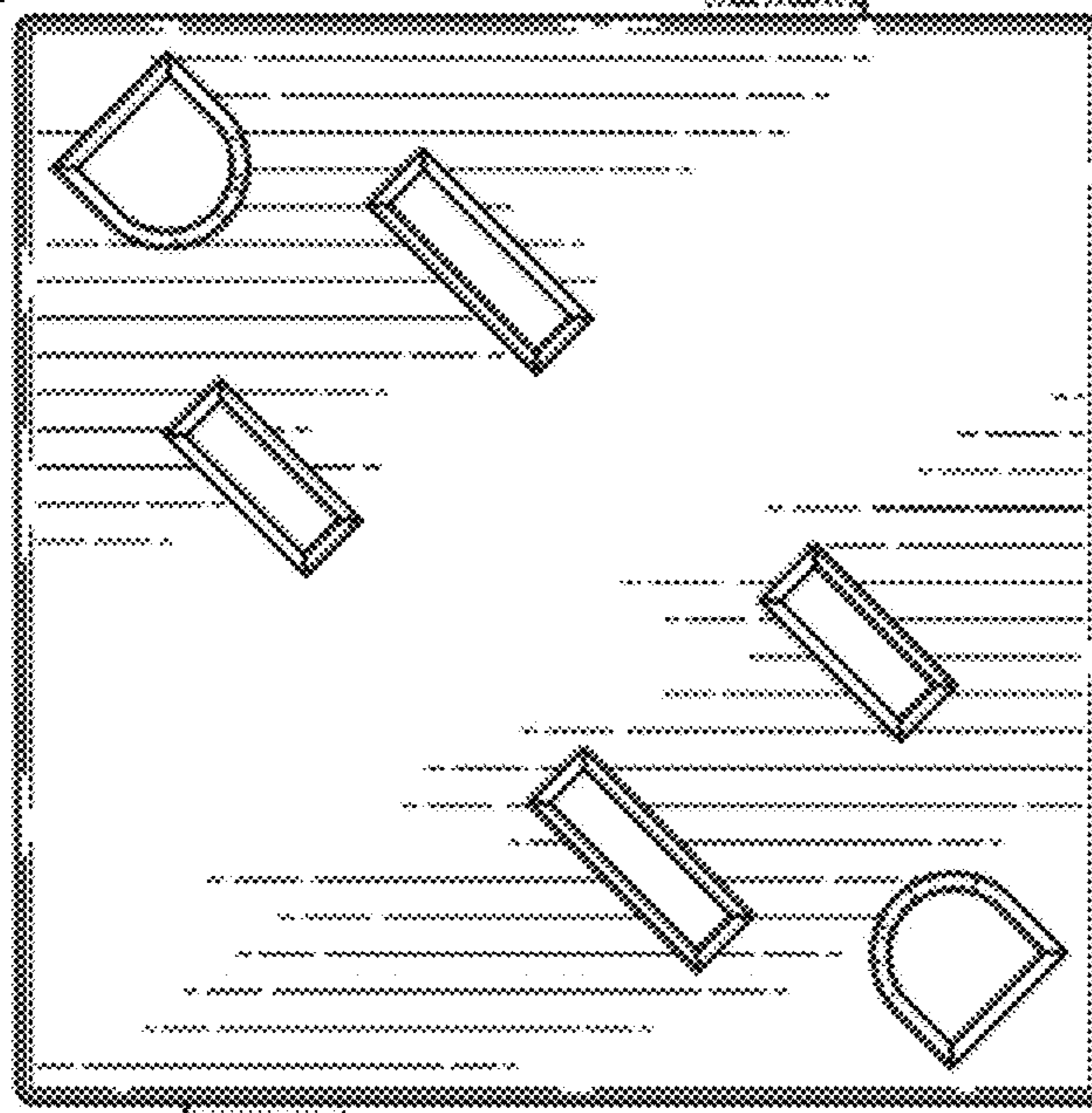


Fig. 8

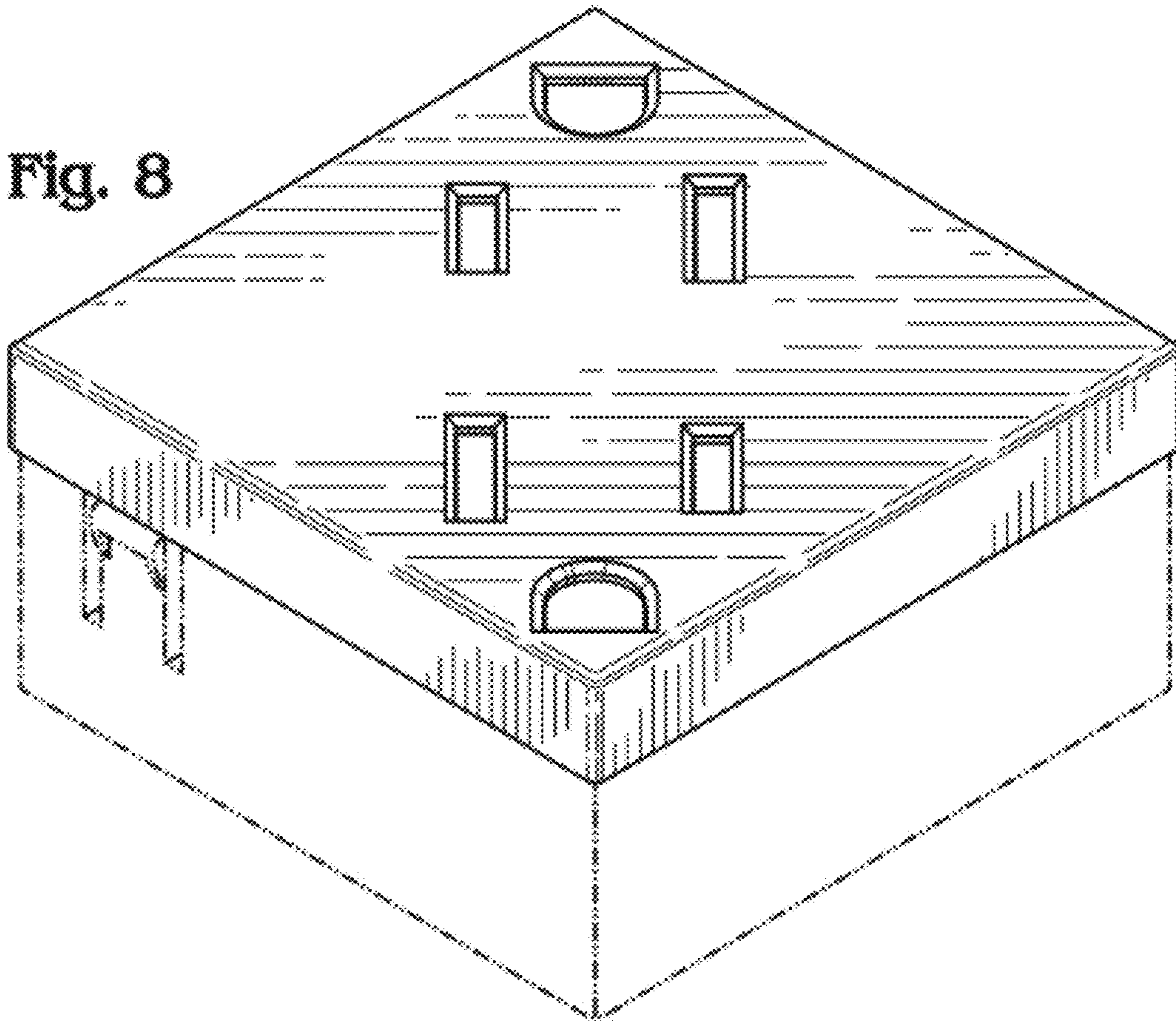


Fig. 9

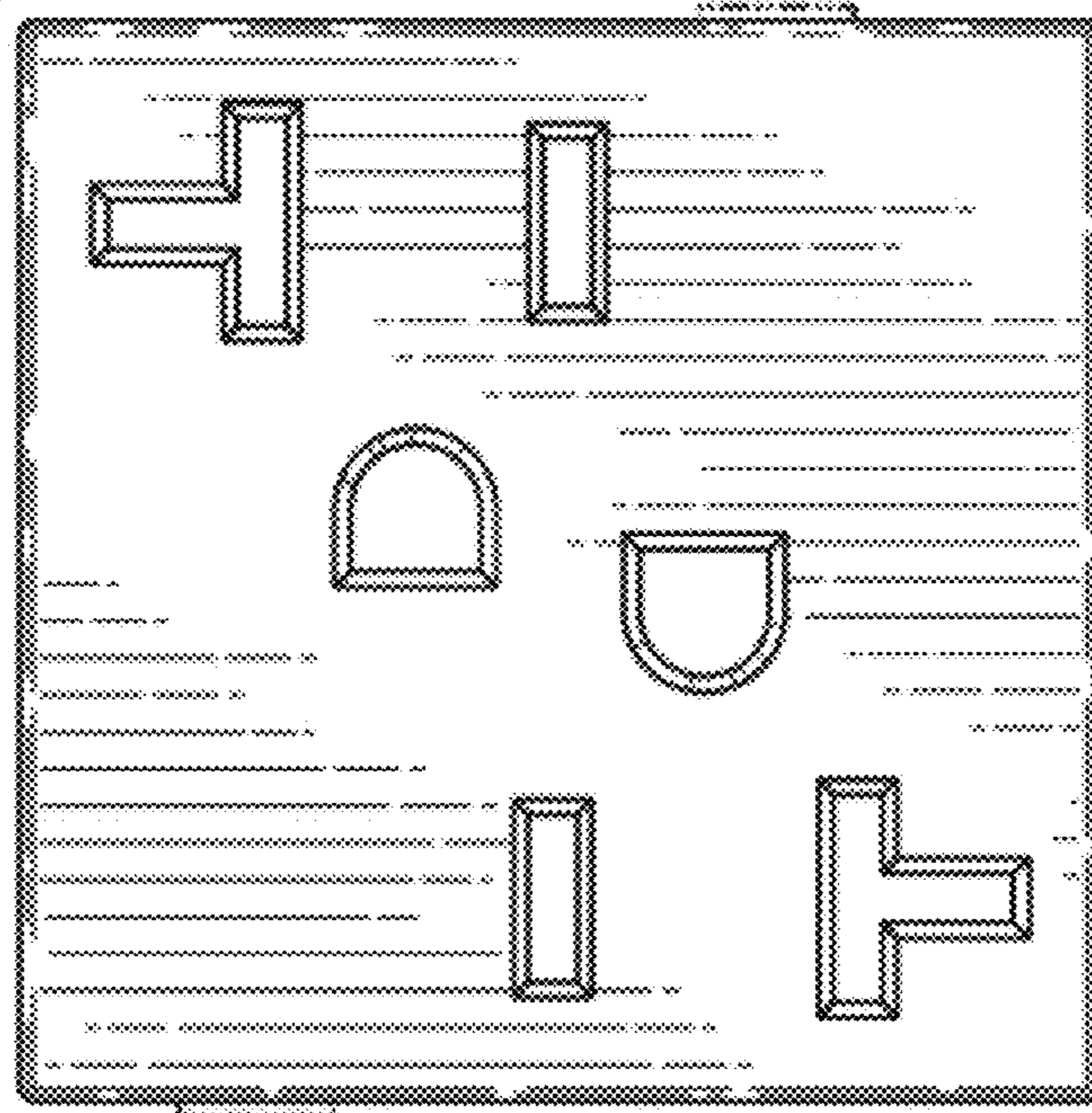


Fig. 10

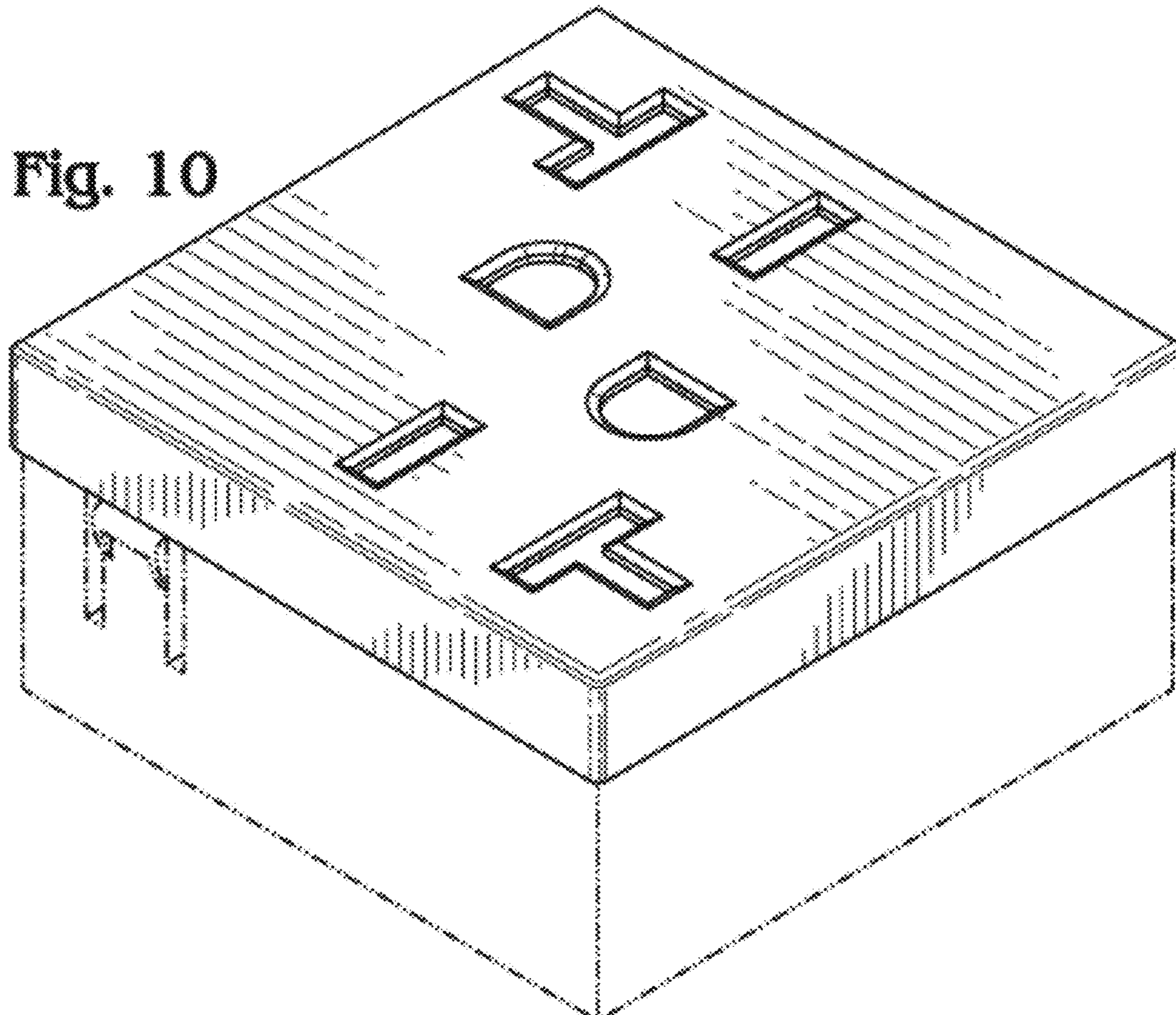




Fig. 11

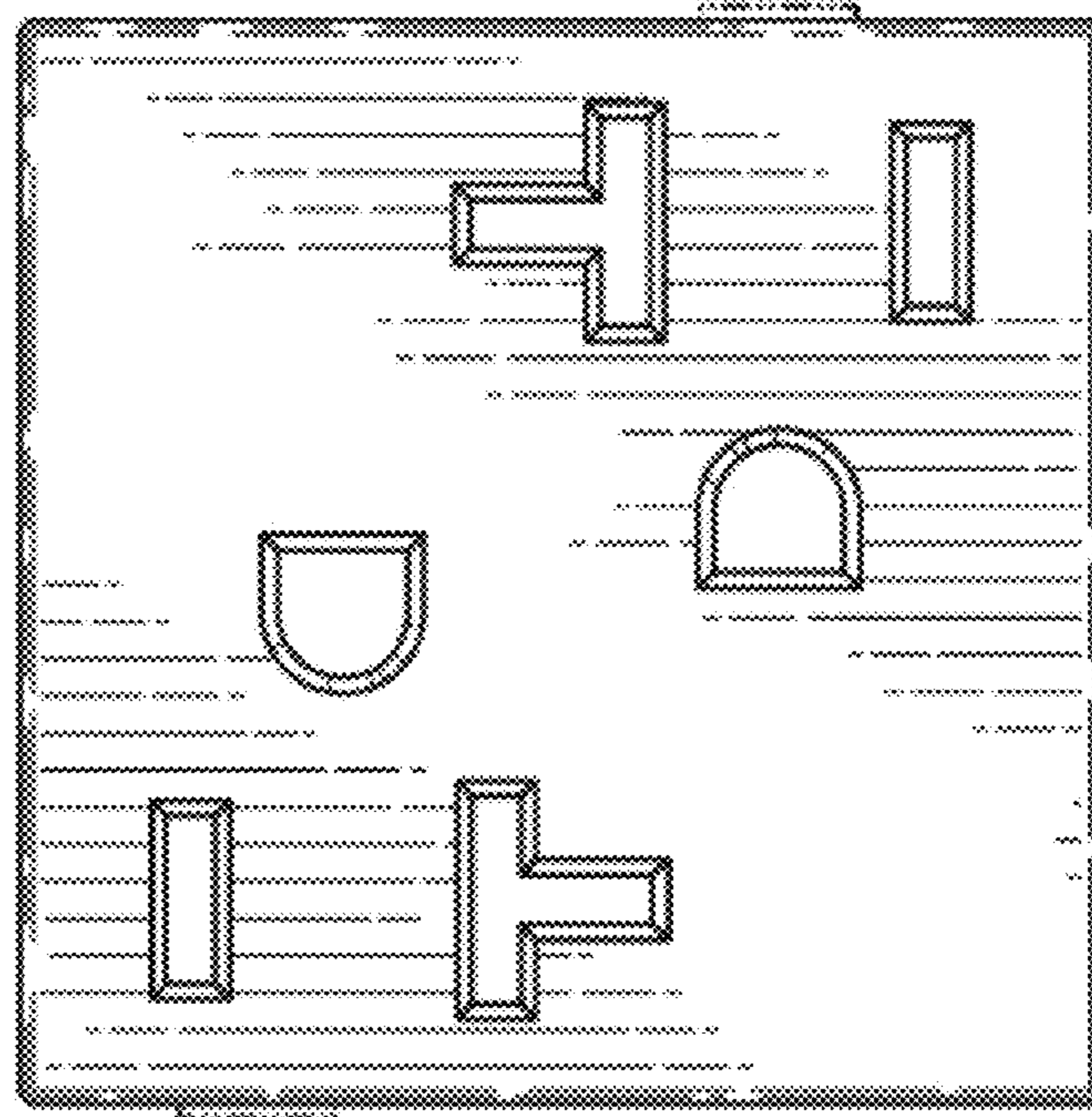


Fig. 12

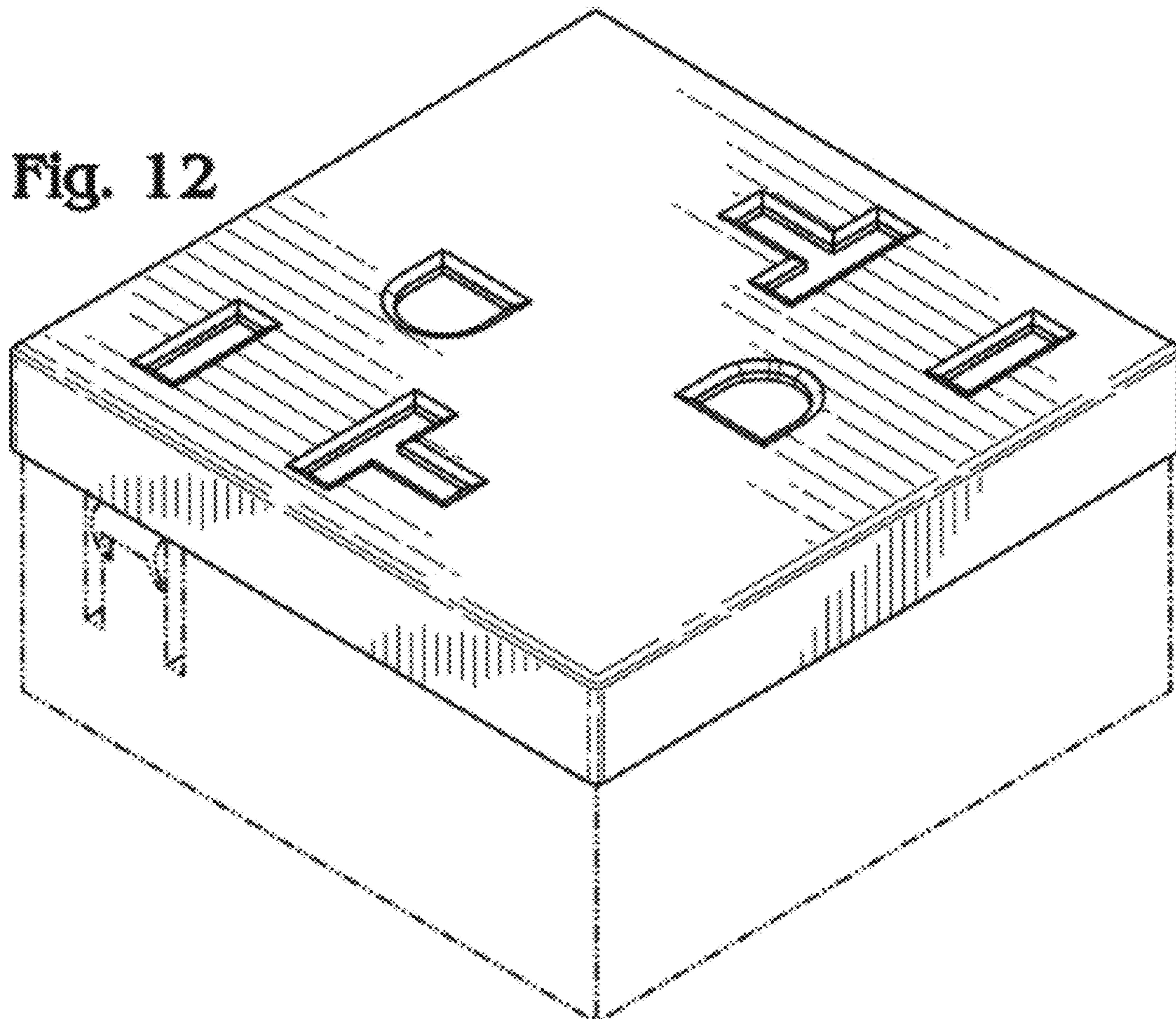


Fig. 13

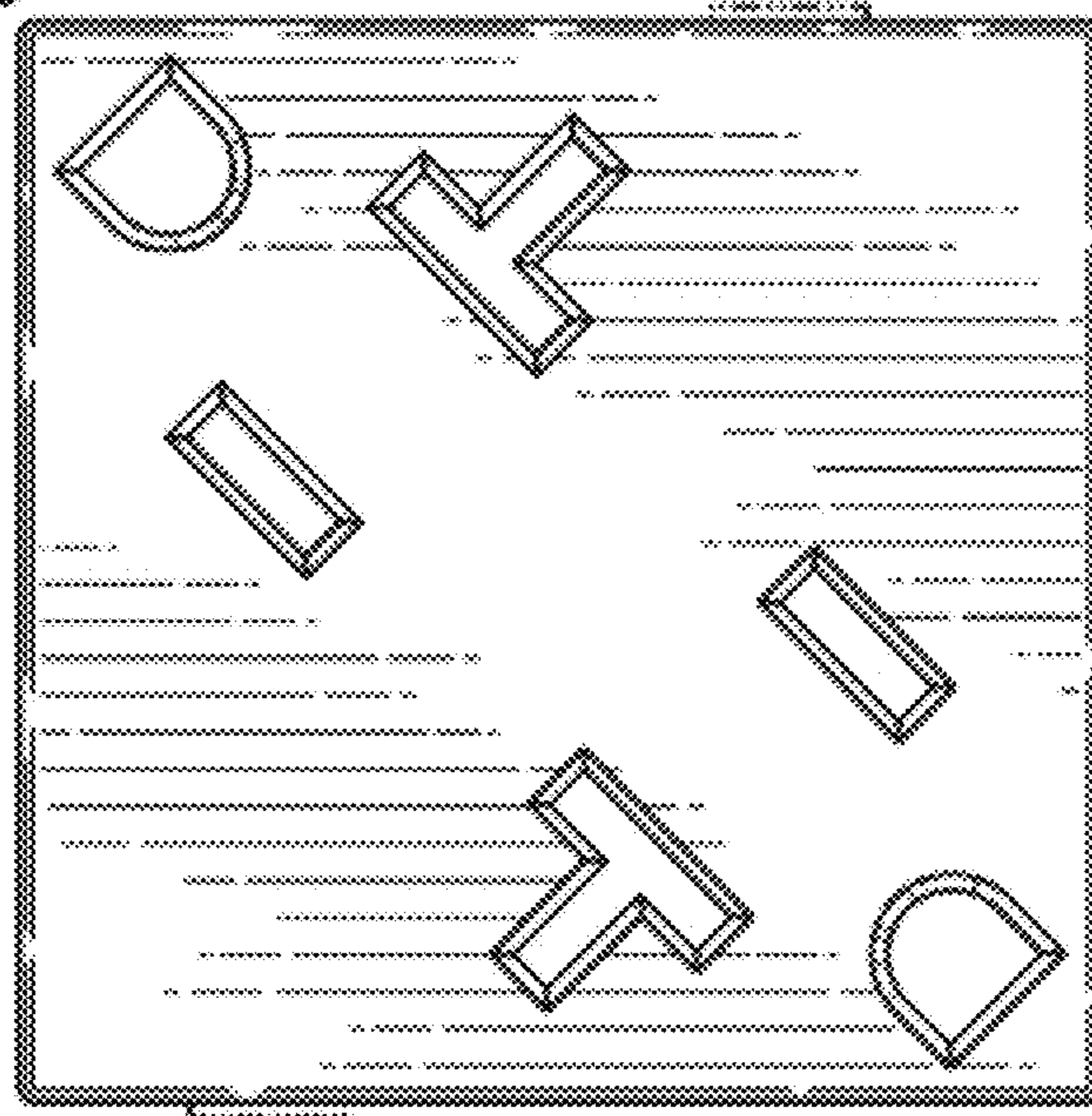


Fig. 14

