

US00D667792S

(12) **United States Design Patent**  
**Angel et al.**

(10) **Patent No.:** **US D667,792 S**  
(45) **Date of Patent:** **\*\* Sep. 25, 2012**

(54) **50 AMP RIGHT ANGLE LOCKING ELECTRICAL HEAD WITH HANDLE**

(75) Inventors: **Bruce A. Angel**, Stokesdale, NC (US);  
**Dominic W. Benedict**, Jamestown, NC (US); **Jeffrey R. Russell**,  
Winston-Salem, NC (US)

(73) Assignee: **Camco Manufacturing, Inc.**,  
Greensboro, NC (US)

(\*\*) Term: **14 Years**

(21) Appl. No.: **29/372,827**

(22) Filed: **Jan. 18, 2011**

(51) **LOC (9) Cl.** ..... **13-03**

(52) **U.S. Cl.** ..... **D13/133; D13/139.1**

(58) **Field of Classification Search** ..... D13/110,  
D13/107, 137.1, 137.2, 138.2, 139.1, 154,  
D13/184, 199; 307/150-151; 320/106-107;  
363/146; 439/266, 268, 269.1, 269.2, 270  
See application file for complete search history.

(56) **References Cited**

U.S. PATENT DOCUMENTS

2,224,547	A *	12/1940	Ludwig	.....	439/598
D199,244	S *	9/1964	Danesi	.....	D13/138.2
3,148,930	A *	9/1964	Healy	.....	439/674
D217,614	S *	5/1970	Kress	.....	D13/138.2
D511,748	S	11/2005	Caine et al.		
D549,651	S	8/2007	Mancari et al.		

D586,296	S	2/2009	Liu		
D592,139	S	5/2009	Wu		
D635,515	S *	4/2011	Atwell et al.	.....	D13/138.2
D638,359	S *	5/2011	Atwell et al.	.....	D13/138.2
D652,800	S *	1/2012	Liang-Hsu et al.	.....	D13/138.2

OTHER PUBLICATIONS

Ref. No. 1, Part# 1RPC5ORV, 50 Amp Right Angle Adapter, found on Makarios website: www.makariosrv.com, Dec. 20, 2010.

\* cited by examiner

*Primary Examiner* — Daniel Bui

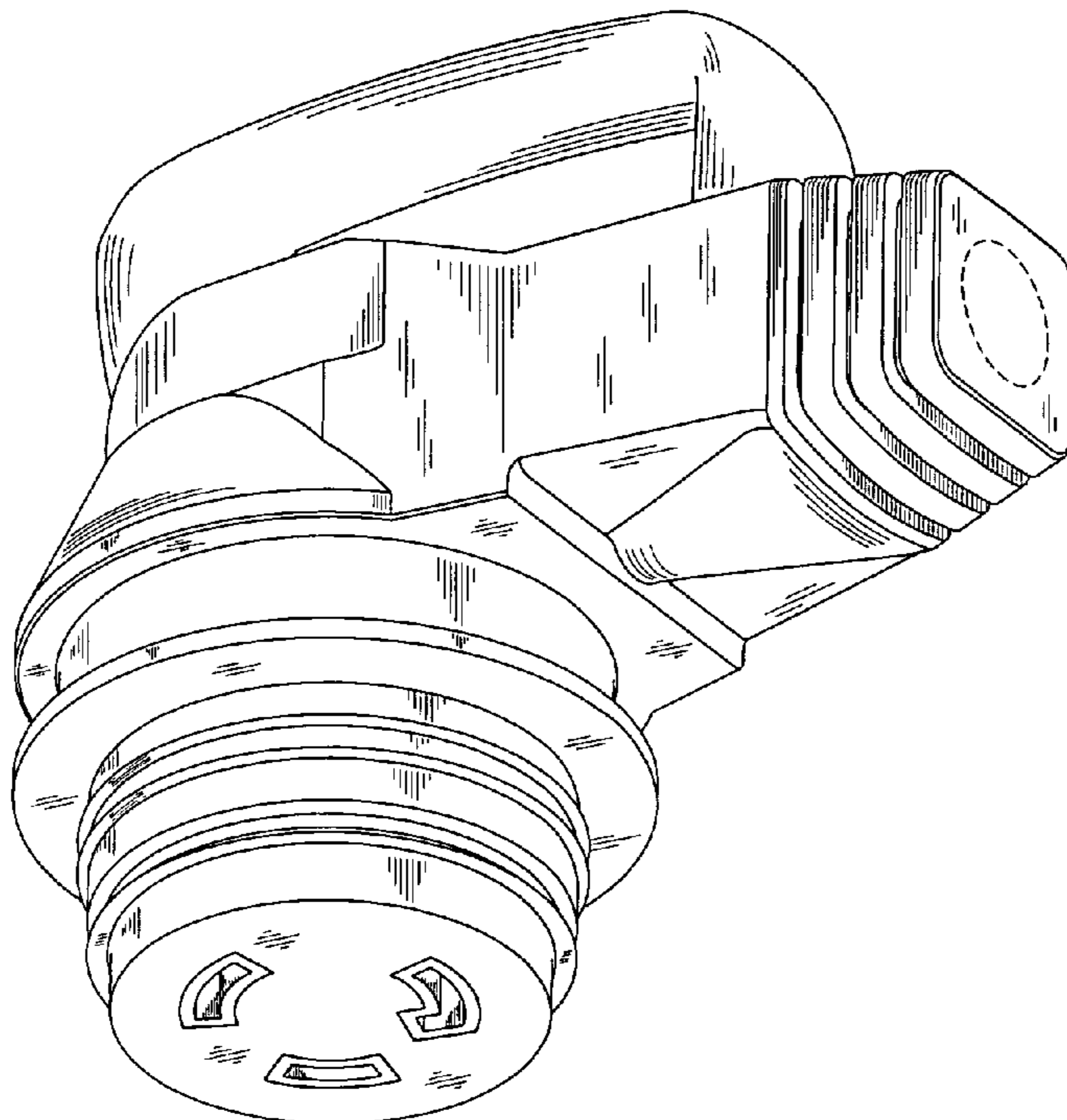
(57) **CLAIM**

The ornamental design for a 50 amp right angle locking electrical head with handle, as shown and described.

**DESCRIPTION**

FIG. 1 is a bottom, rear and right side perspective view of a 50 amp right angle locking electrical head with handle, showing our new design;  
FIG. 2 is a right side elevation view thereof;  
FIG. 3 is a rear elevation view thereof;  
FIG. 4 is a front elevation view thereof;  
FIG. 5 is a top, front and right side perspective view thereof;  
FIG. 6 is a left side elevation view thereof;  
FIG. 7 is a top plan view thereof;  
FIG. 8 is a bottom plan view thereof; and,  
FIG. 9 is a top, front and left side perspective view thereof.  
The broken line in the figure drawings is included for the purpose of illustrating unclaimed environment and forms no part of the claimed design.

**1 Claim, 5 Drawing Sheets**



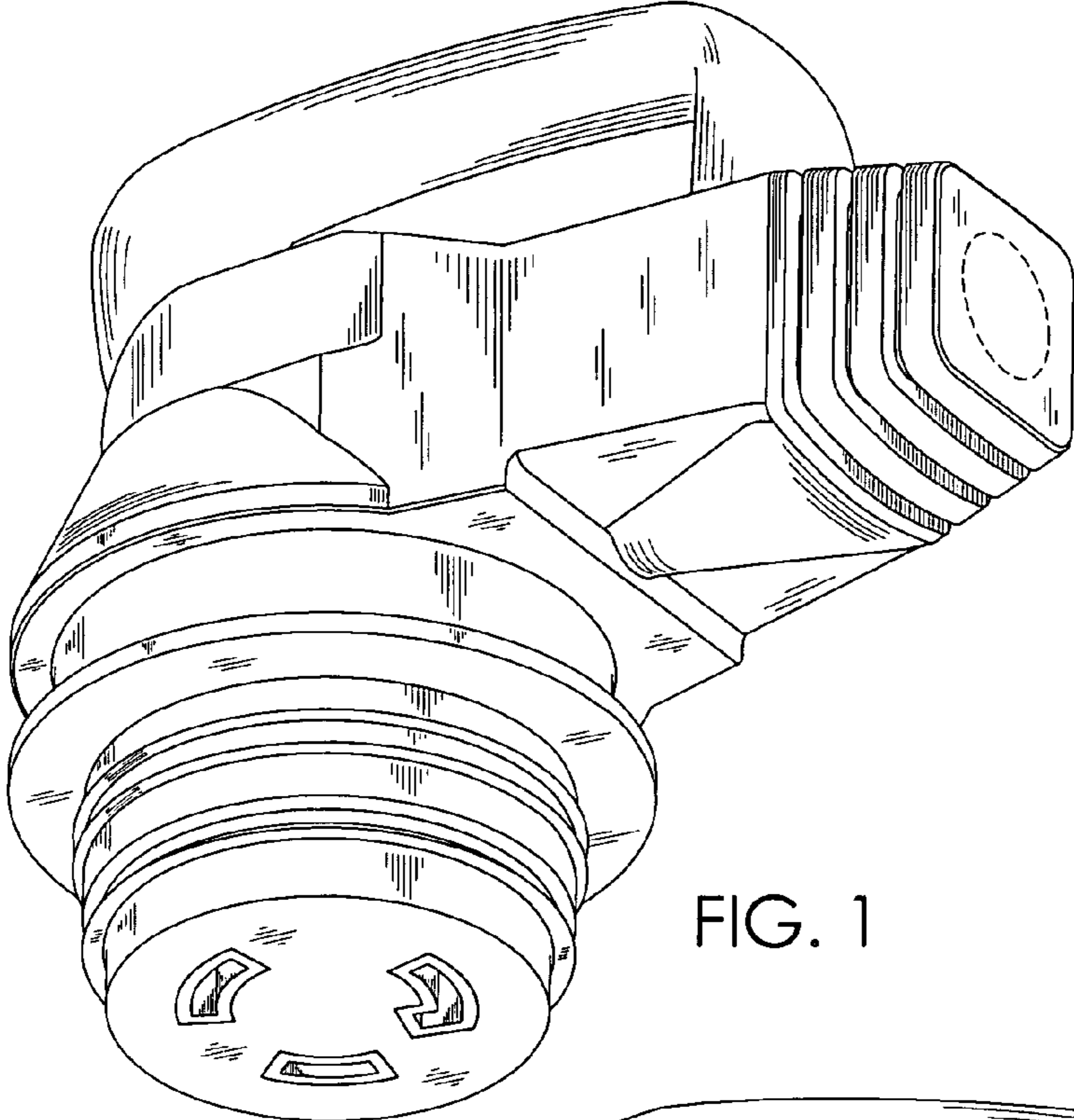


FIG. 1

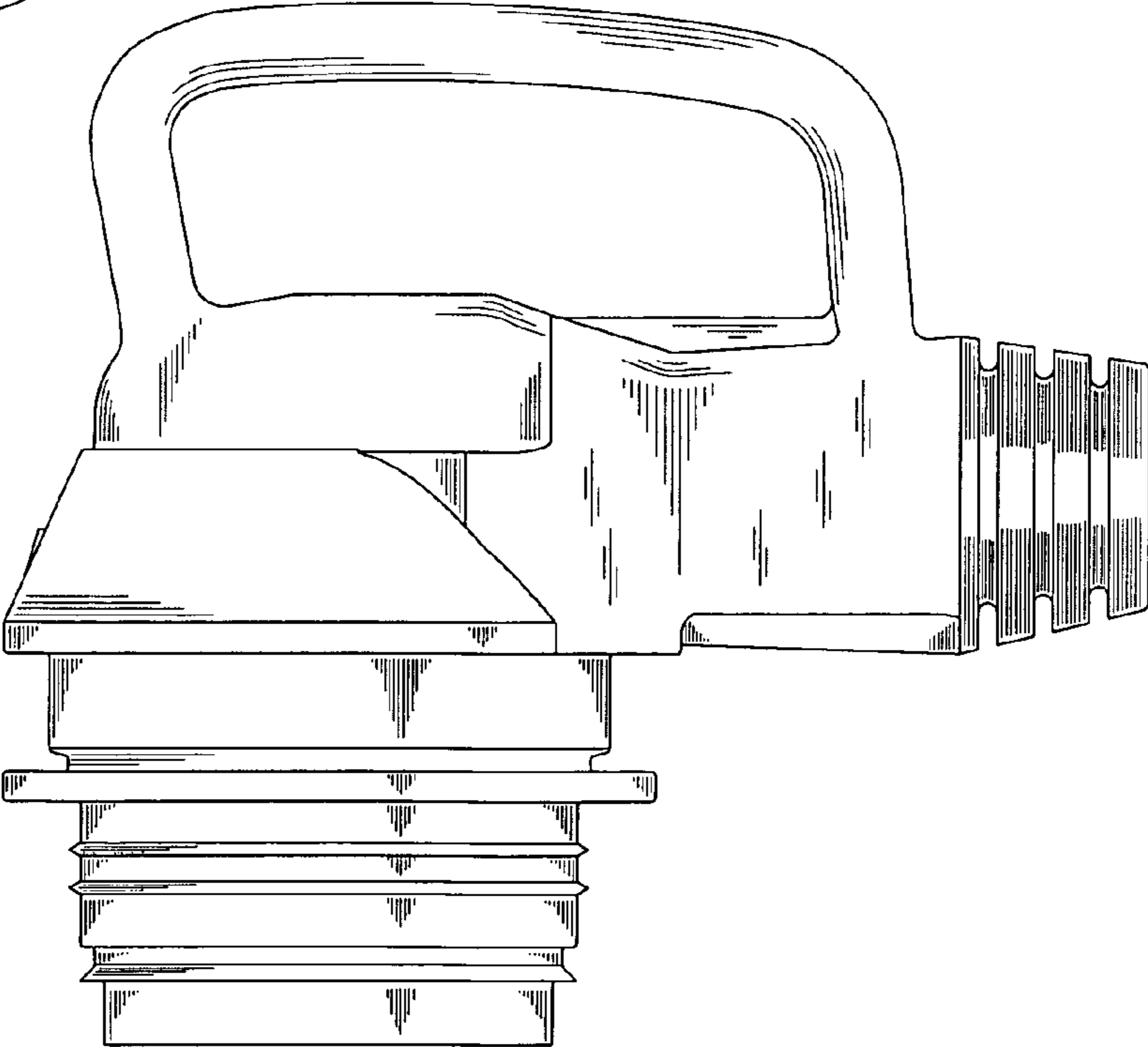


FIG. 2

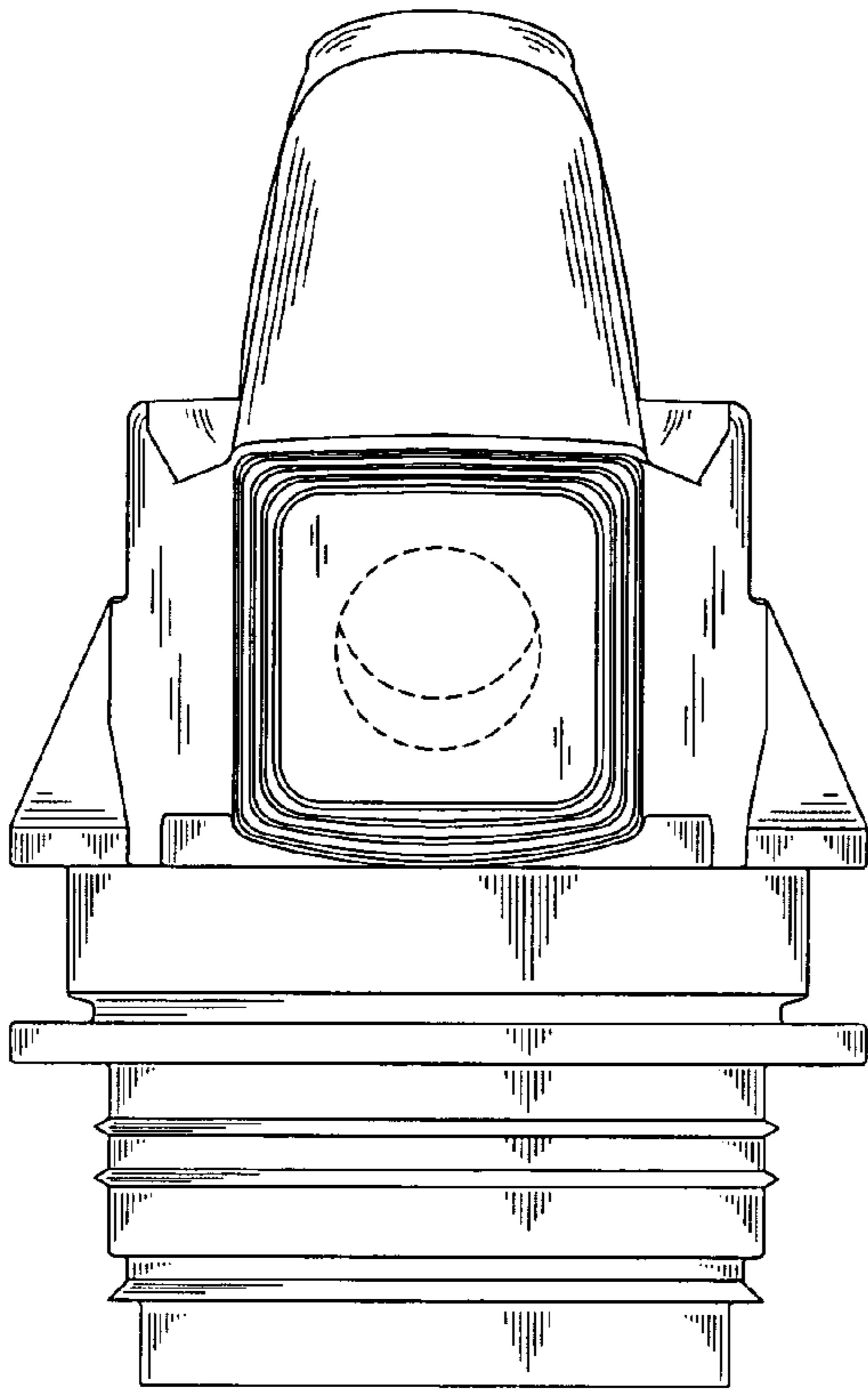


FIG. 3

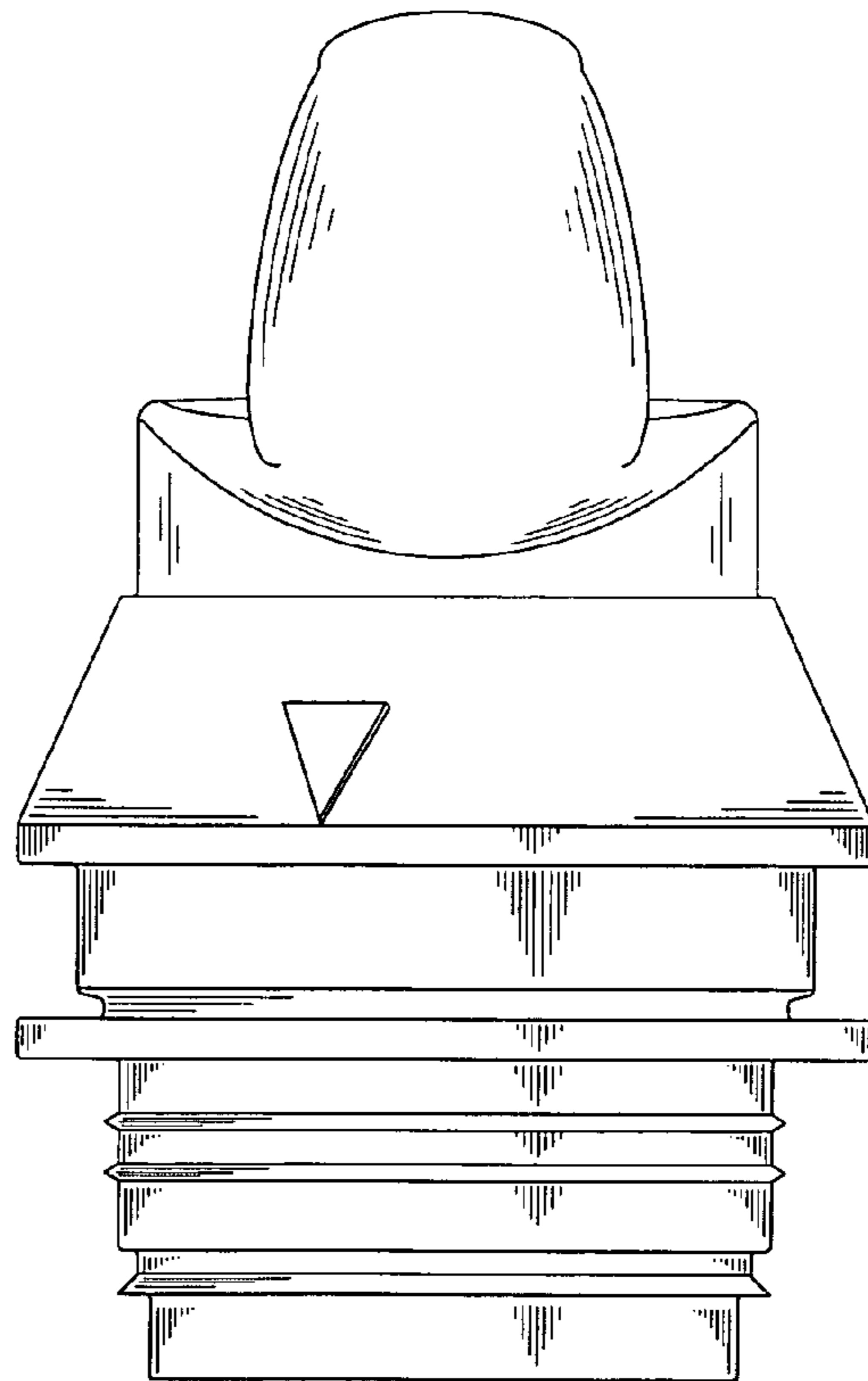


FIG. 4

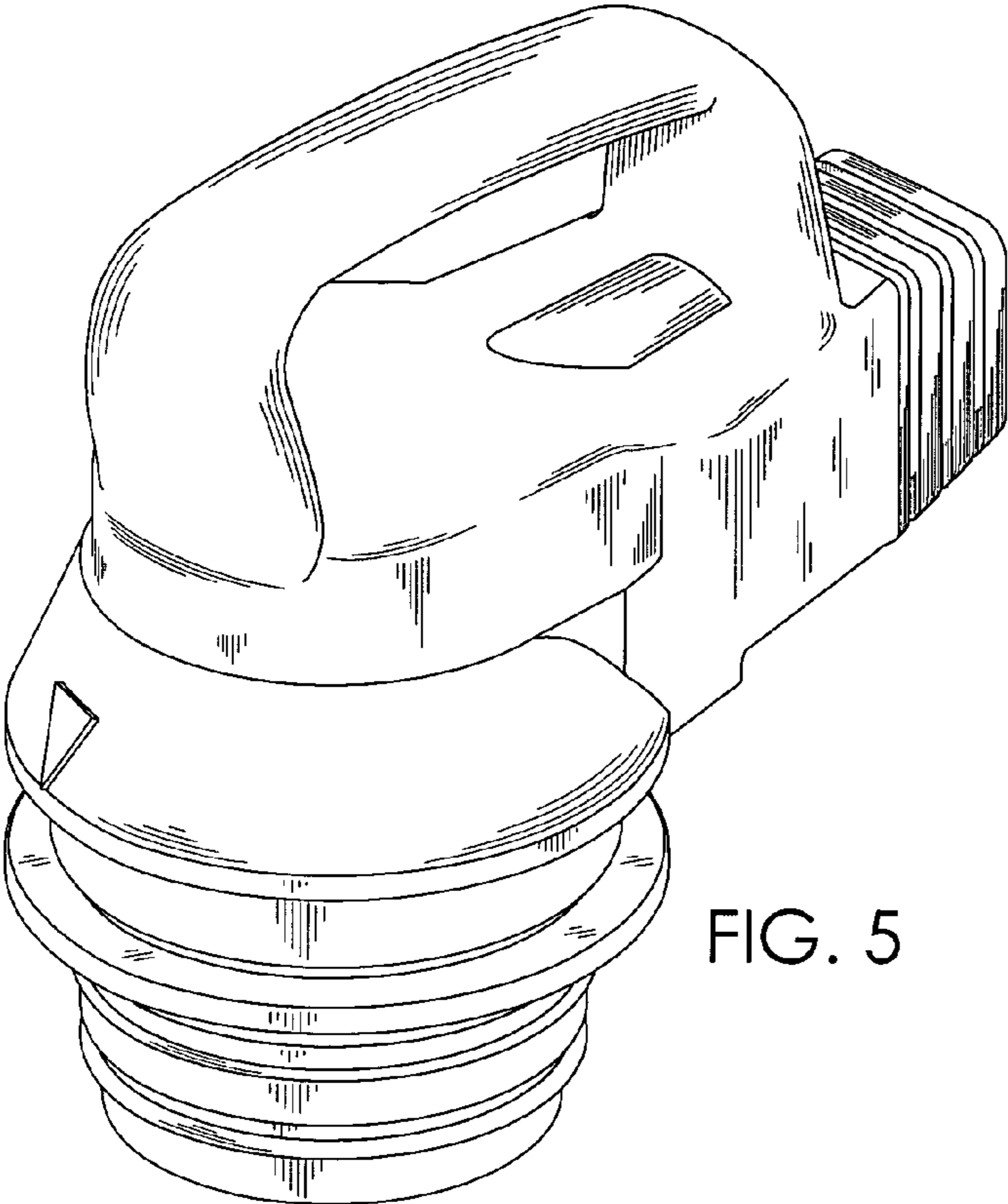


FIG. 5

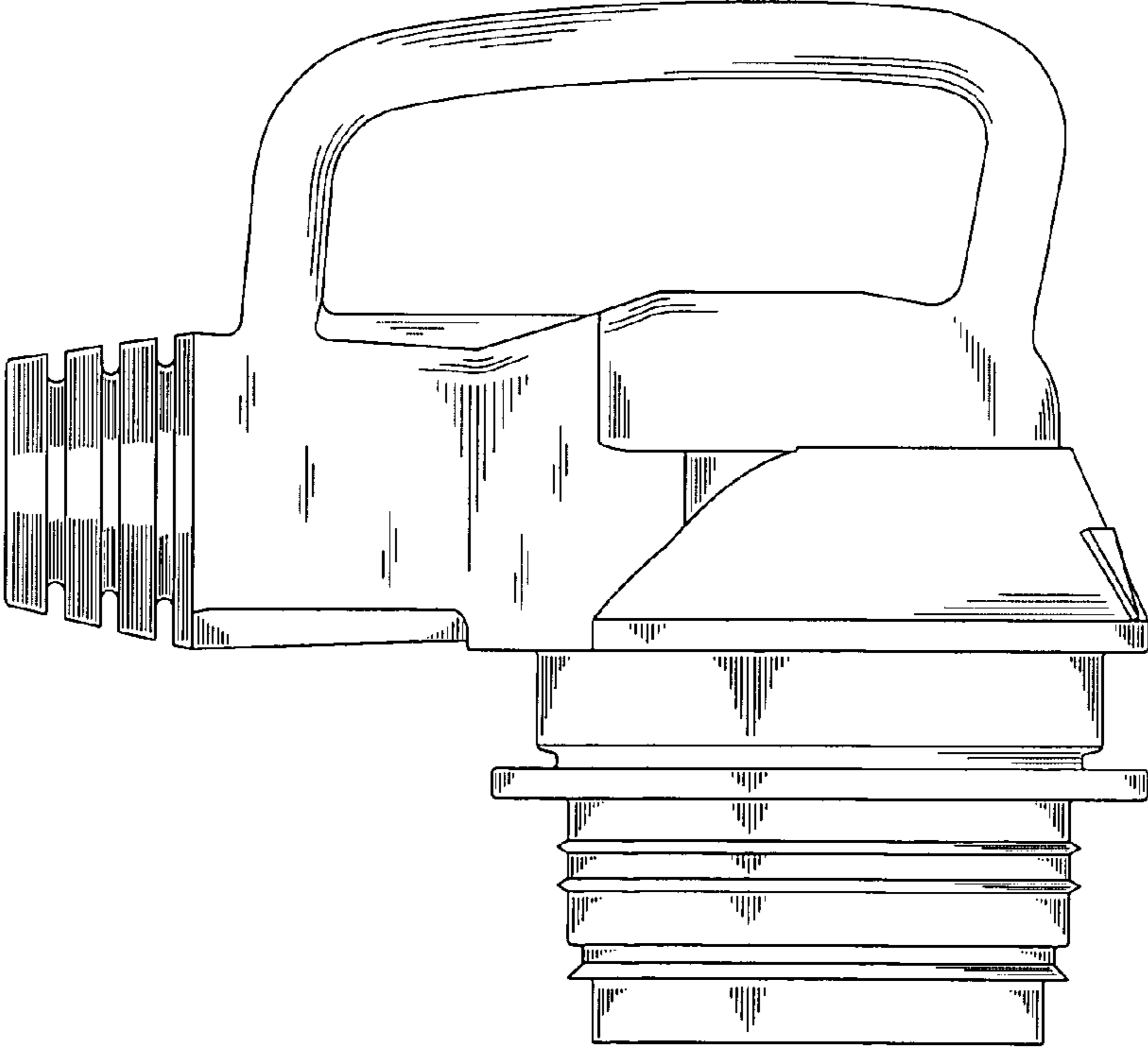


FIG. 6

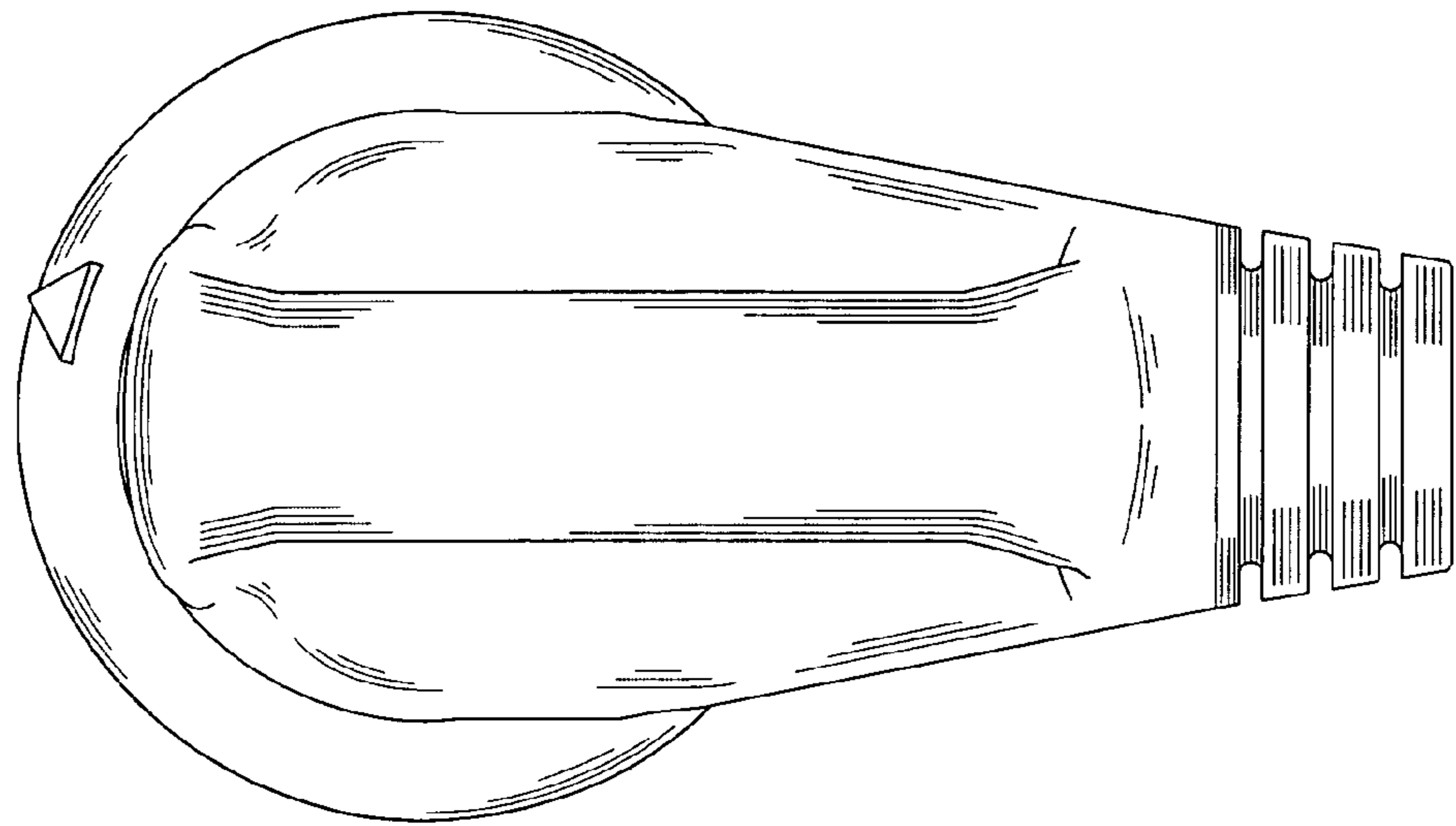


FIG. 7

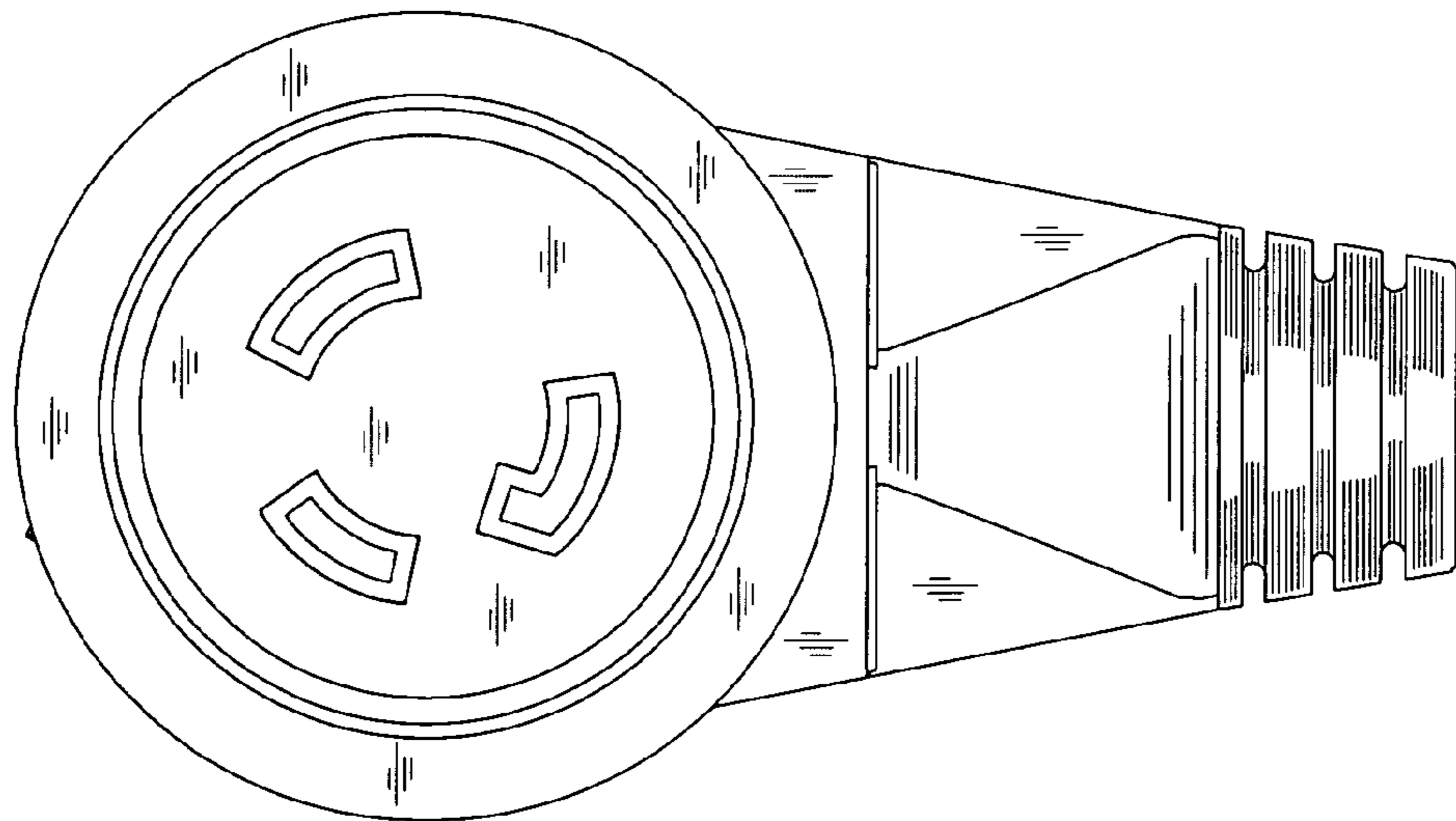


FIG. 8

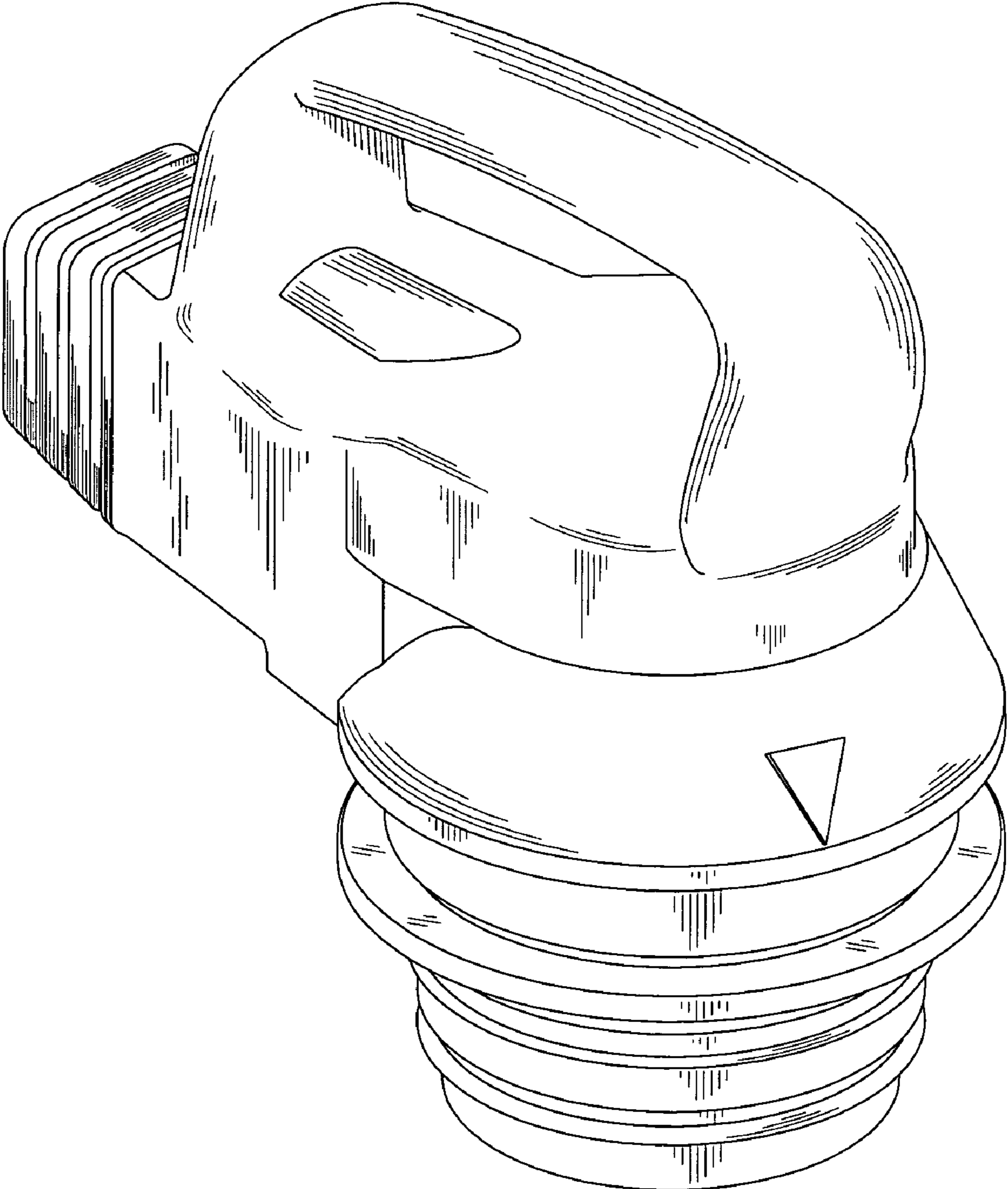


FIG. 9