

US00D667791S

(12) **United States Design Patent**
Angel et al.

(10) **Patent No.:** **US D667,791 S**
(45) **Date of Patent:** **** Sep. 25, 2012**

(54) **30 AMP RIGHT ANGLE LOCKING ELECTRICAL HEAD WITH HANDLE**

(75) Inventors: **Bruce A. Angel**, Stokesdale, NC (US);
Dominic W. Benedict, Jamestown, NC (US); **Jeffrey R. Russell**,
Winstom-Salem, NC (US)

(73) Assignee: **Camco Manufacturing, Inc.**,
Greensboro, NC (US)

(**) Term: **14 Years**

(21) Appl. No.: **29/372,826**

(22) Filed: **Jan. 18, 2011**

(51) **LOC (9) Cl.** **13-03**

(52) **U.S. Cl.** **D13/133; D13/139.1**

(58) **Field of Classification Search** D13/110,
D13/107, 137.1, 137.2, 138.2, 139.1, 154,
D13/184, 199; 307/150-151; 320/106-107;
363/146; 439/266, 268, 269.1, 269.2, 270
See application file for complete search history.

(56) **References Cited**

U.S. PATENT DOCUMENTS

2,224,547	A *	12/1940	Ludwig	439/598
D199,244	S *	9/1964	Danesi	D13/138.2
3,148,930	A *	9/1964	Healy	439/674
D217,614	S *	5/1970	Kress	D13/138.2
D511,748	S	11/2005	Caine et al.		
D549,651	S	8/2007	Mancari et al.		

D586,296	S	2/2009	Lui		
D592,139	S	5/2009	Wu		
D635,515	S *	4/2011	Atwell et al.	D13/138.2
D638,359	S *	5/2011	Atwell et al.	D13/138.2
D652,800	S *	1/2012	Liang-Hsu et al.	D13/138.2

OTHER PUBLICATIONS

Ref. No. 1, Part# 1RPC, 30 Amp Right Angle Cordset Adapter, found on Marinco website: www.marinco.com, Dec. 20, 2010.

* cited by examiner

Primary Examiner — Daniel Bui

(57) **CLAIM**

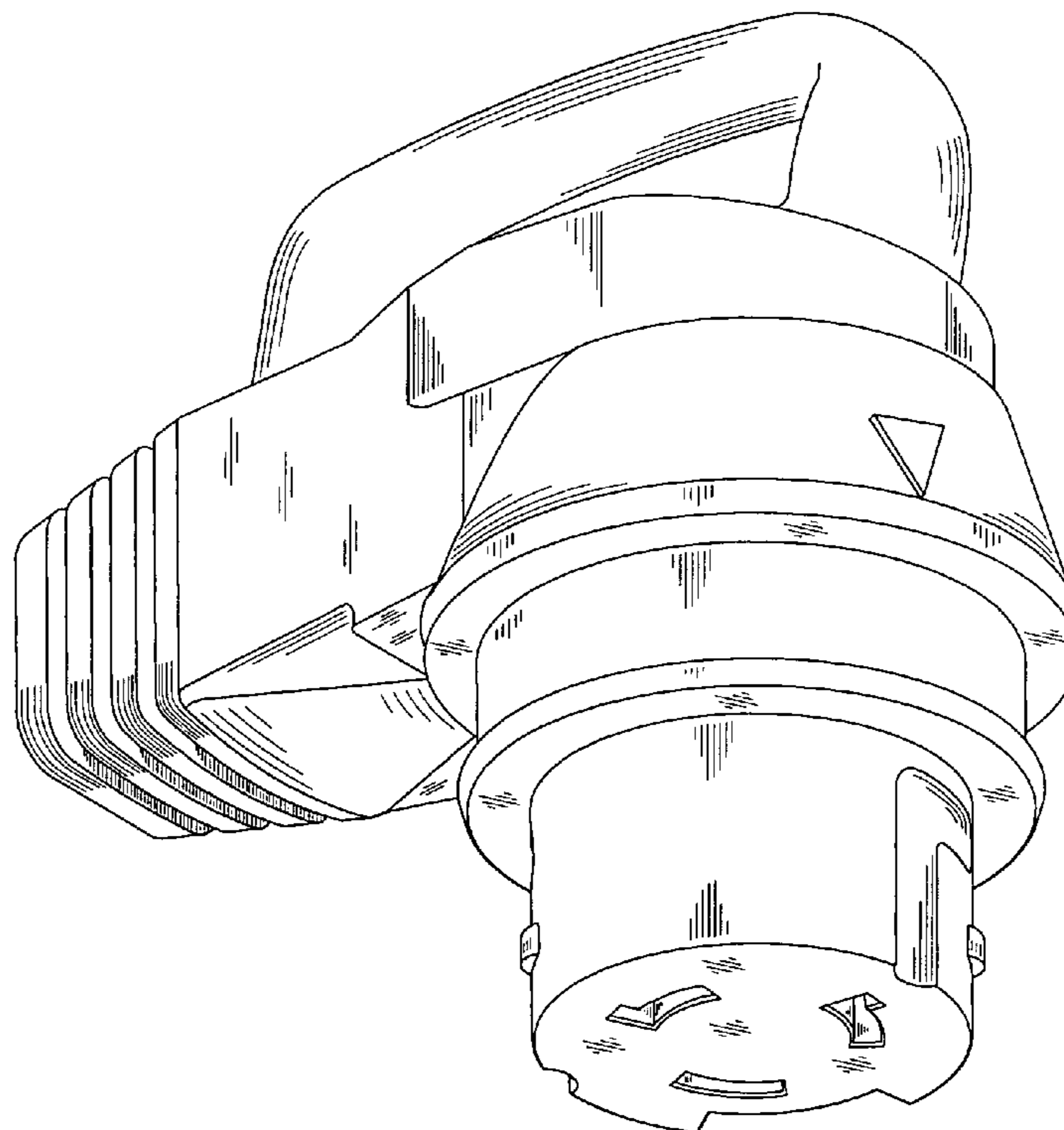
The ornamental design for a 30 amp right angle locking electrical head with handle, as shown and described.

DESCRIPTION

FIG. 1 is a front elevation view of a 30 amp right angle locking electrical head with handle, showing our new design; FIG. 2 is a rear elevation view thereof; FIG. 3 is a right side elevation view thereof; FIG. 4 is a left side elevation view thereof; FIG. 5 is a bottom, front and left side perspective view thereof; FIG. 6 is a top plan view thereof; FIG. 7 is a bottom plan view thereof; and, FIG. 8 is a bottom, rear and right side perspective view thereof.

The broken line in the figure drawings is included for the purpose of illustrating unclaimed environment and forms no part of the claimed design.

1 Claim, 5 Drawing Sheets



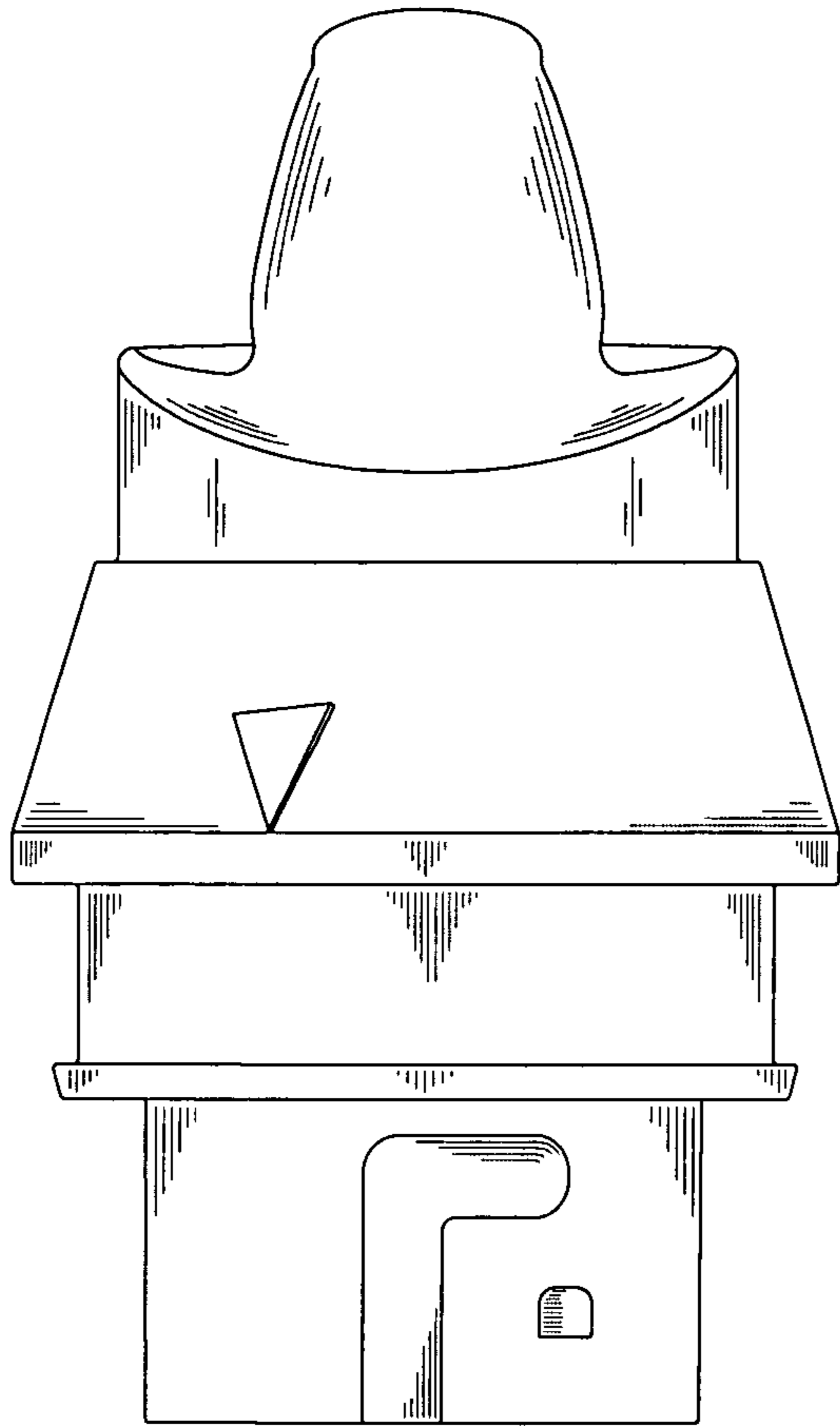


FIG. 1

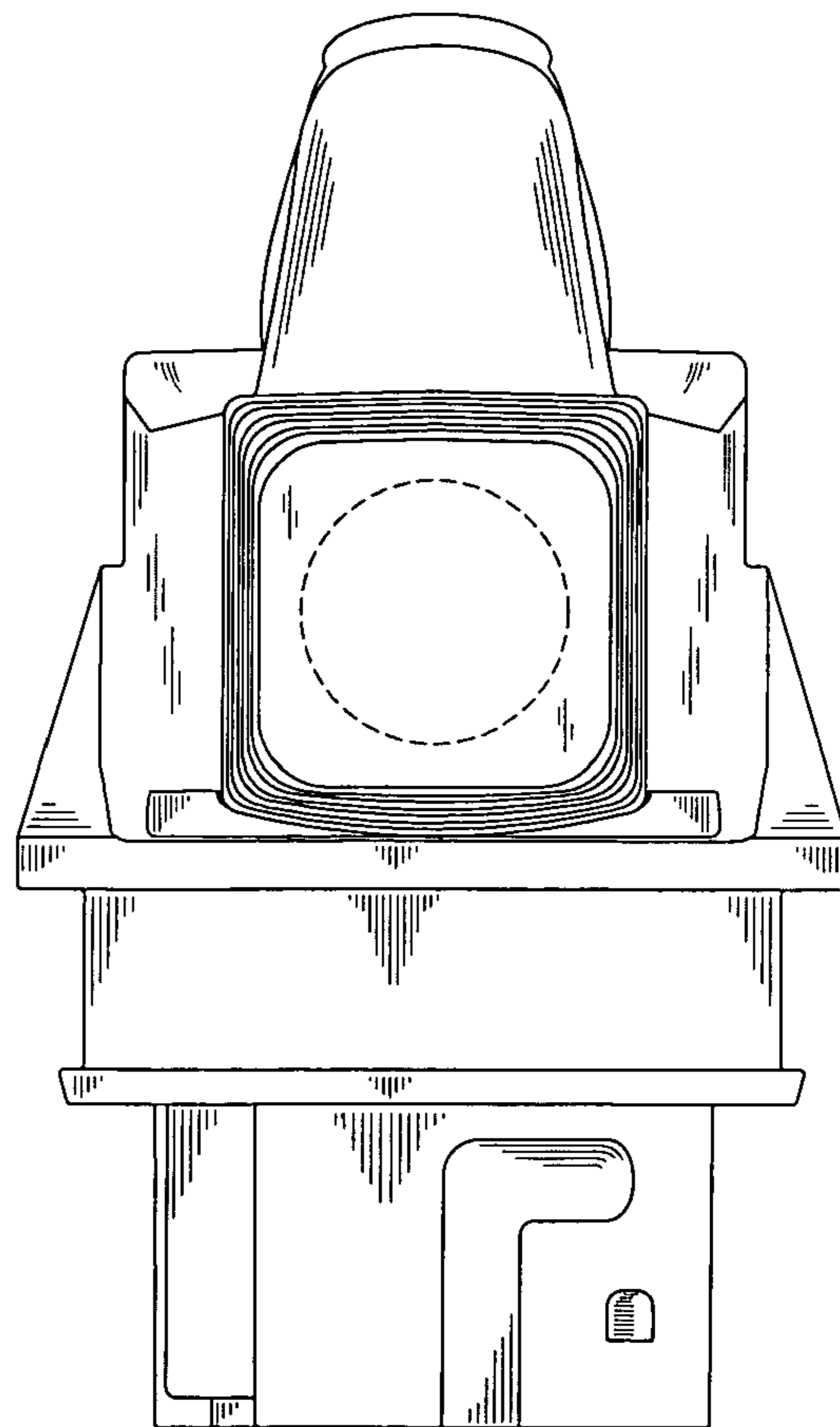


FIG. 2

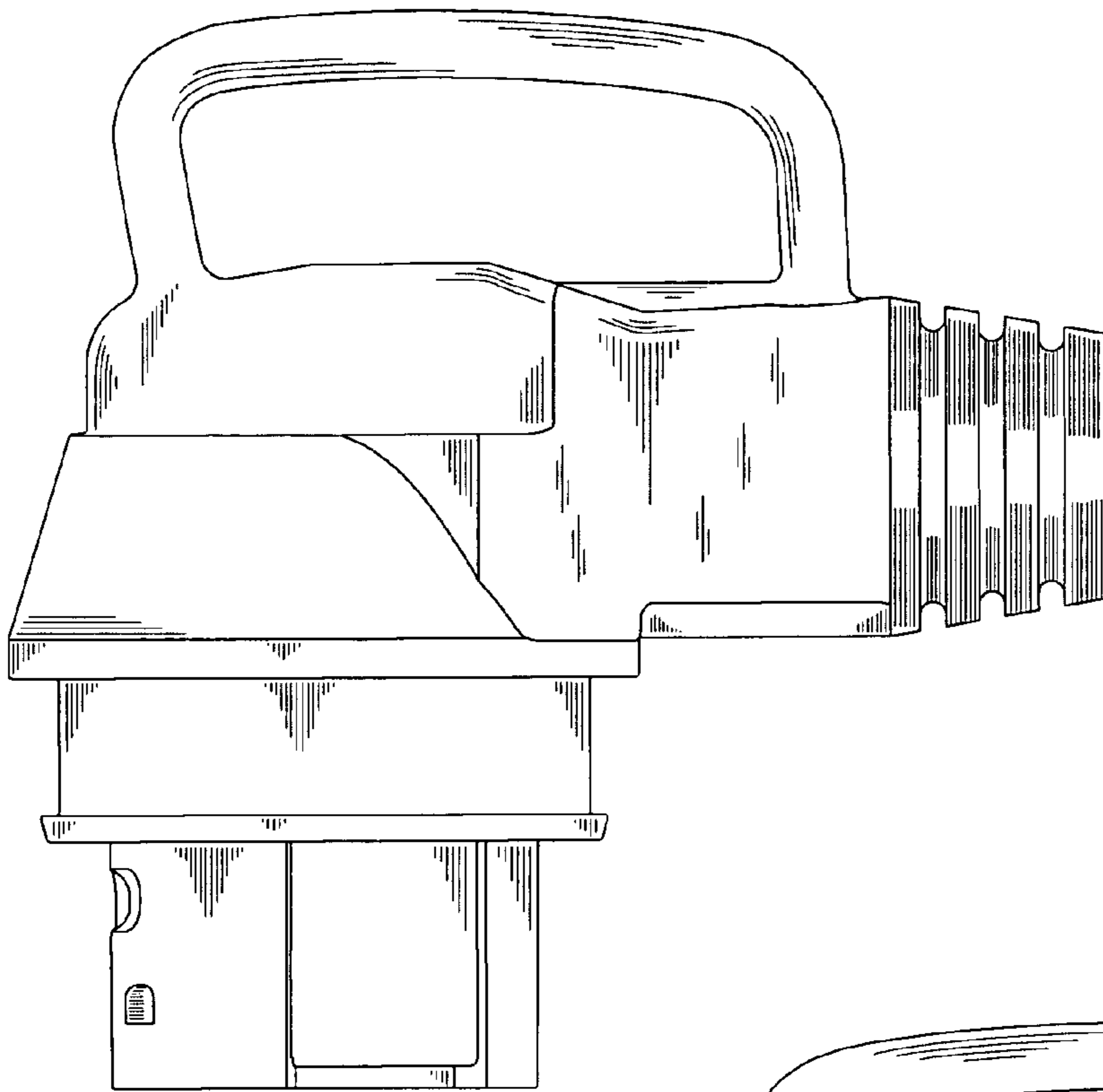


FIG. 3

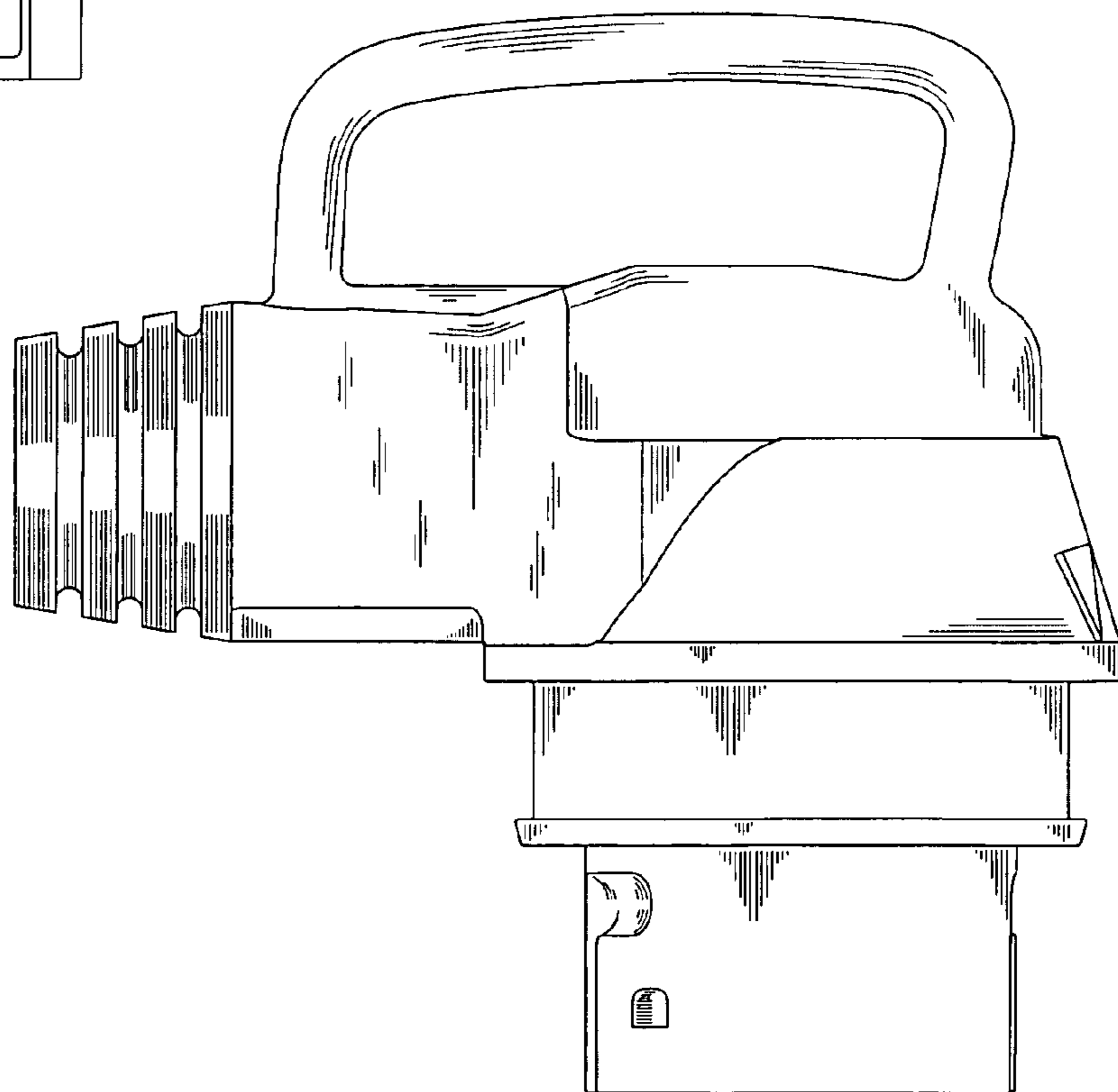


FIG. 4

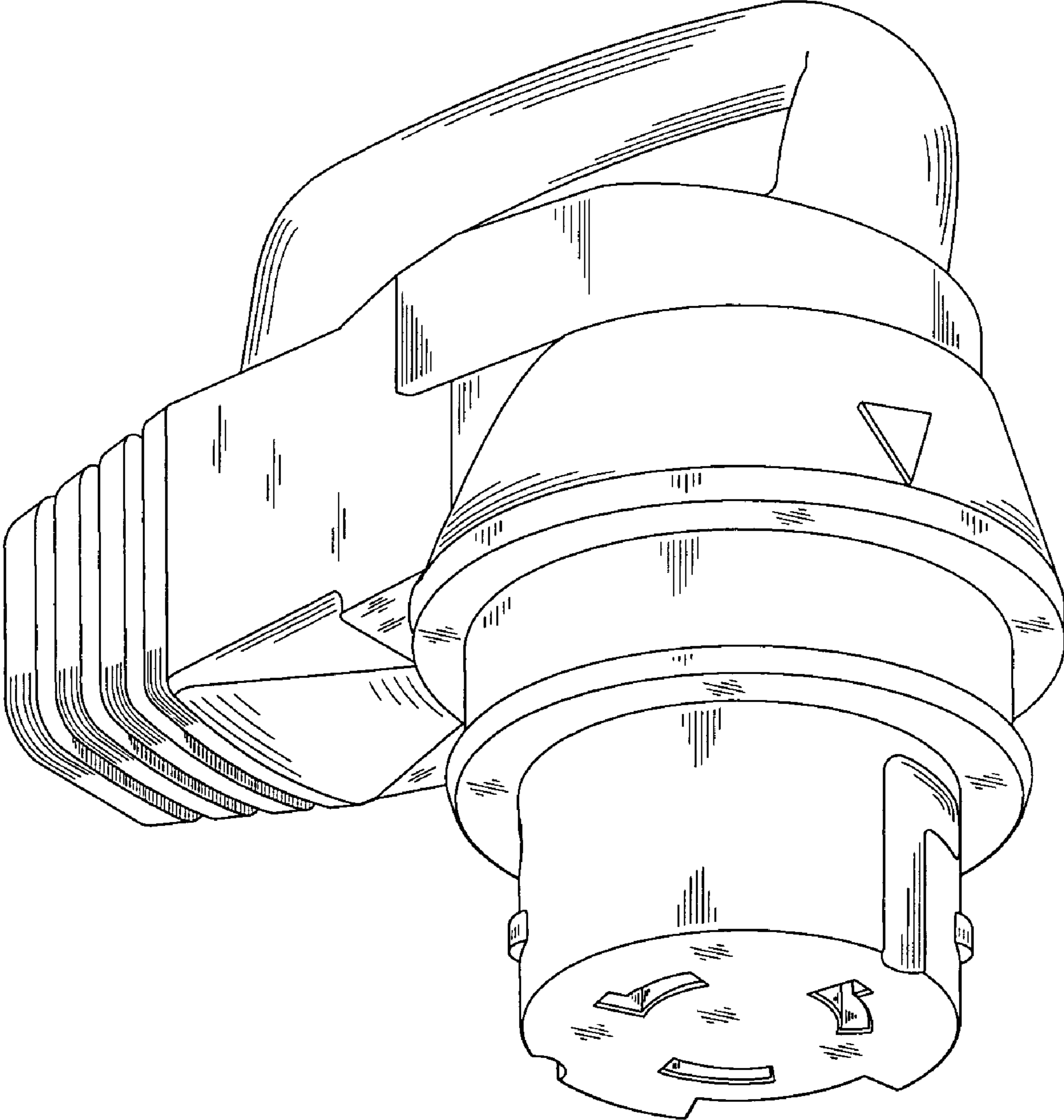


FIG. 5

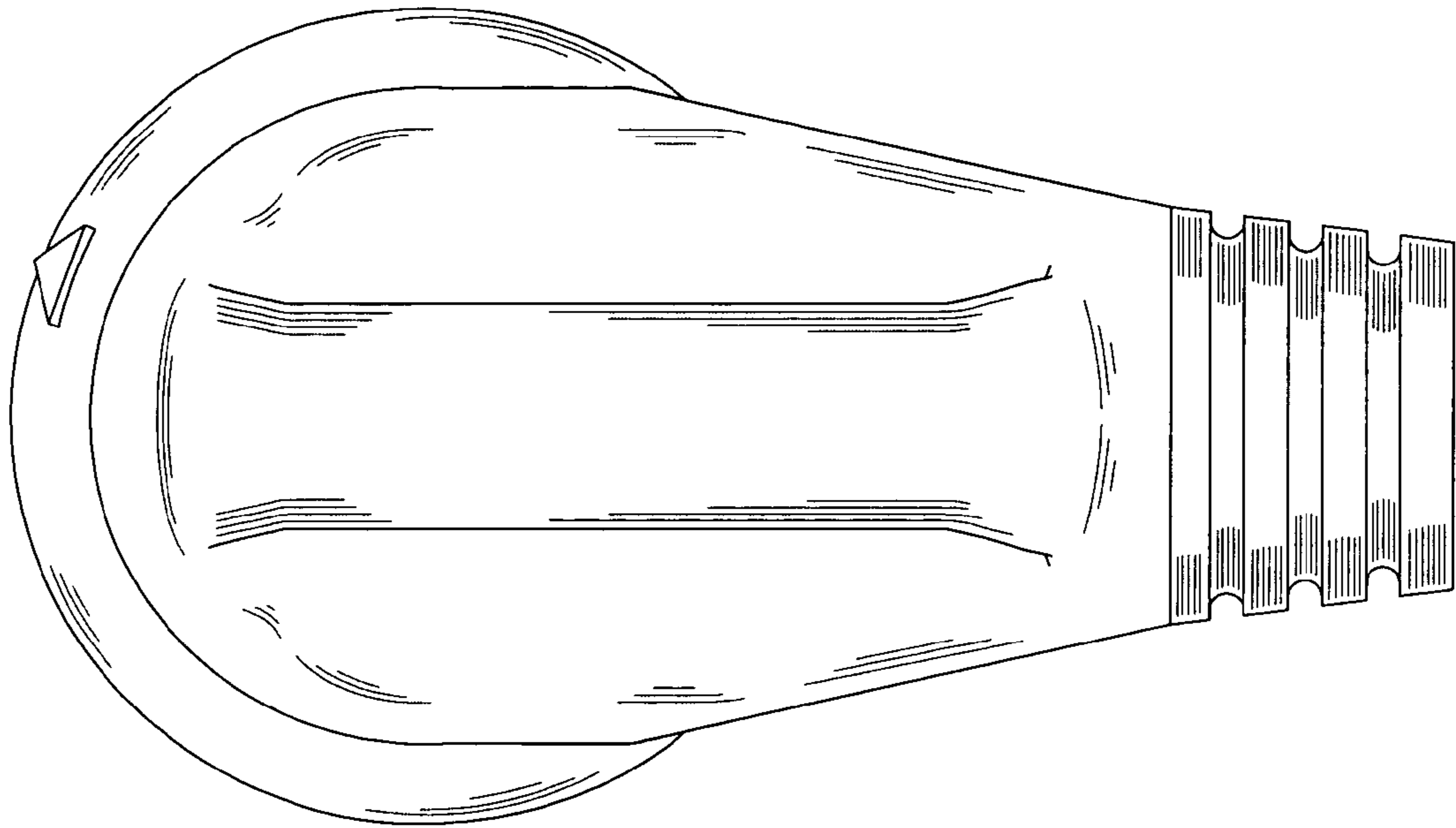


FIG. 6

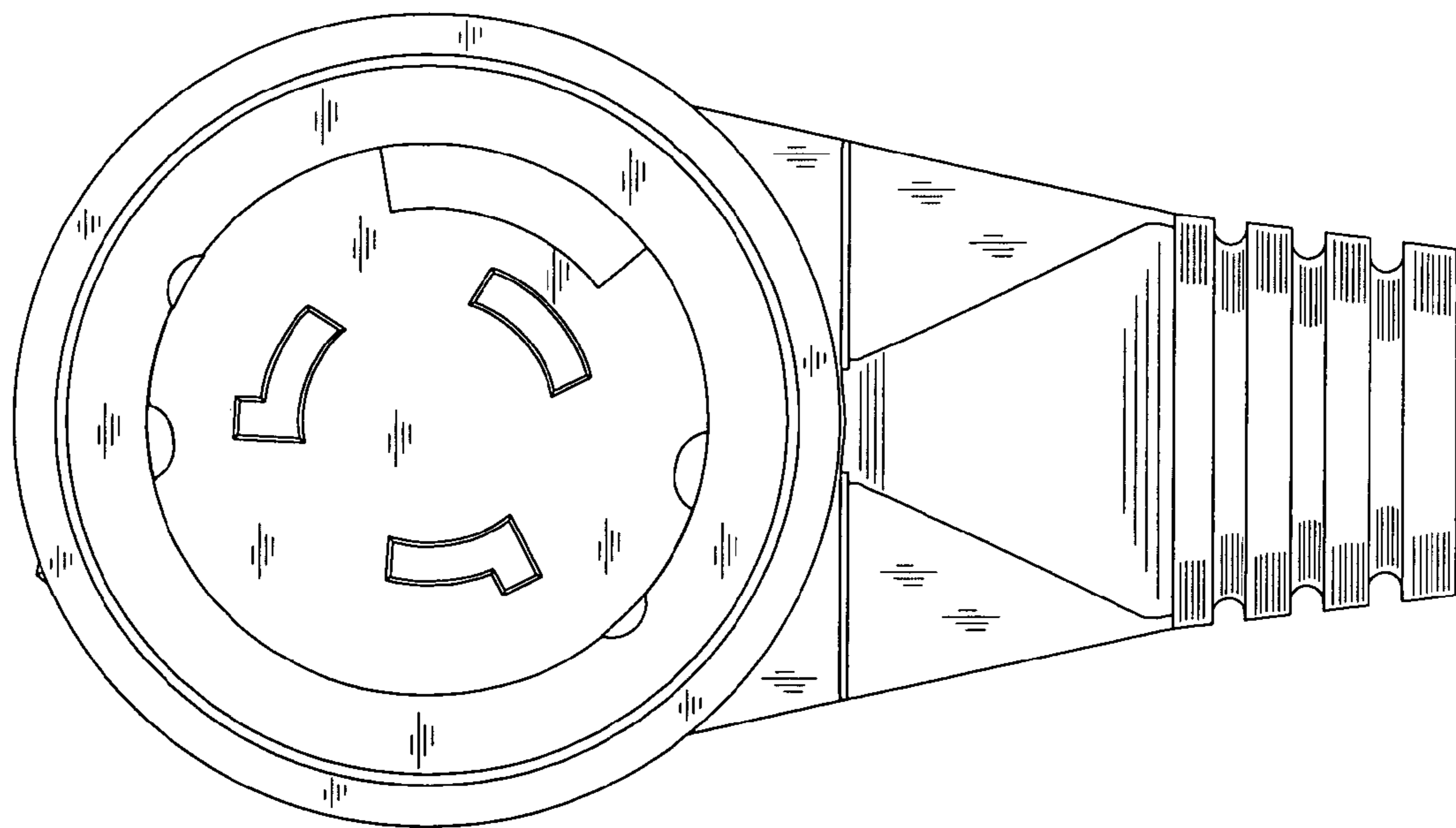


FIG. 7

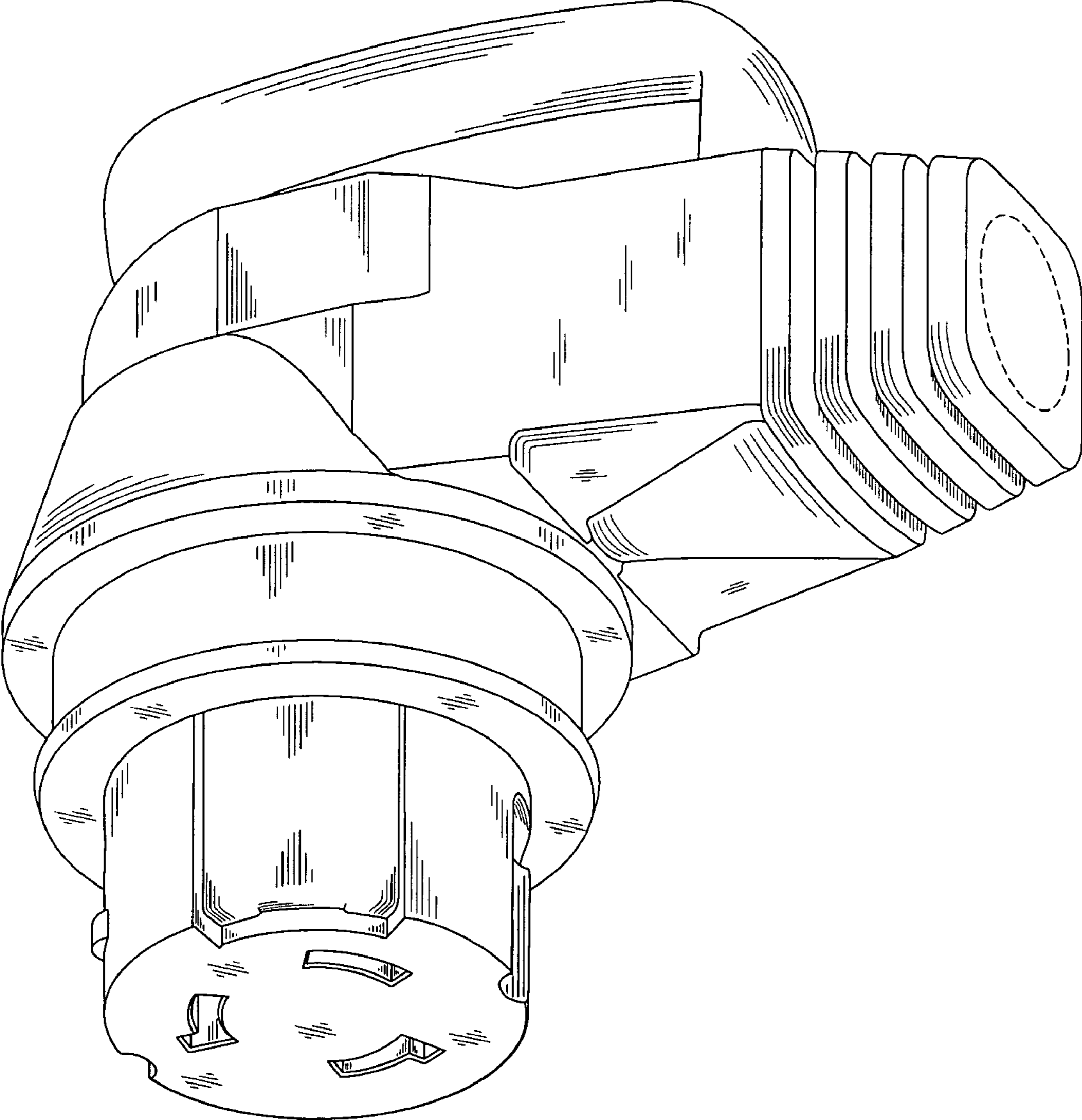


FIG. 8