

US00D667787S

(12) **United States Design Patent**  
**Druker et al.**

(10) **Patent No.:** **US D667,787 S**  
(45) **Date of Patent:** **\*\* Sep. 25, 2012**

(54) **POWER SUPPLY UNIT**

(56) **References Cited**

(75) Inventors: **Joshua Todd Druker**, Redwood City, CA (US); **Stephen John Senatore**, So San Francisco, CA (US); **Scott Andrew Brenneman**, Menlo Park, CA (US); **Peter Scott Young**, San Francisco, CA (US); **Alexander Robert Brown**, San Jose, CA (US); **Henry Kwang-Seop Sim**, Piedmont, CA (US)

U.S. PATENT DOCUMENTS

5,973,948	A	*	10/1999	Hahn et al.	363/146
D456,353	S	*	4/2002	Shown et al.	D13/110
D544,834	S	*	6/2007	Weinstein	D13/110
D546,283	S	*	7/2007	Cho	D13/110
D562,766	S	*	2/2008	Yang	D13/110

\* cited by examiner

*Primary Examiner* — Derrick Holland

(74) *Attorney, Agent, or Firm* — Baker Hostetler, LLP

(73) Assignee: **Intelligent Energy Limited**, Loughborough, Leicestershire (GB)

(57) **CLAIM**

The ornamental design for a power supply unit, as shown and described.

(\*\*) Term: **14 Years**

**DESCRIPTION**

(21) Appl. No.: **29/410,233**

FIG. 1 is a front elevation view of a power supply unit showing our new design;  
FIG. 2 is a rear elevation view thereof;  
FIG. 3 is a side elevation view thereof;  
FIG. 4 is an opposite side elevation view thereof;  
FIG. 5 is a top plan view thereof; and,  
FIG. 6 is a bottom plan view thereof.  
The broken lines shown represent unclaimed subject matter and form no part of the claimed design.

(22) Filed: **Jan. 5, 2012**

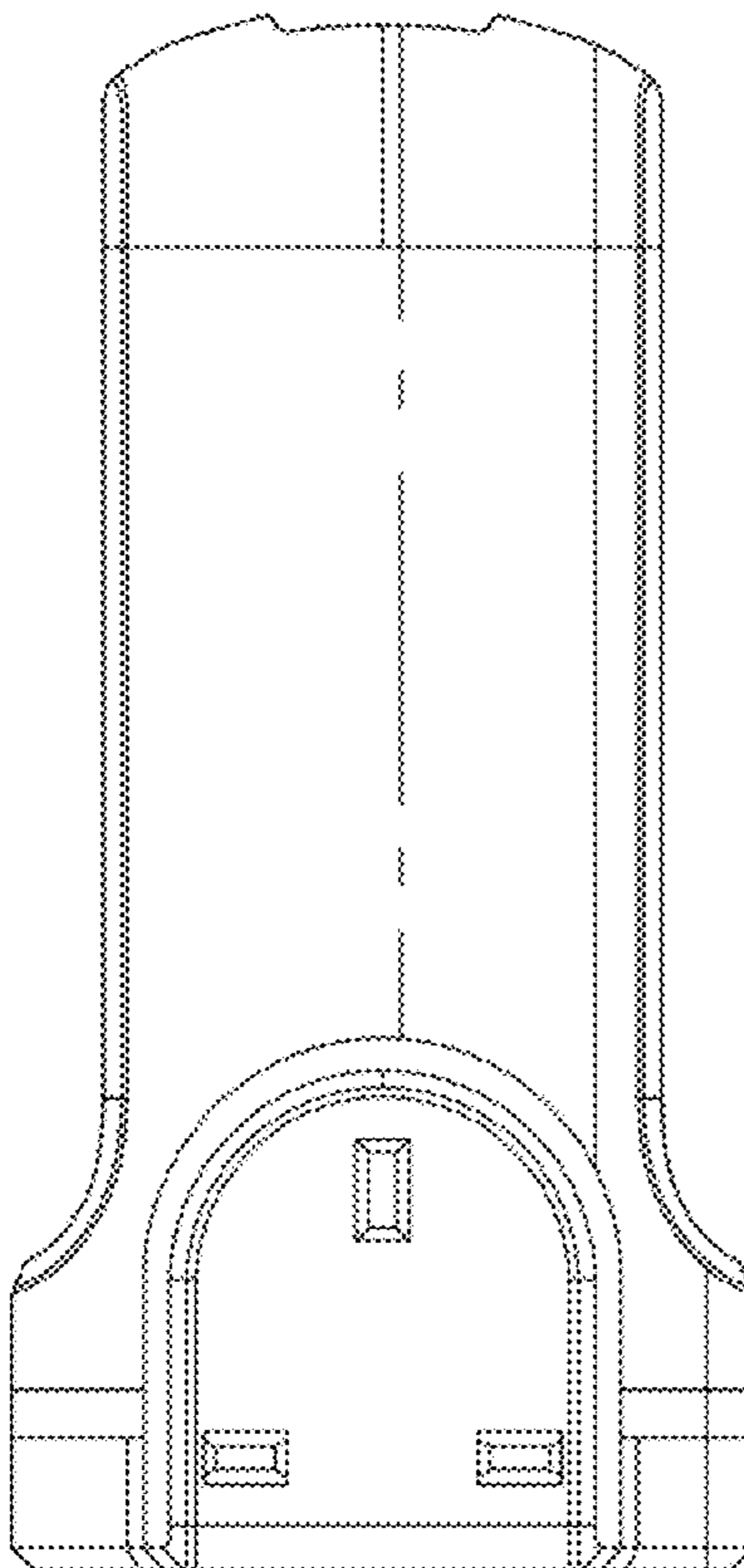
(51) **LOC (9) Cl.** ..... **13-02**

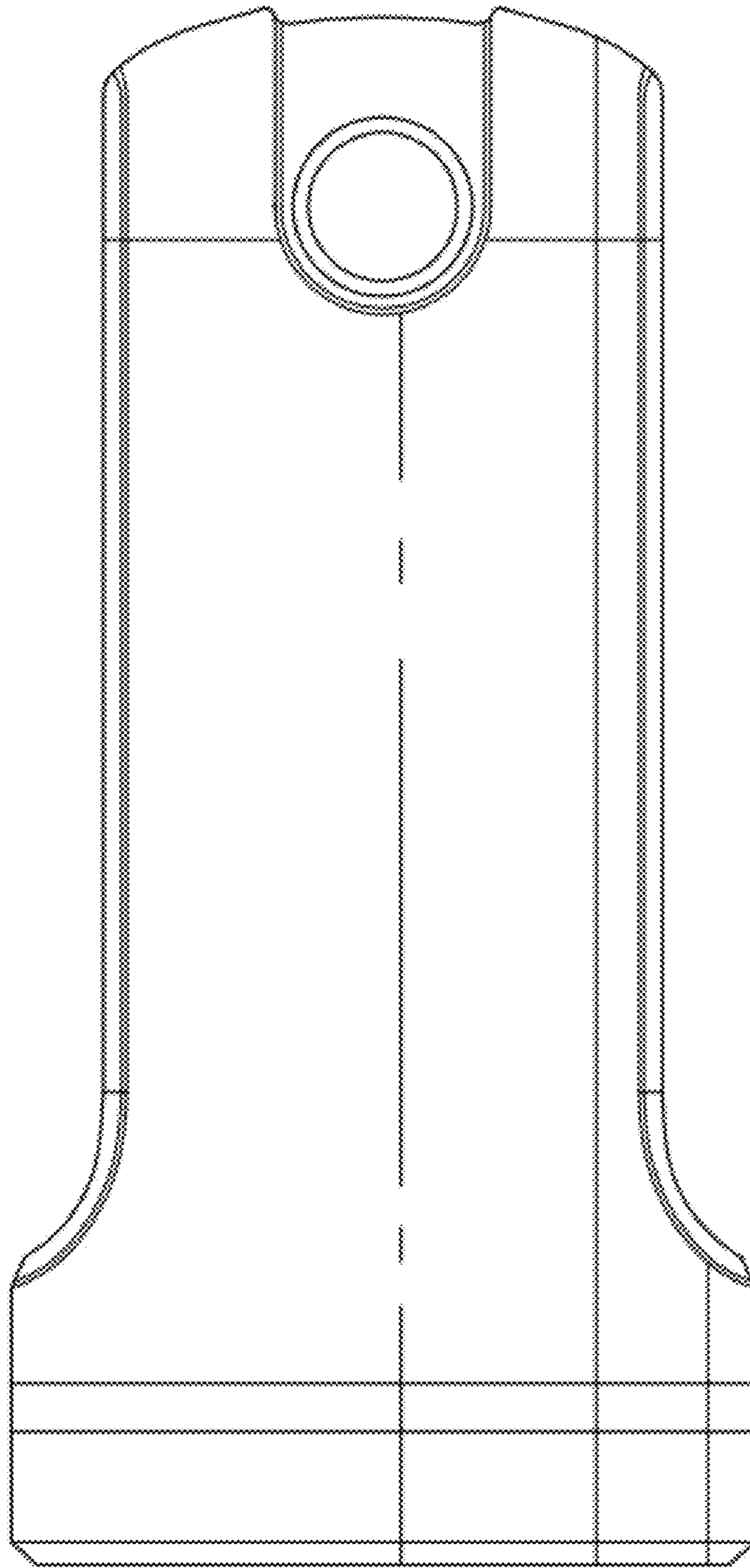
(52) **U.S. Cl.** ..... **D13/110**

(58) **Field of Classification Search** ..... D13/110, D13/108, 123, 133, 137.1, 199; 174/53, 174/54, 57, 59, 61; 307/150, 151; 320/111, 320/114; 363/132, 146; 439/105, 131, 166, 439/170–173, 218, 518, 692, 956

See application file for complete search history.

**1 Claim, 5 Drawing Sheets**





*FIG. 1*

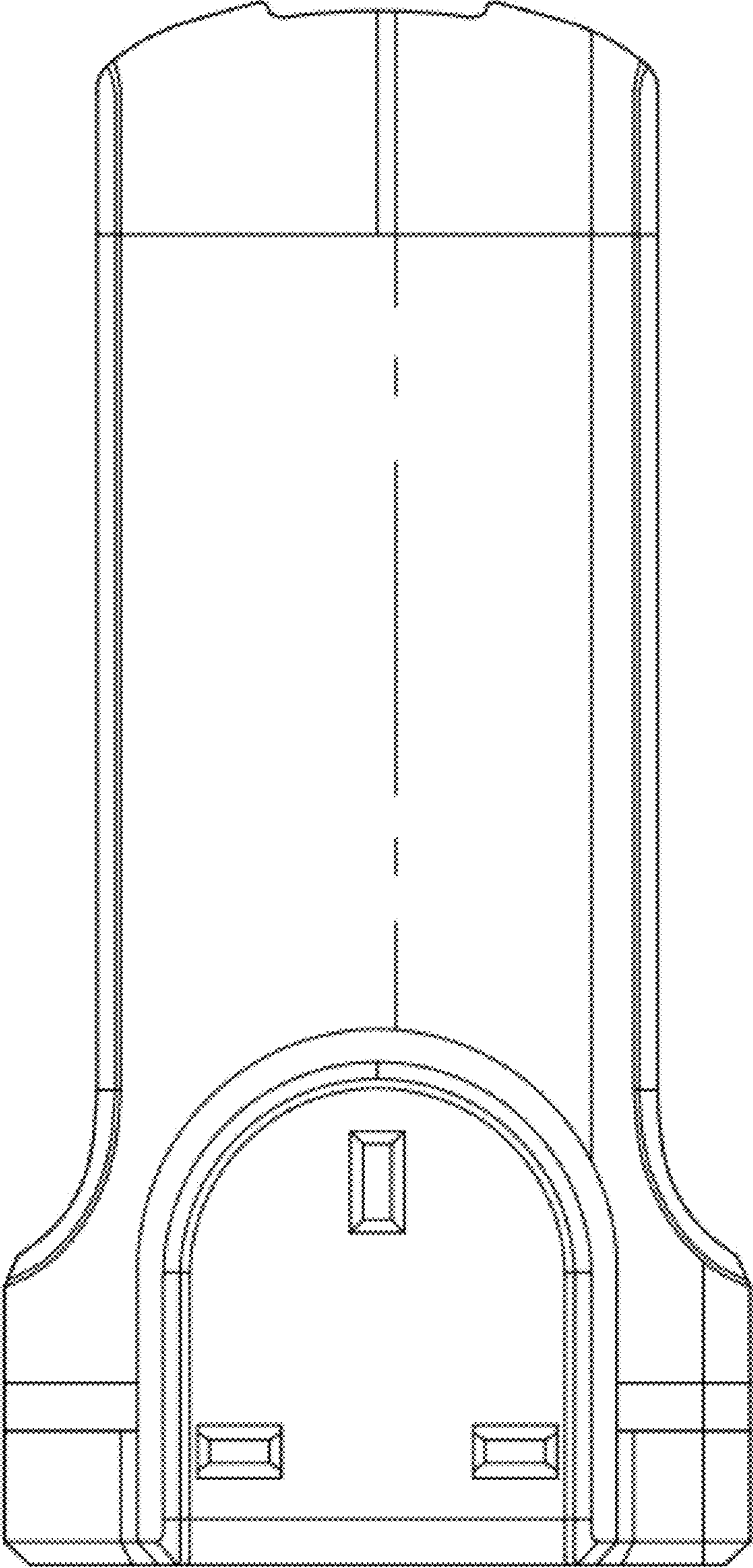
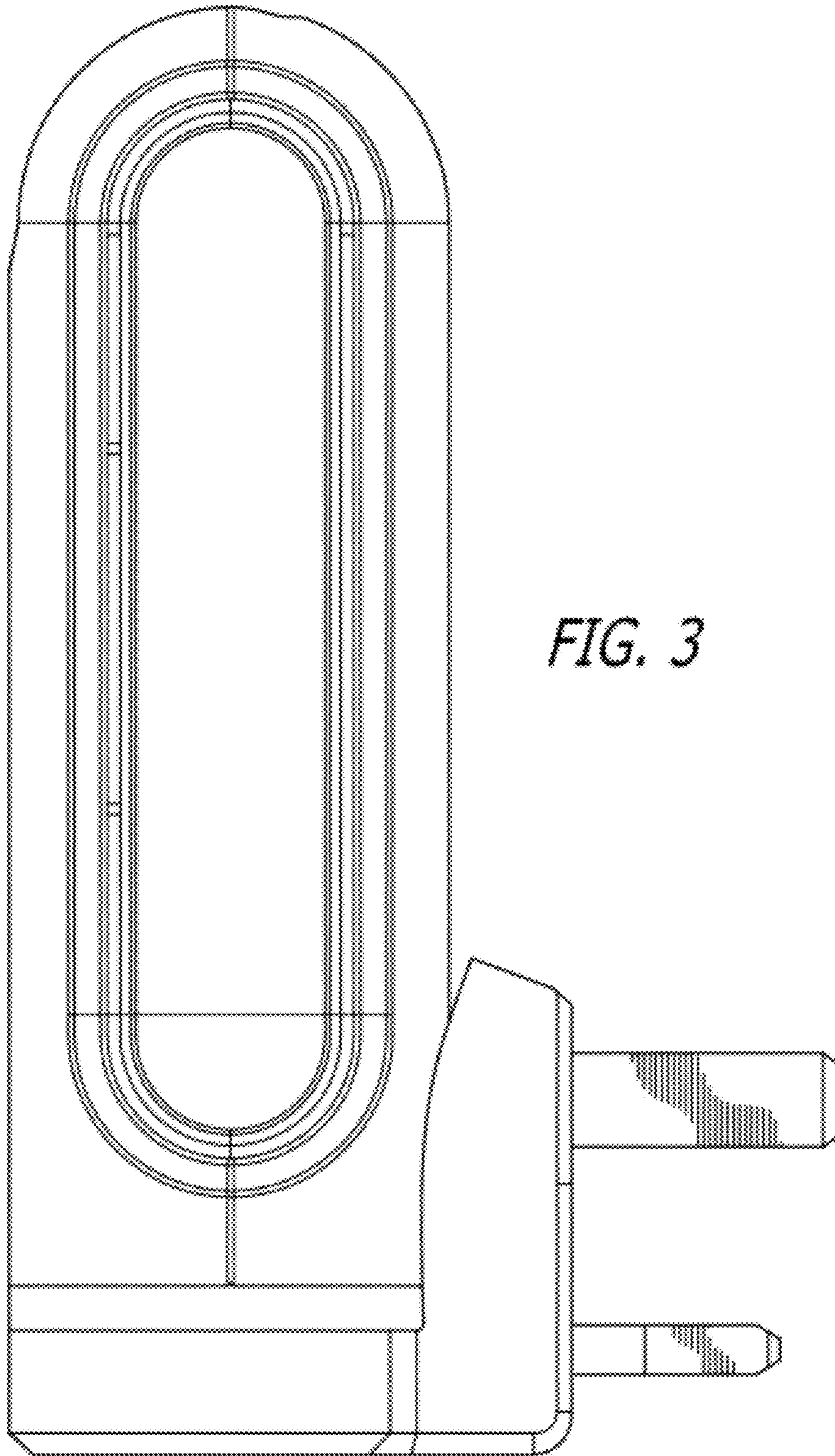


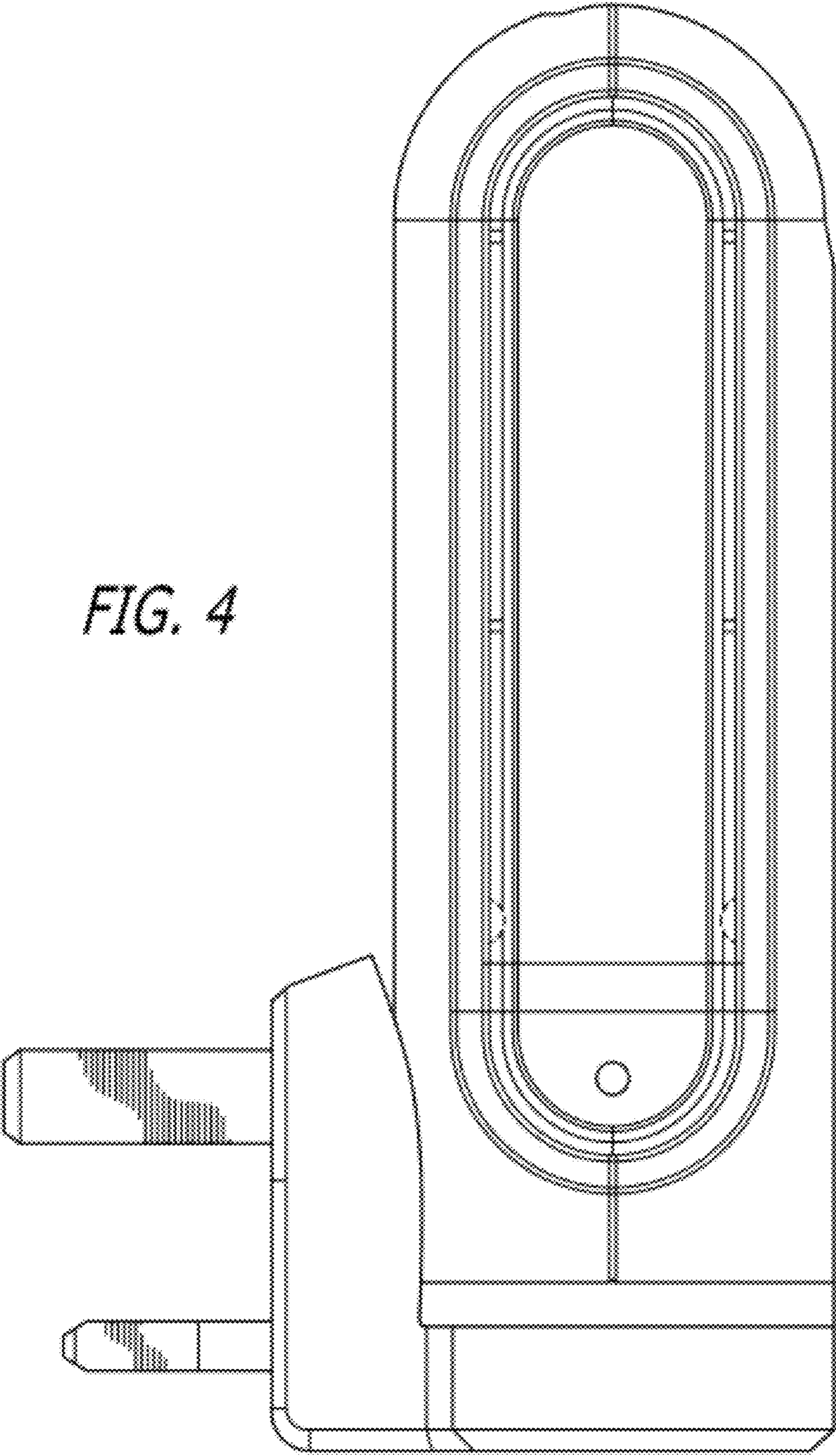
FIG. 2





*FIG. 3*

FIG. 4





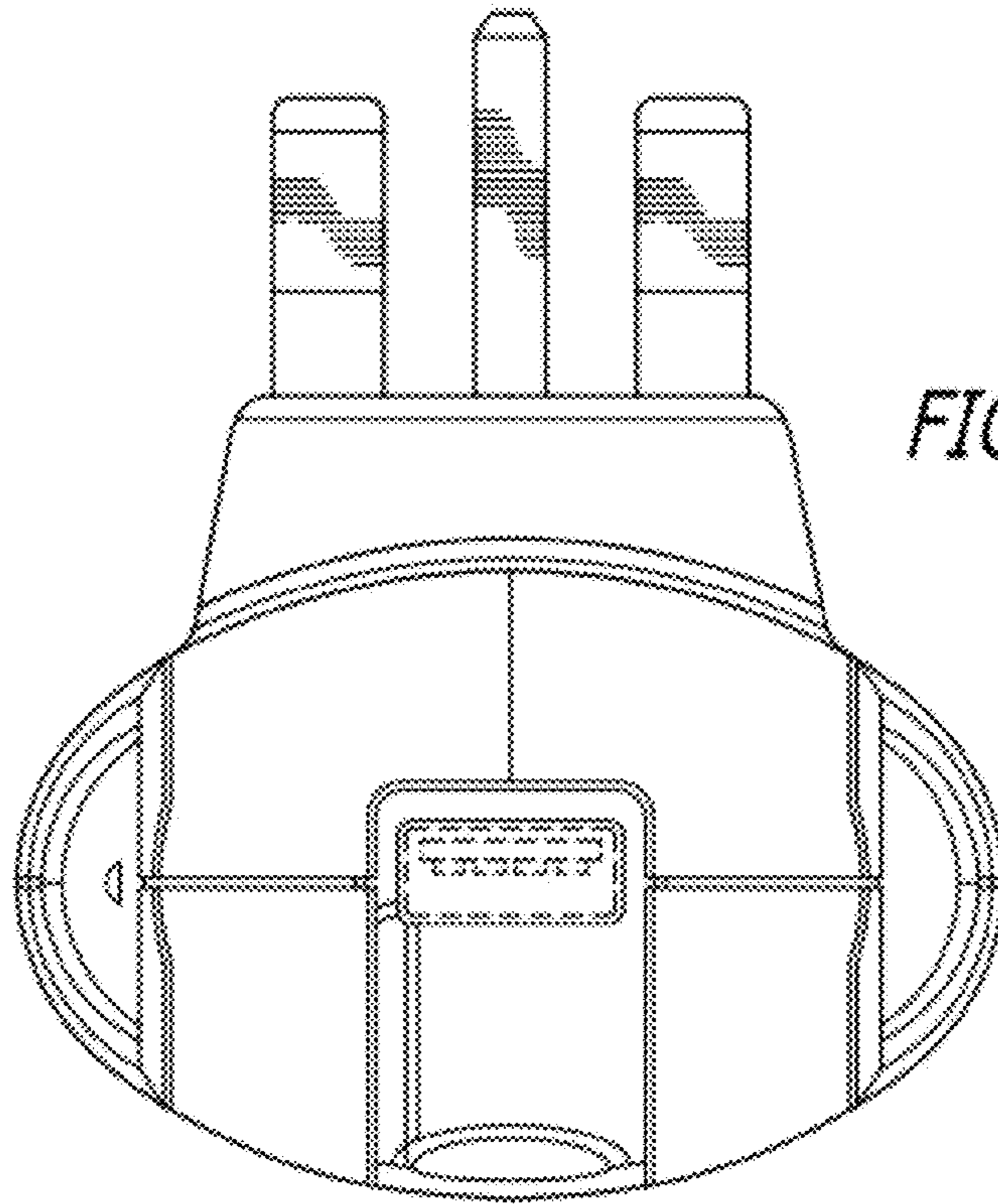


FIG. 5

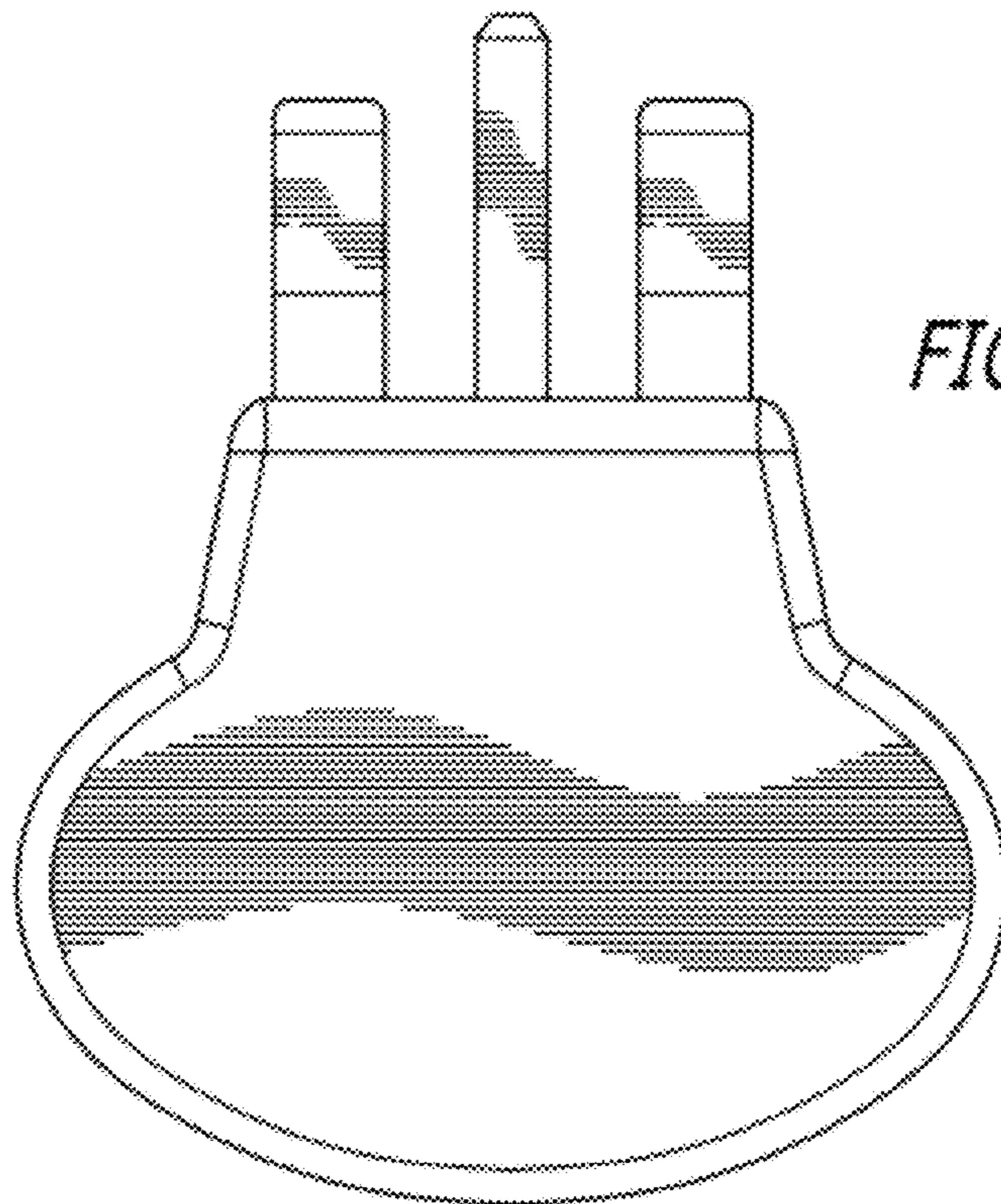


FIG. 6