

US00D667786S

(12) **United States Design Patent**
Ueda et al.

(10) **Patent No.:** **US D667,786 S**
(45) **Date of Patent:** **** Sep. 25, 2012**

(54) **CHARGER FOR A RECHARGEABLE BATTERY**

(75) Inventors: **Arinobu Ueda**, Tokyo (JP); **Ryo Okura**, Tokyo (JP)

(73) Assignee: **Sony Corporation**, Tokyo (JP)

(**) Term: **14 Years**

(21) Appl. No.: **29/371,727**

(22) Filed: **Aug. 1, 2011**

Related U.S. Application Data

(63) Continuation of application No. 29/347,299, filed on Nov. 25, 2009, now Pat. No. Des. 642,516.

(30) **Foreign Application Priority Data**

May 29, 2009 (JP) D2009-012234
May 29, 2009 (JP) D2009-012235
Jun. 2, 2009 (JP) D2009-012348
Jun. 2, 2009 (JP) D2009-012349

(51) **LOC (9) Cl.** **13-02**

(52) **U.S. Cl.** **D13/107**

(58) **Field of Classification Search** D13/107-110, D13/118-119, 133, 147, 184, 199; D14/251, D14/253, 432, 434; 320/107-115
See application file for complete search history.

(56) **References Cited**

U.S. PATENT DOCUMENTS

4,608,528 A * 8/1986 Stillwell 320/113
D316,853 S 5/1991 Dickey
5,308,716 A 5/1994 Shababy et al.
D351,133 S 10/1994 Jungels-Butler et al.
D394,055 S 5/1998 Tyler
D409,136 S 5/1999 Sumita et al.
D440,201 S 4/2001 Huynh et al.
D491,137 S 6/2004 Suzuki
D491,144 S 6/2004 Jiang

D499,099 S 11/2004 Su et al.
D502,947 S 3/2005 Zhang et al.
D508,018 S 8/2005 Yokota
D516,021 S 2/2006 Cheng
D516,026 S * 2/2006 Barrett et al. D13/108
D519,919 S 5/2006 Yokota
D525,194 S 7/2006 Nagai et al.
D526,612 S 8/2006 Sugeno et al.
D538,223 S * 3/2007 Yang D13/107
D559,177 S 1/2008 Ueda
D562,818 S 2/2008 Chen
D569,876 S * 5/2008 Griffin D14/496
D571,718 S 6/2008 Morris et al.
D594,866 S 6/2009 Lin
D604,725 S 11/2009 Chen
D607,879 S * 1/2010 Ferber et al. D14/217
D623,128 S * 9/2010 Dinh et al. D13/107
D624,500 S 9/2010 Chan
D624,548 S 9/2010 Yamamoto

(Continued)

Primary Examiner — Rosemary K Tarcza

(74) *Attorney, Agent, or Firm* — Rader, Fishman & Grauer PLLC

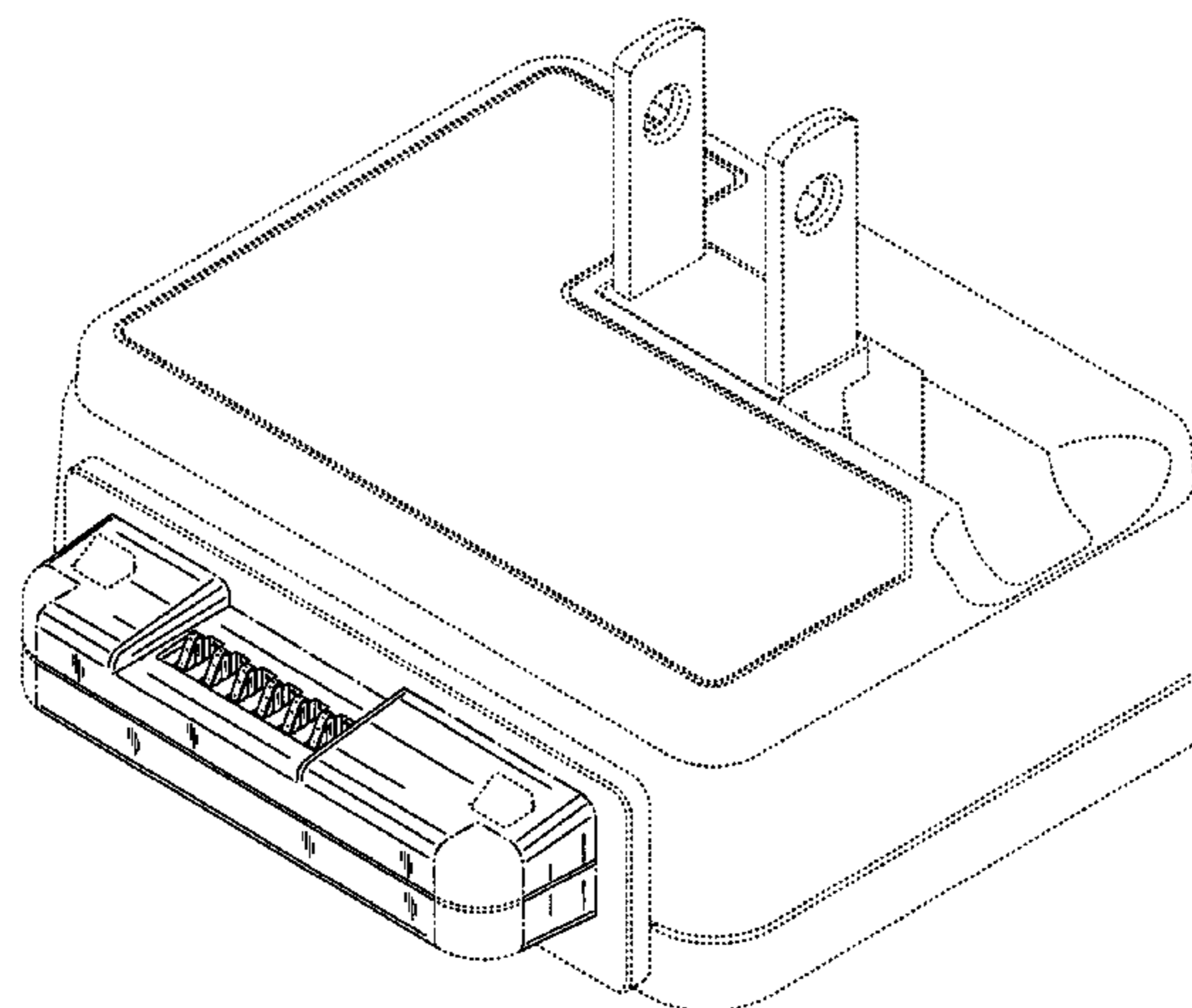
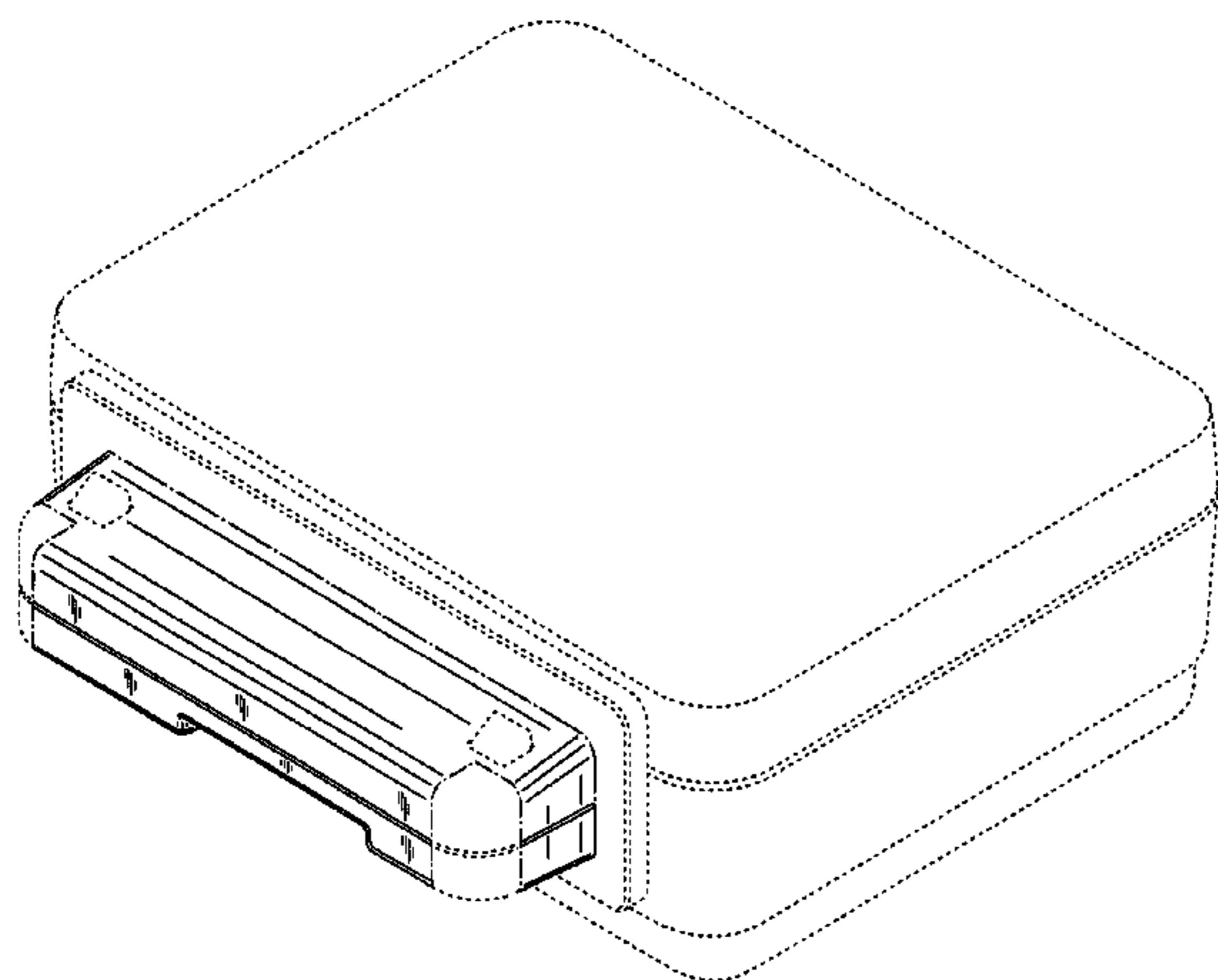
(57) **CLAIM**

The ornamental design for a charger for a rechargeable battery, as shown and described.

DESCRIPTION

FIG. 1 is a top, right, front perspective view of a charger for a rechargeable battery showing our new design; FIG. 2 is a bottom left, front perspective view thereof; FIG. 3 is a front elevational view thereof; FIG. 4 is a rear elevational view thereof; FIG. 5 is a left side elevational view thereof; FIG. 6 is a right side elevational view thereof; and, FIG. 7 is a bottom plan view thereof. Portions in broken lines are for illustrative purpose only and form no part of the claimed design. The dot-dash broken lines define but are not included in, the boundaries of the claimed design.

1 Claim, 6 Drawing Sheets



US D667,786 S

Page 2

U.S. PATENT DOCUMENTS			
D626,072	S	10/2010	Tseng et al.
D627,729	S	11/2010	Smith et al.
D631,837	S	2/2011	Smith et al.
D631,885	S	2/2011	Maier
D636,723	S *	4/2011	Yamamoto et al. D13/107
D638,788	S *	5/2011	Daniel D13/108
D642,979	S *	8/2011	Chun et al. D13/108
D649,932	S *	12/2011	Symons D13/108
D652,377	S *	1/2012	Butts et al. D13/107
D652,378	S *	1/2012	Liao D13/108
2007/0229025	A1	10/2007	Tsai et al.

* cited by examiner

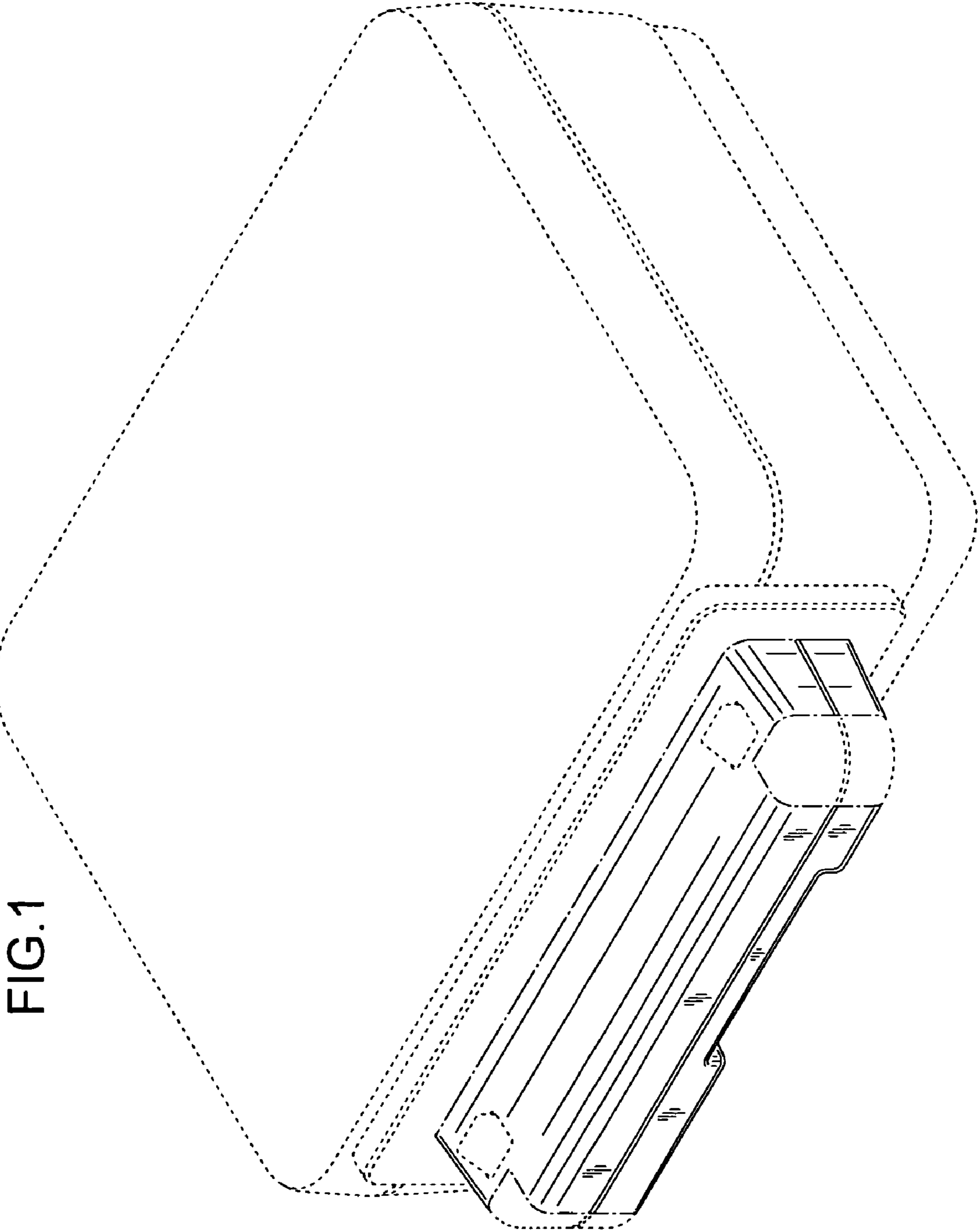


FIG. 1

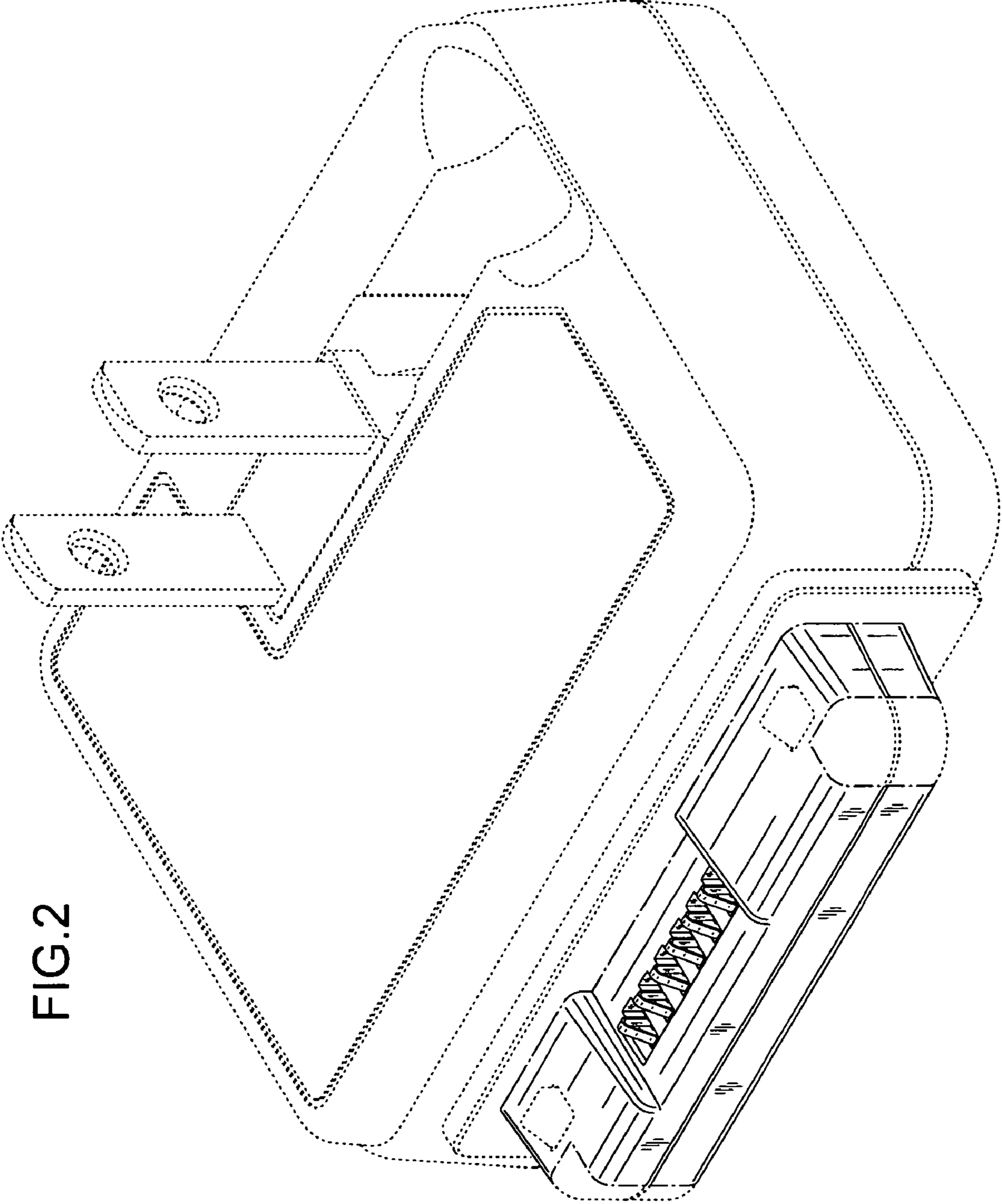


FIG. 2

FIG.3

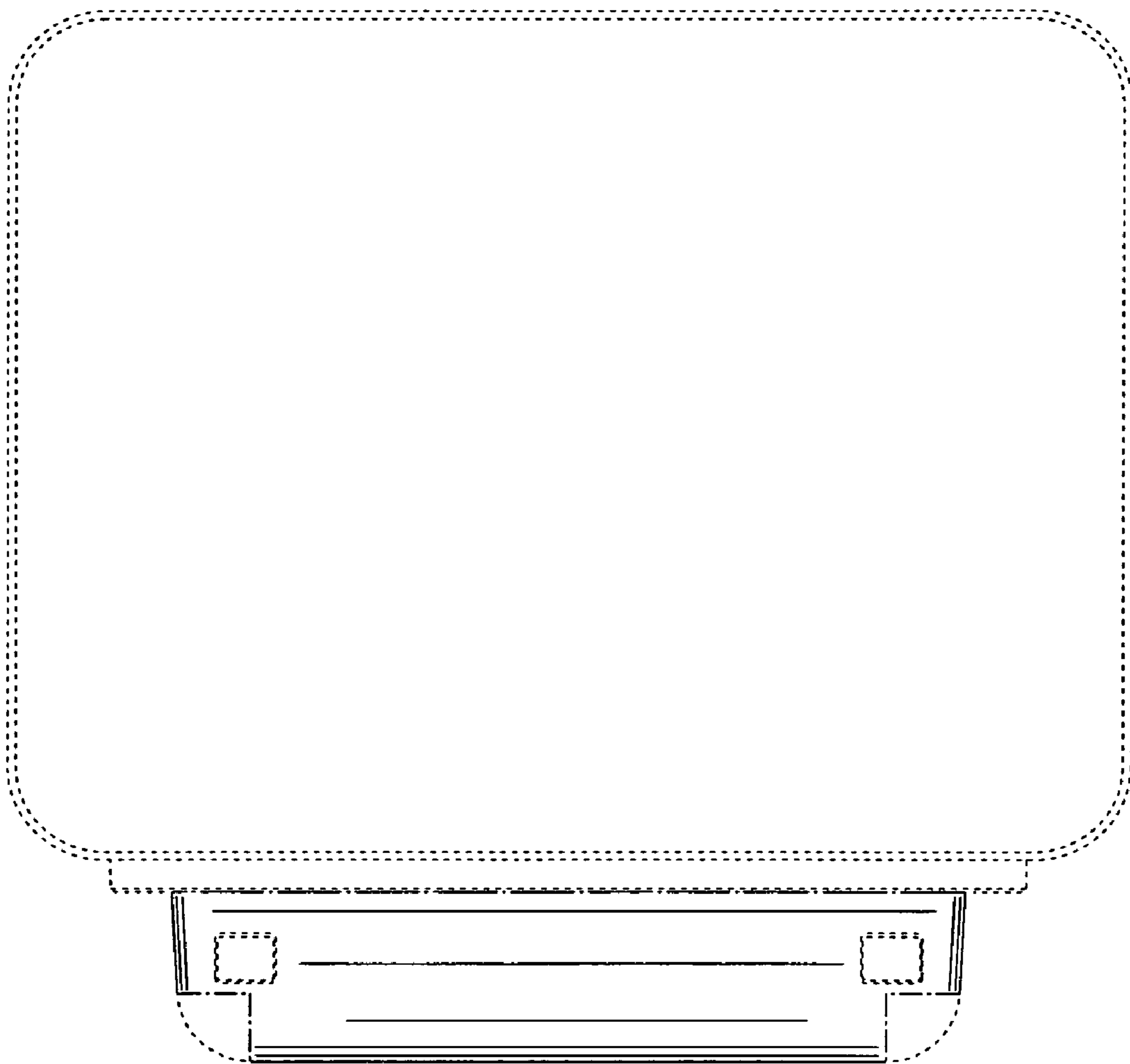


FIG.4

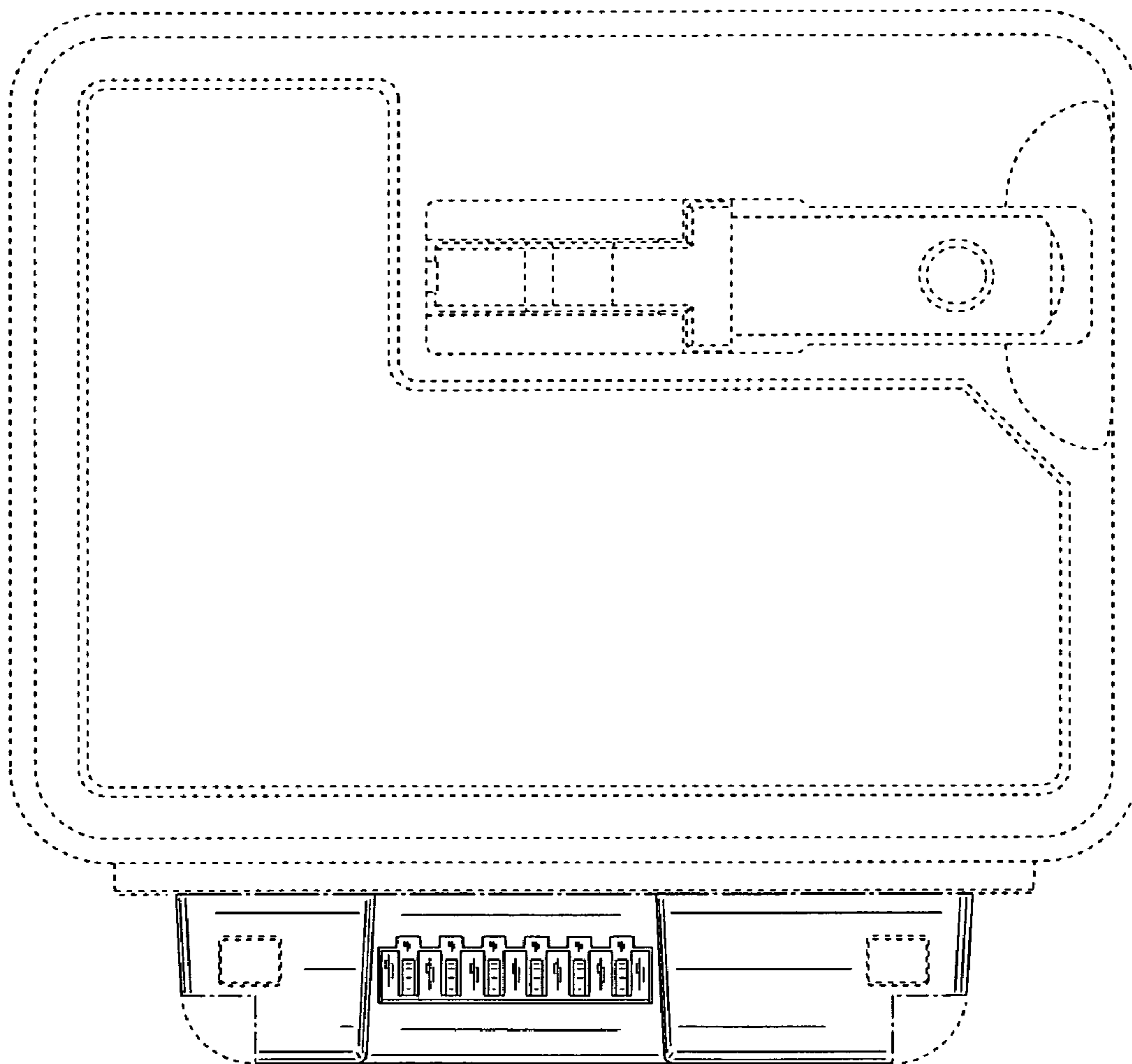


FIG.5

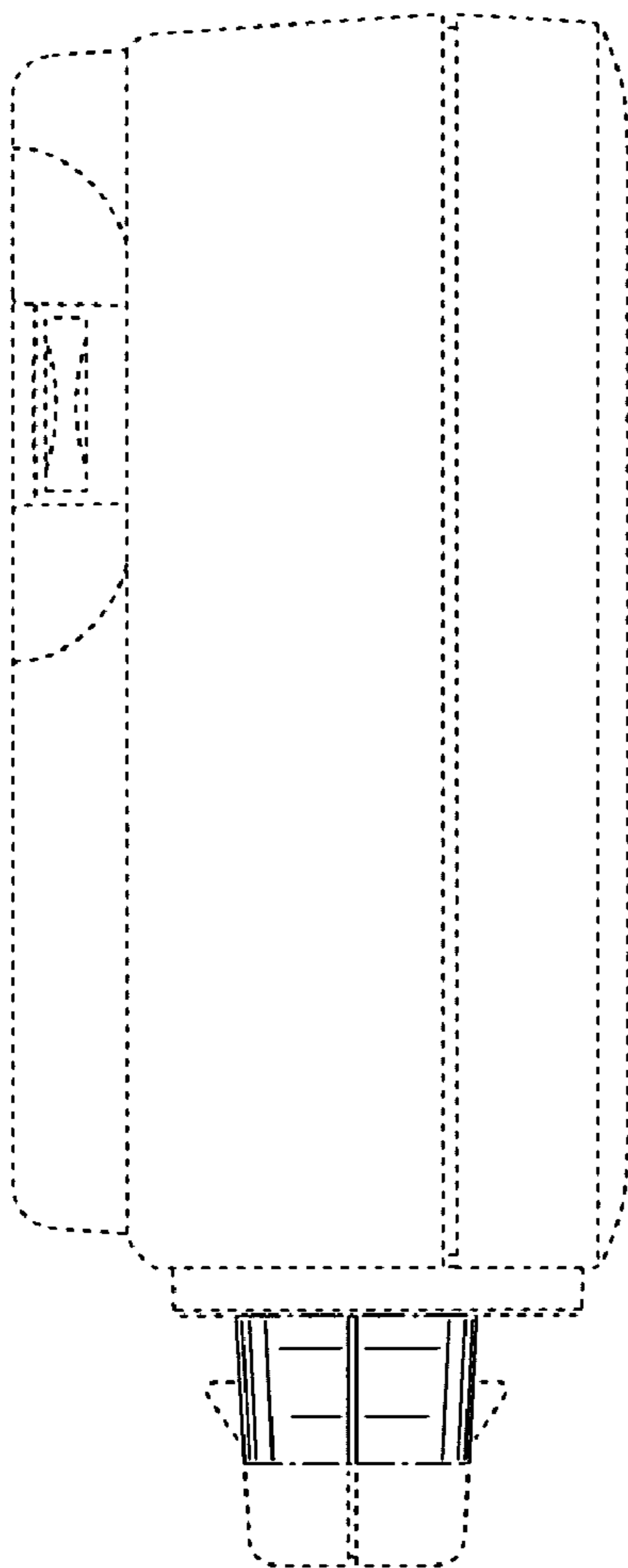


FIG.6

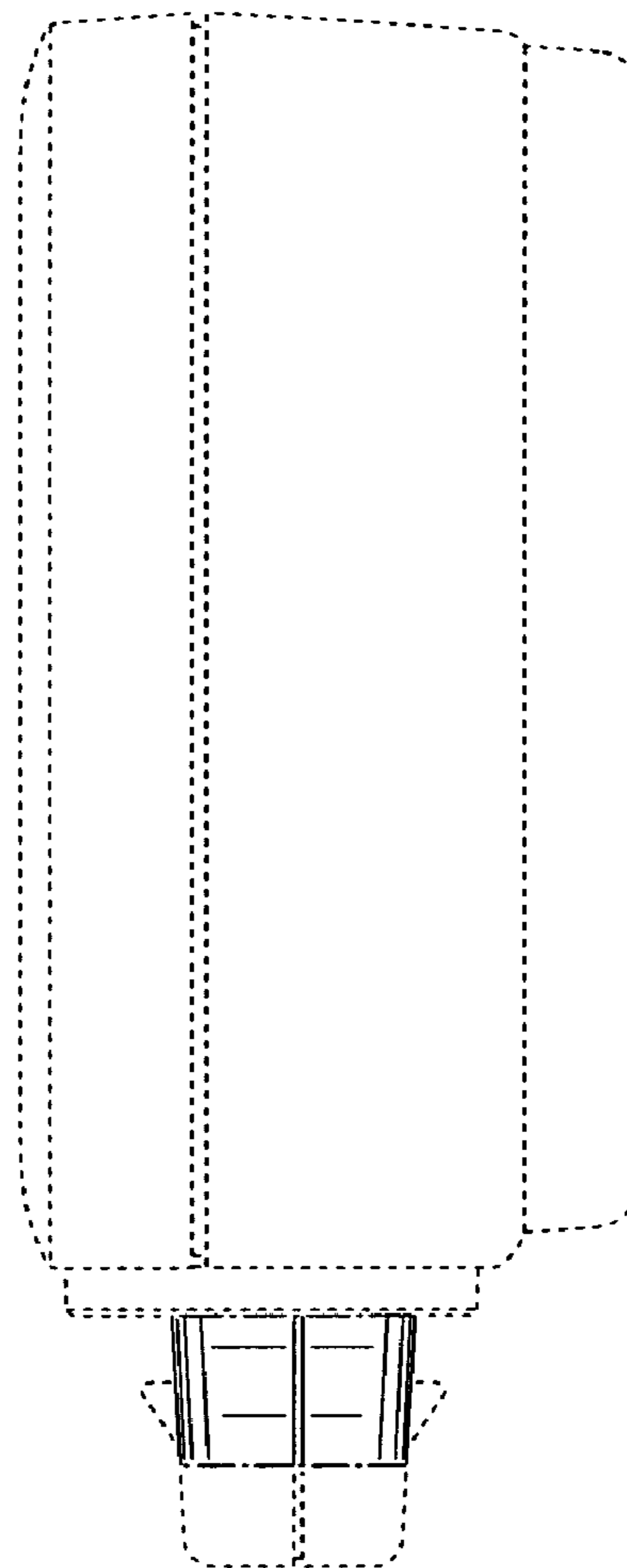


FIG.7

