



US00D667785S

(12) **United States Design Patent**
Ueda et al.

(10) **Patent No.:** **US D667,785 S**
(45) **Date of Patent:** **** Sep. 25, 2012**

(54) **BATTERY CHARGER**

(75) Inventors: **Arinobu Ueda**, Tokyo (JP); **Yozo Matsuzaka**, Tokyo (JP); **Osamu Miki**, Tokyo (JP)

(73) Assignee: **Sony Corporation**, Tokyo (JP)

(**) Term: **14 Years**

(21) Appl. No.: **29/371,633**

(22) Filed: **Jun. 13, 2011**

Related U.S. Application Data

(63) Continuation-in-part of application No. 29/309,326, filed on Jul. 25, 2008, now Pat. No. Des. 639,732.

(30) **Foreign Application Priority Data**

Jun. 5, 2008 (JP) D2008-014263
Jun. 5, 2008 (JP) D2008-014264
Jun. 5, 2008 (JP) D2008-014265
Jun. 5, 2008 (JP) D2008-014266
Jun. 5, 2008 (JP) D2008-014267

(51) **LOC (9) Cl.** **13-02**

(52) **U.S. Cl.** **D13/107**

(58) **Field of Classification Search** D13/107-110,
D13/118-119, 184; D14/251, 253, 432,
D14/434; 320/107-115
See application file for complete search history.

(56) **References Cited**

U.S. PATENT DOCUMENTS

D336,281 S * 6/1993 Nakamura et al. D13/107
D344,261 S 2/1994 Watanabe
D346,798 S * 5/1994 Nagele D14/149
D442,544 S 5/2001 Ku
D445,975 S * 7/2001 Stratford D32/31
D456,004 S 4/2002 Lie

D463,360 S 9/2002 Lie
D465,452 S 11/2002 Lie
D466,075 S 11/2002 Lie
D472,896 S * 4/2003 Peiker D14/253
D515,501 S 2/2006 Kawasaki
D517,477 S * 3/2006 Yamagishi D13/107
D532,004 S * 11/2006 Kettula et al. D14/253
D532,370 S 11/2006 Shimizu
D562,761 S 2/2008 Ueda et al.
D563,313 S 3/2008 Ueda et al.
D571,722 S 6/2008 Kang et al.

(Continued)

FOREIGN PATENT DOCUMENTS

JP D1071213/1 S 5/2000

(Continued)

OTHER PUBLICATIONS

Office Action (Taiwan) Aug. 6, 2009.

Primary Examiner — Rosemary K Tarcza

(74) *Attorney, Agent, or Firm* — Rader, Fishman & Grauer PLLC

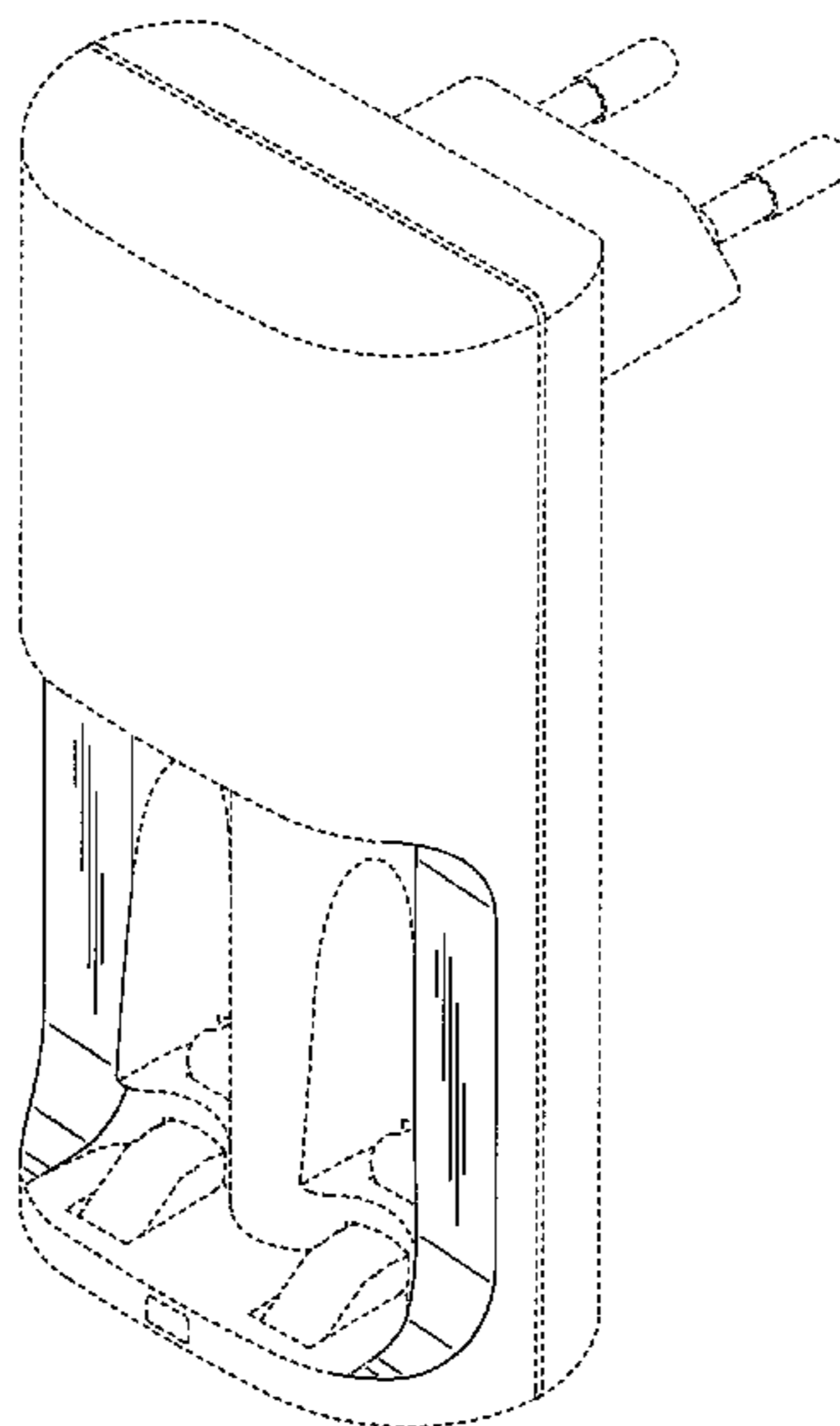
(57) **CLAIM**

The ornamental design for a battery charger, as shown and described.

DESCRIPTION

FIG. 1 is a perspective view of a first embodiment of a battery charger showing our new design;
FIG. 2 is a front elevational view thereof;
FIG. 3 is a left side elevational view thereof; and
FIG. 4 is a right side elevational view thereof.
FIG. 5 is a perspective view of a second embodiment of a battery charger showing our new design;
FIG. 6 is a front elevational view thereof;
FIG. 7 is a left side elevational view thereof; and,
FIG. 8 is a right side elevational view thereof.

1 Claim, 8 Drawing Sheets



US D667,785 S

Page 2

U.S. PATENT DOCUMENTS

D573,088 S * 7/2008 Castellucci et al. D13/107
D574,321 S * 8/2008 Osiecki et al. D13/107
D576,546 S * 9/2008 Yang D13/107
D598,845 S 8/2009 Kingston et al.
D599,287 S 9/2009 Kingston et al.
D599,735 S * 9/2009 Amidei et al. D13/107
D605,645 S * 12/2009 Kettula D14/253
D623,130 S 9/2010 Kawakami et al.

D639,732 S * 6/2011 Ueda D13/107
D650,328 S * 12/2011 Fitch et al. D13/107

FOREIGN PATENT DOCUMENTS

JP D1172750 S 5/2003
JP D1178147 S 6/2003
TW D397631 S 7/2000
TW D105070 S 6/2005

* cited by examiner

FIG.1

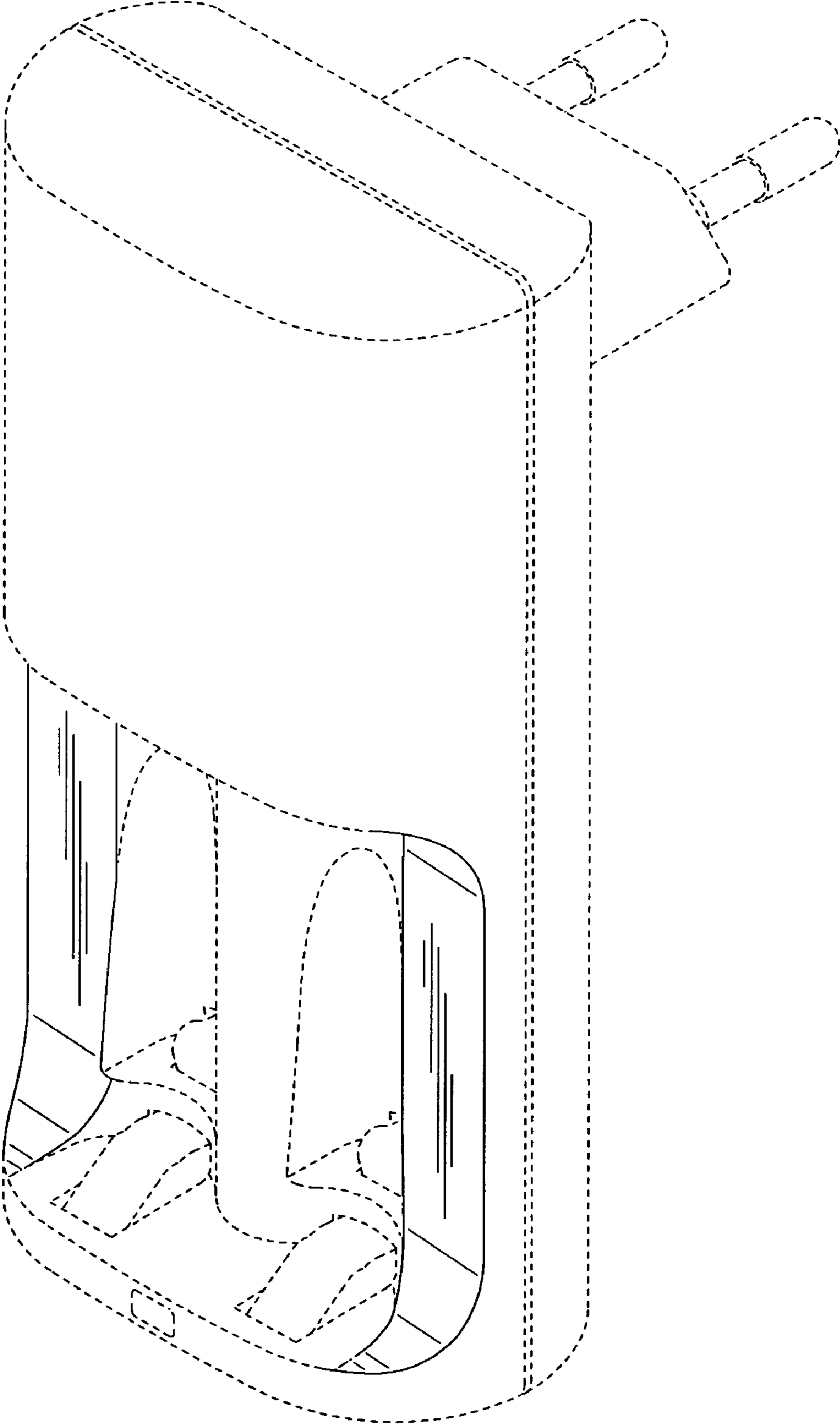


FIG.2

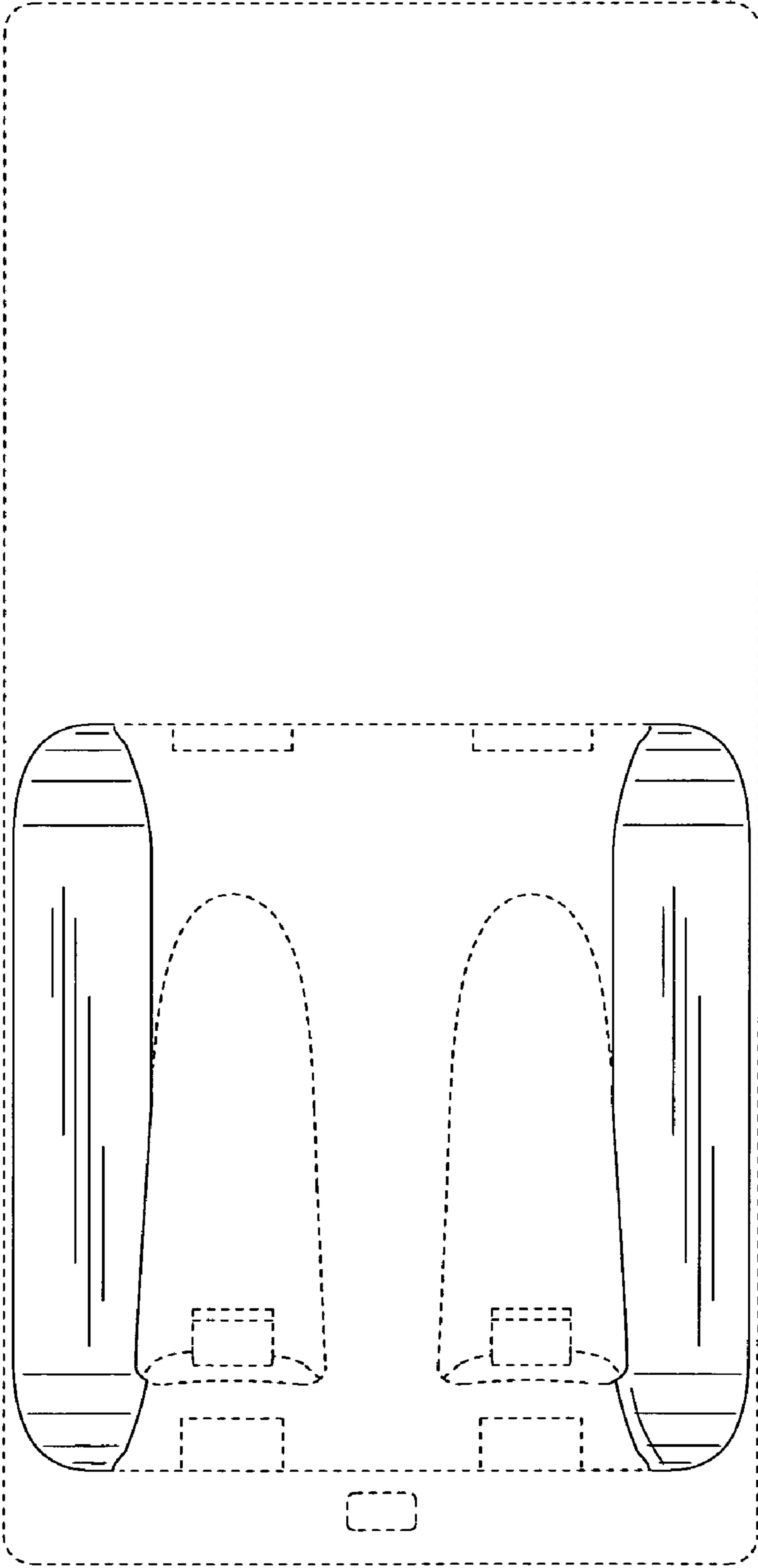


FIG.3

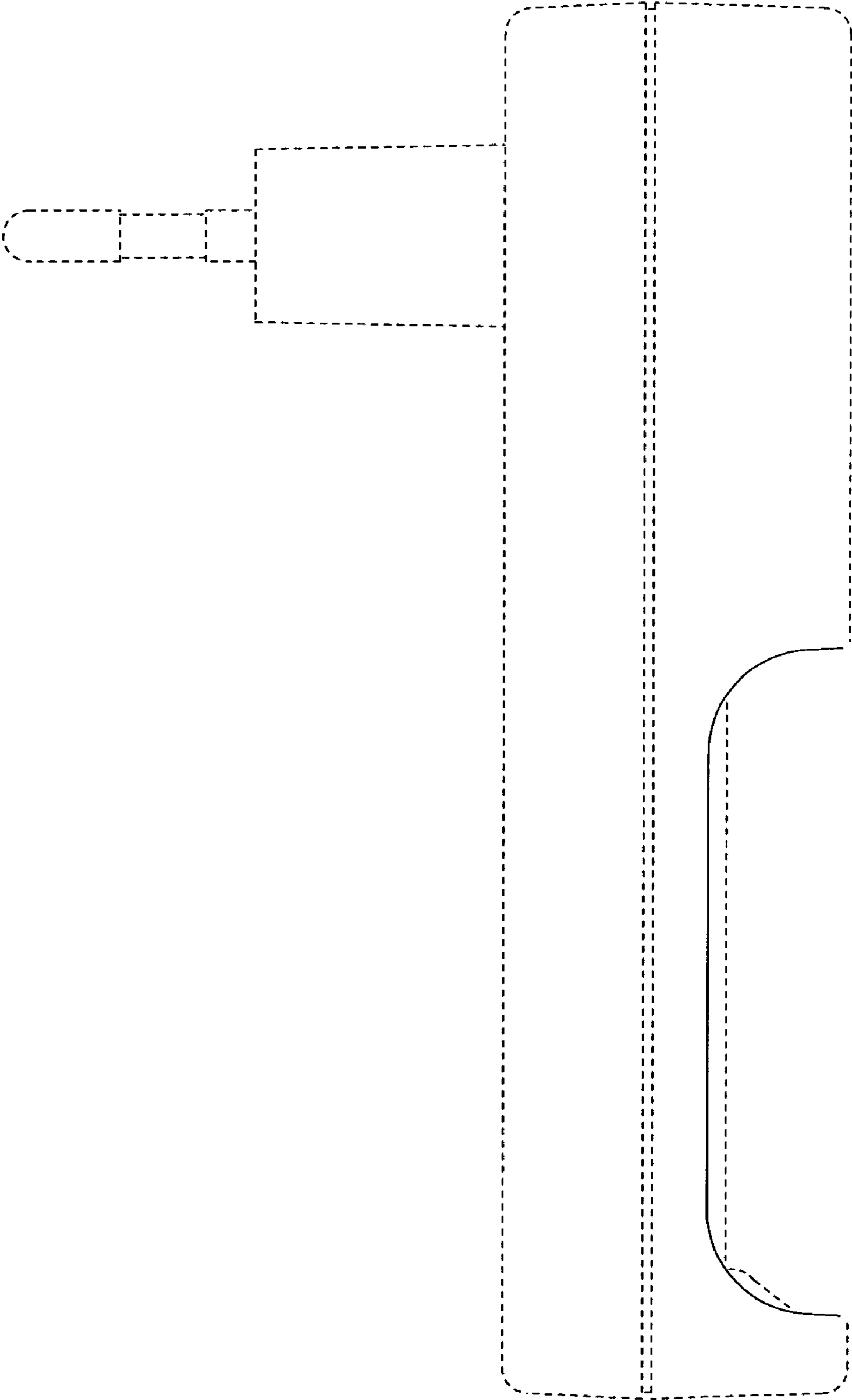


FIG.4

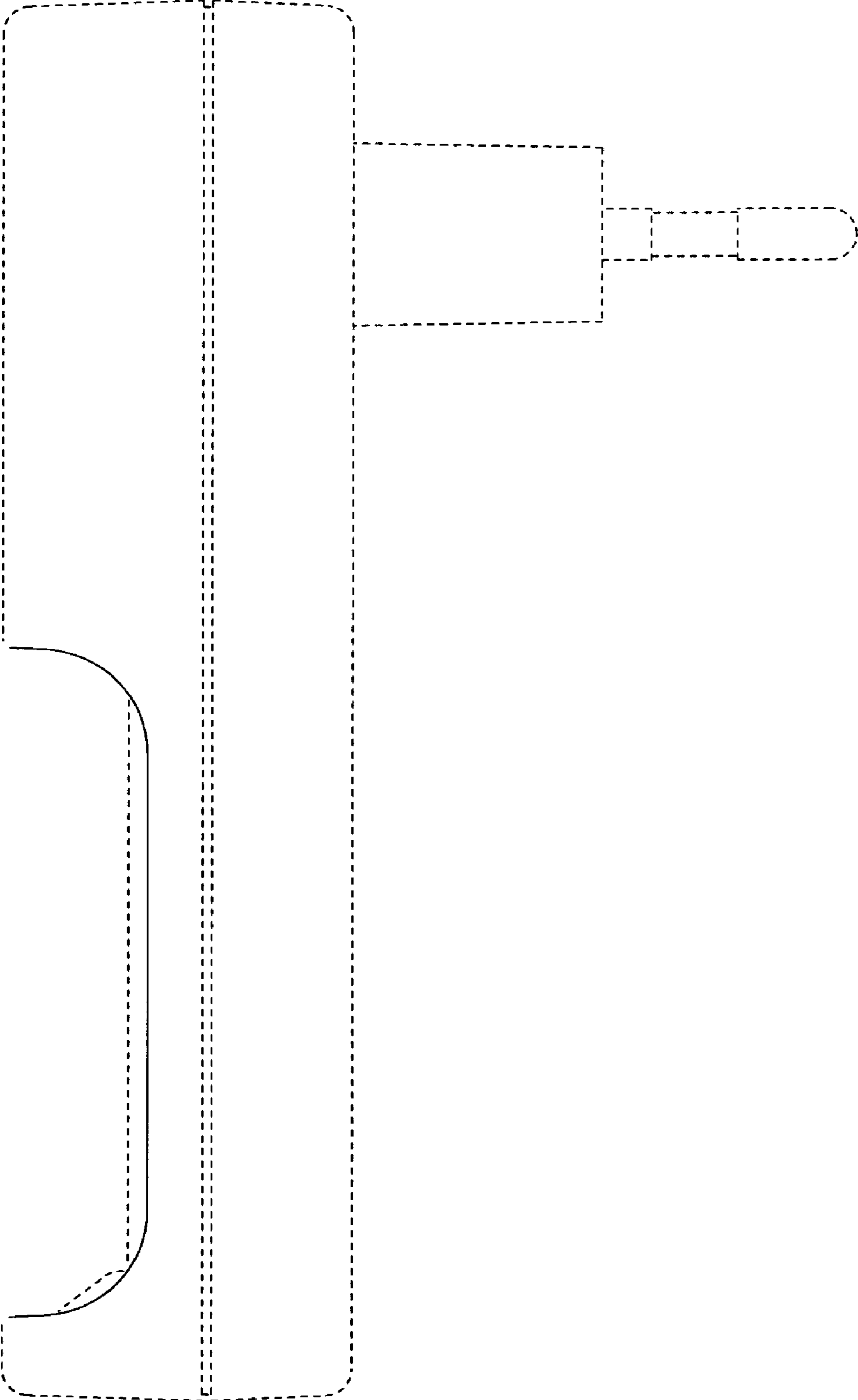


FIG.5

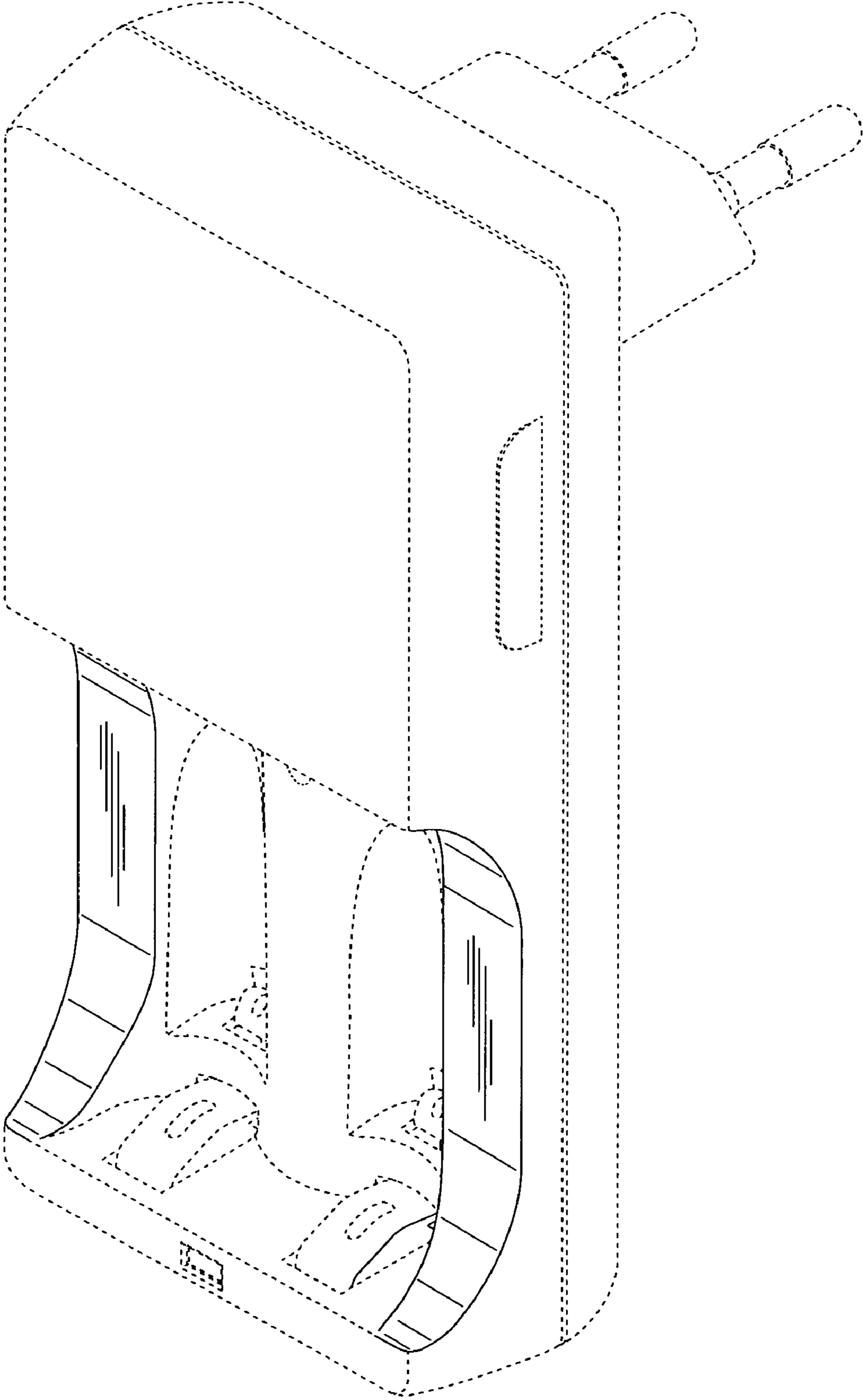


FIG.6

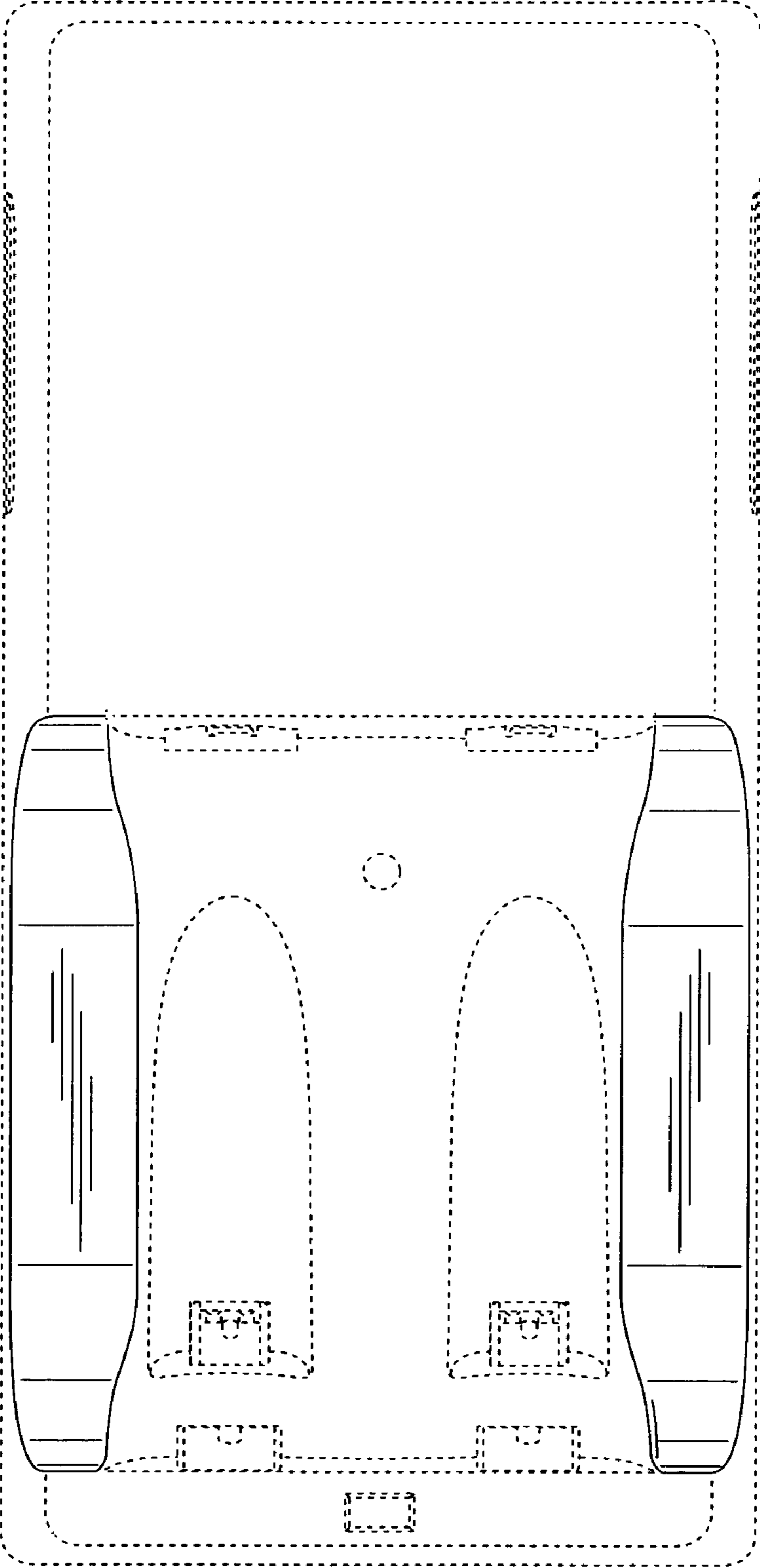


FIG.7

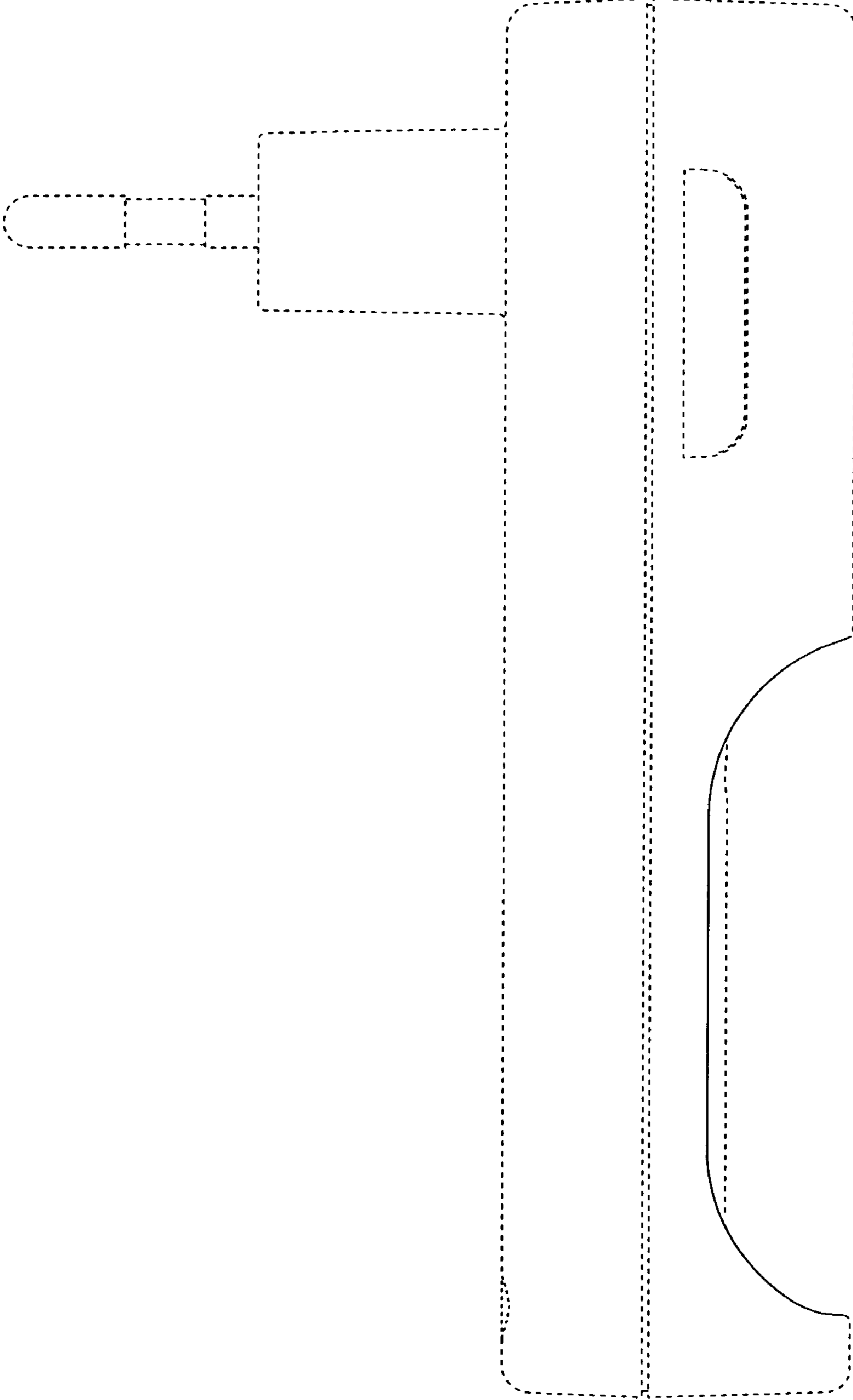


FIG.8

