

US00D667775S

(12) **United States Design Patent**
Rittweger

(10) **Patent No.:** **US D667,775 S**

(45) **Date of Patent:** **** Sep. 25, 2012**

(54) **TIRE TREAD FOR A VEHICLE TIRE**

(75) Inventor: **Stefan Rittweger**, Hanover (DE)

(73) Assignee: **Continental Reifen Deutschland GmbH**, Hannover (DE)

(**) Term: **14 Years**

(21) Appl. No.: **29/368,436**

(22) Filed: **Aug. 24, 2010**

(30) **Foreign Application Priority Data**

Mar. 26, 2010 (EM) 1687138-0001

(51) **LOC (9) Cl.** **12-15**

(52) **U.S. Cl.** **D12/515; D12/517**

(58) **Field of Classification Search** D12/505-532,
D12/900-901; 152/209.1-209.9, 209.11-209.19,
152/209.21-209.28, 455

See application file for complete search history.

(56) **References Cited**

U.S. PATENT DOCUMENTS

D332,073 S *	12/1992	Hasegawa	D12/518
D368,684 S *	4/1996	Scarpitti et al.	D12/517
D517,976 S *	3/2006	Raatikainen	D12/518
D586,723 S *	2/2009	Heinen et al.	D12/517

D598,363 S *	8/2009	Misumi	D12/515
D615,024 S *	5/2010	Lee	D12/515
D628,951 S *	12/2010	Frappart et al.	D12/515
D647,453 S *	10/2011	Nomura et al.	D12/517
D651,159 S *	12/2011	Scharis et al.	D12/517
D654,425 S *	2/2012	Nomura et al.	D12/517
D654,847 S *	2/2012	Miyazaki	D12/517

* cited by examiner

Primary Examiner — Stacia Cadmus

(74) *Attorney, Agent, or Firm* — Laurence A. Greenberg;
Werner H. Stemer; Ralph E. Locher

(57) **CLAIM**

The ornamental design for a tire tread of a vehicle tire, as shown and described.

DESCRIPTION

FIG. 1 is a perspective view of the vehicle tire, showing my new design;

FIG. 2 is a front elevational view thereof;

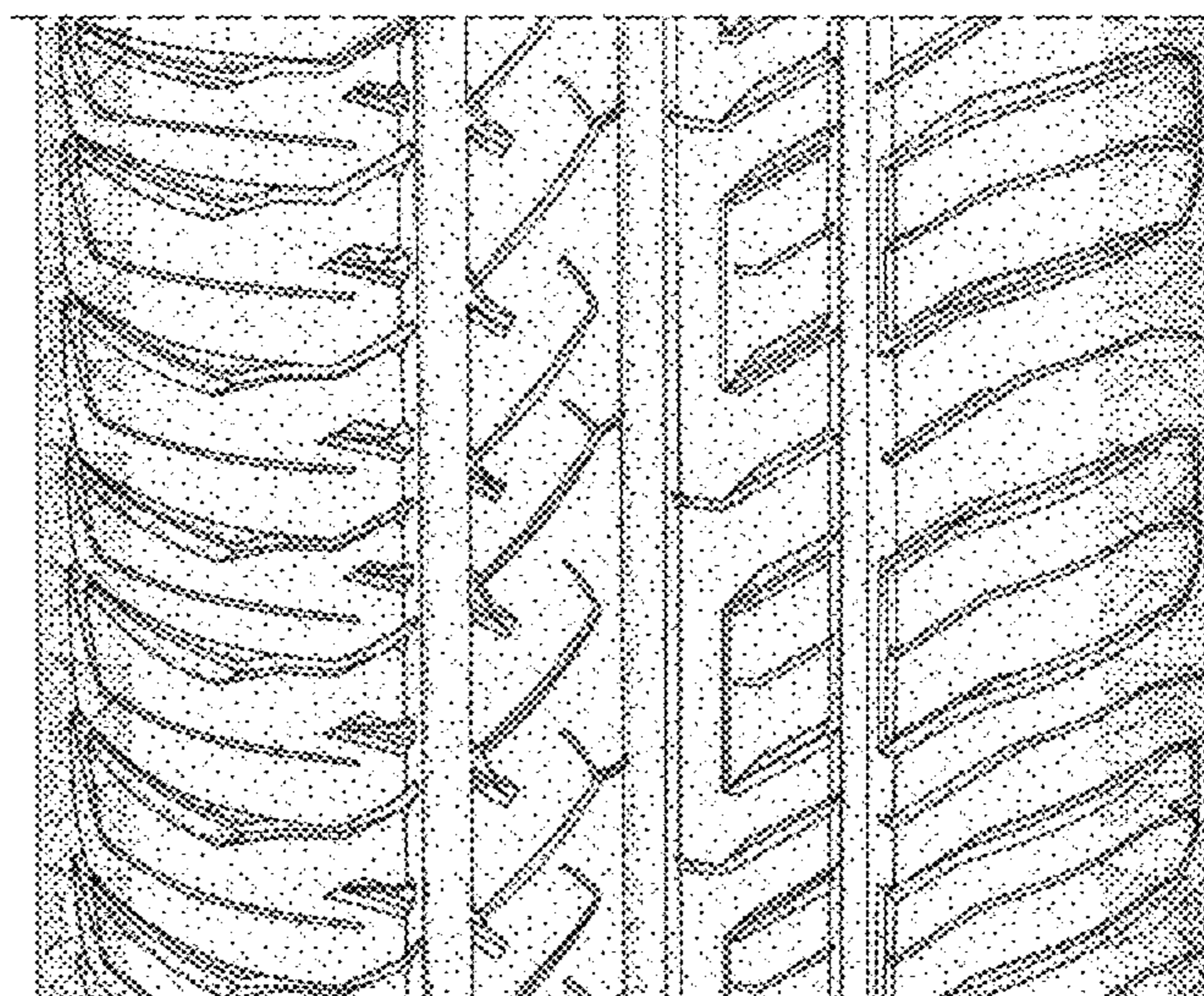
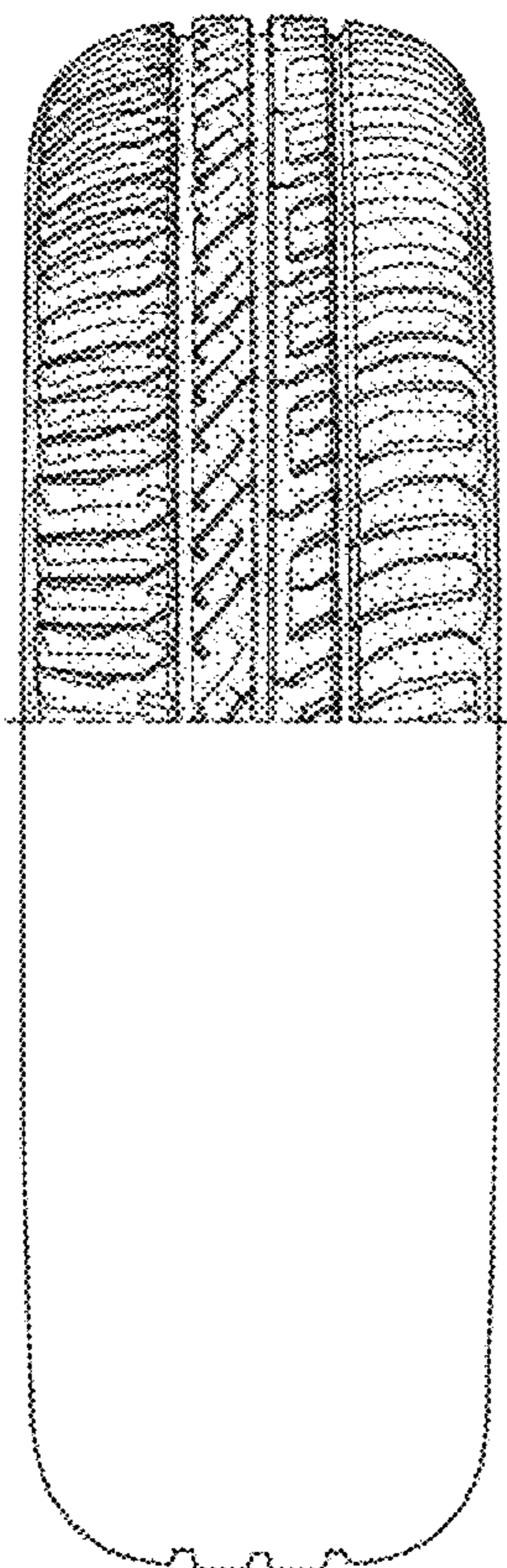
FIG. 3 is an enlarged partial front view thereof;

FIG. 4 is a left side elevational view thereof; and,

FIG. 5 is a right side elevational view thereof.

While only portions of the tread design are shown, it should be understood that the tread covers the tire circumferentially in its entirety. Dashed lines show unclaimed subject matter.

1 Claim, 5 Drawing Sheets



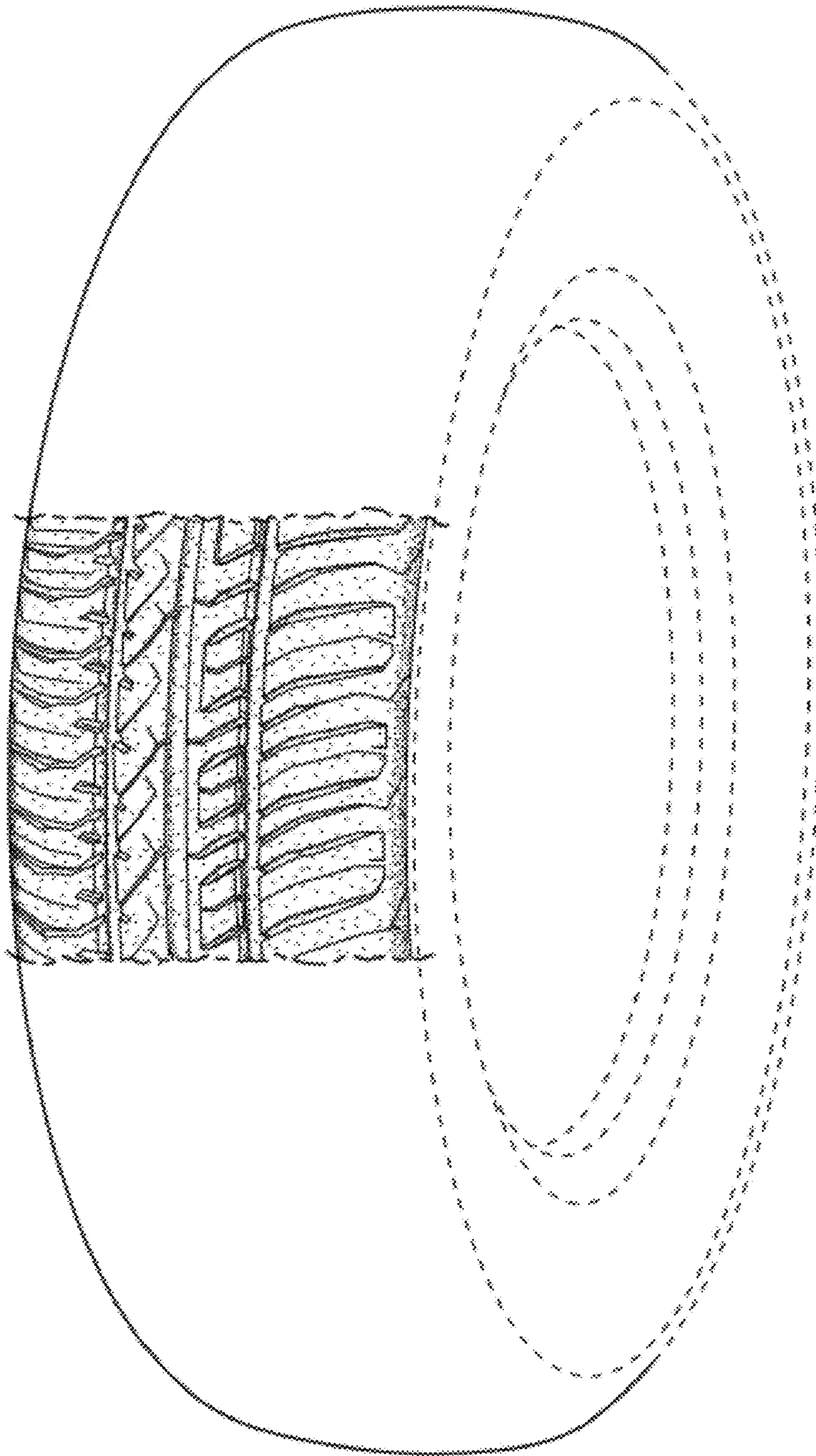


FIG. 1

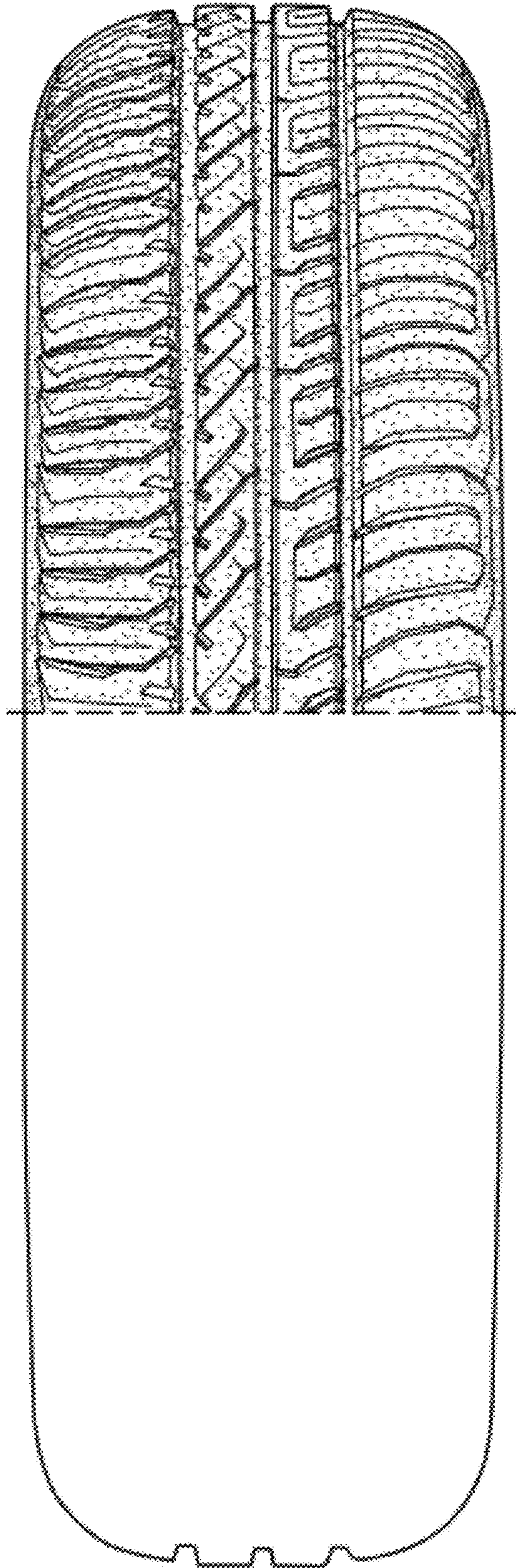


FIG. 2

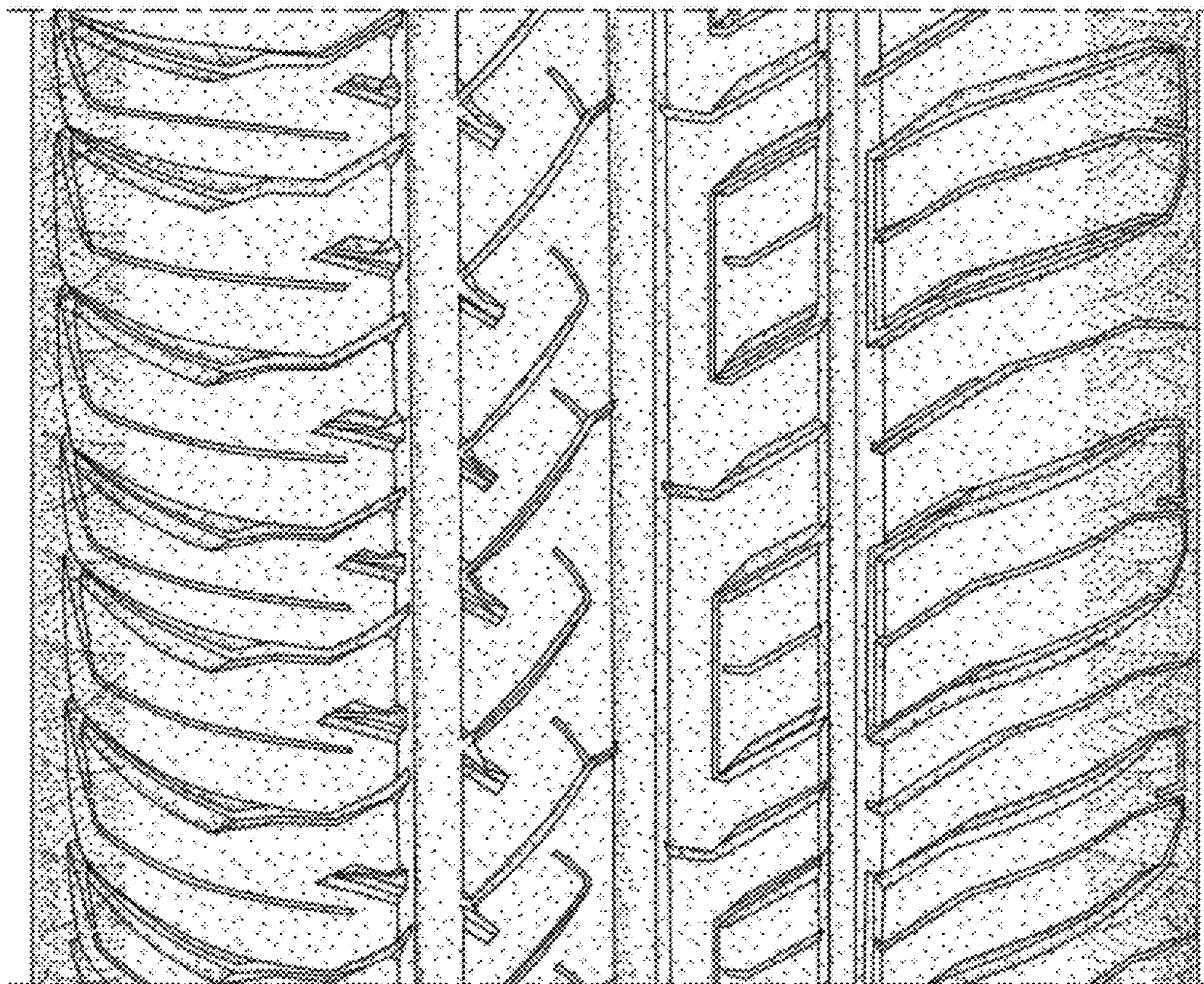


FIG. 3

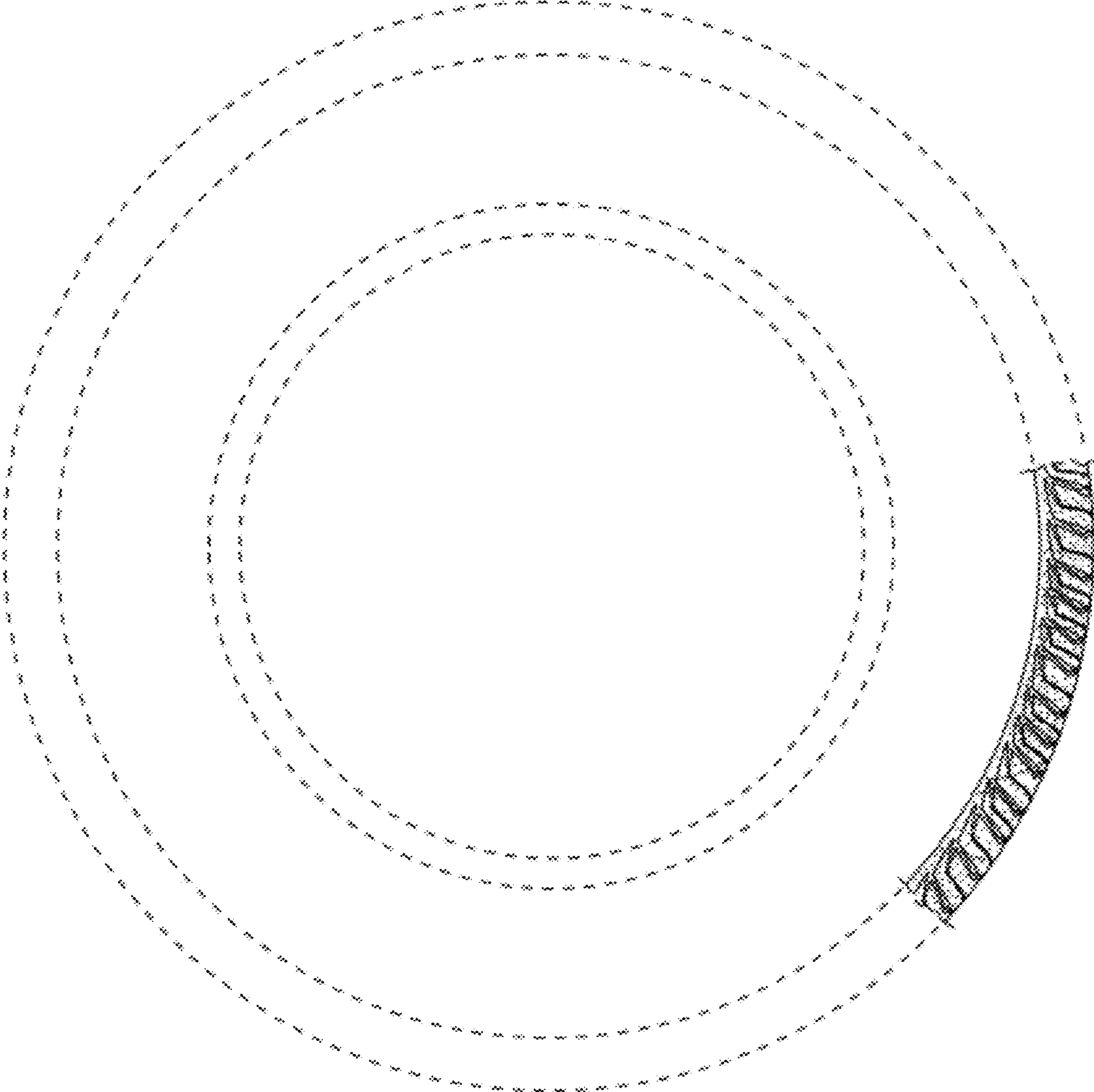


FIG. 4

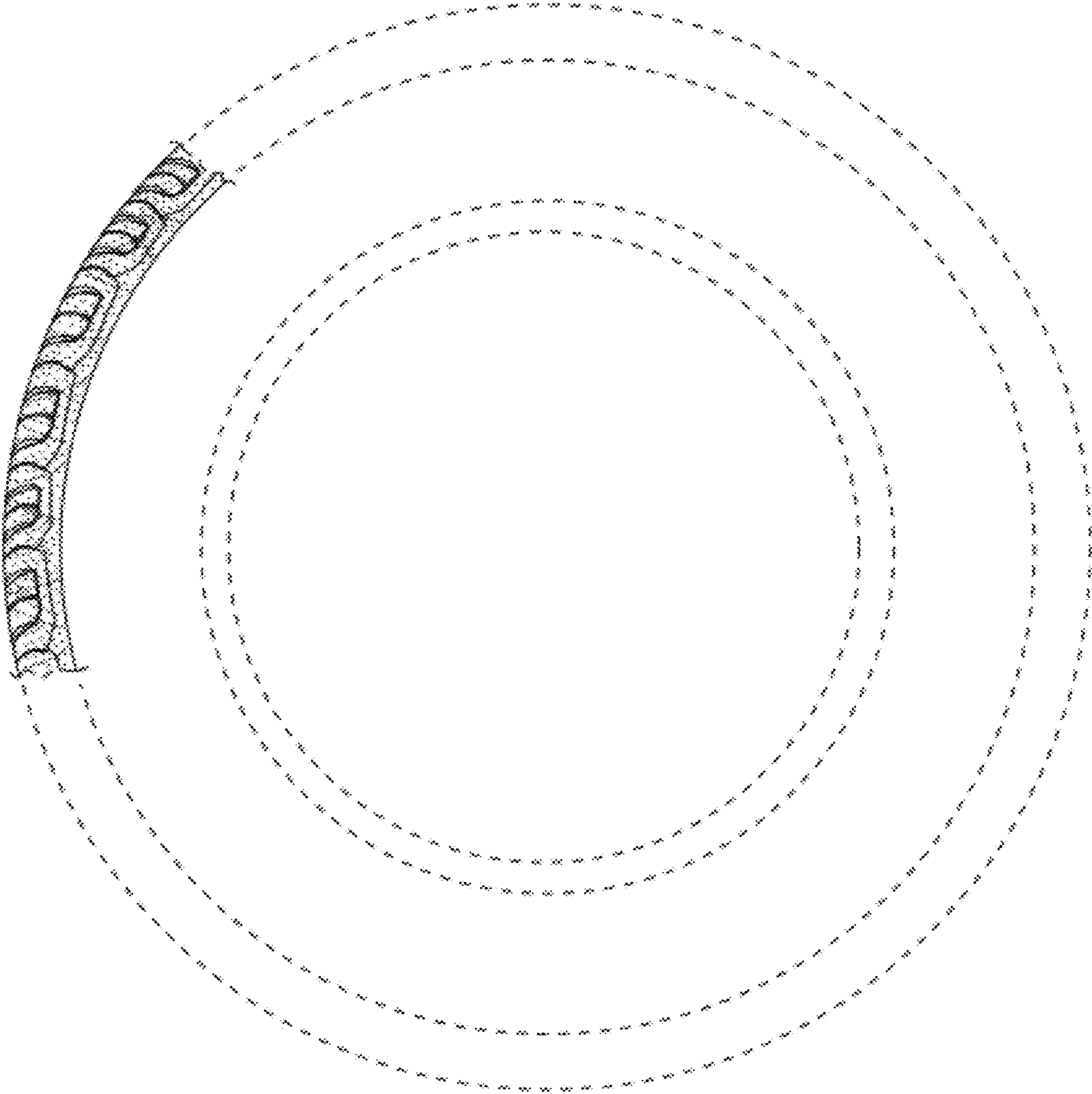


FIG. 5