

US00D667774S

(12) **United States Design Patent**
Noel et al.

(10) **Patent No.:** **US D667,774 S**

(45) **Date of Patent:** **** Sep. 25, 2012**

(54) **VEHICLE TRUNK EXTENDED CARRIER**

(76) Inventors: **Jean Noel**, Spring Hill, FL (US); **Marc Noel**, Spring Hill, FL (US); **Robby Noel**, Spring Hill, FL (US)

(**) Term: **14 Years**

(21) Appl. No.: **29/391,603**

(22) Filed: **May 11, 2011**

(51) **LOC (9) Cl.** **12-16**

(52) **U.S. Cl.** **D12/412**

(58) **Field of Classification Search** D12/412,
D12/406, 414, 414.1; 293/37.1, 3, 100;
224/309-310, 315-316, 323-329, 400; D3/304-306;
280/760-762, 848, 727, 769; D6/552
See application file for complete search history.

(56) **References Cited**

U.S. PATENT DOCUMENTS

4,278,175	A *	7/1981	Jackson	224/561
5,054,668	A	10/1991	Ricchiuti		
5,392,972	A	2/1995	Caruso et al.		
5,518,170	A	5/1996	Rasmussen		
6,149,040	A	11/2000	Walker		
6,202,664	B1 *	3/2001	Shenton et al.	135/88.03

D444,446	S *	7/2001	Carter	D12/406
6,394,118	B1 *	5/2002	Cikanowick et al.	135/88.06
D582,337	S *	12/2008	Derecktor	D12/406
7,568,491	B2 *	8/2009	Banfill et al.	135/88.08
D624,486	S *	9/2010	Shipp, Jr.	D12/412

* cited by examiner

Primary Examiner — Caron D Veynar

Assistant Examiner — Katrina A Betton

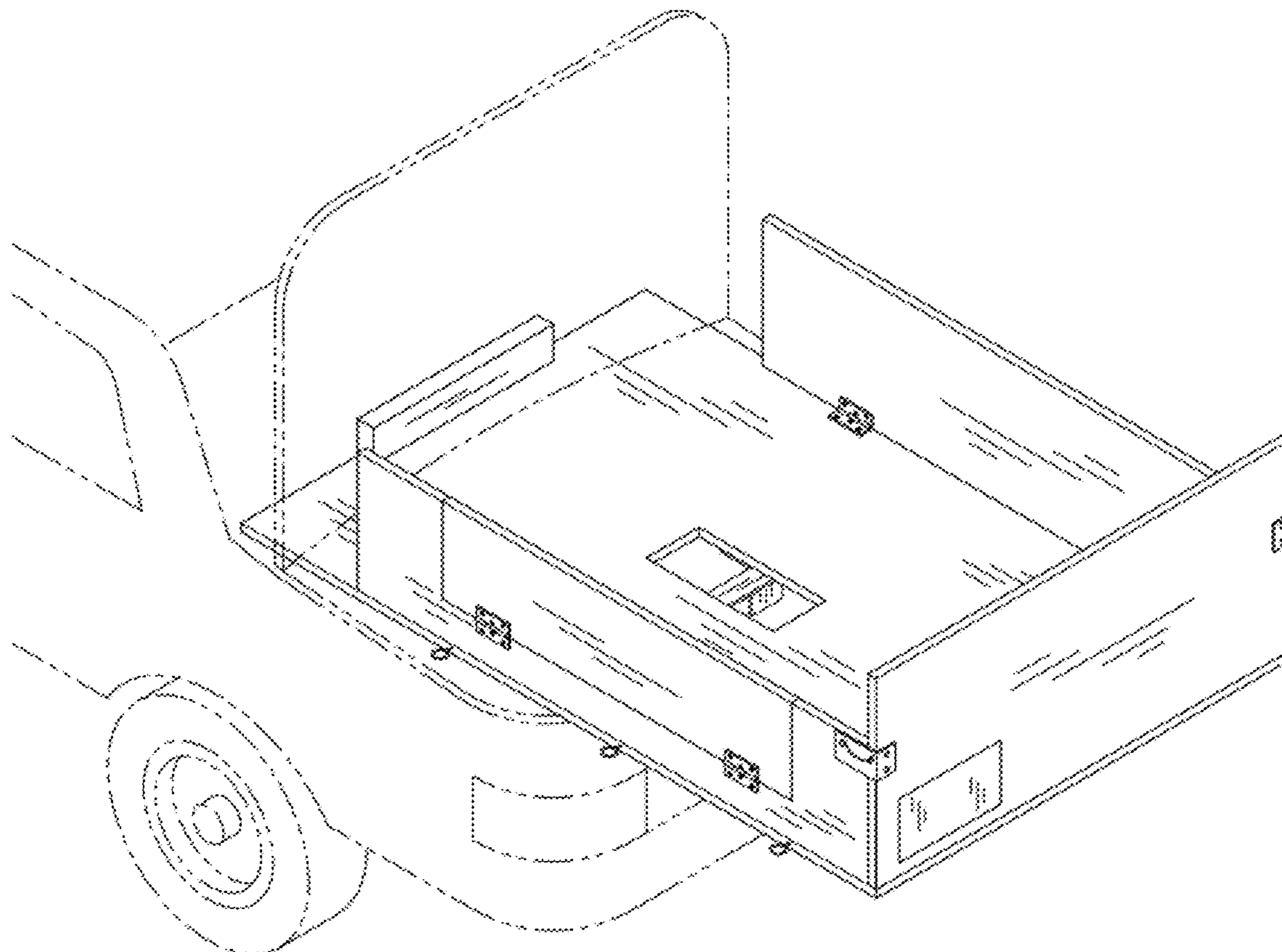
(57) **CLAIM**

The ornamental design for a vehicle trunk extended carrier, as shown and described.

DESCRIPTION

FIG. 1 is a right elevation view of a vehicle trunk extended carrier showing our new design;
 FIG. 2 is a left elevation view thereof;
 FIG. 3 is a rear elevation view thereof;
 FIG. 4 is a front elevation view thereof;
 FIG. 5 is a top plan view thereof;
 FIG. 6 is a bottom plan view thereof; and,
 FIG. 7 is an isometric view thereof.
 The broken lines in FIG. 7 depict environmental subject matter only and form no part of the claimed design.

1 Claim, 6 Drawing Sheets



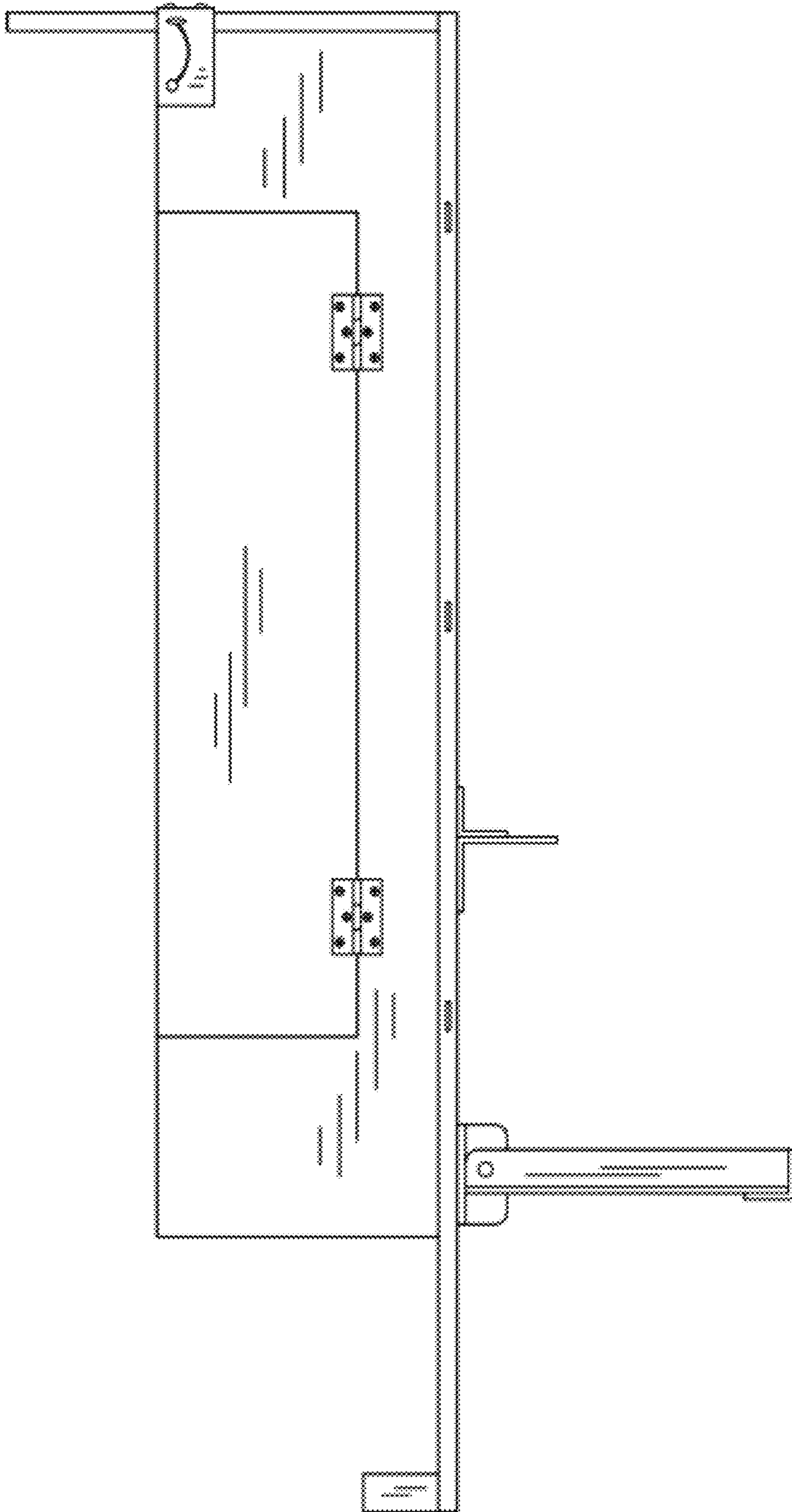


FIG. 1

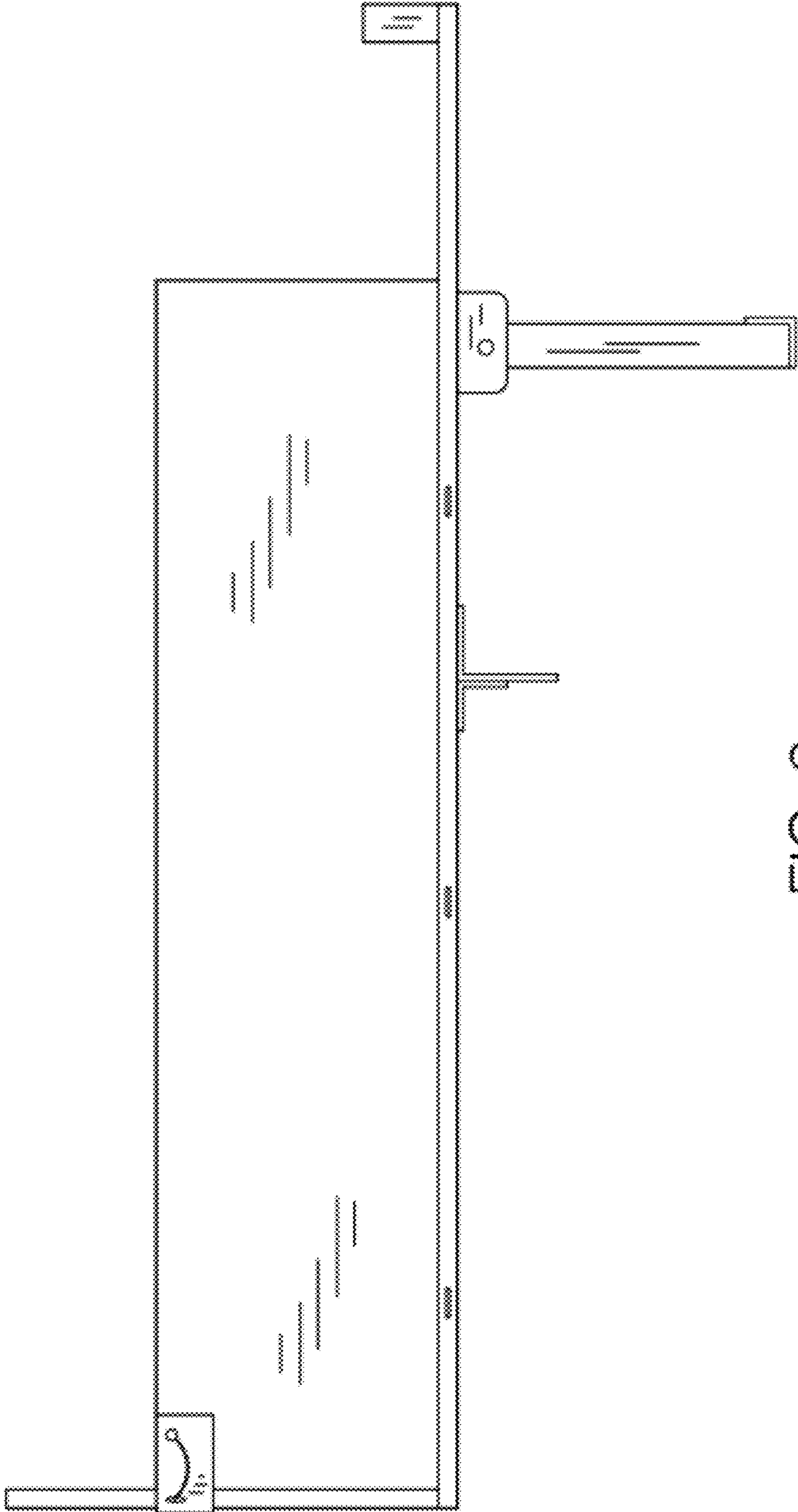
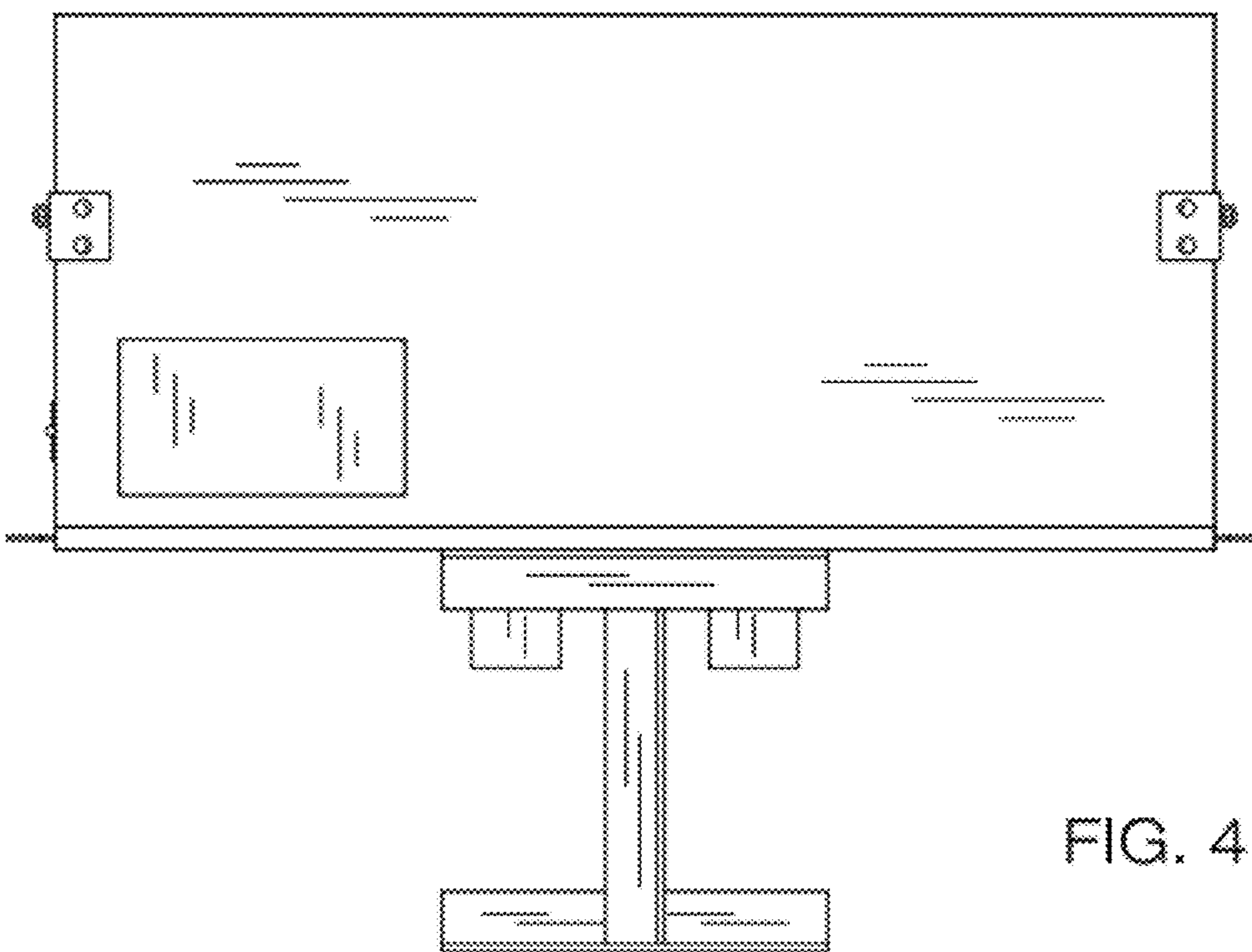
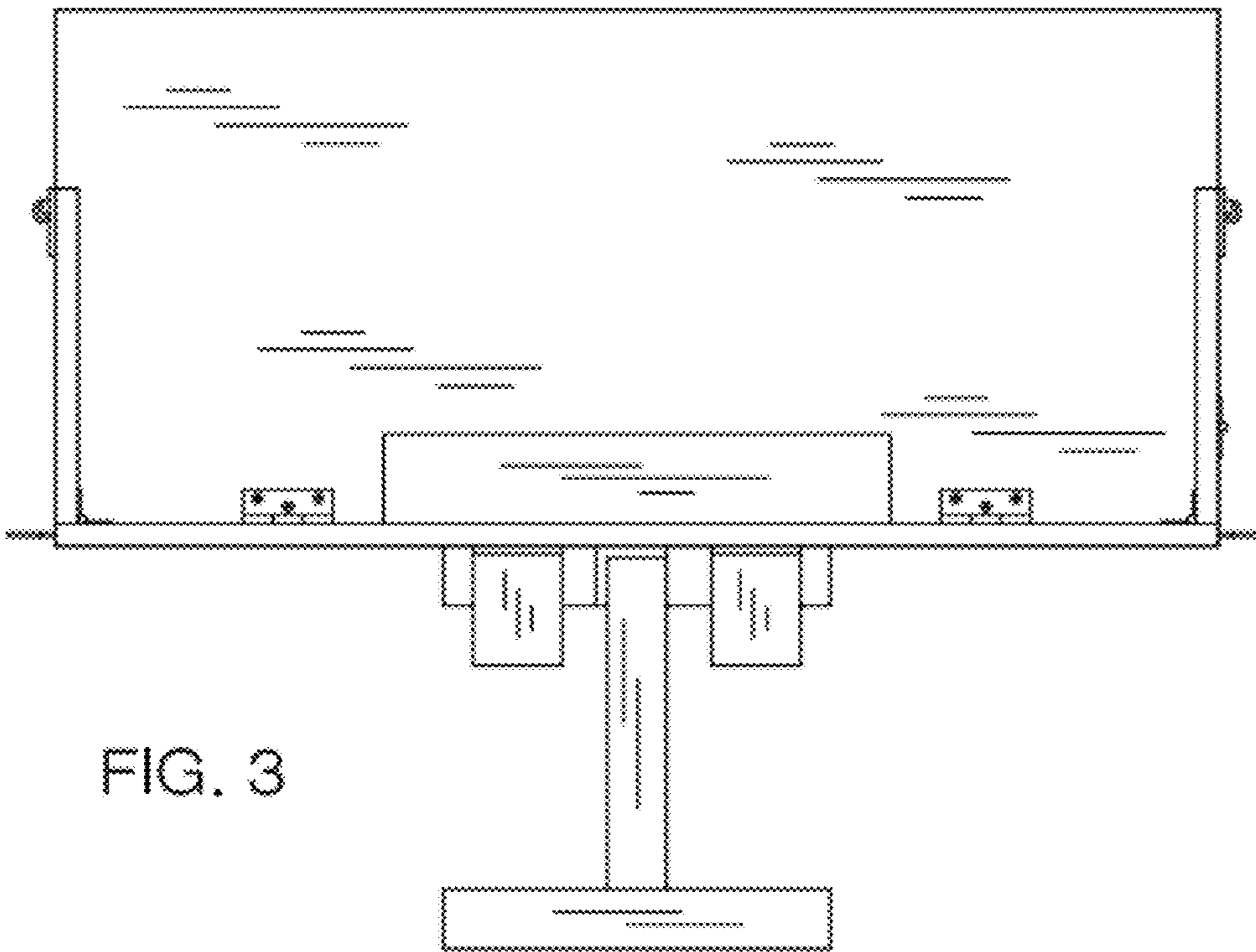


FIG. 2



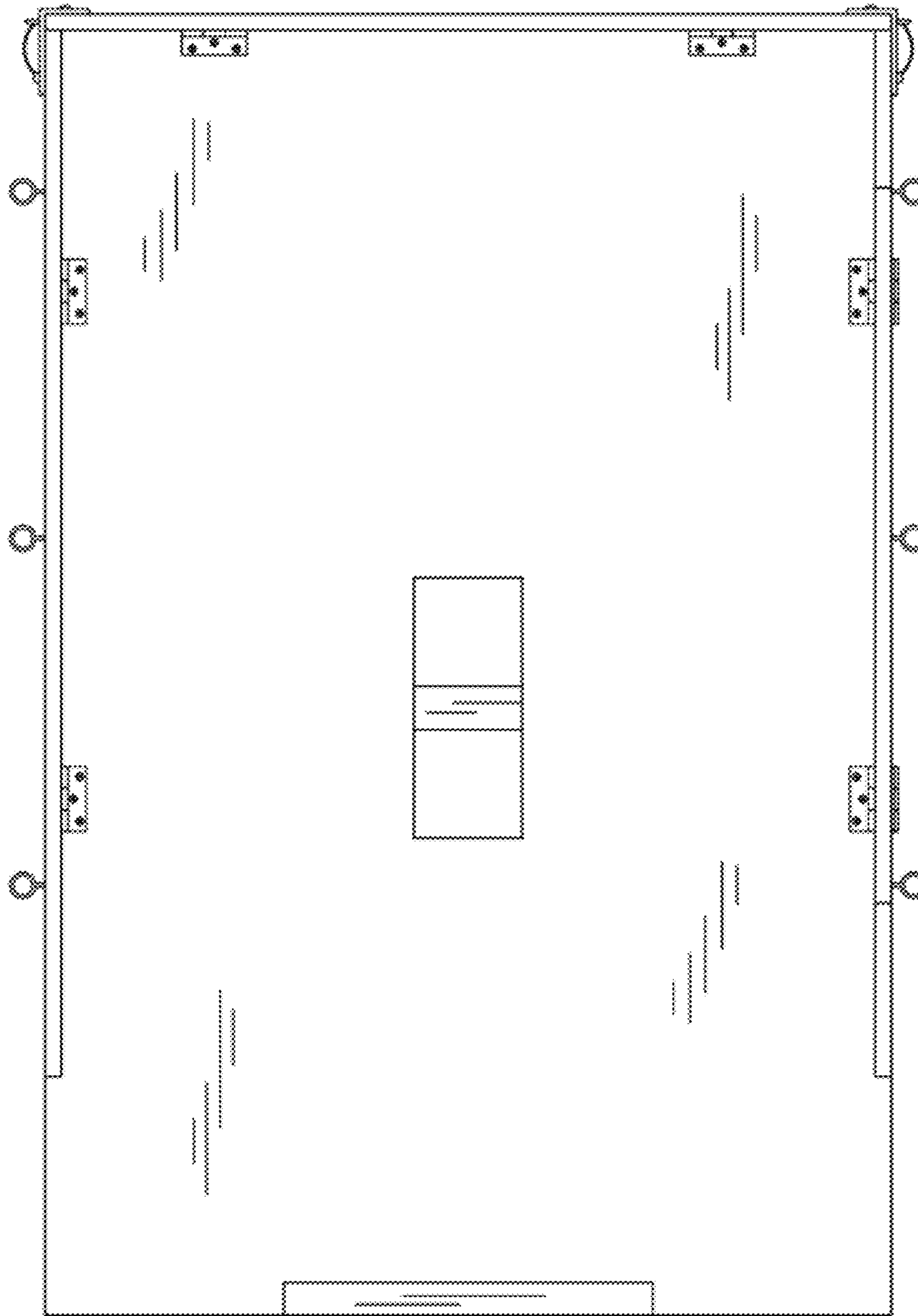


FIG. 5

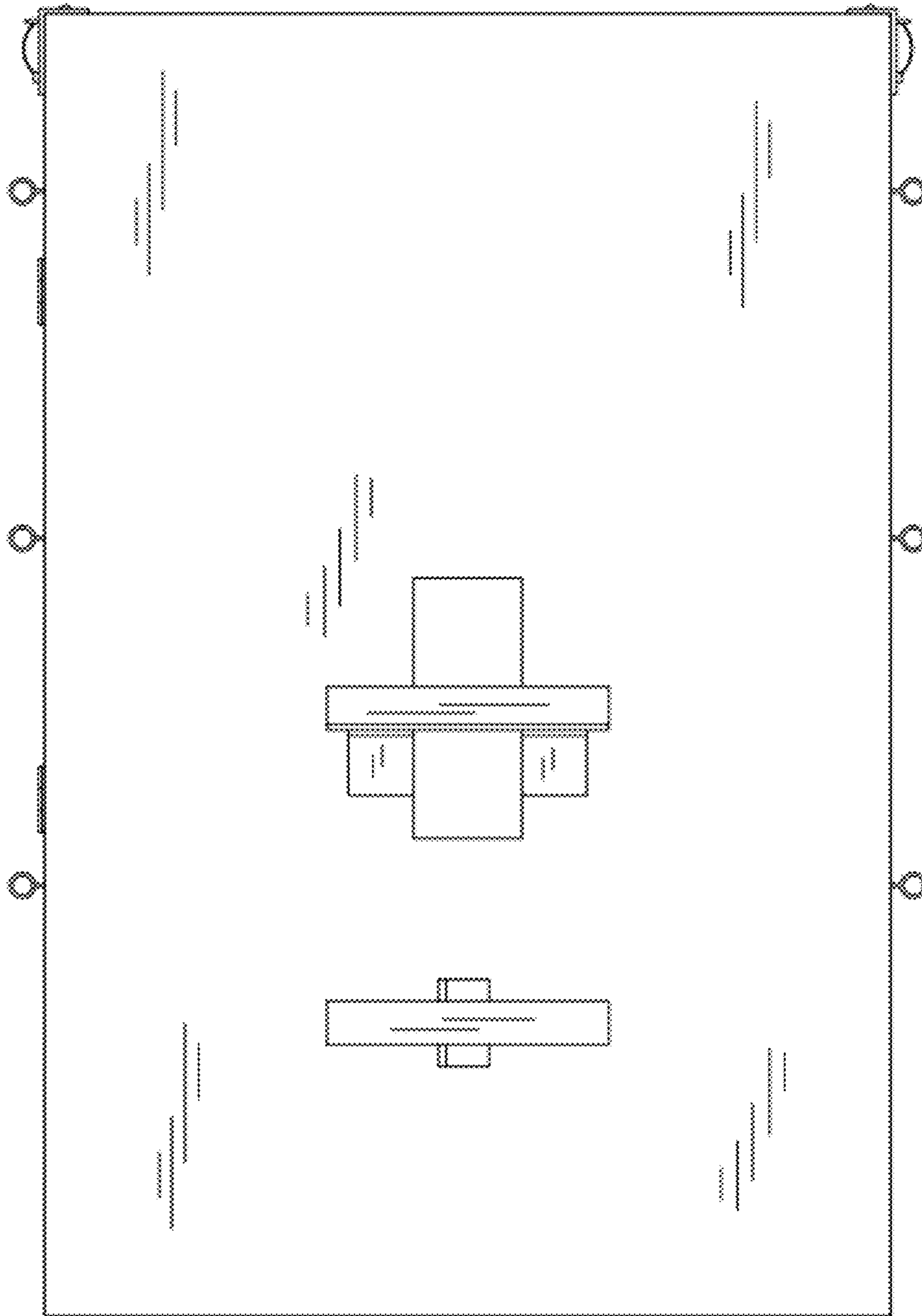


FIG. 6

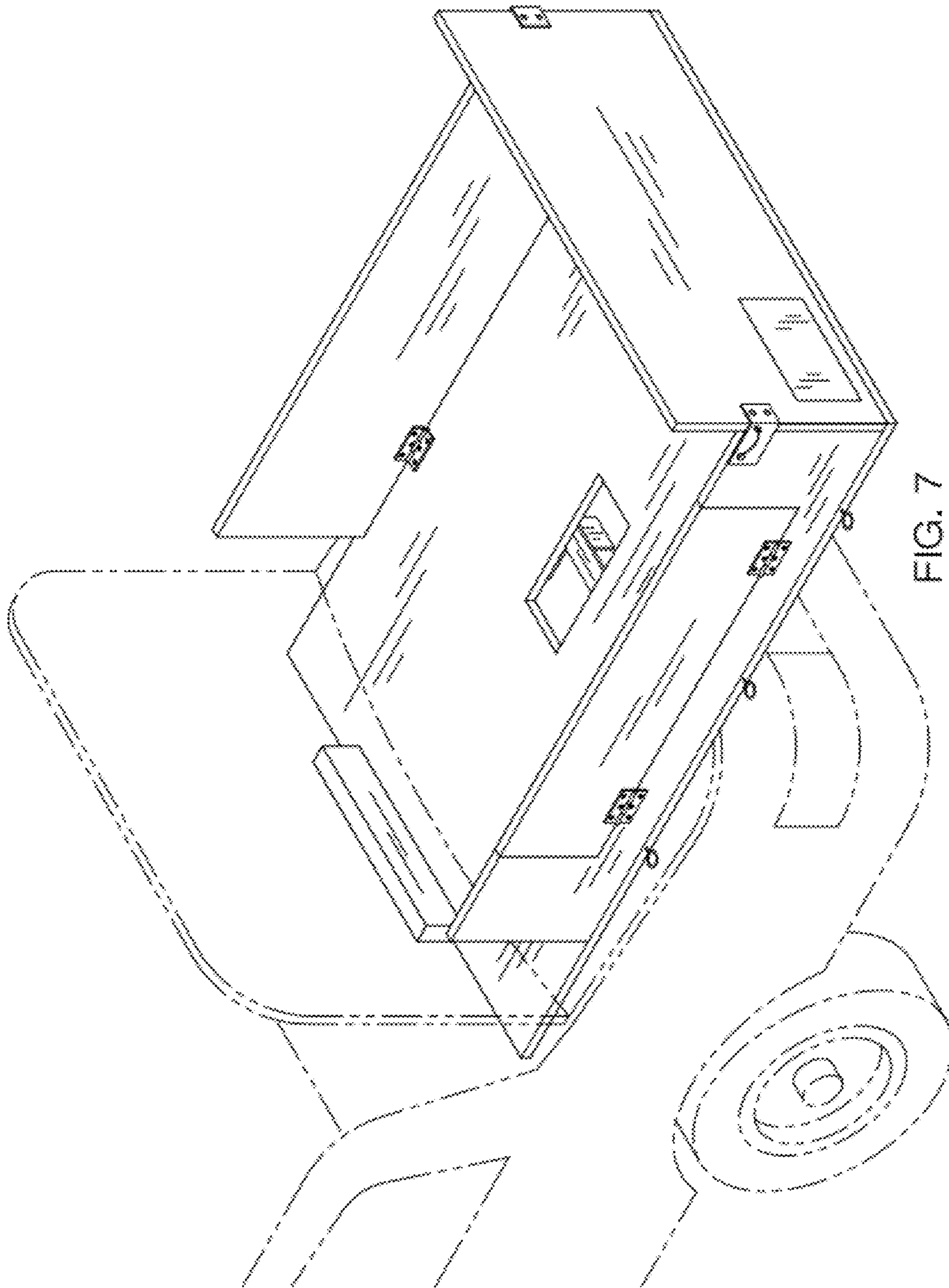


FIG. 7