

US00D667773S

(12) **United States Design Patent**
Hinrichs

(10) **Patent No.:** **US D667,773 S**

(45) **Date of Patent:** **** Sep. 25, 2012**

(54) **ROOF PANEL TRANSPARENT INSERT**

(76) Inventor: **Christopher W. Hinrichs**, Delafield, WI
(US)

(**) Term: **14 Years**

(21) Appl. No.: **29/376,922**

(22) Filed: **Oct. 14, 2010**

(51) **LOC (9) Cl.** **12-16**

(52) **U.S. Cl.** **D12/404**

(58) **Field of Classification Search** D12/401-405;
160/370.21, 370.22, 370.23; 280/770; 150/158,
150/165-167; 296/136.01, 95.1, 84.1, 77.1;
224/328; 135/88.01, 88.1, 91, 93, 95
See application file for complete search history.

(56) **References Cited**

U.S. PATENT DOCUMENTS

7,780,220 B2 * 8/2010 Aqeel 296/136.01
2008/0284201 A1 * 11/2008 Aqeel 296/136.01
2009/0256393 A1 * 10/2009 Kim 296/190.03

2010/0116387 A1 * 5/2010 Channey et al. 150/165
* cited by examiner

Primary Examiner — Katrina A Betton

(74) *Attorney, Agent, or Firm* — Donald J. Ersler

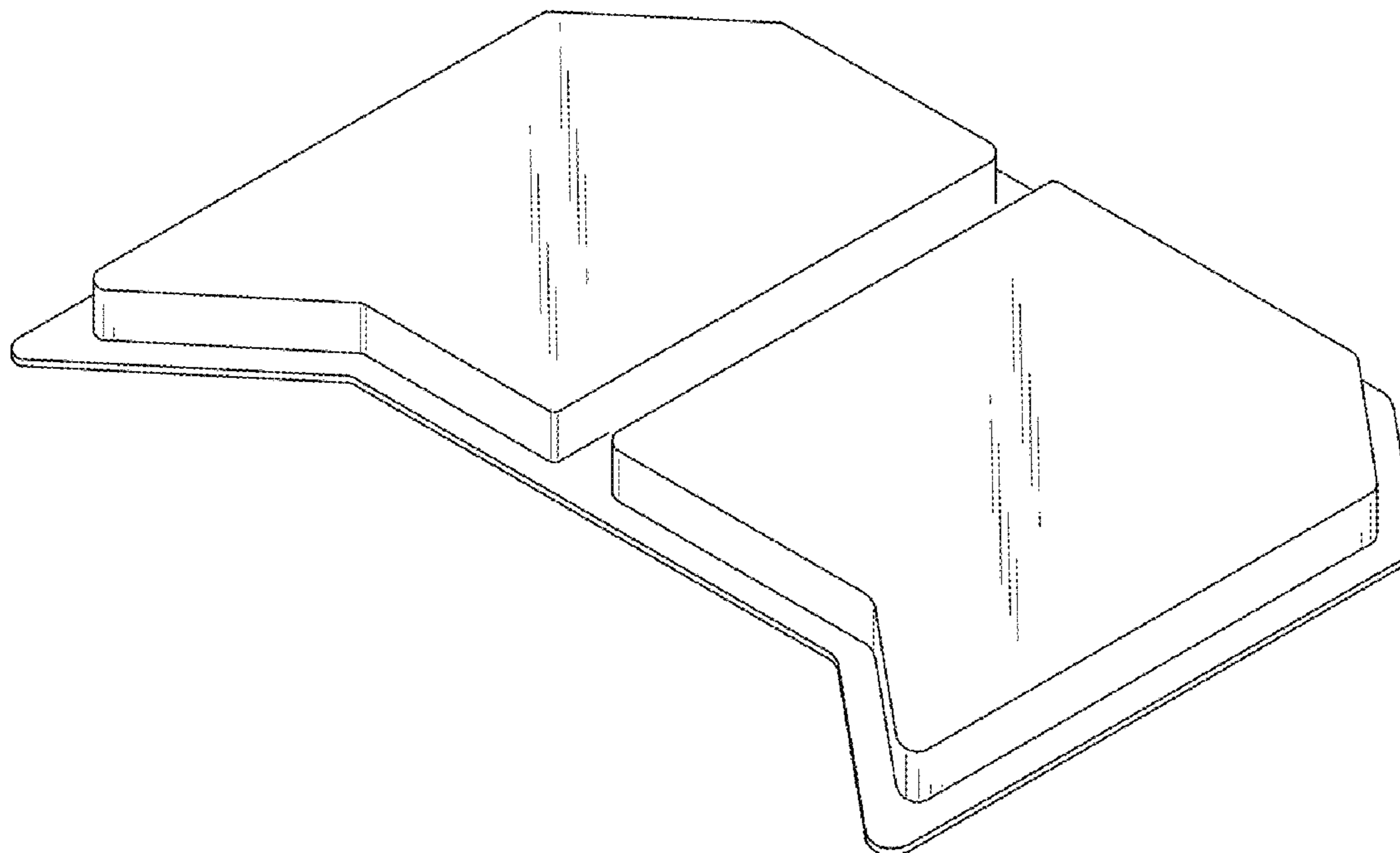
(57) **CLAIM**

The ornamental design for a roof panel transparent insert, as shown and described.

DESCRIPTION

FIG. 1 is a top perspective view of a roof panel transparent insert inserted into a roof incorporating my new design;
FIG. 2 is a bottom perspective view thereof inserted into a roof;
FIG. 3 is a perspective view thereof;
FIG. 4 is a top plan view thereof;
FIG. 5 is a right end view thereof;
FIG. 6 is a left end view thereof;
FIG. 7 is a front elevation view thereof;
FIG. 8 is a rear elevation view thereof; and,
FIG. 9 is a bottom plan view thereof.

1 Claim, 5 Drawing Sheets



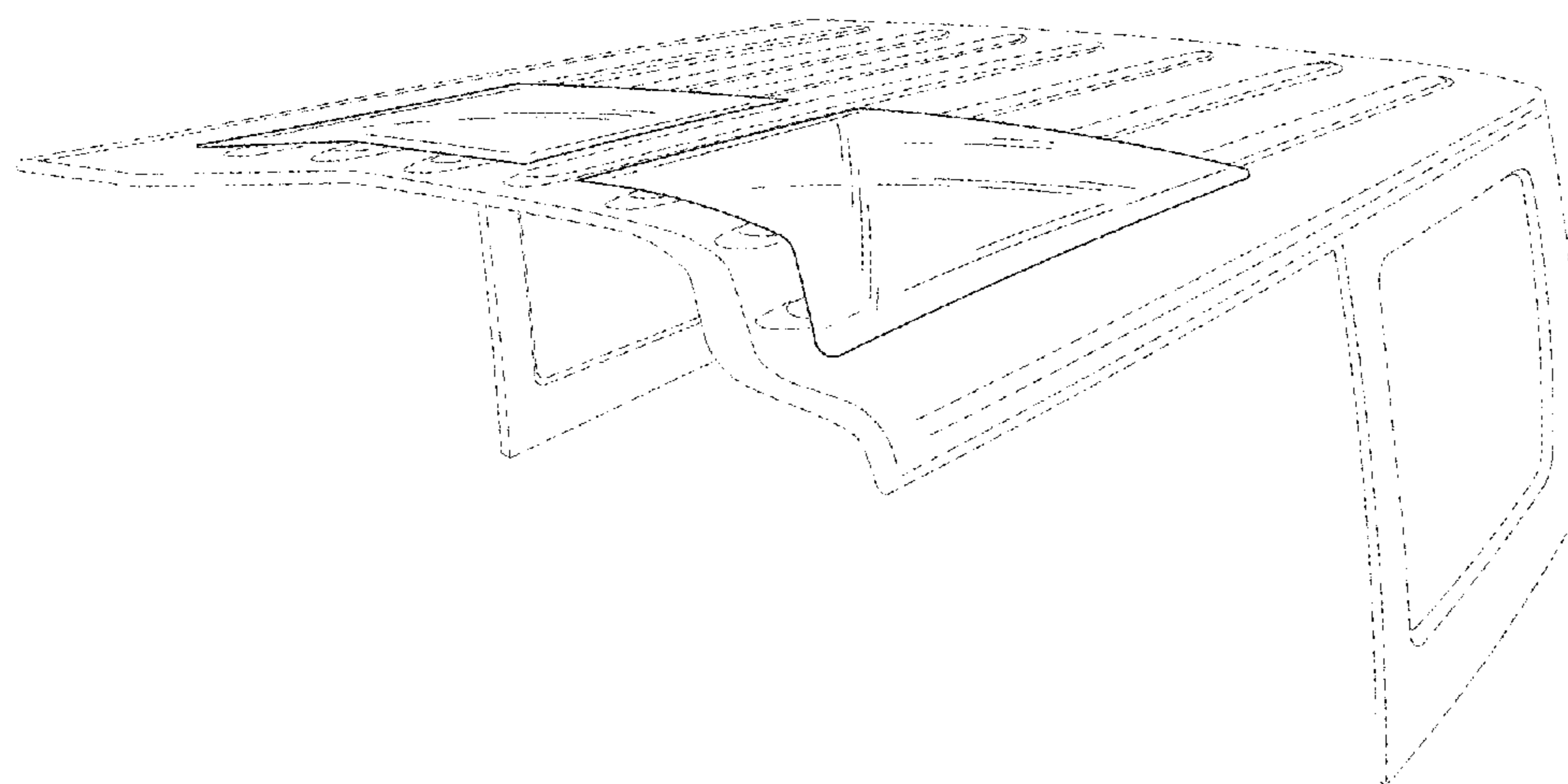


FIG. 1

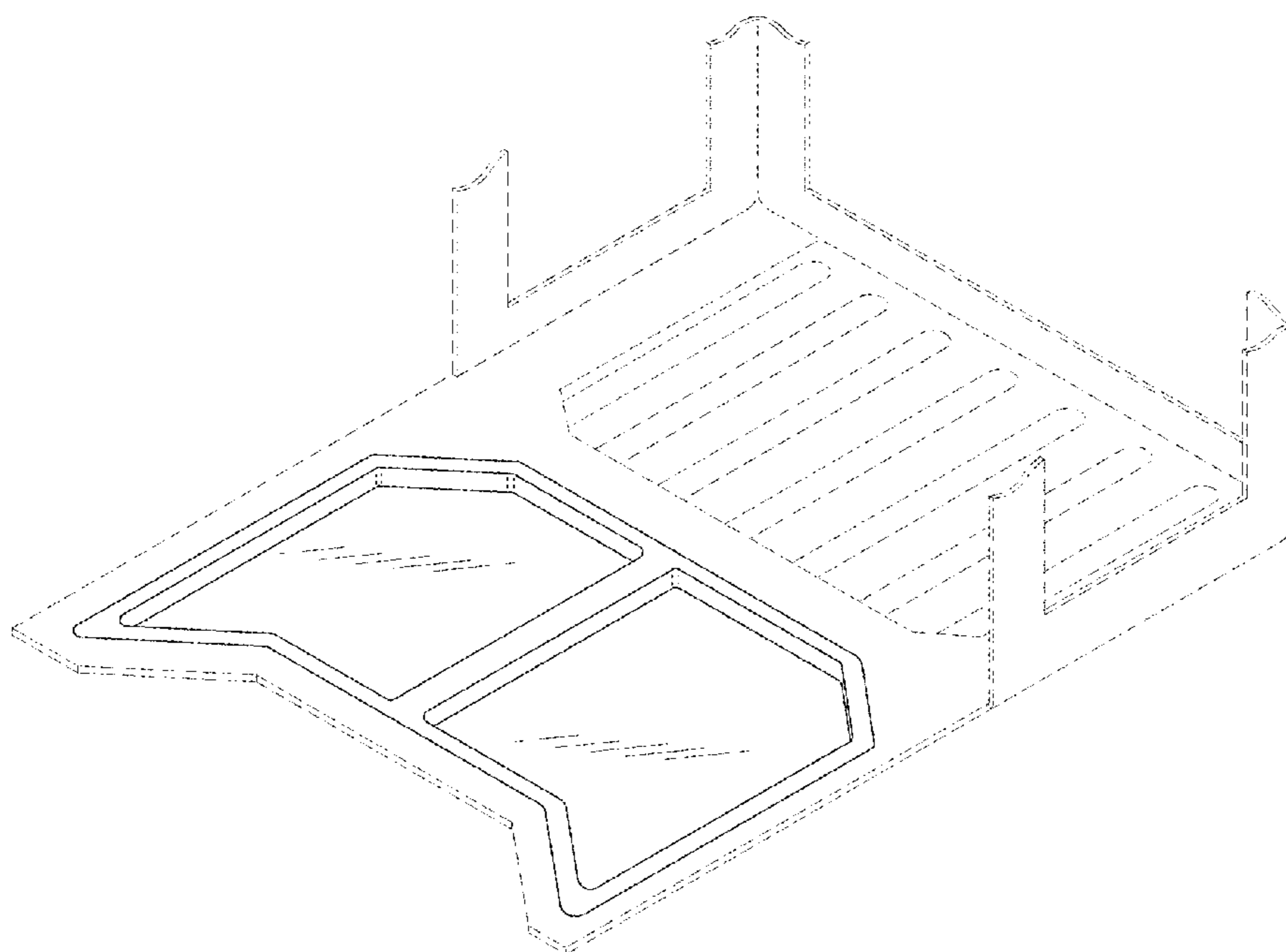


FIG. 2

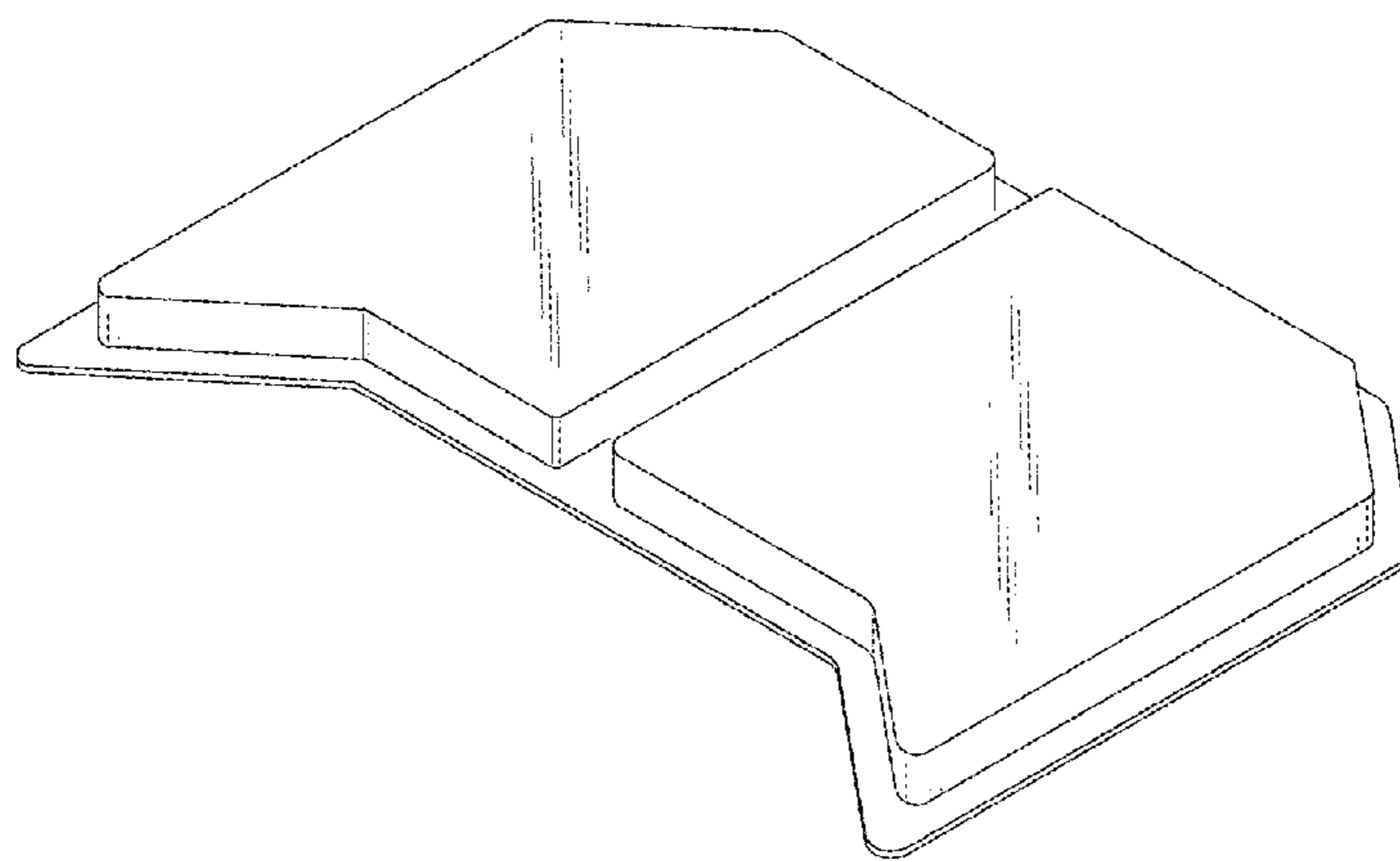


FIG. 3

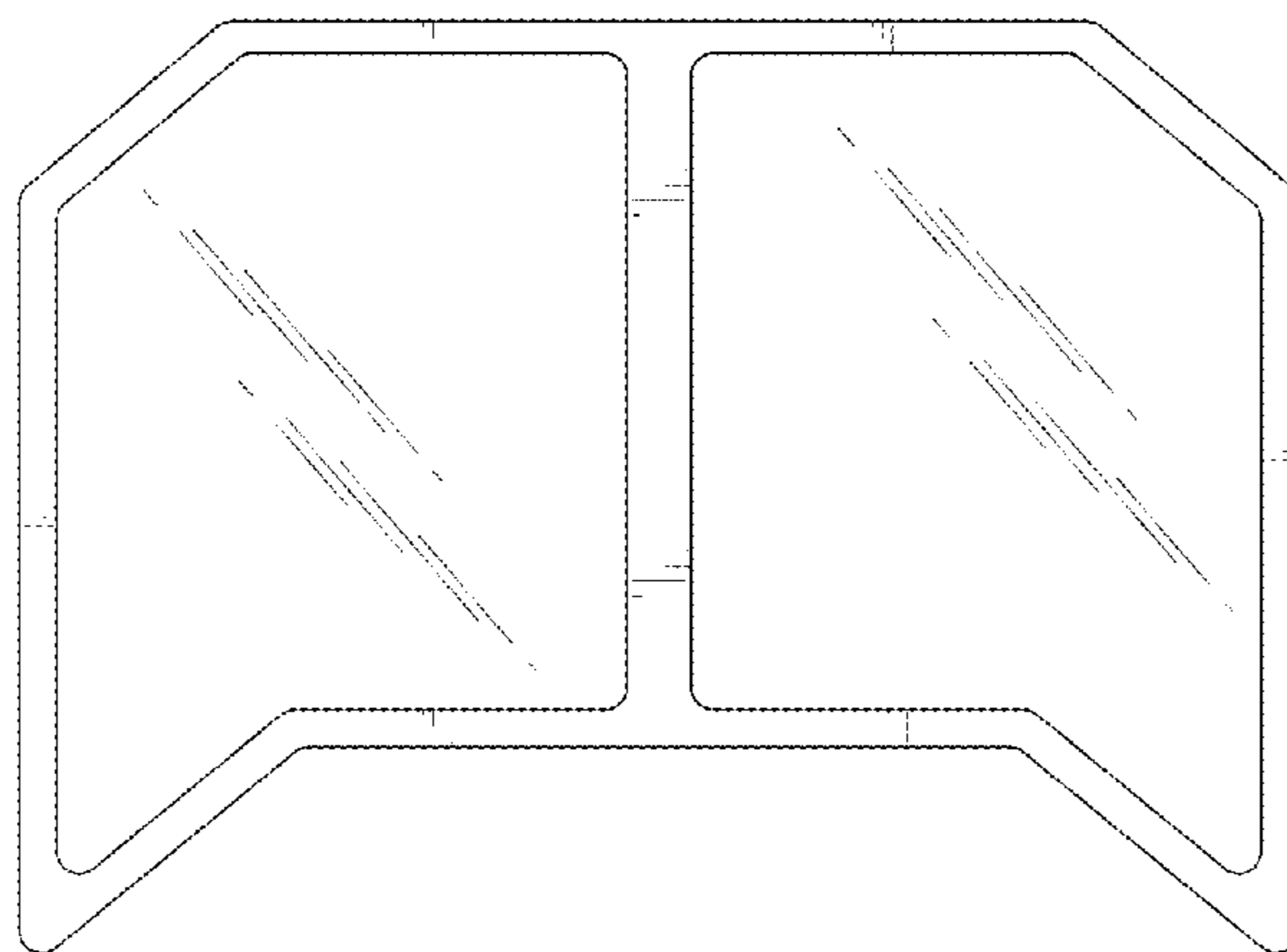


FIG. 4

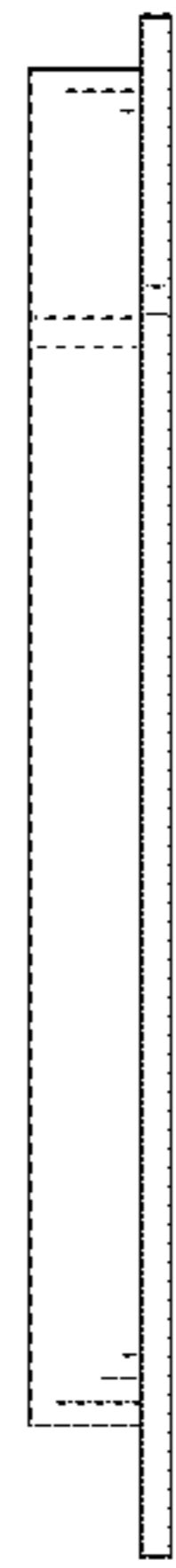


FIG. 5

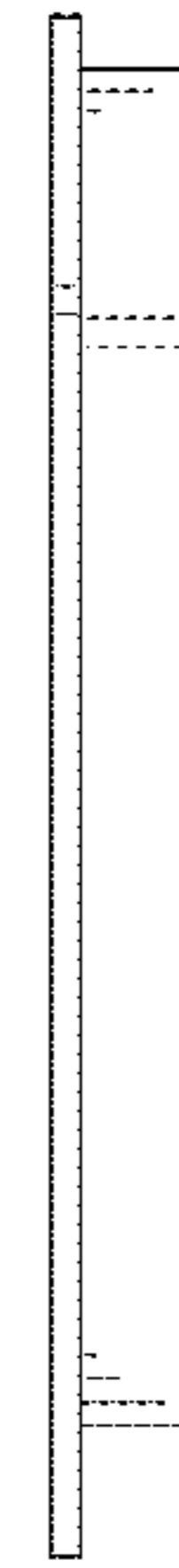


FIG. 6



FIG. 7



FIG. 8

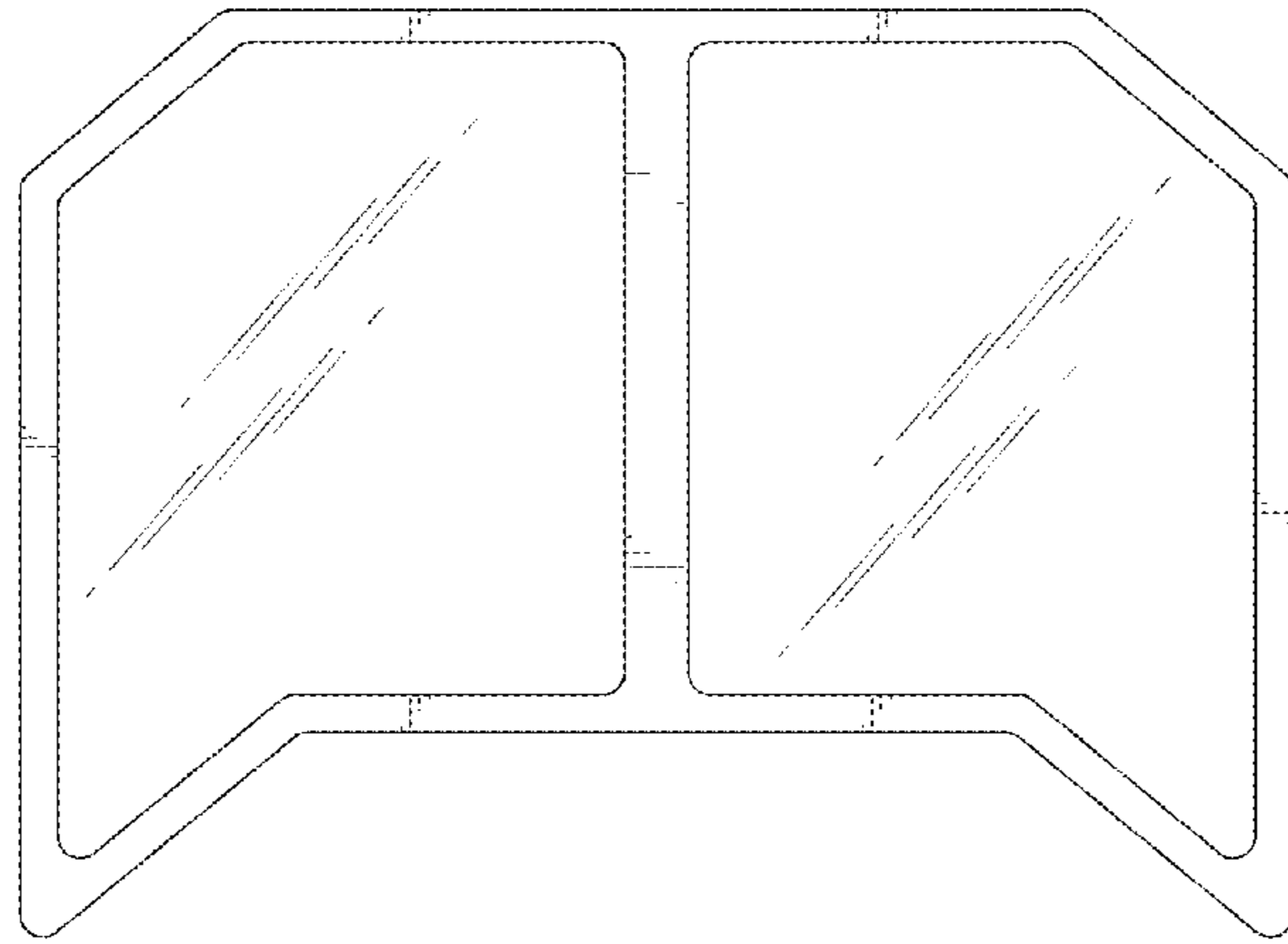


FIG. 9