

US00D667772S

(12) **United States Design Patent**  
**Hendren**

(10) **Patent No.:** **US D667,772 S**

(45) **Date of Patent:** **\*\* Sep. 25, 2012**

(54) **ROTATION MOLDED DOCK FLOAT**

(76) Inventor: **Jim Hendren**, Gravette, AR (US)

(\*\*) Term: **14 Years**

(21) Appl. No.: **29/410,448**

(22) Filed: **Jan. 9, 2012**

(51) **LOC (9) Cl.** ..... **12-06**

(52) **U.S. Cl.** ..... **D12/316**

(58) **Field of Classification Search** ..... D12/316,  
D12/317; 114/263, 264, 266, 267; 405/27,  
405/218, 219

See application file for complete search history.

4,928,617	A *	5/1990	Meriwether	.....	114/267
4,974,538	A *	12/1990	Meriwether	.....	114/267
D366,023	S *	1/1996	LeCat	.....	D12/316
6,179,525	B1 *	1/2001	Gruhn et al.	.....	405/219
D442,137	S *	5/2001	Coon	.....	D12/316
D496,624	S *	9/2004	Hartman	.....	D12/316
7,243,608	B2 *	7/2007	Knight et al.	.....	114/267

\* cited by examiner

*Primary Examiner* — Cynthia M Chin

(74) *Attorney, Agent, or Firm* — Mark Murphy Henry

(57) **CLAIM**

The ornamental design for a rotation molded dock float, as shown and described.

**DESCRIPTION**

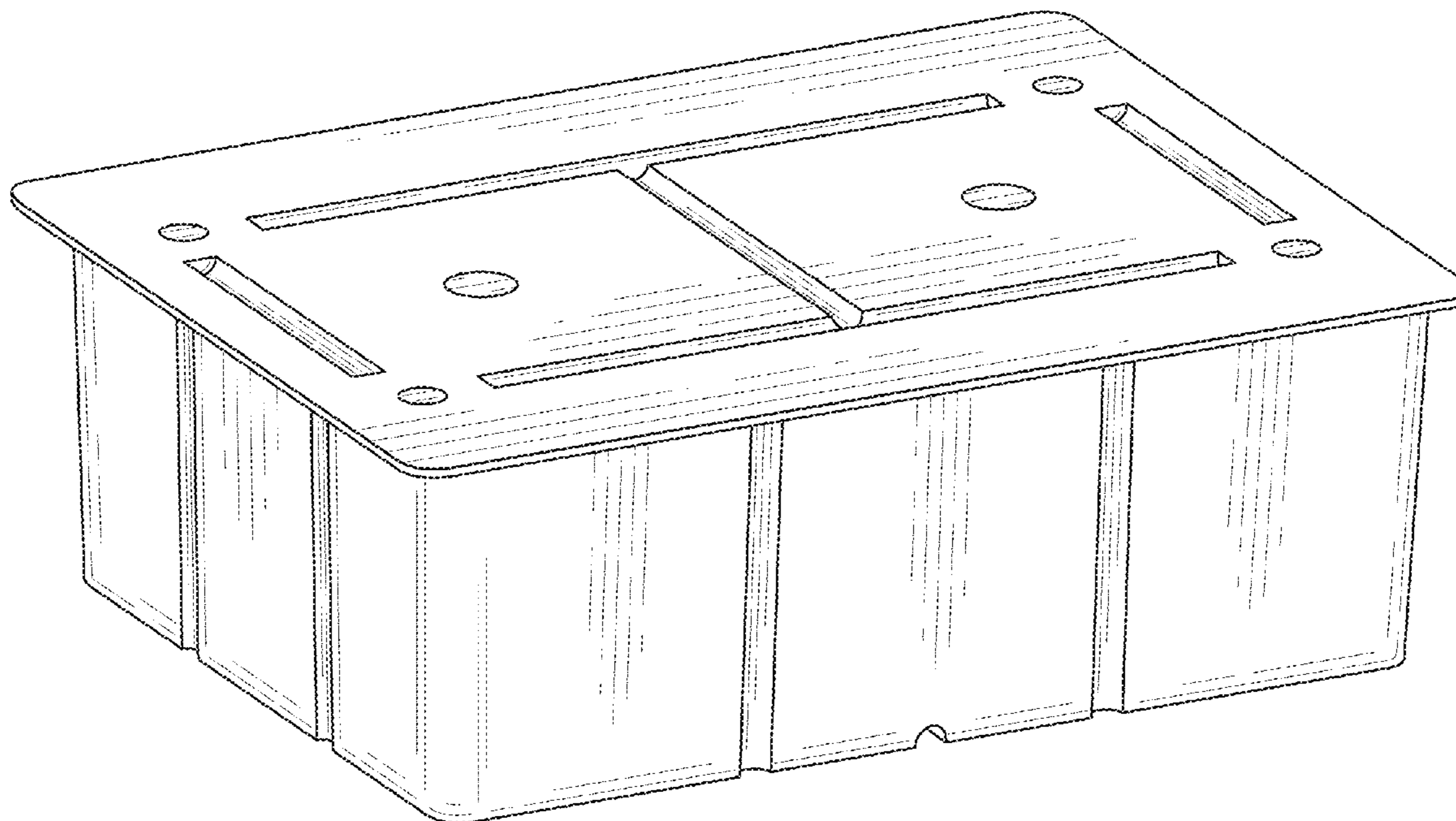
FIG. 1 is a perspective view of the rotation molded dock float. FIG. 2 is a front view of the rotation molded dock float. FIG. 3 is a side view of the rotation molded dock float. FIG. 4 is a top view of the rotation molded dock float; and, FIG. 5 is a bottom view of the rotation molded dock float.

**1 Claim, 4 Drawing Sheets**

(56) **References Cited**

**U.S. PATENT DOCUMENTS**

D196,402	S *	9/1963	Brown	.....	D12/316
D270,529	S *	9/1983	Thompson	.....	D12/316
D283,220	S *	4/1986	Collier	.....	D12/316
4,655,156	A *	4/1987	Svirklys et al.	.....	114/266
D298,428	S *	11/1988	Kendle, Jr.	.....	D12/316
4,799,445	A *	1/1989	Meriwether	.....	114/267



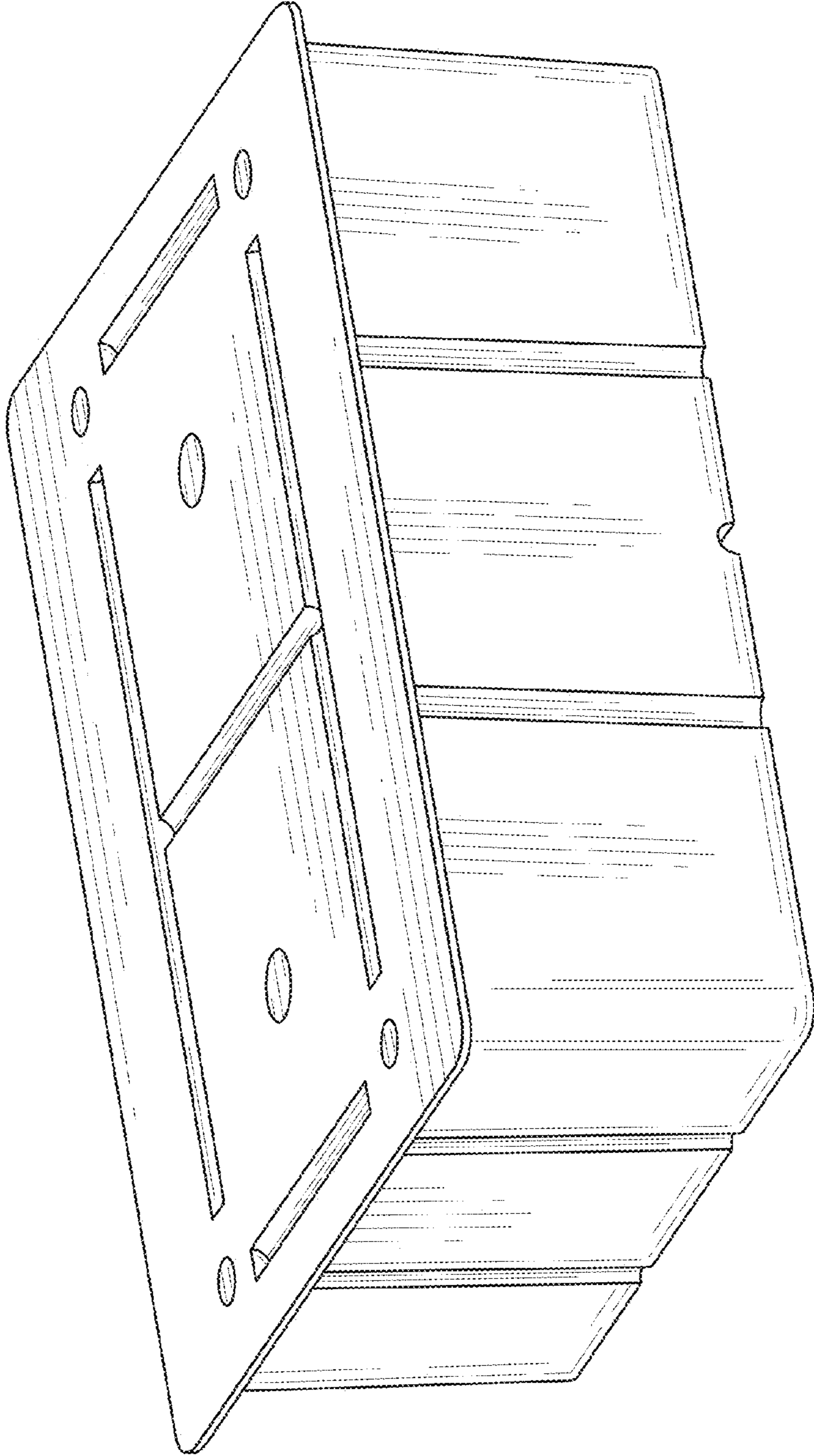


FIG. 1

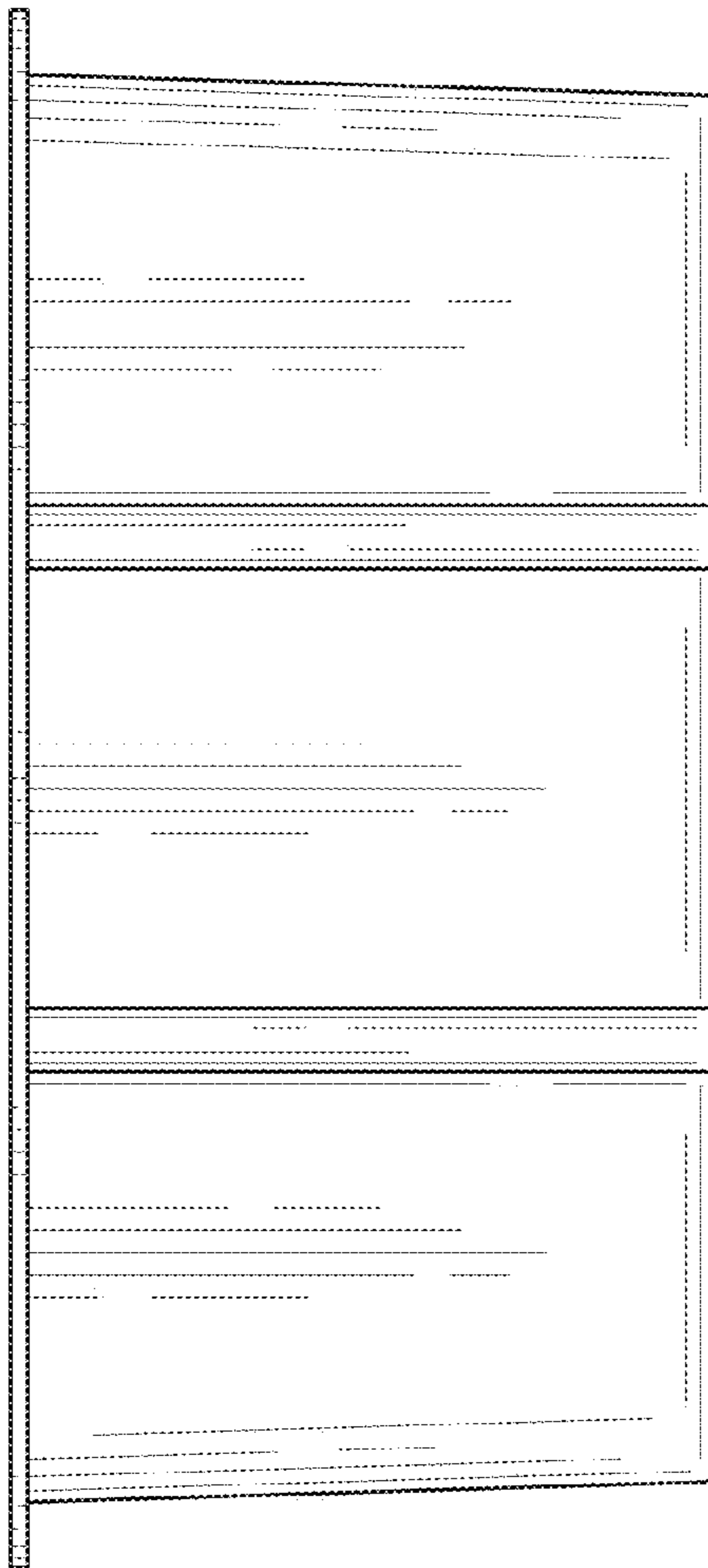


FIG. 2

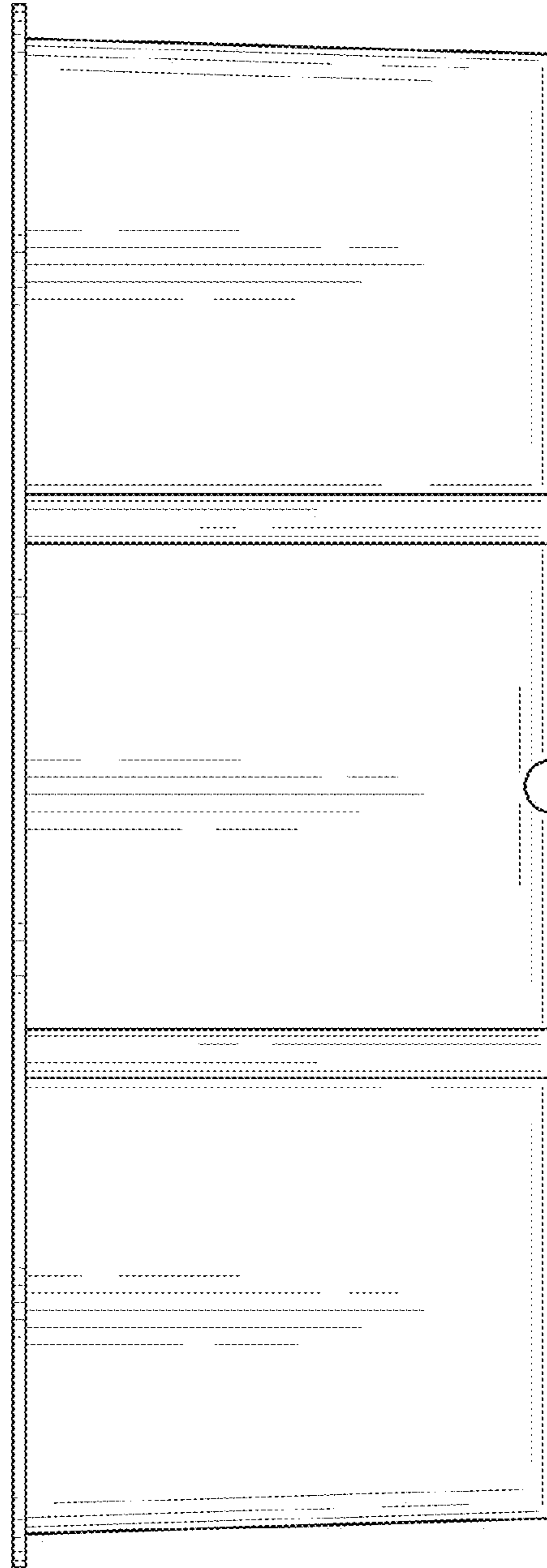


FIG. 3

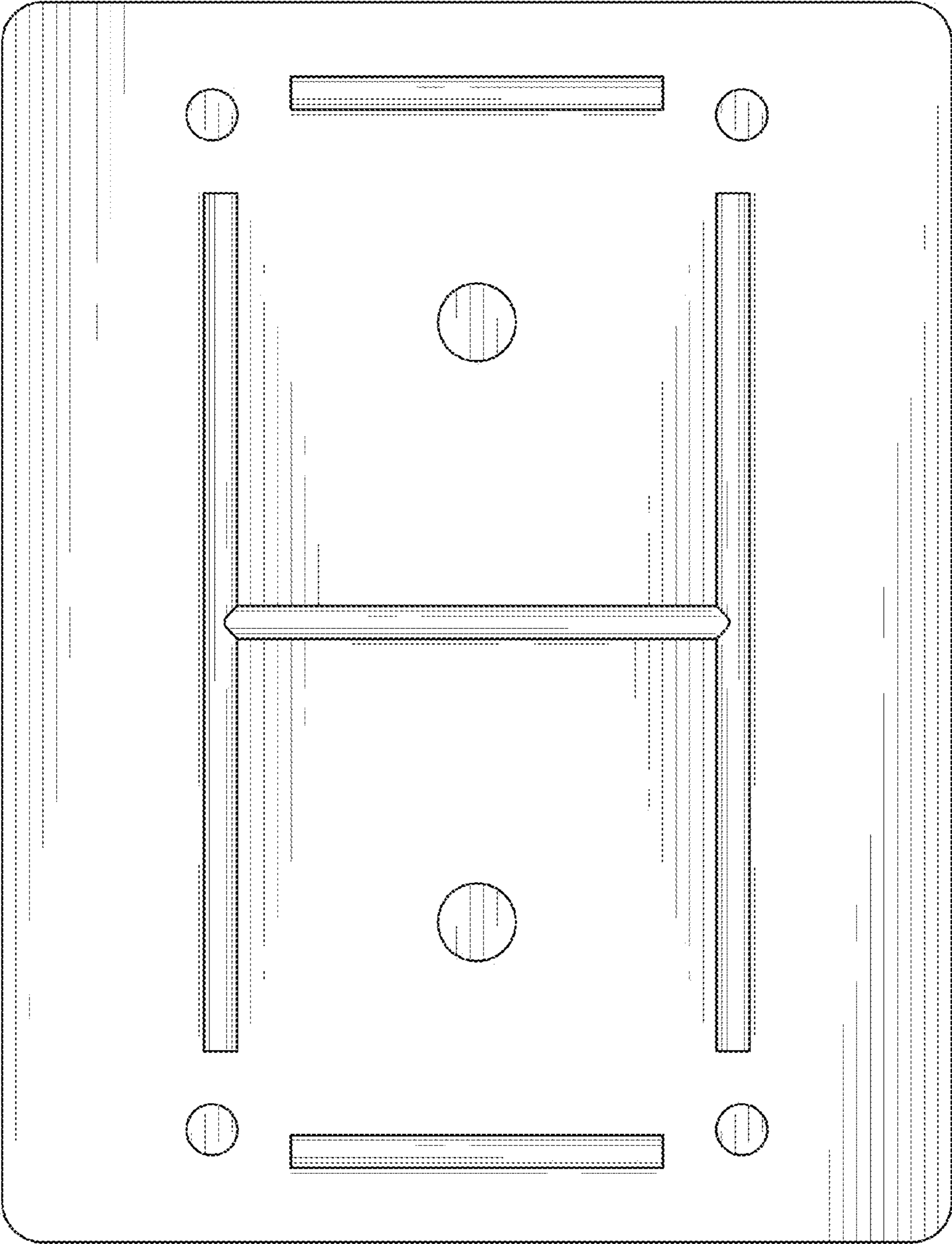


FIG. 4

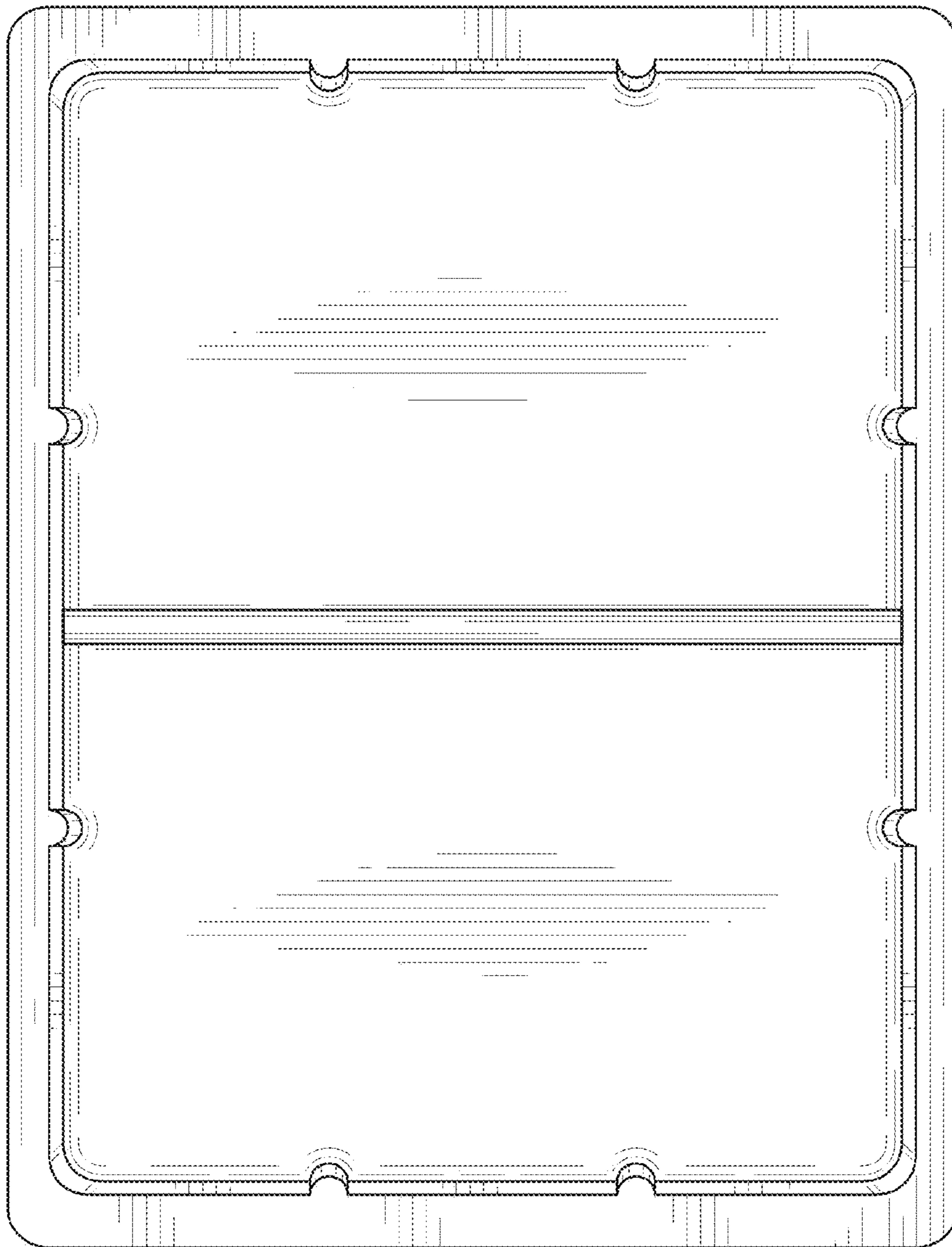


FIG. 5