

US00D667771S

(12) **United States Design Patent**
Clottu

(10) **Patent No.:** **US D667,771 S**

(45) **Date of Patent:** **** Sep. 25, 2012**

(54) **WHEEL OR WHEEL COVER**

(75) **Inventor:** **Fabien Clottu**, Munich (DE)

(73) **Assignee:** **Bayerische Motoren Werke
Aktiengesellschaft**, Munich (DE)

(**) **Term:** **14 Years**

(21) **Appl. No.:** **29/417,636**

(22) **Filed:** **Apr. 6, 2012**

(30) **Foreign Application Priority Data**

Oct. 7, 2011 (DE) 402011005029

(51) **LOC (9) Cl.** **12-16**

(52) **U.S. Cl.** **D12/211**

(58) **Field of Classification Search** D12/204-213;
301/37.101, 64.101, 65, 64.201

See application file for complete search history.

(56) **References Cited**

U.S. PATENT DOCUMENTS

D456,333 S	4/2002	Pollmann	
D495,289 S *	8/2004	Kataoka	D12/211
D513,727 S *	1/2006	Gallert	D12/211
D567,738 S	4/2008	Habib et al.	
D568,800 S	5/2008	Huet	
D576,096 S *	9/2008	Chung	D12/211
D577,650 S *	9/2008	Chung	D12/211
D593,022 S	5/2009	Forster et al.	
D643,794 S *	8/2011	Elmitt	D12/211

D654,007 S *	2/2012	Nissl	D12/211
D655,665 S *	3/2012	Zhao	D12/211
D657,298 S *	4/2012	Lee	D12/211
D659,628 S *	5/2012	Pollmann	D12/211

FOREIGN PATENT DOCUMENTS

DE	M8905980.8	4/1990
DE	M9804702.7	2/1999
DE	40010998.0	3/2001
EM	000754593-0005	9/2007
EM	000764022-0003	9/2007
EM	000976881-0001	10/2008
EM	001636978-0012	11/2010

* cited by examiner

Primary Examiner — Stacia Cadmus

(74) *Attorney, Agent, or Firm* — Crowell & Moring LLP

(57) **CLAIM**

The ornamental design for a wheel or wheel cover, as shown and described.

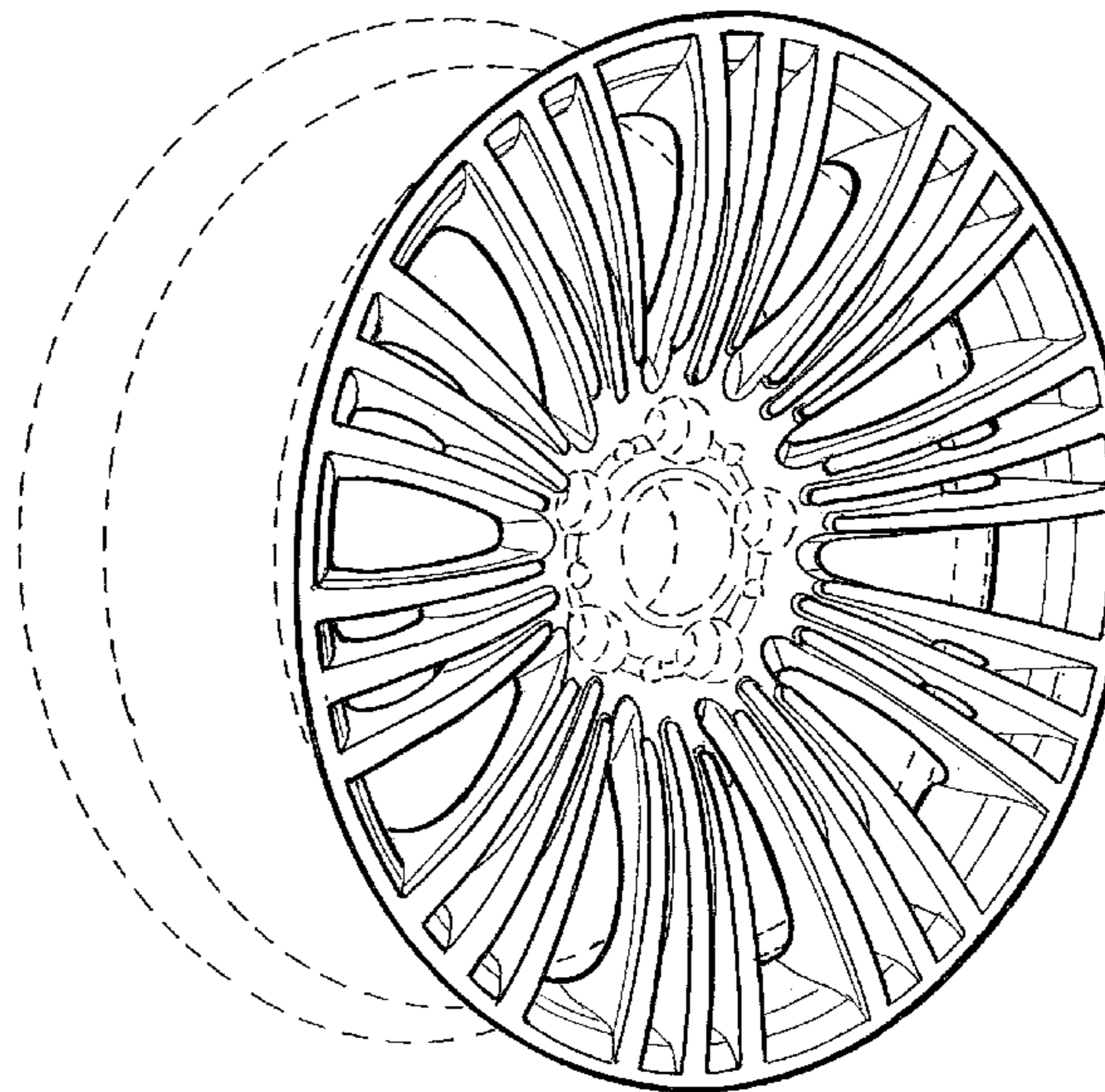
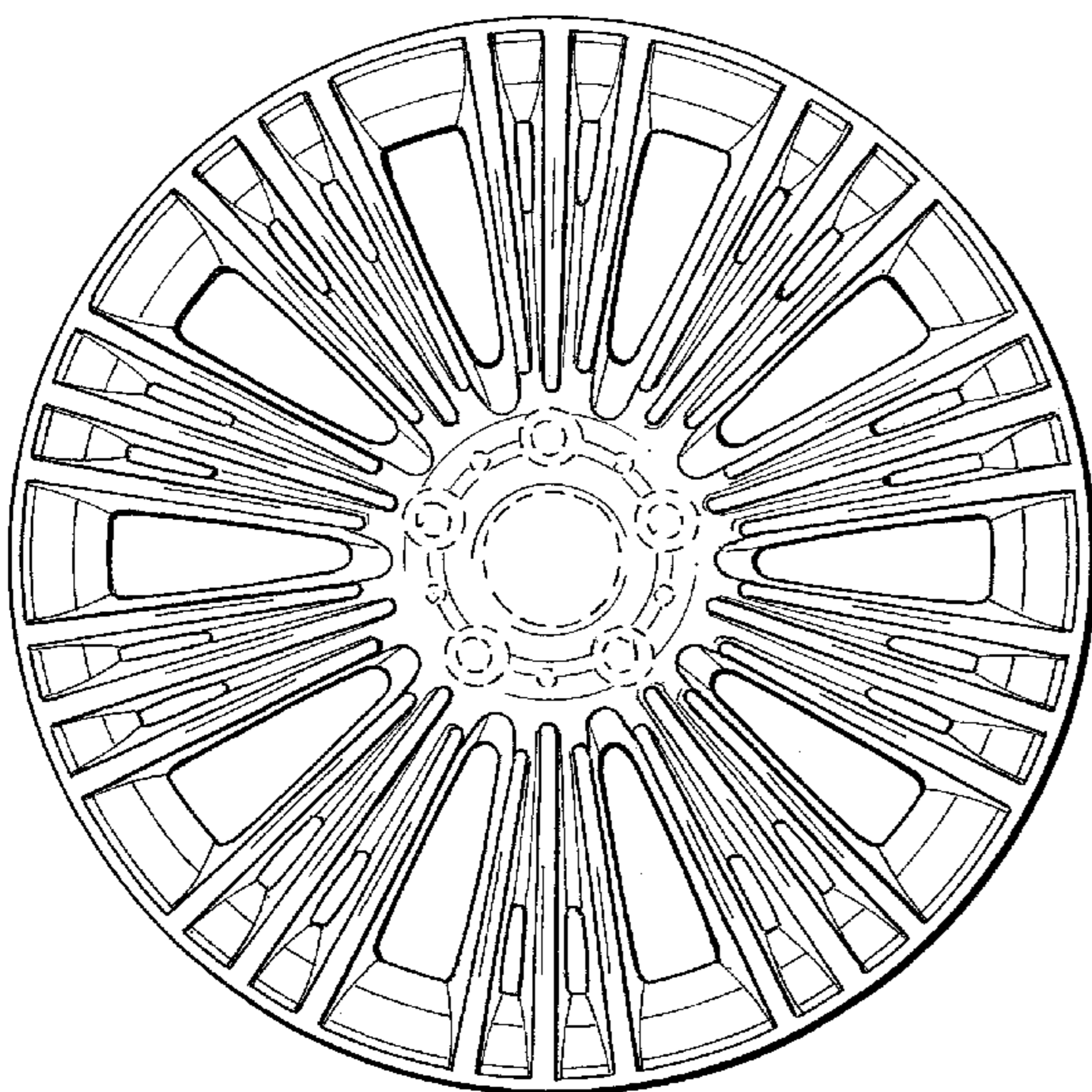
DESCRIPTION

FIG. 1 is a front view of a wheel or wheel cover according to my design; and,

FIG. 2 is a perspective view thereof.

The broken line showing of the rear of the wheel and the bolt holes and center opening in the central hub area is included for the purpose of illustrating environment and forms no part of the claimed design.

1 Claim, 1 Drawing Sheet



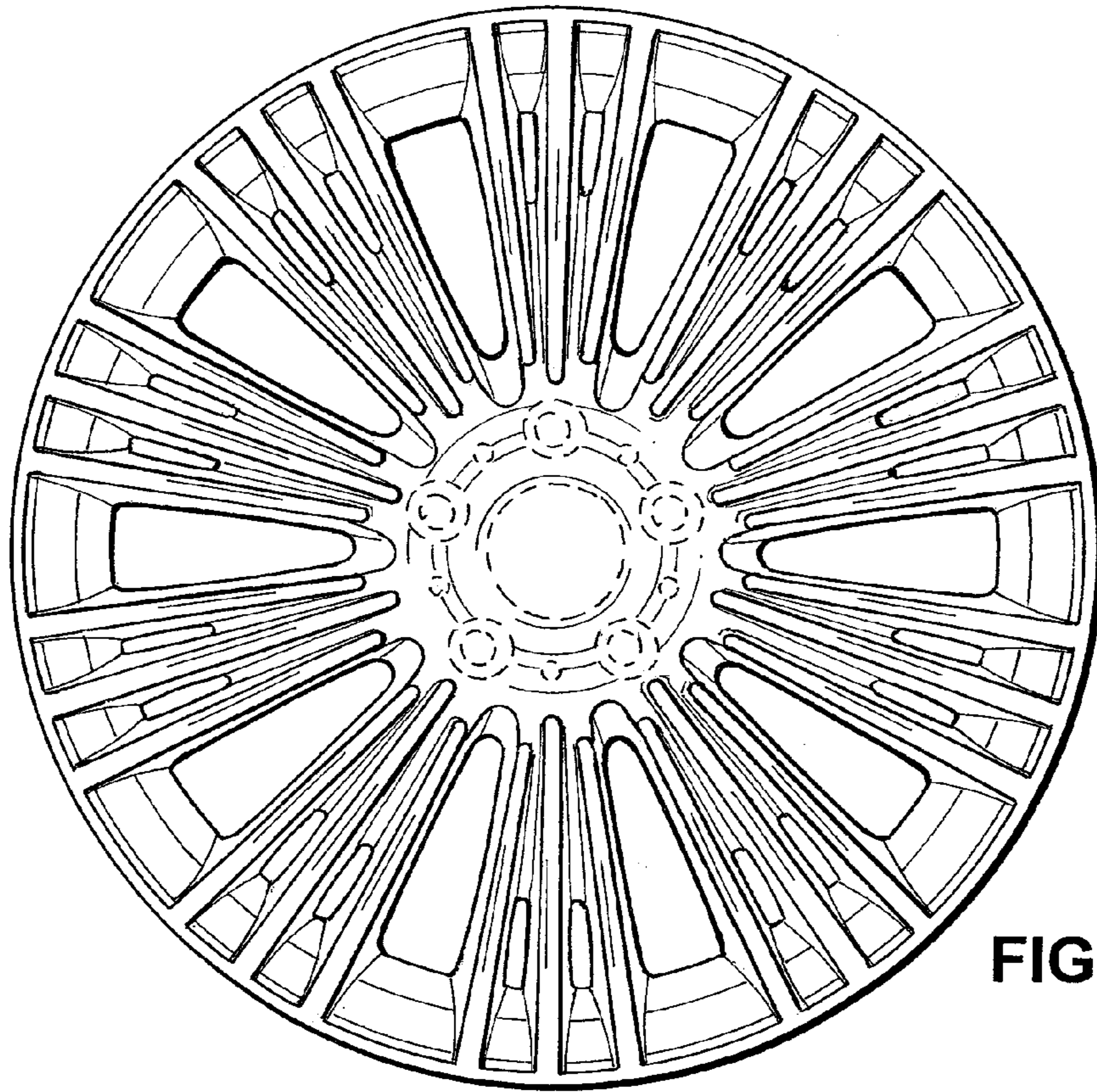


FIG. 1

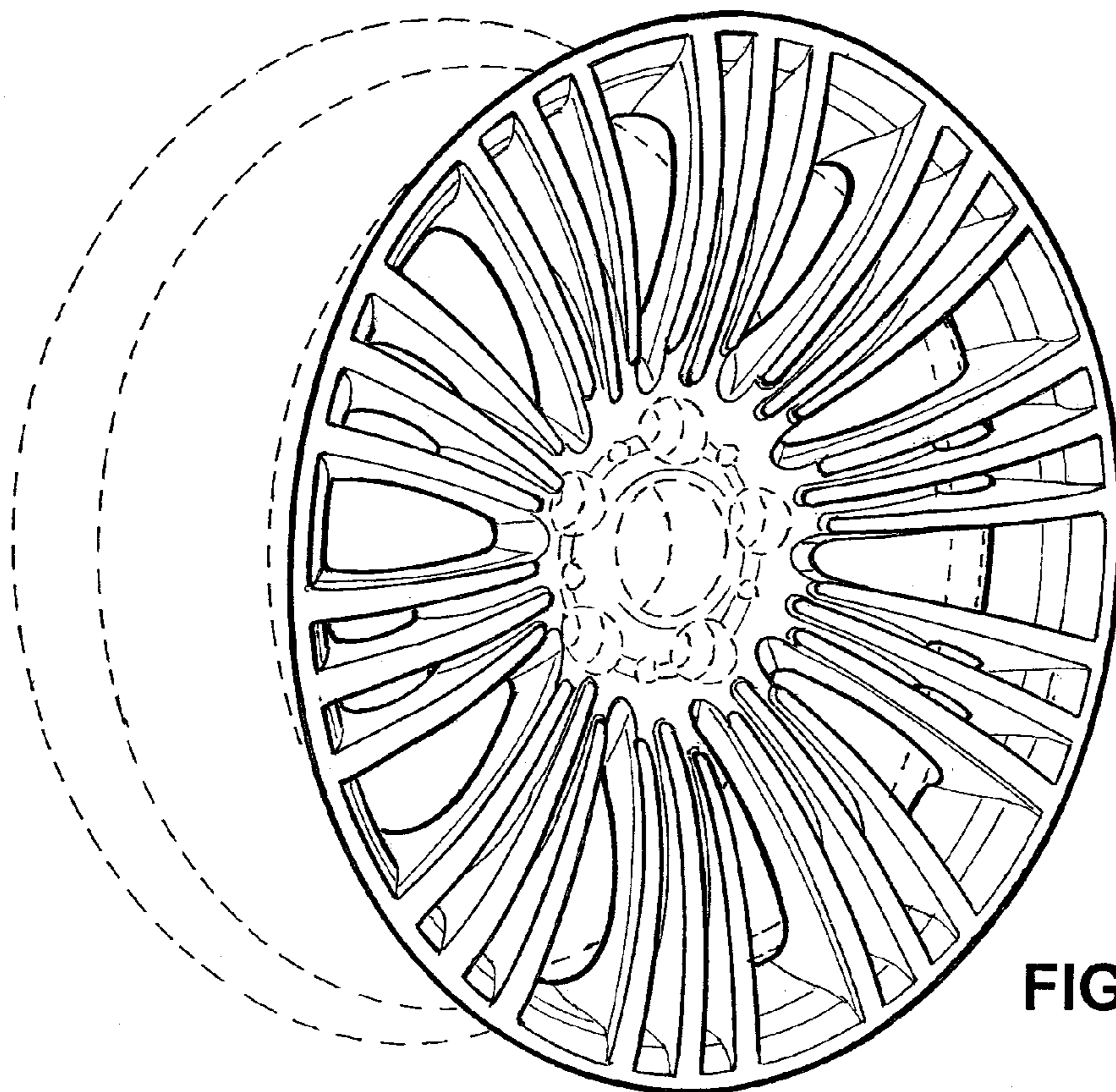


FIG. 2