

US00D667770S

(12) **United States Design Patent**
Garbas

(10) **Patent No.:** **US D667,770 S**

(45) **Date of Patent:** **** Sep. 25, 2012**

(54) **WHEEL OR WHEEL COVER**

(75) Inventor: **Benjamin Garbas**, Munich (DE)

(73) Assignee: **Bayerische Motoren Werke
Aktiengesellschaft**, Munich (DE)

(**) Term: **14 Years**

(21) Appl. No.: **29/393,863**

(22) Filed: **Jun. 10, 2011**

(30) **Foreign Application Priority Data**

Dec. 13, 2010 (DE) 402010006698

(51) **LOC (9) Cl.** **12-16**

(52) **U.S. Cl.** **D12/209**

(58) **Field of Classification Search** D12/204-213;
301/37.101, 64.101, 65, 64.201

See application file for complete search history.

(56) **References Cited**

U.S. PATENT DOCUMENTS

D403,289 S *	12/1998	Watanabe	D12/209
D467,855 S *	12/2002	Laengerer	D12/209
D474,139 S	5/2003	Warming		
D480,342 S *	10/2003	Wang	D12/209
D486,769 S *	2/2004	Gallert	D12/209
D487,881 S *	3/2004	Laengerer	D12/209
D491,865 S *	6/2004	Warming	D12/209

D506,428 S *	6/2005	Hussaini et al.	D12/209
D522,433 S	6/2006	Szavits		
D539,204 S	3/2007	Pollmann		
D544,426 S *	6/2007	Siler	D12/209
D593,920 S *	6/2009	Juergens et al.	D12/209
D607,396 S *	1/2010	Gallert	D12/209
D626,052 S *	10/2010	Majdandzic	D12/209

FOREIGN PATENT DOCUMENTS

DE	40106965.6	1/2002
EM	000380852-0003	10/2005
EM	000440813-0002	1/2006
EM	000511639-0002	6/2006
EM	001674441-0007	12/2010

* cited by examiner

Primary Examiner — Stacia Cadmus

(74) *Attorney, Agent, or Firm* — Crowell & Moring LLP

(57) **CLAIM**

The ornamental design for a wheel or wheel cover, as shown and described.

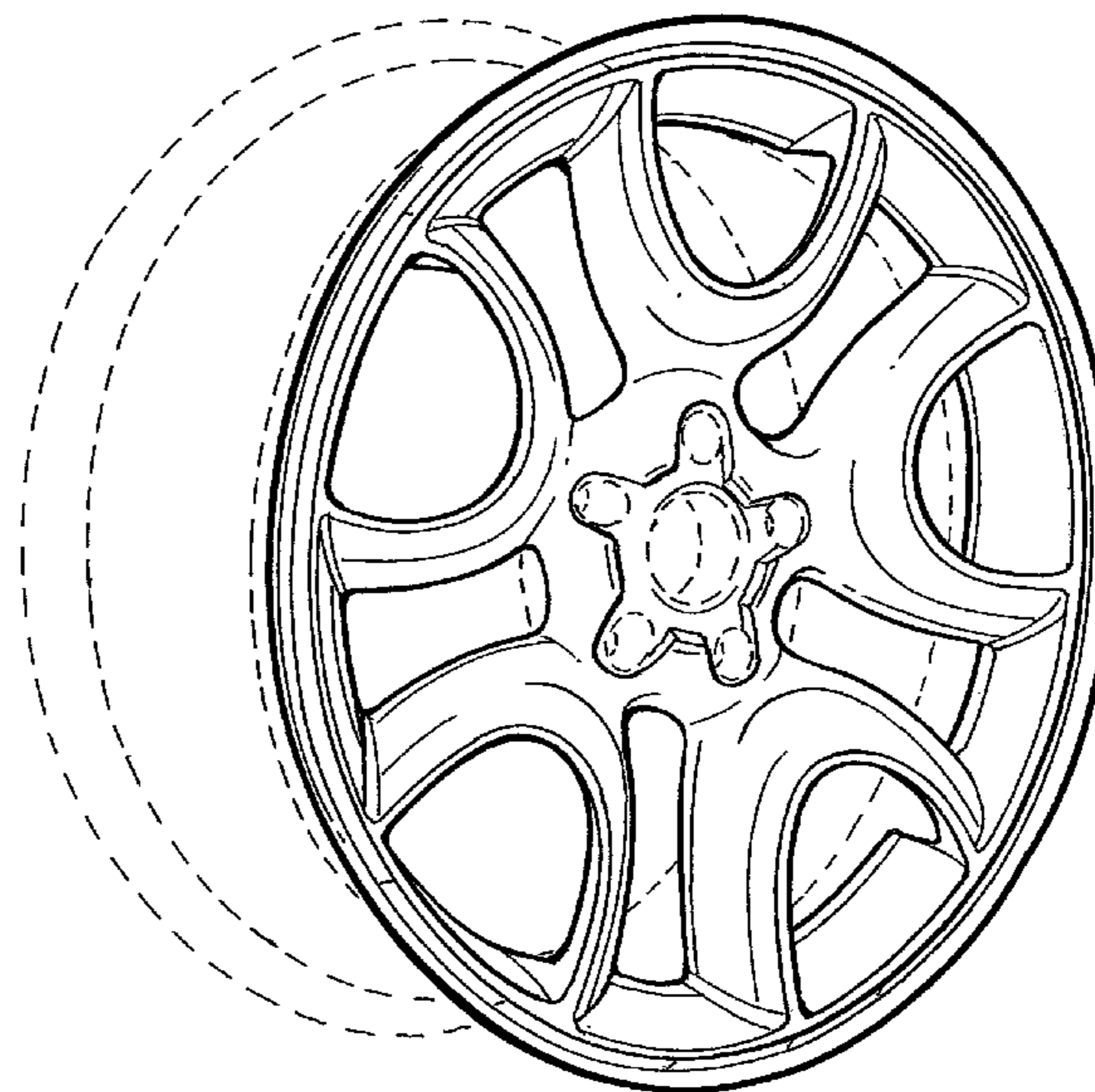
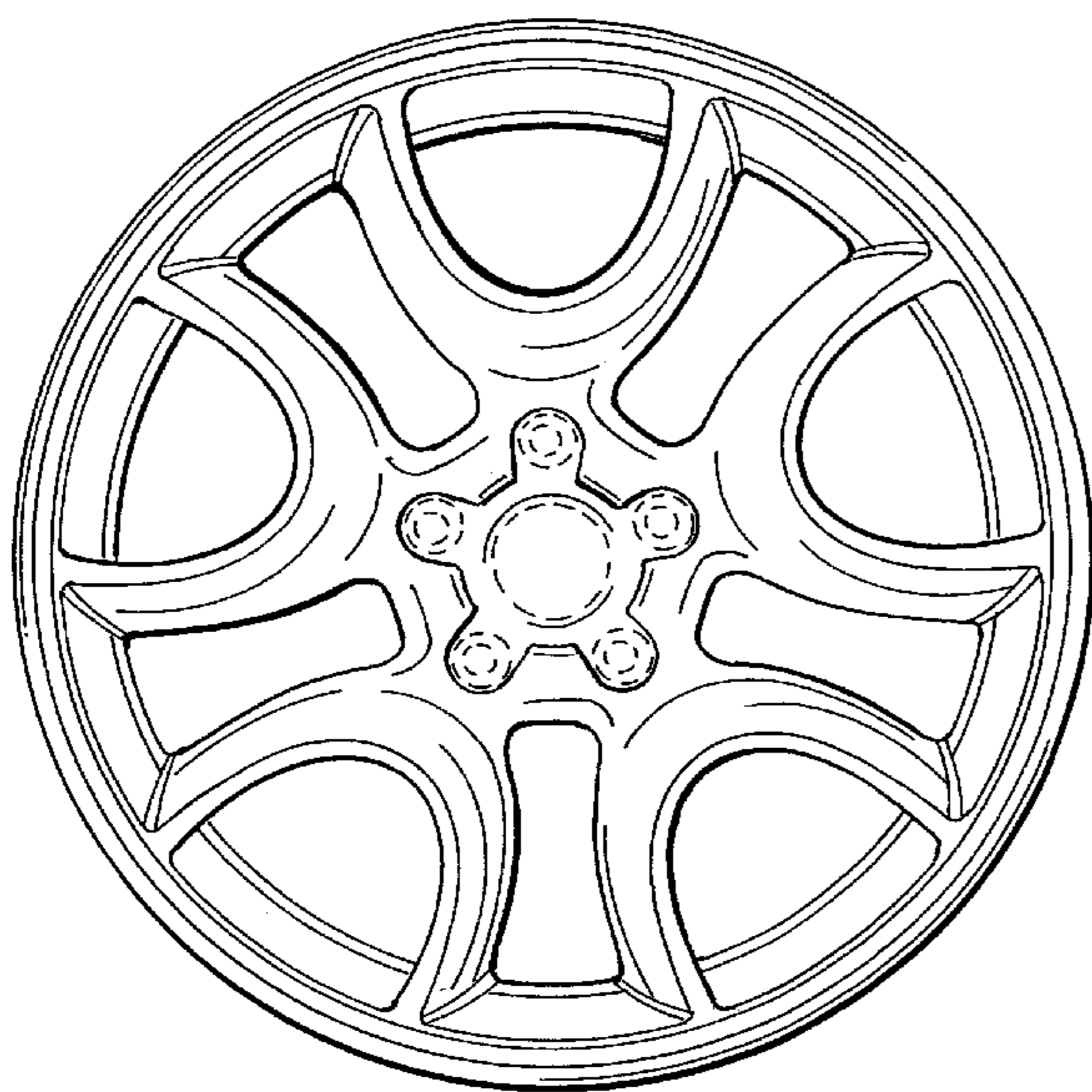
DESCRIPTION

FIG. 1 is a front view of a wheel or wheel cover according to my design; and,

FIG. 2 is a perspective view thereof.

The broken line showing of the rear of the wheel and the bolt holes and center opening in the central hub area is included for the purpose of illustrating environment and forms no part of the claimed design.

1 Claim, 1 Drawing Sheet



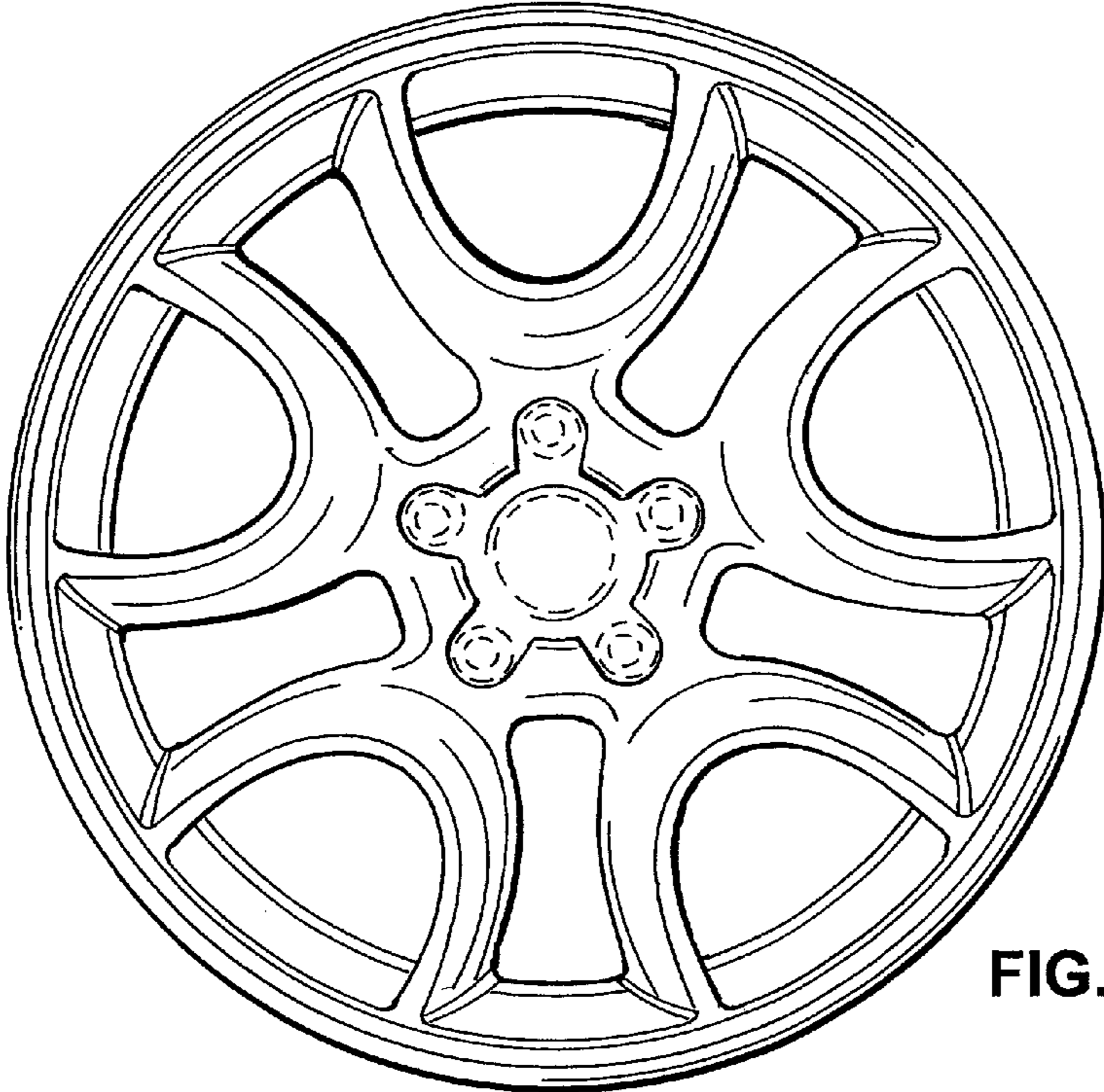


FIG. 1

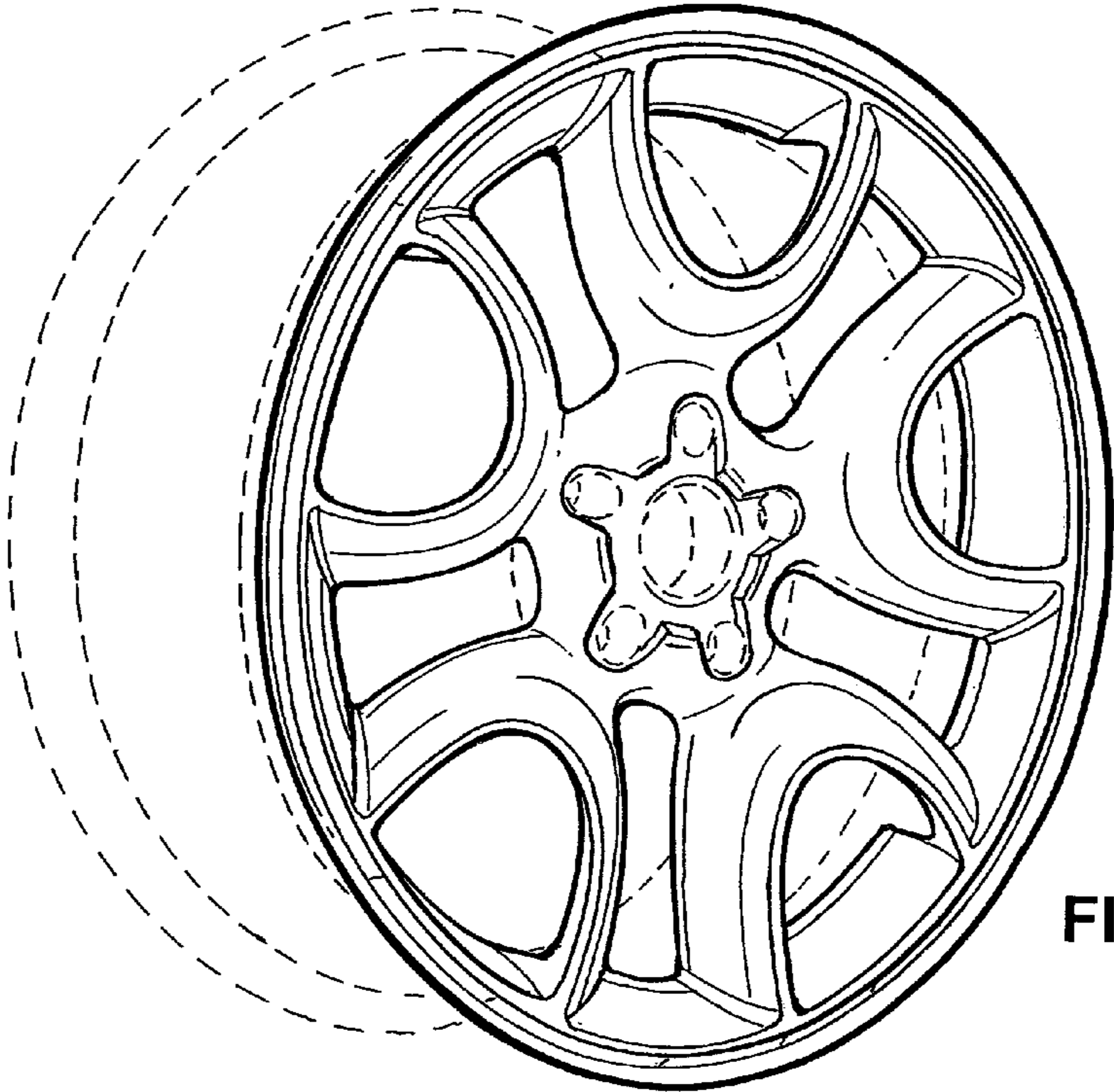


FIG. 2