



US00D667769S

(12) **United States Design Patent**
Pollmann

(10) **Patent No.:** **US D667,769 S**

(45) **Date of Patent:** **** Sep. 25, 2012**

(54) **WHEEL OR WHEEL COVER**

(75) Inventor: **Gert Pollmann**, Boehmfeld (DE)

(73) Assignee: **Bayerische Motoren Werke Aktiengesellschaft**, Munich (DE)

(**) Term: **14 Years**

(21) Appl. No.: **29/393,769**

(22) Filed: **Jun. 9, 2011**

(30) **Foreign Application Priority Data**

Dec. 10, 2010 (DE) 40 2010 006 653

(51) **LOC (9) Cl.** **12-16**

(52) **U.S. Cl.** **D12/209**

(58) **Field of Classification Search** D12/204-213;
301/37.101, 64.101, 65, 64.201

See application file for complete search history.

(56) **References Cited**

U.S. PATENT DOCUMENTS

D402,951 S	*	12/1998	Wechner	D12/211
D432,071 S	*	10/2000	Brown	D12/211
D479,178 S	*	9/2003	Lai	D12/211
D499,686 S	*	12/2004	Song	D12/211
D500,005 S	*	12/2004	van Hooydonk	D12/211
D526,947 S	*	8/2006	Kim	D12/209
D526,948 S	*	8/2006	Truebsbach	D12/211
D541,724 S	*	5/2007	Gallert	D12/211
D567,167 S		4/2008	Forster		
D580,840 S		11/2008	Elmitt		
D583,742 S	*	12/2008	Juergens et al.	D12/211
D593,020 S		5/2009	Blasi		
D593,022 S		5/2009	Forster et al.		

D612,787 S	*	3/2010	Juergens et al.	D12/209
D617,719 S	*	6/2010	Zhao	D12/211
D619,951 S		7/2010	Baum		
D619,952 S	*	7/2010	Juergens et al.	D12/211
D629,346 S		12/2010	Szews		
D635,076 S	*	3/2011	De Bono	D12/209
D639,227 S	*	6/2011	Leclercq	D12/211

FOREIGN PATENT DOCUMENTS

DE		40010998.0		3/2001
EM		000422795-0001		12/2005
EM		000735758-0006		7/2007
EM		000624812-0005		3/2008
EM		000871843-0001		3/2008
EM		000976881-0001		10/2008
EM		000997572-0004		10/2008
EM		001693599-0003		6/2011

* cited by examiner

Primary Examiner — Stacia Cadmus

(74) *Attorney, Agent, or Firm* — Crowell & Moring LLP

(57) **CLAIM**

The ornamental design for a wheel or wheel cover, as shown and described.

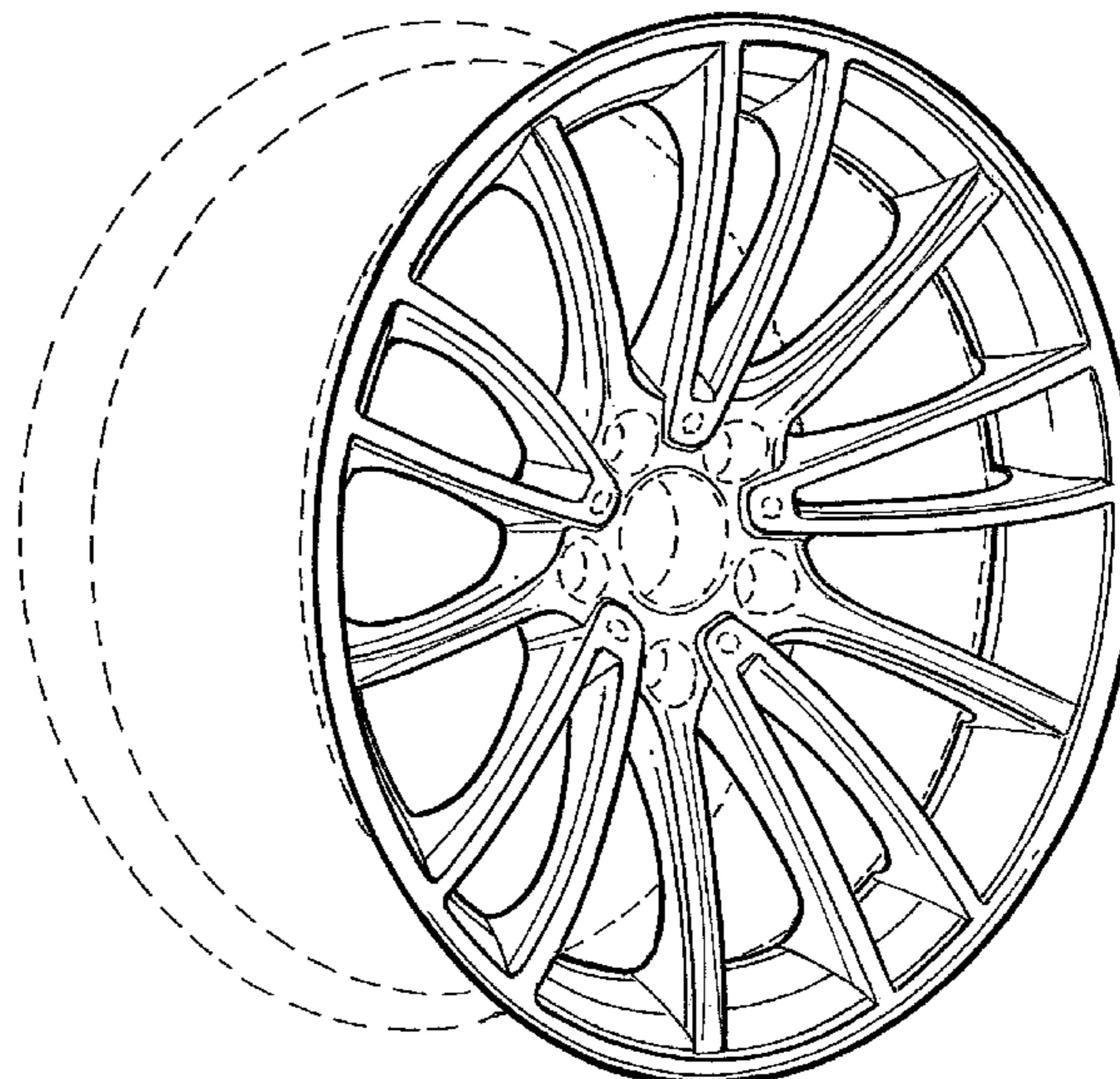
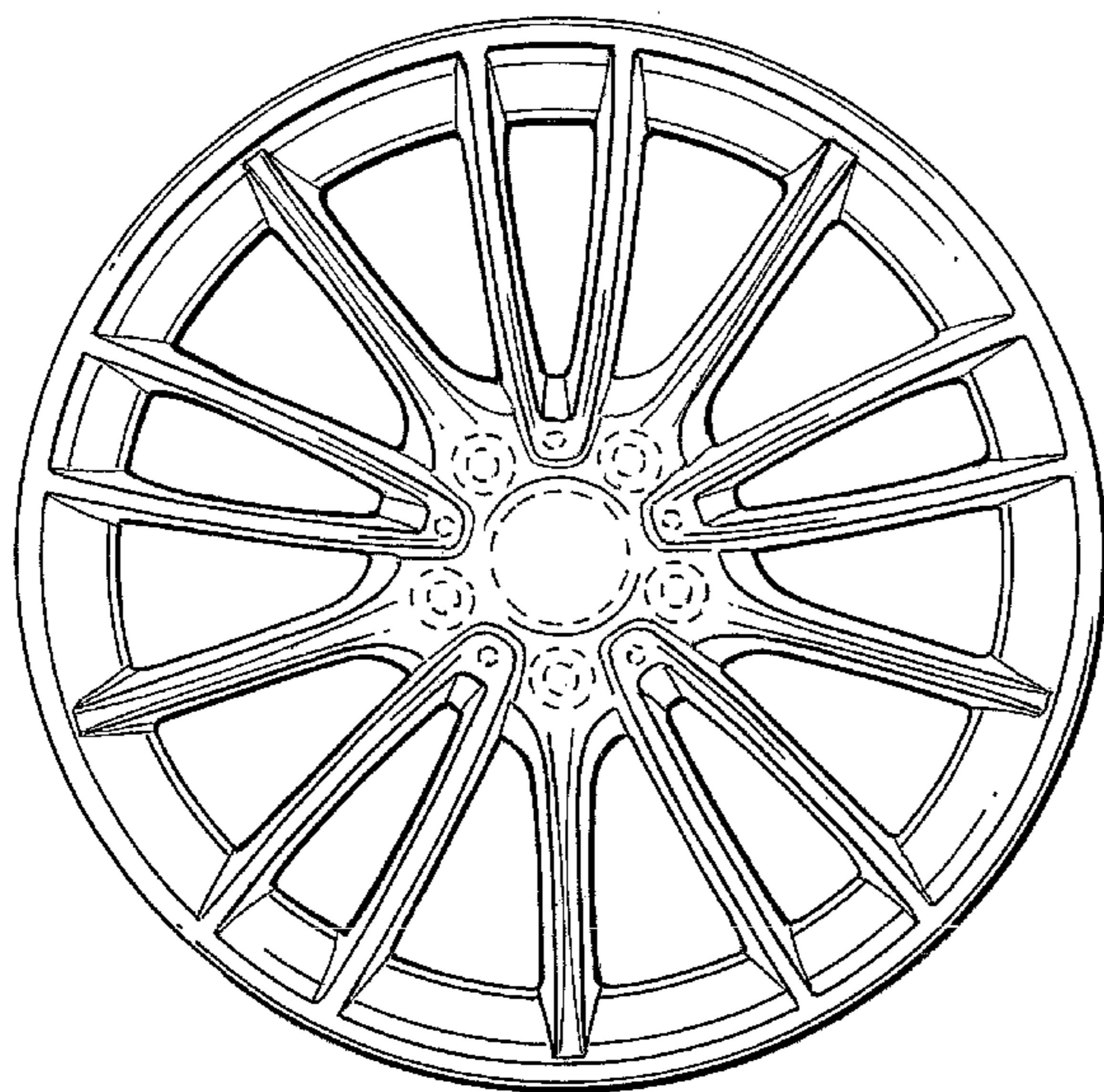
DESCRIPTION

FIG. 1 is a front view of a wheel or wheel cover according to my design; and,

FIG. 2 is a perspective view thereof.

The broken line showing of the rear of the wheel and the bolt holes and center opening in the central hub area is included for the purpose of illustrating environment and forms no part of the claimed design.

1 Claim, 1 Drawing Sheet



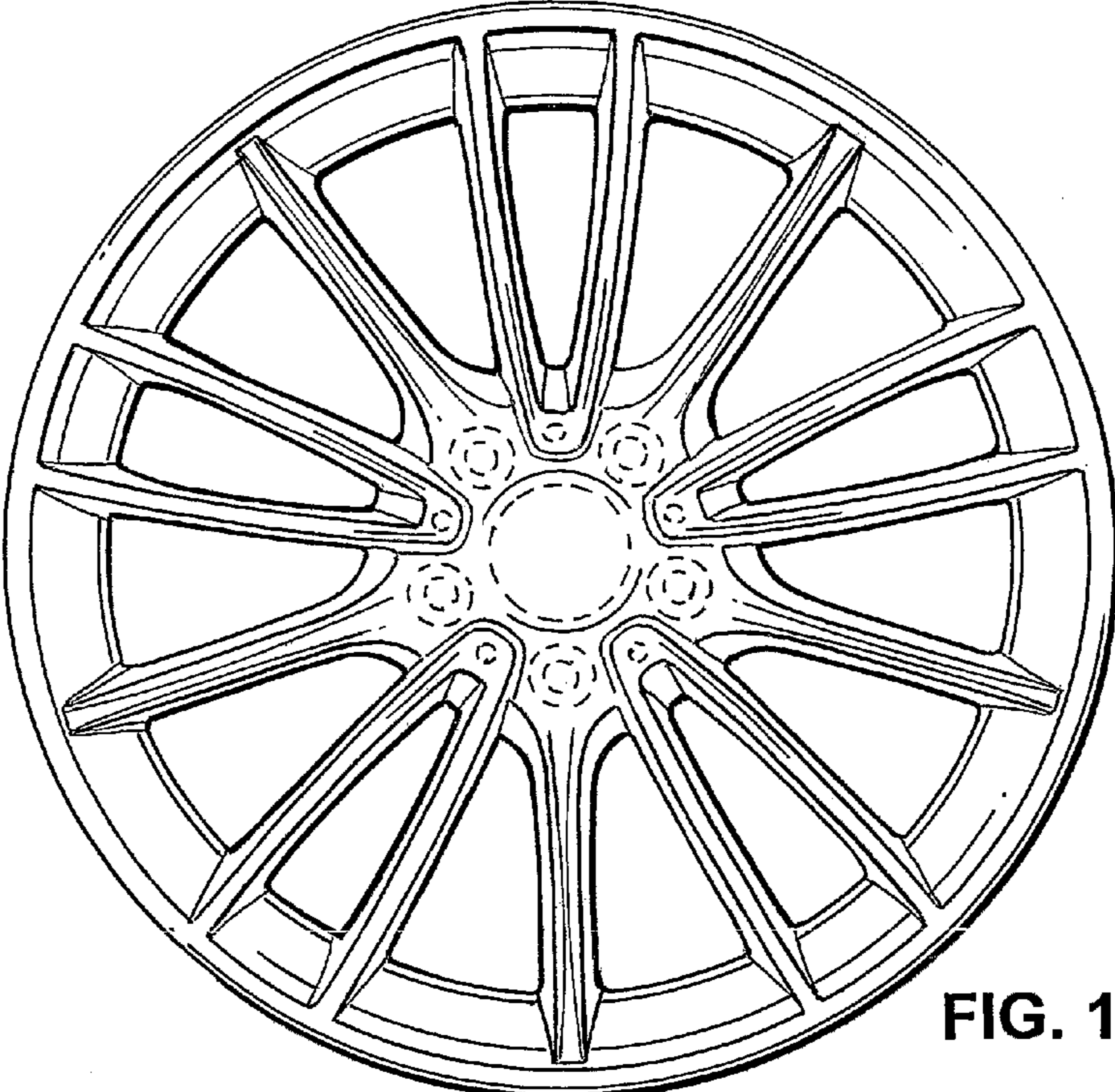


FIG. 1

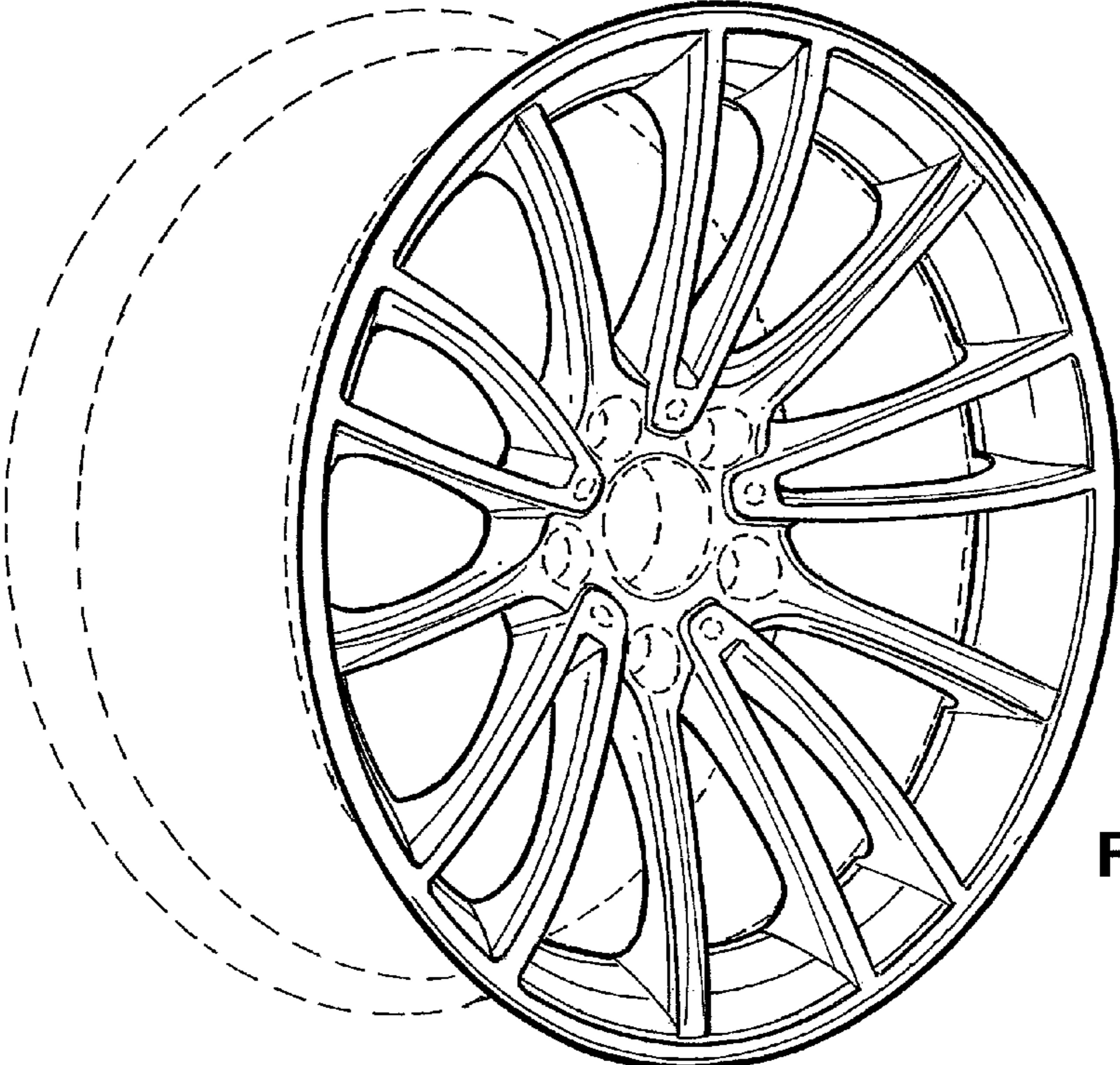


FIG. 2