

US00D667768S

(12) **United States Design Patent**
Elmitt

(10) **Patent No.:** **US D667,768 S**

(45) **Date of Patent:** **** Sep. 25, 2012**

(54) **WHEEL OR WHEEL COVER**

(75) **Inventor:** **Karl-Johann Elmitt**, Eching (DE)

(73) **Assignee:** **Bayerische Motoren Werke Aktiengesellschaft**, Munich (DE)

(**) **Term:** **14 Years**

(21) **Appl. No.:** **29/390,769**

(22) **Filed:** **Apr. 29, 2011**

(30) **Foreign Application Priority Data**

Oct. 30, 2010 (DE) 40 2010 006 028

(51) **LOC (9) Cl.** **12-16**

(52) **U.S. Cl.** **D12/209**

(58) **Field of Classification Search** D12/204-213;
301/37.101, 64.101, 65, 64.201

See application file for complete search history.

(56) **References Cited**

U.S. PATENT DOCUMENTS

D483,714 S *	12/2003	Warming	D12/211
D515,491 S	2/2006	Elmitt		
D517,970 S *	3/2006	Pollmann	D12/209
D580,840 S *	11/2008	Elmitt	D12/209
D596,101 S *	7/2009	Tant et al.	D12/211
D621,771 S	8/2010	Truebsbach		
D623,108 S *	9/2010	Spoerle	D12/209
D635,078 S	3/2011	Elmitt		
D643,355 S *	8/2011	Truebsbach	D12/209
D643,794 S *	8/2011	Elmitt	D12/211
D654,007 S *	2/2012	Nissl	D12/211

D654,841 S *	2/2012	Mueller-Stolz et al.	D12/209
D655,661 S *	3/2012	Truebsbach	D12/211
D658,101 S *	4/2012	Nissl	D12/209

FOREIGN PATENT DOCUMENTS

EM	000304274-0004	5/2005
EM	000871843-0001	3/2008
EM	001744640-0004	8/2010
EM	001754979-0001	9/2010
EM	001655861-0003	10/2010
EM	001804675-0008	1/2011
EM	001804709-0003	1/2011

* cited by examiner

Primary Examiner — Stacia Cadmus

(74) *Attorney, Agent, or Firm* — Crowell & Moring LLP

(57) **CLAIM**

The ornamental design for a wheel or wheel cover, as shown and described.

DESCRIPTION

This application contains subject matter related to the following co-pending U.S. design patent applications:

Application Ser. No. 29/371,359, filed Jan. 14, 2011 and entitled "Wheel or Wheel Cover;" and

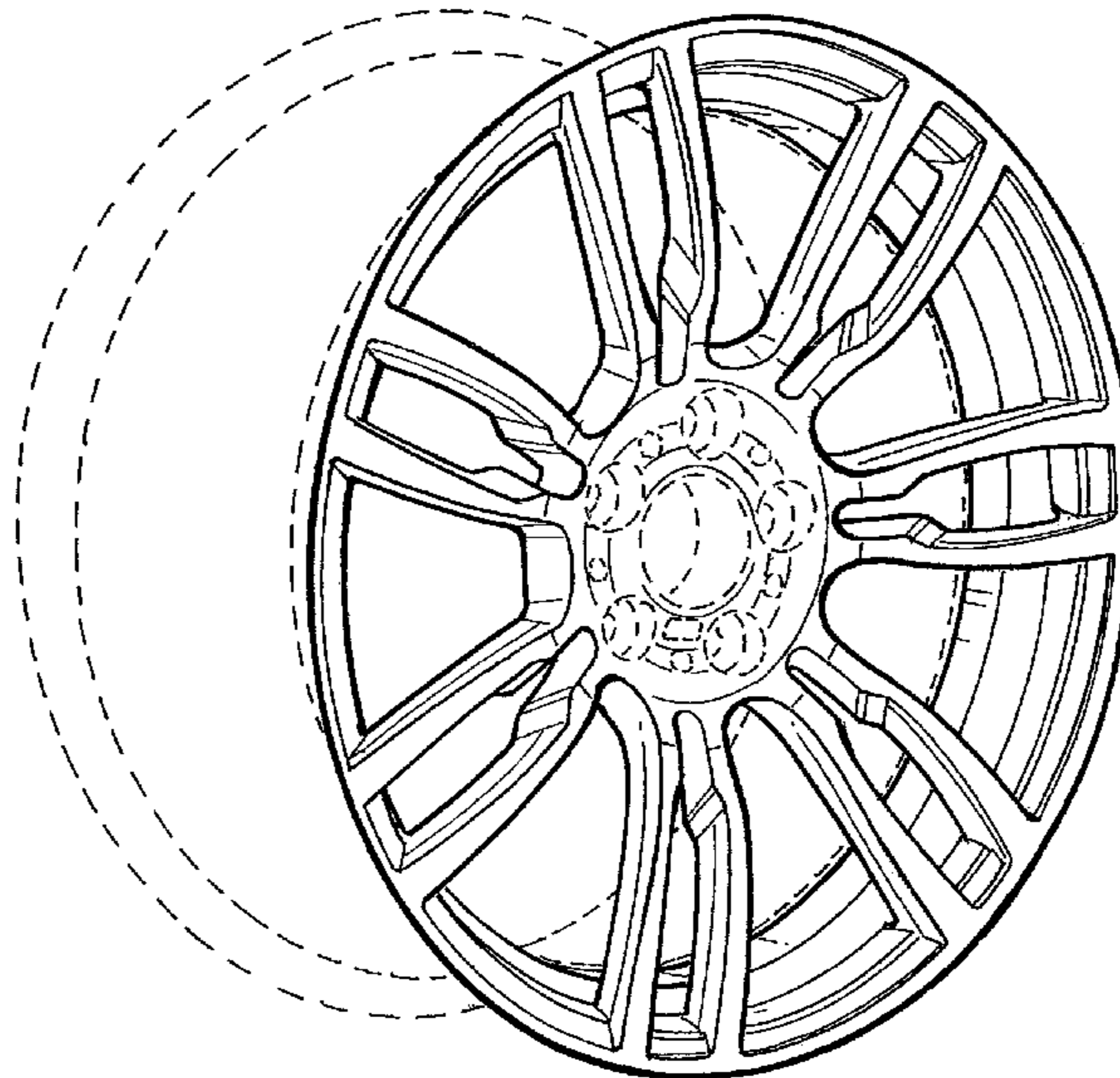
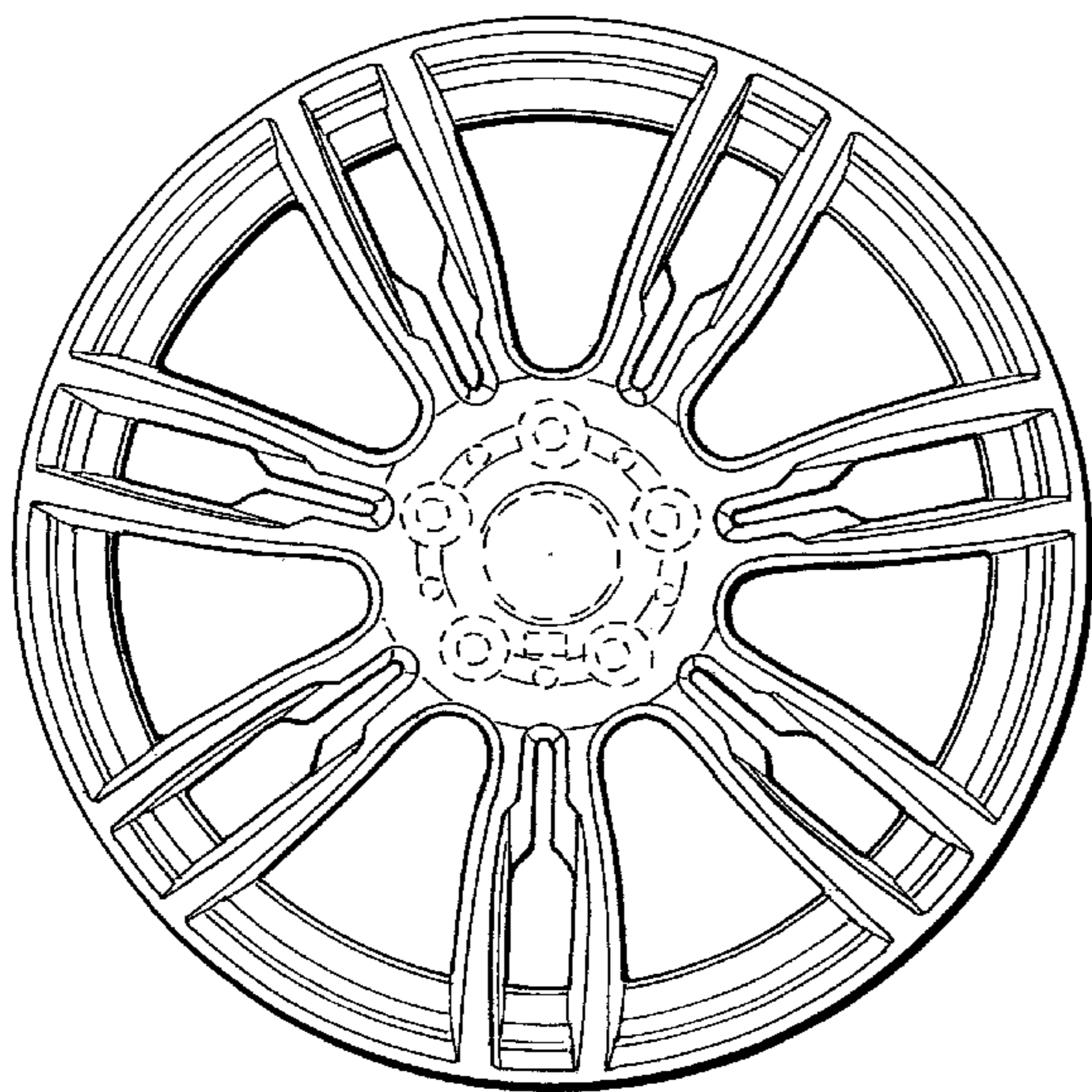
Application Ser. No. 29/371,387, filed Jan. 26, 2011 and entitled "Wheel or Wheel Cover."

FIG. 1 is a front view of a wheel or wheel cover according to my design; and,

FIG. 2 is a perspective view thereof.

The broken line showing of the rear of the wheel and the bolt holes and center opening in the central hub area is included for the purpose of illustrating environment and forms no part of the claimed design.

1 Claim, 1 Drawing Sheet



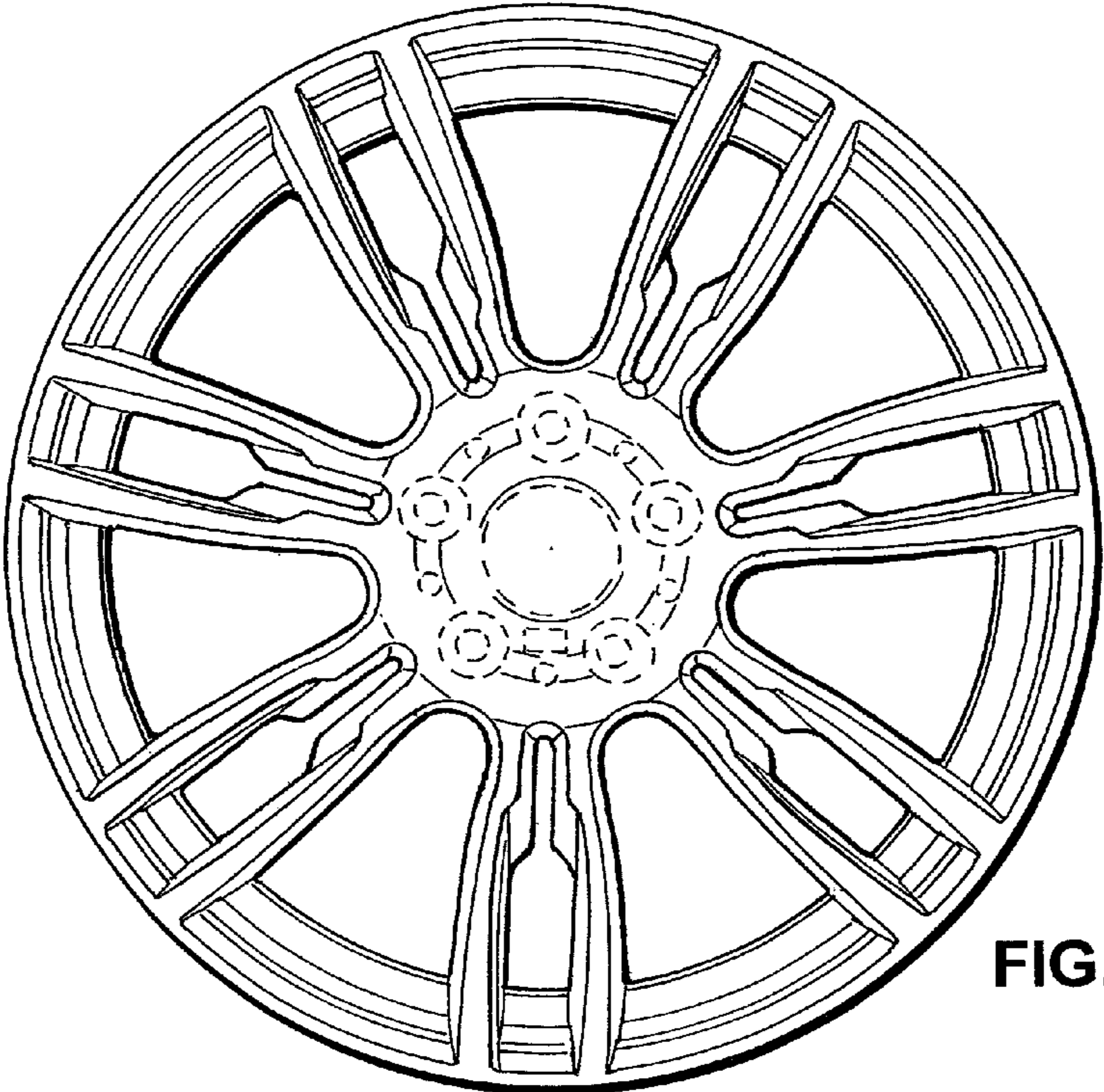


FIG. 1

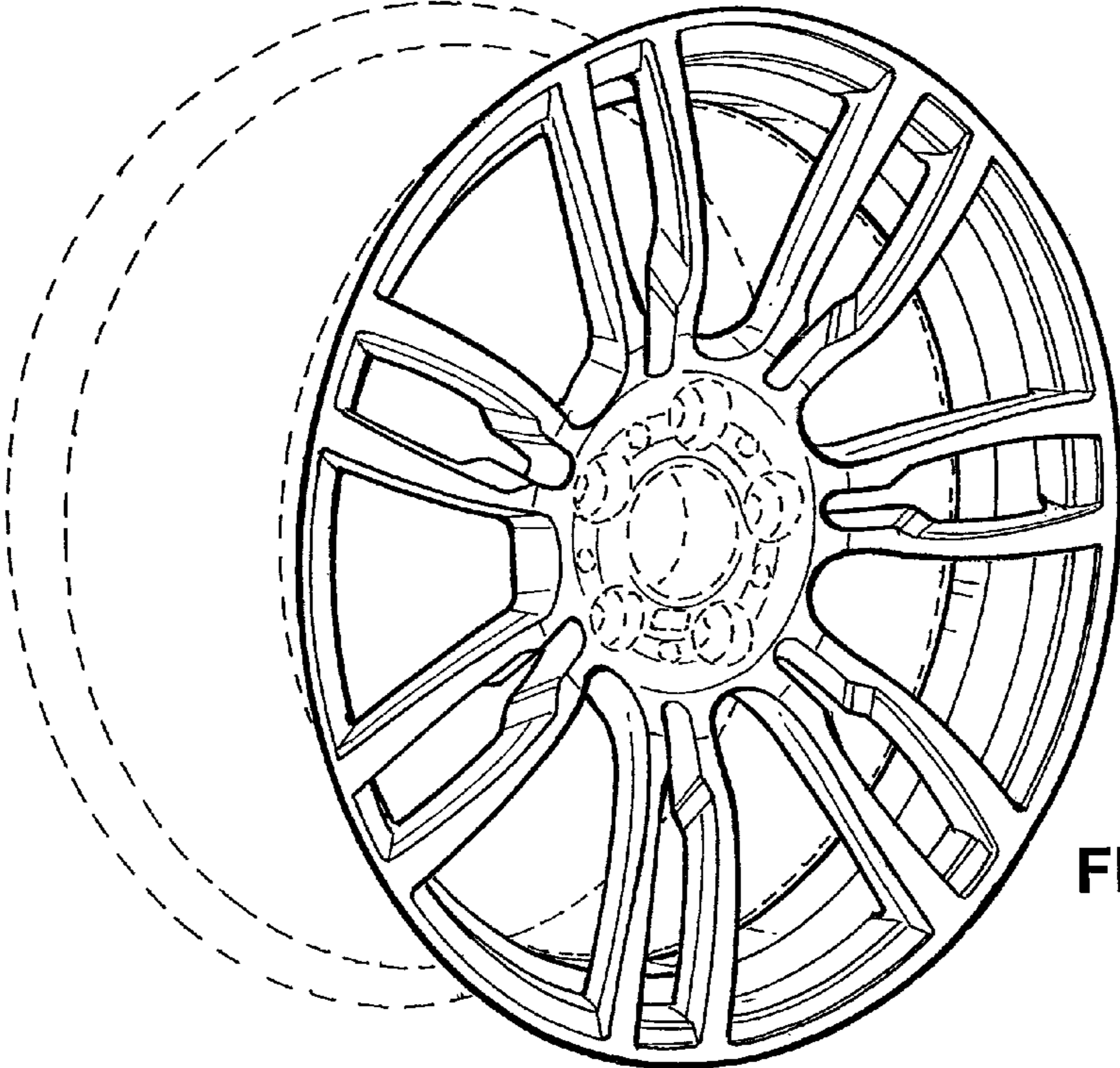


FIG. 2