



US00D667765S

(12) **United States Design Patent**  
**Buell et al.**

(10) **Patent No.:** **US D667,765 S**

(45) **Date of Patent:** **\*\* Sep. 25, 2012**

(54) **MIRROR ASSEMBLY**

(75) Inventors: **Erik Buell**, Mukwonago, WI (US);  
**Anthony D. Stefanelli**, Elkhorn, WI  
(US); **Giancarlo Battaglini**, Eagle, WI  
(US)

(73) Assignee: **Hero MotoCorp Limited**, New Delhi  
(IN)

(\*\*) Term: **14 Years**

(21) Appl. No.: **29/409,868**

(22) Filed: **Dec. 29, 2011**

(51) **LOC (9) Cl.** ..... **12-16**

(52) **U.S. Cl.** ..... **D12/187**

(58) **Field of Classification Search** ..... D12/187,  
D12/188-189; D6/309, 300; 359/838, 841,  
359/842, 843, 844, 868, 871, 604, 881, 514,  
359/866; 248/479-483, 475.1

See application file for complete search history.

(56) **References Cited**

**U.S. PATENT DOCUMENTS**

7,048,420 B2 \* 5/2006 Arakawa ..... 362/494  
D585,800 S \* 2/2009 Cheng ..... D12/187  
D609,151 S \* 2/2010 Kouchi et al. .... D12/187  
D612,311 S \* 3/2010 Weil ..... D12/187

D625,674 S \* 10/2010 Majdandzic ..... D12/187  
D626,047 S \* 10/2010 Owyang ..... D12/187  
D636,311 S \* 4/2011 Faghihzadeh ..... D12/187  
D654,003 S \* 2/2012 Kuo ..... D12/187  
2006/0050423 A1 \* 3/2006 Secanu et al. .... 359/871

\* cited by examiner

*Primary Examiner* — Caron D Veynar

*Assistant Examiner* — Katrina A Betton

(74) *Attorney, Agent, or Firm* — Brinks Hofer Gilson &  
Lione

(57) **CLAIM**

We claim the ornamental design for a mirror assembly, as  
shown and described.

**DESCRIPTION**

FIG. 1 is a perspective view of my new design of a mirror  
assembly;

FIG. 2 is a front view of my design shown in FIG. 1;

FIG. 3 is a rear view of my design shown in FIG. 1;

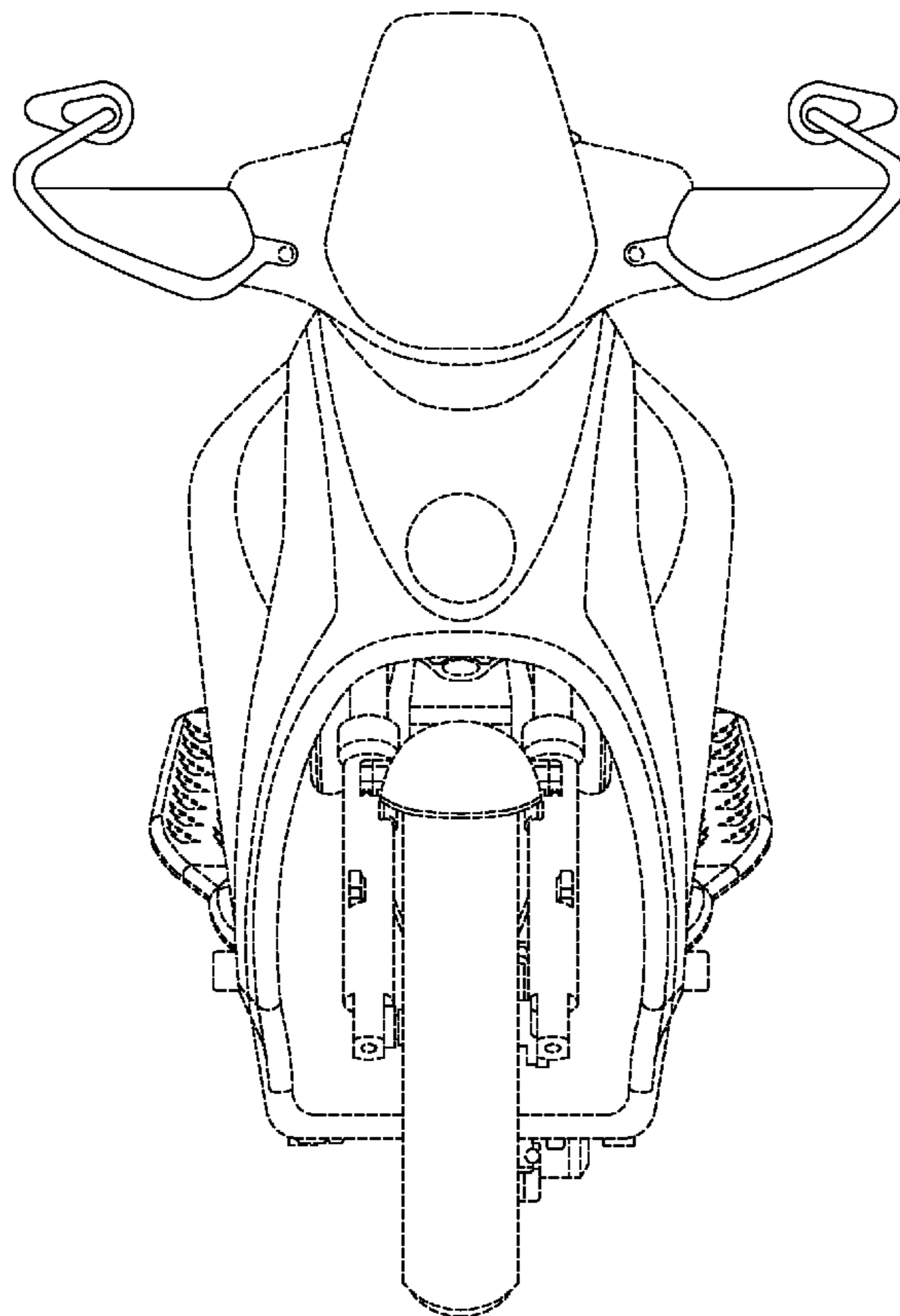
FIG. 4 is a side view of my design shown in FIG. 1;

FIG. 5 is a top view of my design shown in FIG. 1; and,

FIG. 6 is a bottom view of my design shown in FIG. 1.

The ornamental design which is claimed is shown in solid  
lines in the drawings. In the drawings, the broken lines depict  
a vehicle and form no part of the claimed design.

**1 Claim, 5 Drawing Sheets**



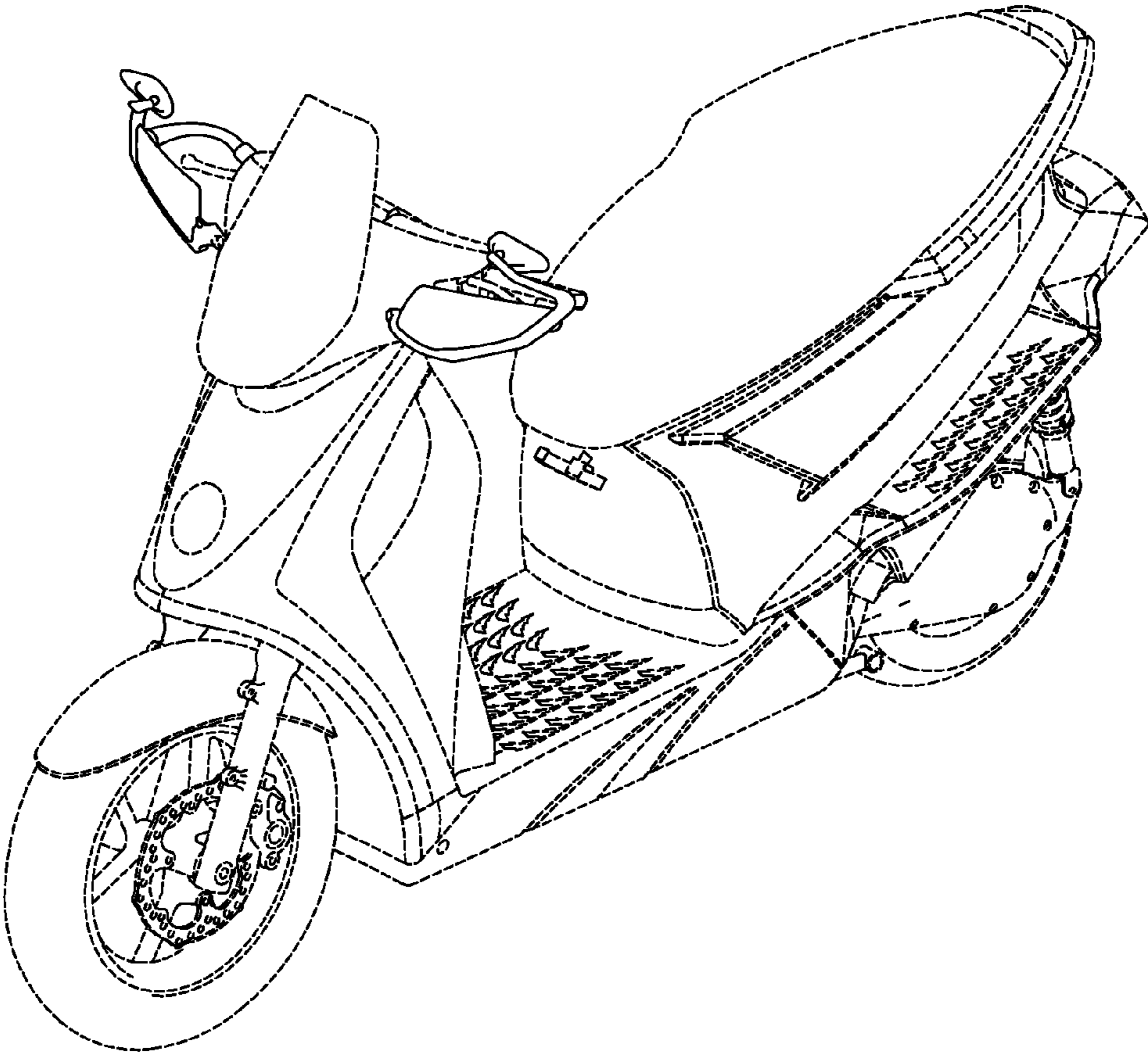


Figure 1

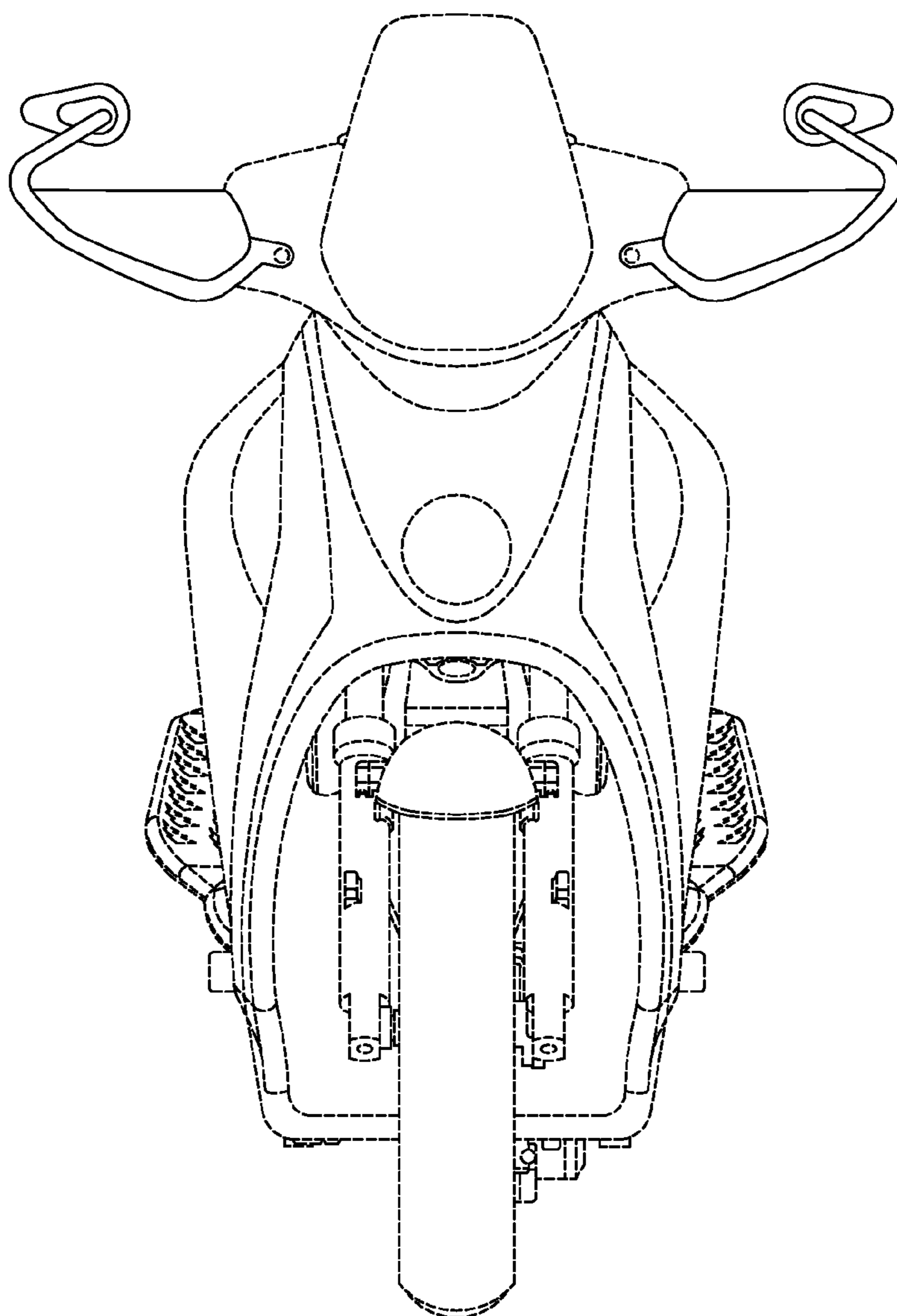


Figure 2

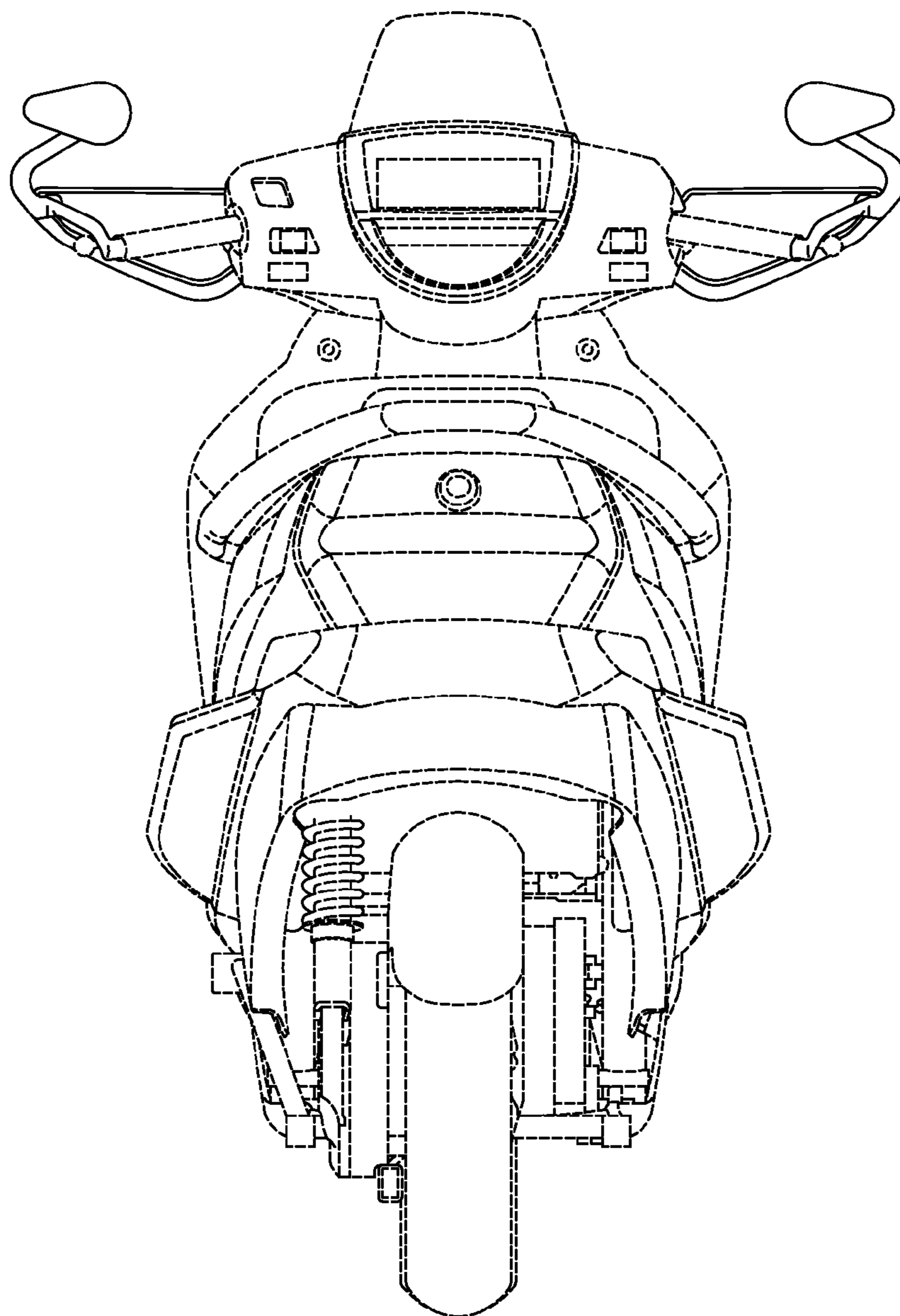


Figure 3

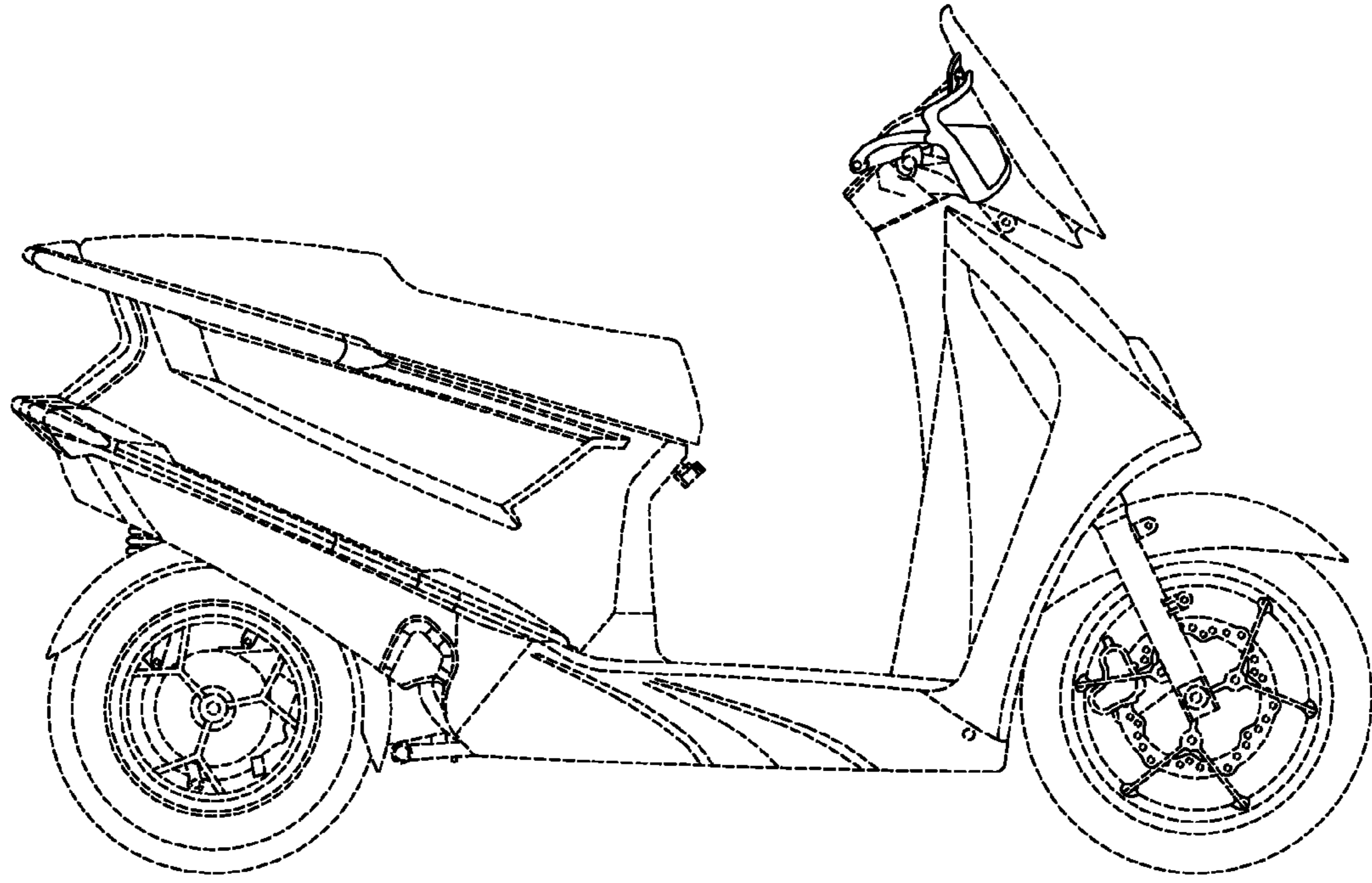


Figure 4

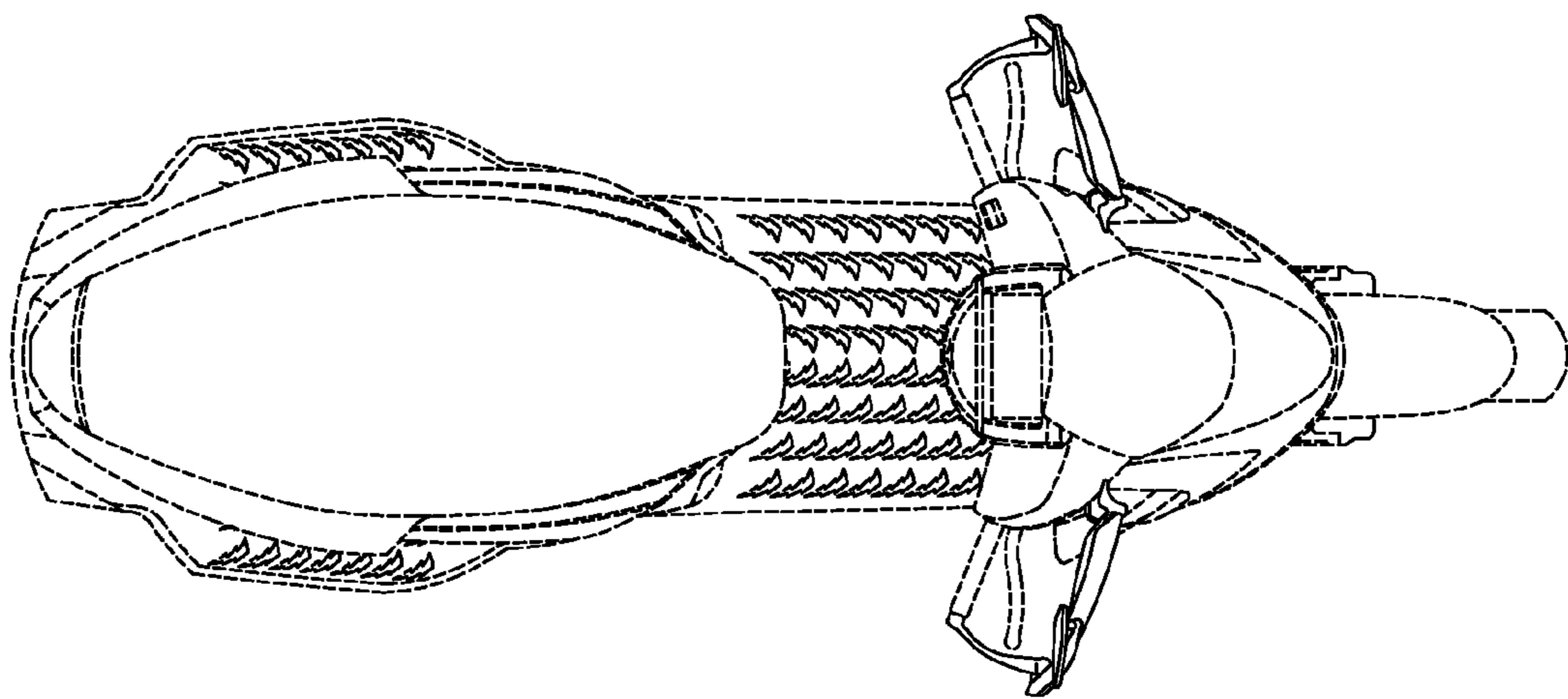


Figure 5

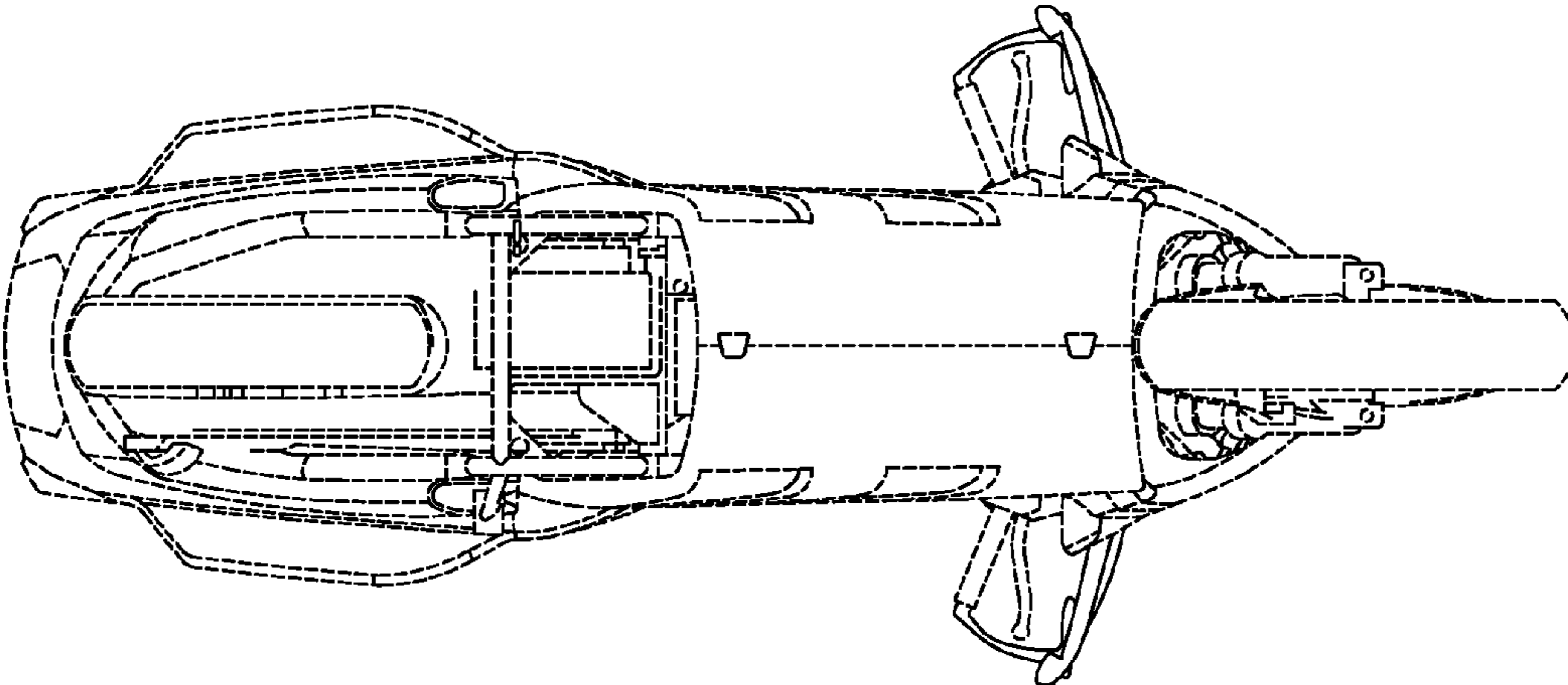


Figure 6