



US00D667761S

(12) **United States Design Patent**
Jurkiewicz et al.

(10) **Patent No.:** **US D667,761 S**

(45) **Date of Patent:** **** Sep. 25, 2012**

(54) **TIRE**

(75) Inventors: **Damon Jurkiewicz**, Cleveland, OH (US); **Nirav Pandya**, North Olmsted, OH (US); **Robert L. Cuson**, Lagrange, OH (US)

(73) Assignee: **Invacare Corp.**, Elyria, OH (US)

(**) Term: **14 Years**

(21) Appl. No.: **29/378,818**

(22) Filed: **Nov. 10, 2010**

(51) **LOC (9) Cl.** **12-12**

(52) **U.S. Cl.** **D12/133**

(58) **Field of Classification Search** D12/128-133, D12/500-509, 106; 280/62, 647-650, 29, 280/200, 47.38, 250.1, 259, 642, 658; 296/65.03, 296/65.04; 224/409; 297/DIG. 4; D8/375; D7/402

See application file for complete search history.

(56) **References Cited**

U.S. PATENT DOCUMENTS

D16,363 S *	11/1885	Maris	D12/207
D16,467 S *	1/1886	Maris	D12/207
D231,801 S	6/1974	Pivacek		
3,865,427 A	2/1975	Delany		
4,025,112 A	5/1977	Hale		
D248,748 S *	8/1978	Siroonian	D12/207
D296,198 S *	6/1988	Buchanan	D12/106
4,961,610 A	10/1990	Reeder et al.		
5,033,792 A	7/1991	Kanazawa		
5,275,466 A	1/1994	Rentchler, Jr.		
D365,787 S	1/1996	Peterson et al.		
D367,031 S *	2/1996	Hubbach	D12/209
D371,533 S *	7/1996	Castiglione	D12/209
D380,991 S	7/1997	Deming		
D401,896 S *	12/1998	Chandler et al.	D12/501

D414,453 S *	9/1999	Tsai	D12/209
6,015,190 A	1/2000	Wend		
D445,077 S *	7/2001	Lovitt, Jr.	D12/207
6,352,273 B1	3/2002	Dickie		
6,386,638 B1	5/2002	Strauch		
D462,639 S	9/2002	Lin		
6,459,962 B2	10/2002	Ulrich et al.		
D468,669 S	1/2003	Hopely, Jr.		
D470,447 S *	2/2003	Orey	D12/207

(Continued)

FOREIGN PATENT DOCUMENTS

WO 97/46516 12/1997

OTHER PUBLICATIONS

Invacare Corporation, product Catalog, copyright 2004, printed Feb. 18, 2011, 14 pgs.

(Continued)

Primary Examiner — Ian Simmons

Assistant Examiner — Charles Hanson

(74) *Attorney, Agent, or Firm* — Calfee, Halter & Griswold, LLP

(57) **CLAIM**

The ornamental design for a tire, as shown and described.

DESCRIPTION

FIG. 1 is a perspective view of the tire showing a second embodiment of the new design;

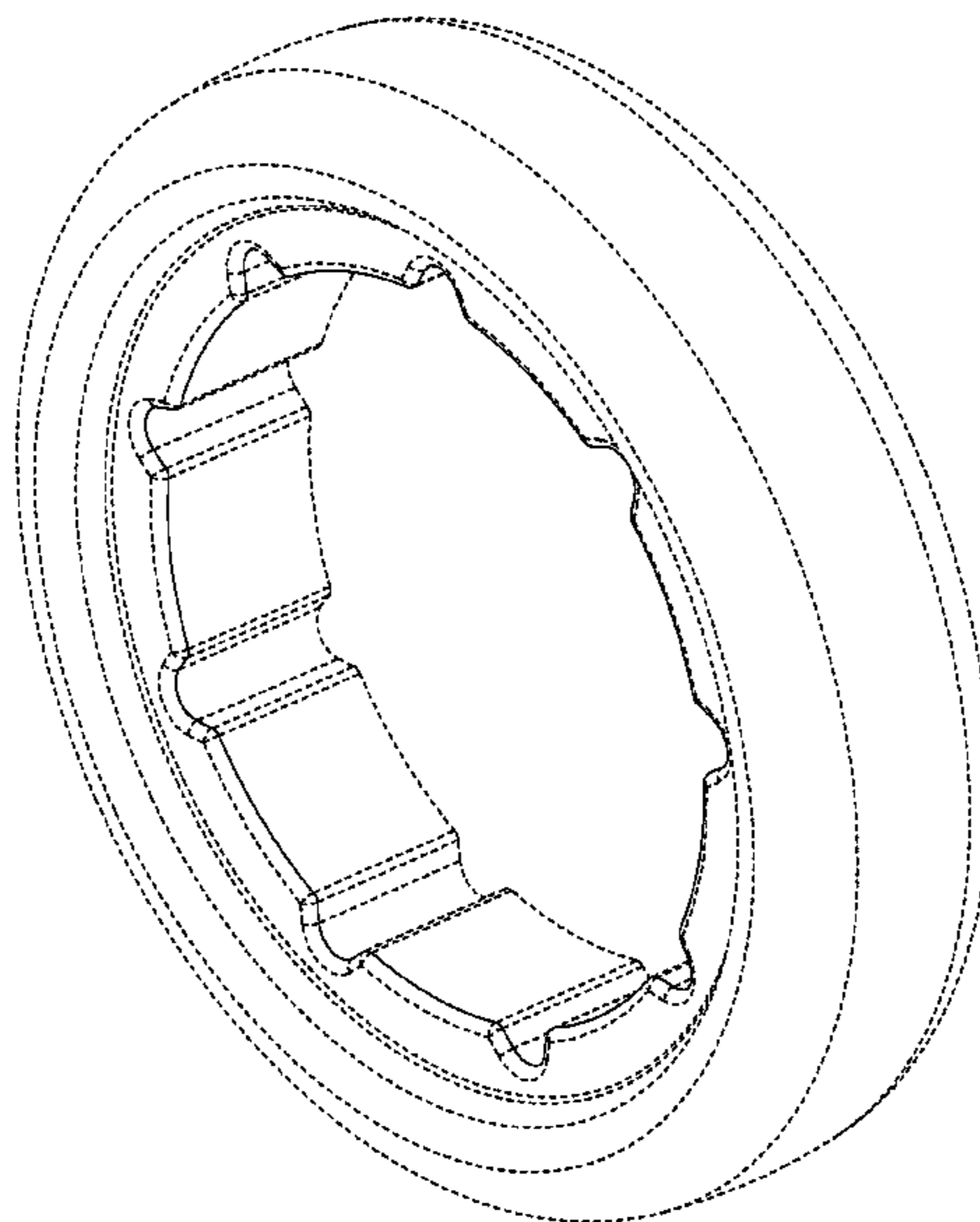
FIG. 2 is an outer side view of the tire design shown in FIG. 1;

FIG. 3 is an outer side view of the tire design shown in FIG. 1; and,

FIG. 4 is a tread view of the tire design shown in FIG. 1.

The broken line showing is included for the purpose of illustrating environment and forms no part of the claimed design.

1 Claim, 3 Drawing Sheets



US D667,761 S

Page 2

U.S. PATENT DOCUMENTS

D477,261 S * 7/2003 Lin D12/209
D486,762 S * 2/2004 He D12/506
D491,115 S 6/2004 Taylor
D494,110 S 8/2004 Cheng
D495,200 S * 8/2004 McKenzie D7/402
D500,719 S * 1/2005 Baker D12/207
D523,788 S 6/2006 Jones et al.
D523,805 S * 6/2006 Martin D12/501
D524,196 S * 7/2006 You D12/133
D529,844 S 10/2006 Chen et al.
D539,203 S * 3/2007 Danbom et al. D12/204
D540,221 S 4/2007 Cartellone et al.
D559,741 S 1/2008 Lasher, III
D568,726 S * 5/2008 Kohagen D8/375
D569,769 S 5/2008 Chiu et al.
7,413,045 B2 8/2008 Tien
D583,290 S * 12/2008 Wang D12/207
D585,794 S 2/2009 Lin
D589,411 S 3/2009 Brown et al.
D593,473 S * 6/2009 Fournier et al. D12/207
D614,541 S 4/2010 Storm
7,694,991 B2 4/2010 Mills et al.
D615,461 S 5/2010 Storm
2001/0013437 A1 8/2001 Husted et al.
2006/0082098 A1 4/2006 Harris

2007/0107963 A1 5/2007 Chiu
2007/0195081 A1 8/2007 Fischer
2008/0087481 A1 4/2008 Gry

OTHER PUBLICATIONS

Invacare Corporation, At'm (Take Along Chair), 2 page brochure, copyright 2009.
Invacare Corporation, FDX Front-Wheel Drive Power Wheelchair, 4 page brochure, copyright 2010.
Invacare Corporation, Nutron R51, 2 page brochure, copyright 2006.
Invacare Corporation, P9000 XDT, 2 page brochure, copyright 2007.
Invacare Corporation, Pronto M51, 4 page brochure, copyright 2010.
Invacare Corporation, Pronto M51 with Formula CG Seating, 2 page web printout, printed Feb. 18, 2011.
Invacare Corporation, The New TDX Family, 26 page brochure, copyright 2008.
Invacare Corporation, Storm Series, 16 page brochure, copyright 2010.
Invacare Corporation, Operator and Maintenance Manual, Pronto M51 and M61 with Sure Step, 80 pgs. Rev J—10/08, copyright 2008.
Invacare Corporation, User Manual, FDX Power Wheelchair Base FDX, FDX-CG, FDX-MCG, 96 pgs., Rev. A—09/10, copyright 2010.
Notice of Allowance from U.S. Appl. No. 29/378,817 dated Feb. 16, 2012.

* cited by examiner

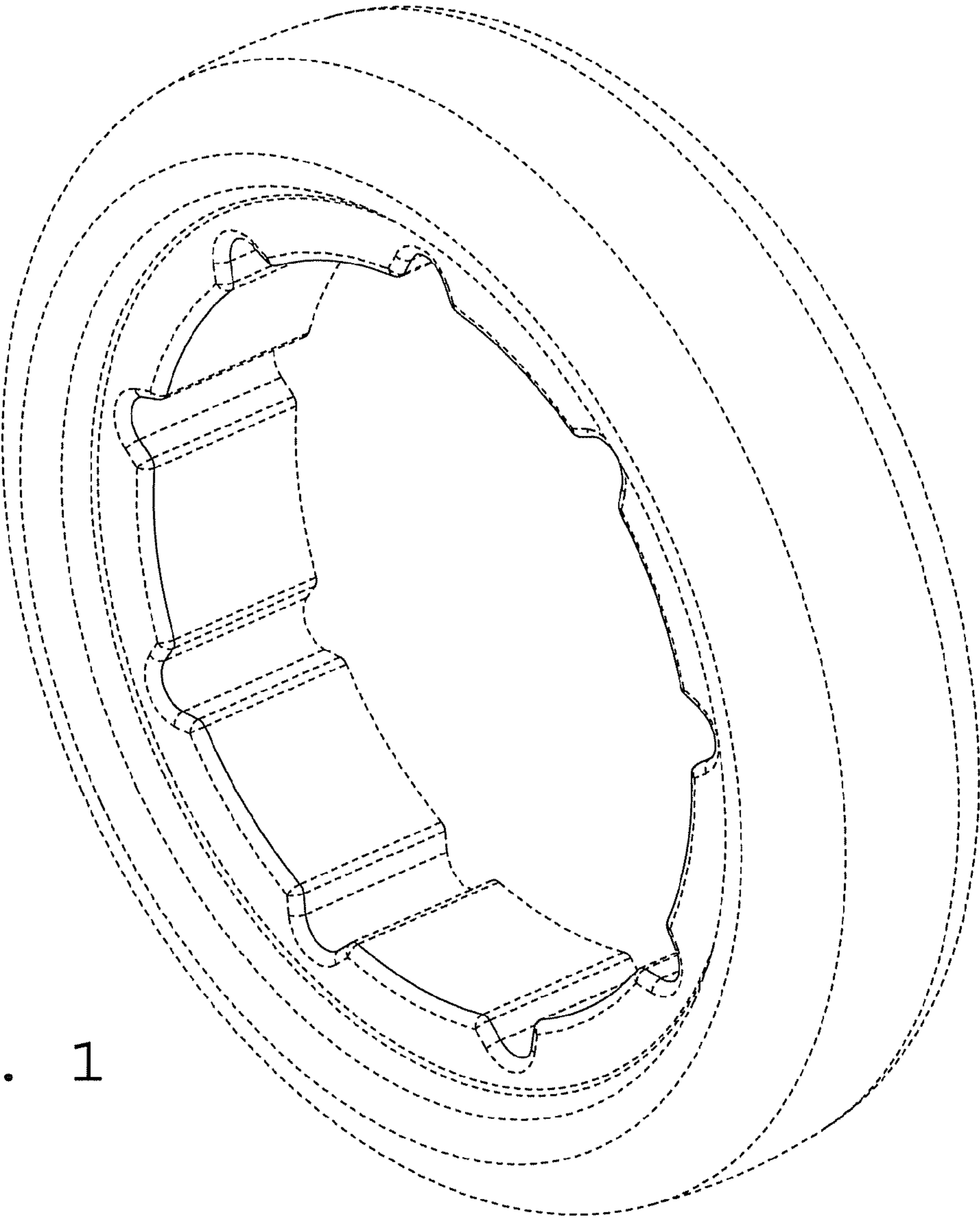


FIG. 1

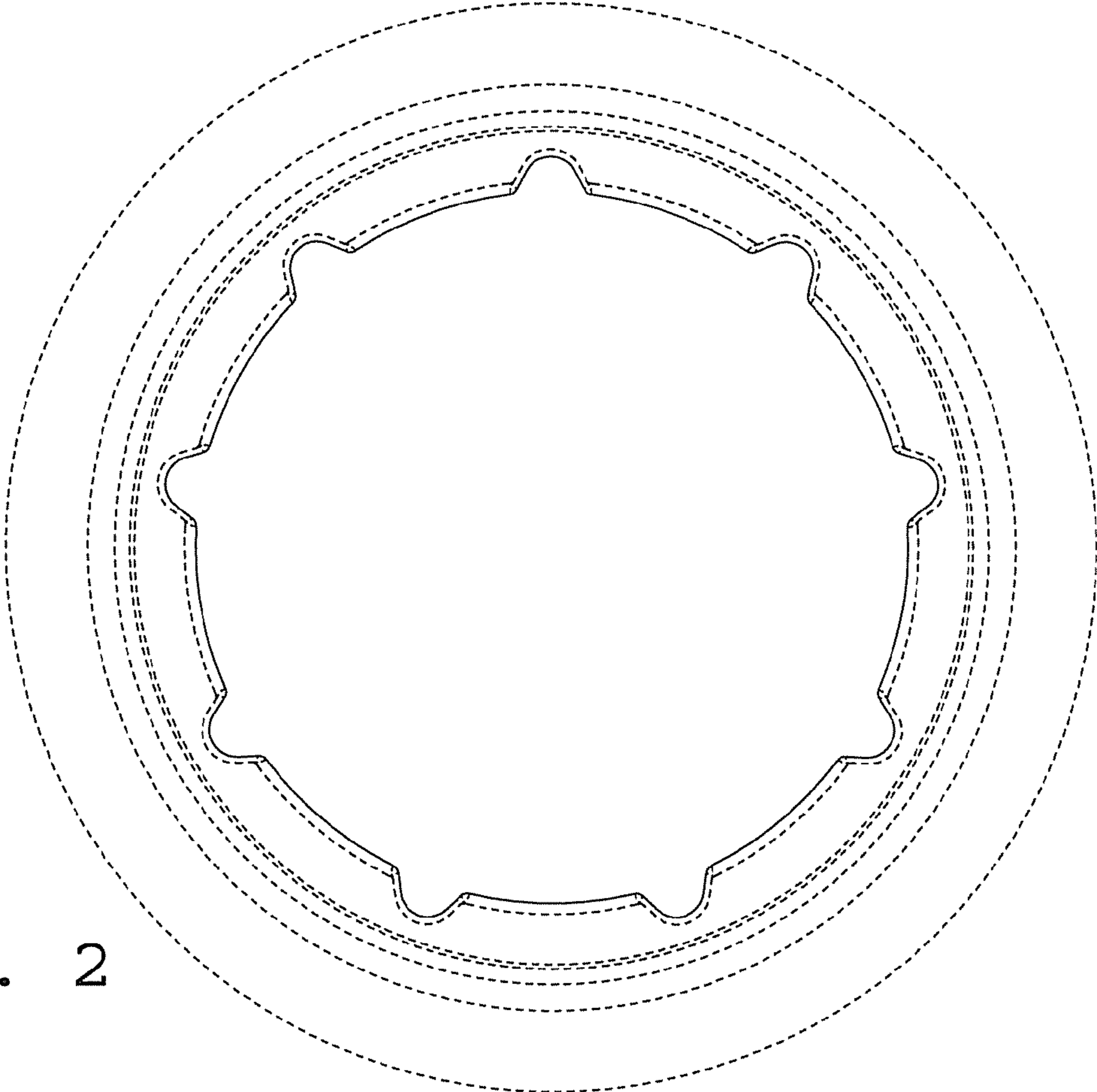


FIG. 2

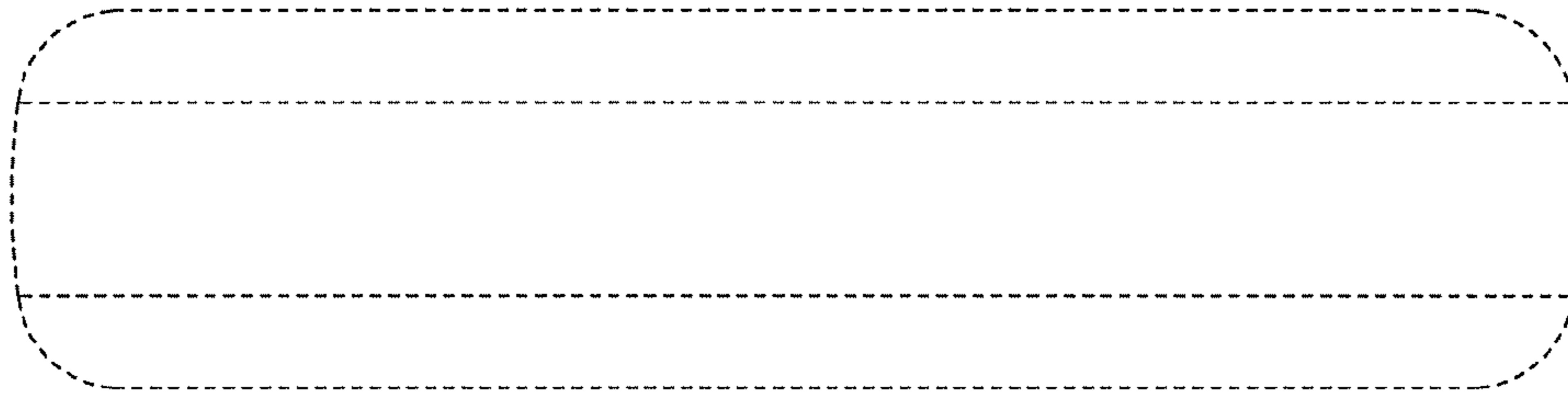


FIG. 4

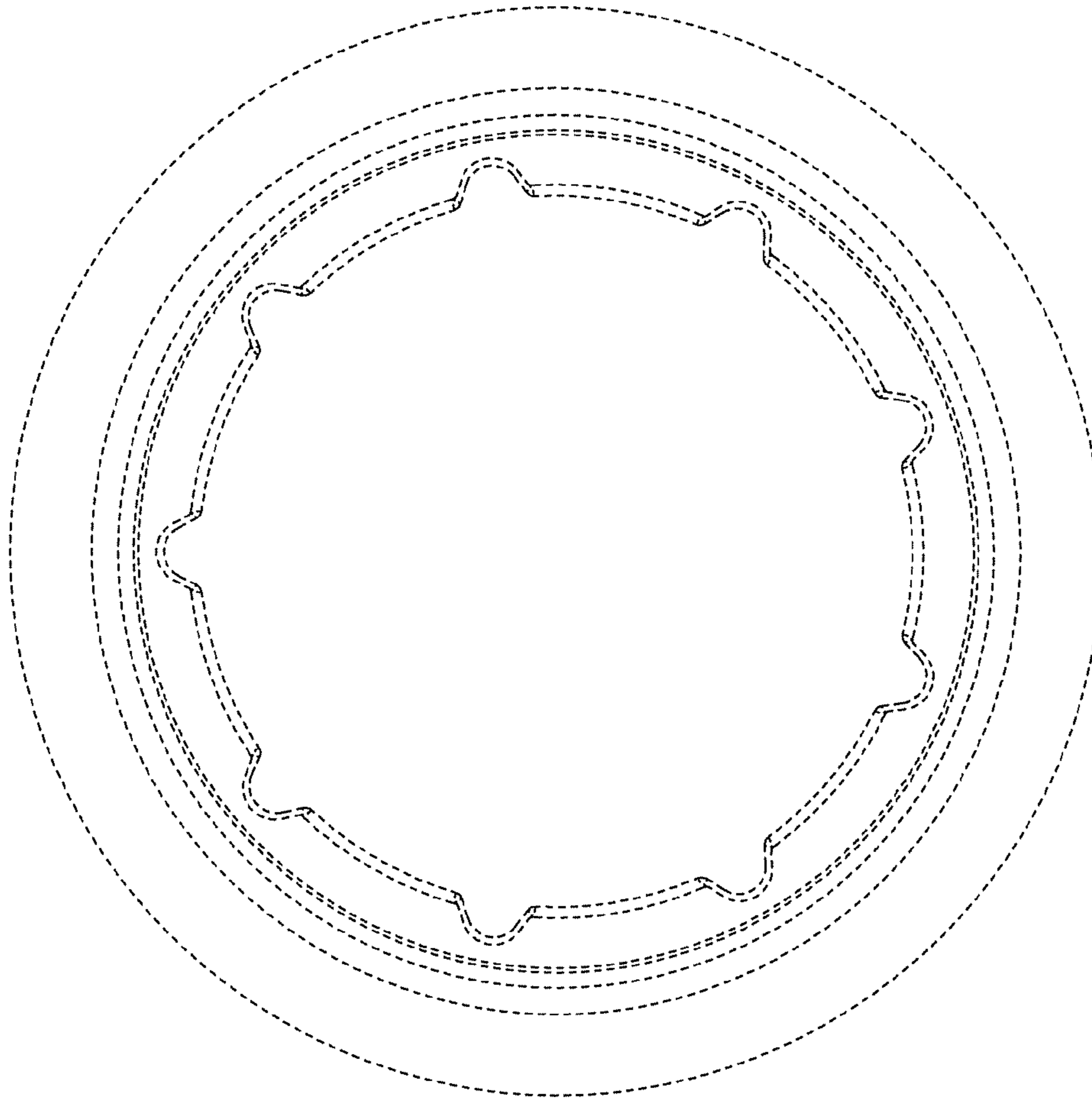


FIG. 3