



US00D667760S

(12) **United States Design Patent**  
**Storm**

(10) **Patent No.:** **US D667,760 S**  
(45) **Date of Patent:** **\*\* Sep. 25, 2012**

(54) **STROLLER FRAME**

(75) Inventor: **Gerjan Storm**, Eindhoven (NL)

(73) Assignee: **Cosco Management, Inc.**, Wilmington, DE (US)

(\*\*) Term: **14 Years**

(21) Appl. No.: **29/389,191**

(22) Filed: **Apr. 7, 2011**

(51) **LOC (9) Cl.** ..... **12-12**

(52) **U.S. Cl.** ..... **D12/129**

(58) **Field of Classification Search** ..... D12/128-133;  
297/DIG. 4; 296/65.03, 64.04; 224/409;  
280/62, 647-650, 29, 200, 47.38, 250.1,  
280/259, 642, 658

See application file for complete search history.

(56) **References Cited**

**U.S. PATENT DOCUMENTS**

D451,434 S *	12/2001	Hsia	.....	D12/129
D469,389 S *	1/2003	Wang	.....	D12/129
D469,722 S *	2/2003	Wang	.....	D12/129
D486,430 S *	2/2004	Chang	.....	D12/129

\* cited by examiner

*Primary Examiner* — Ian Simmons

*Assistant Examiner* — Charles Hanson

(74) *Attorney, Agent, or Firm* — Barnes & Thornburg LLP

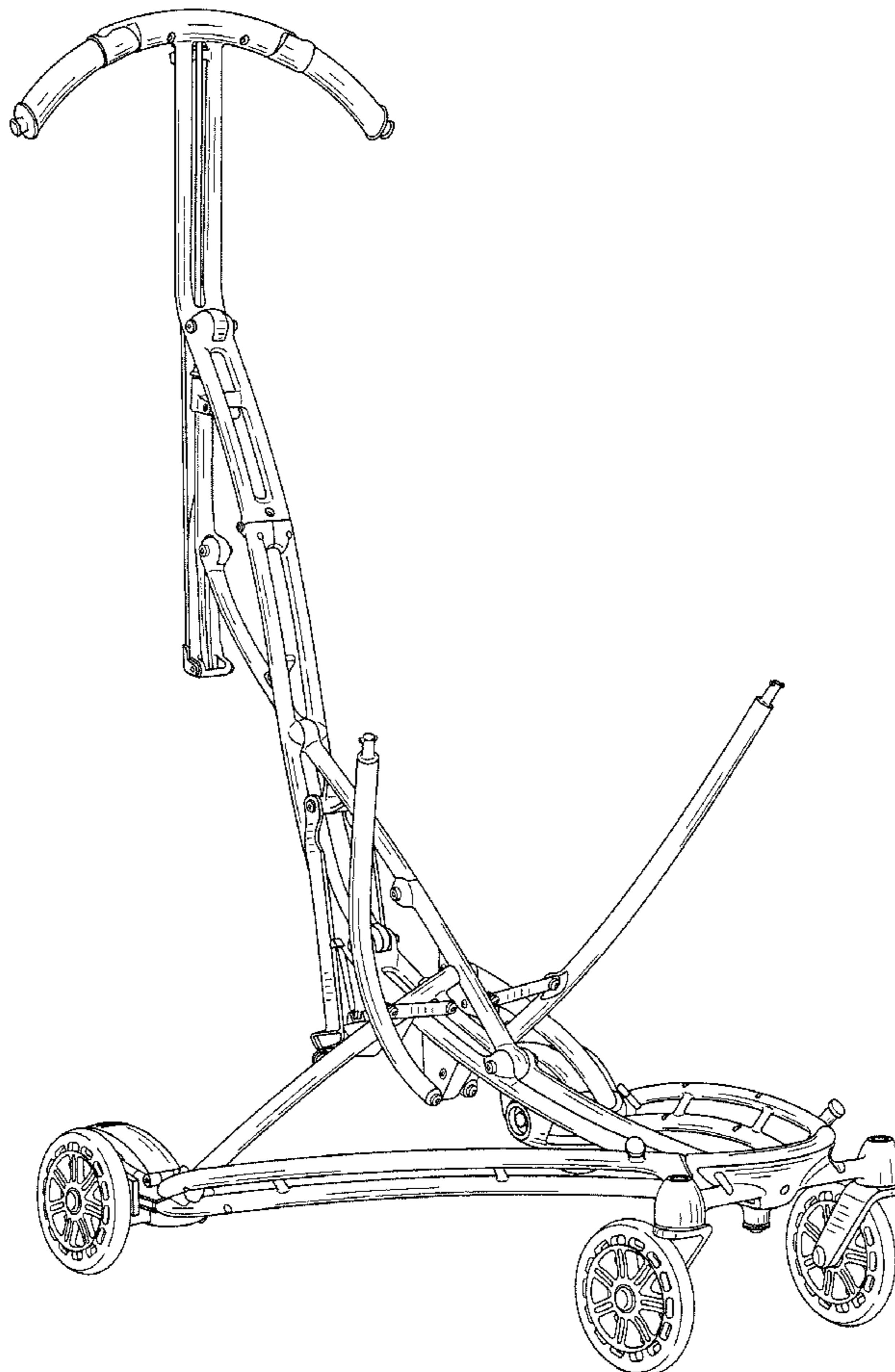
(57) **CLAIM**

The ornamental design for an stroller frame, as shown and described.

**DESCRIPTION**

FIG. 1 is a top view of the stroller frame according to my design;  
FIG. 2 is a right side view thereof;  
FIG. 3 is a perspective view, taken from the rear, right side thereof;  
FIG. 4 is rear view thereof;  
FIG. 5 is a left side view thereof;  
FIG. 6 is a front view thereof;  
FIG. 7 is a perspective view, taken from the front, right side thereof; and,  
FIG. 8 is a bottom view thereof.

**1 Claim, 8 Drawing Sheets**



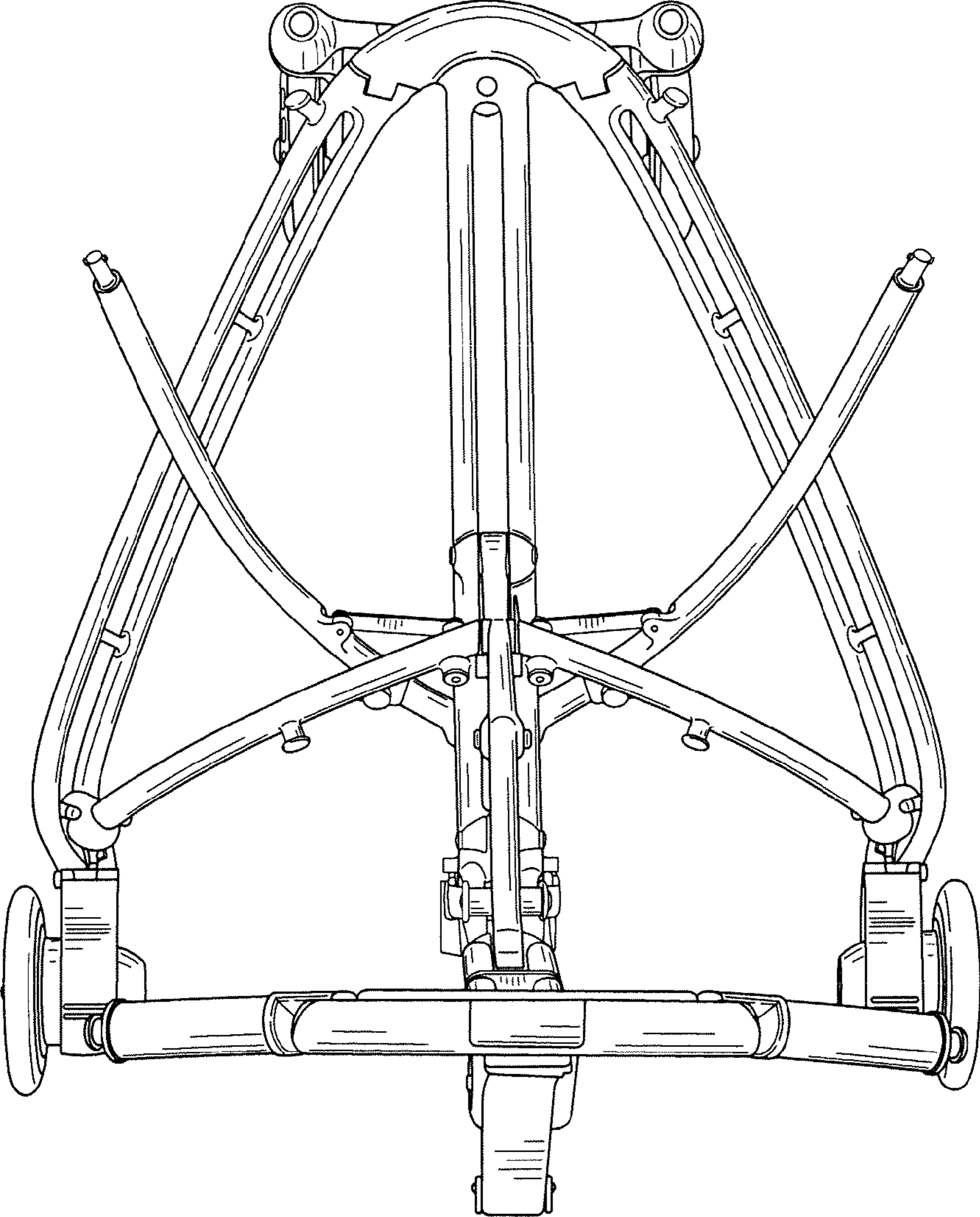


FIG. 1

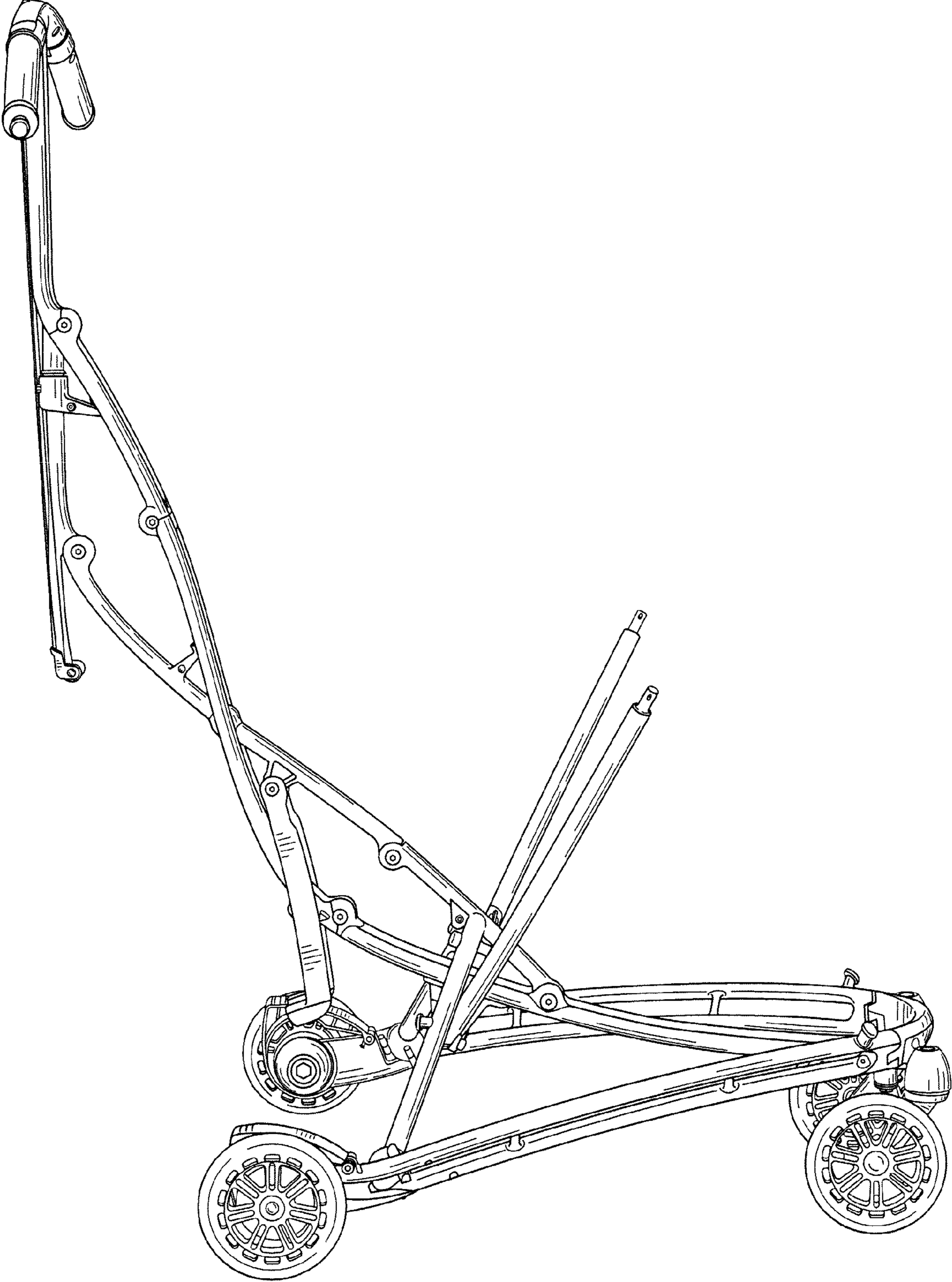


FIG. 2

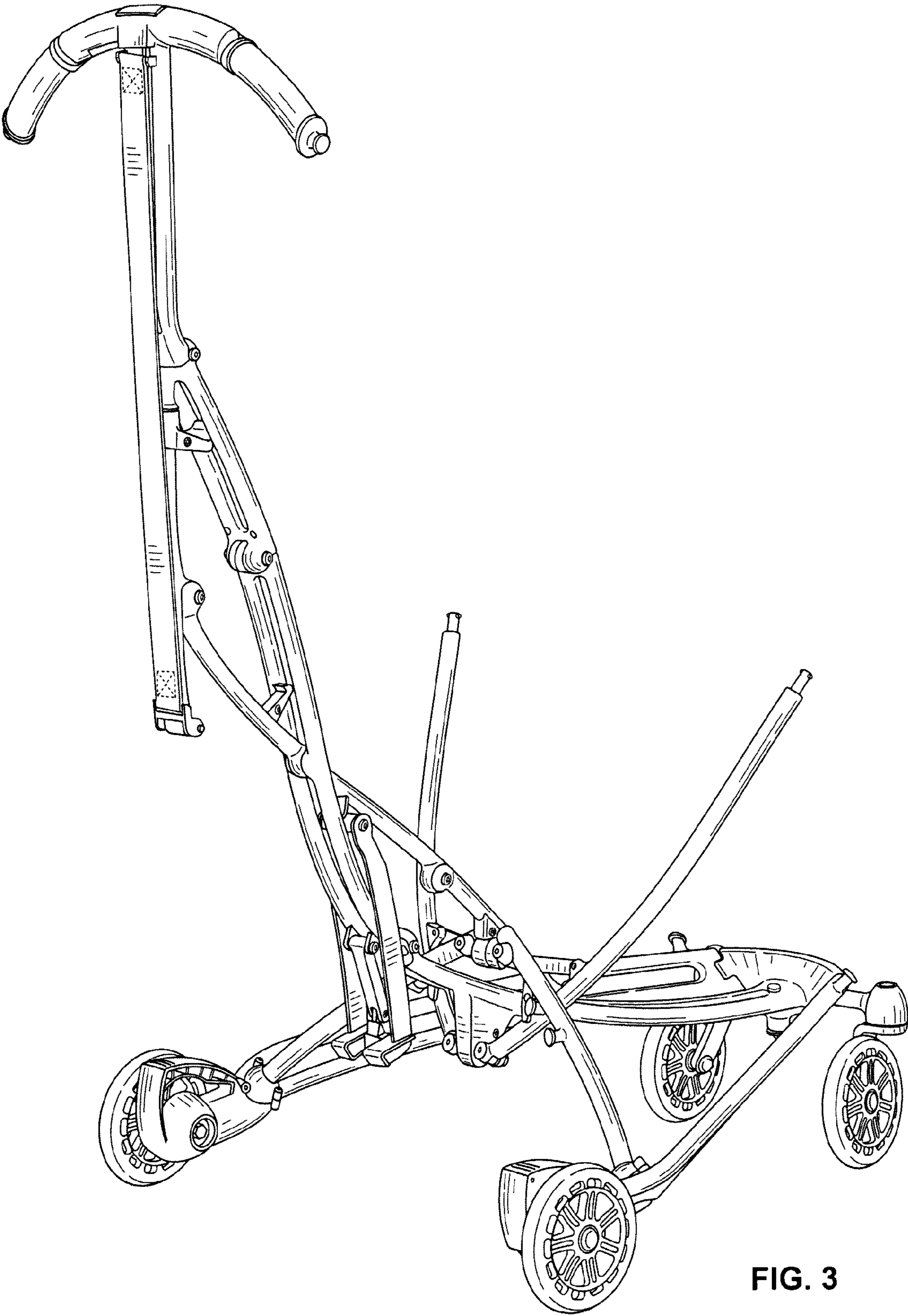


FIG. 3

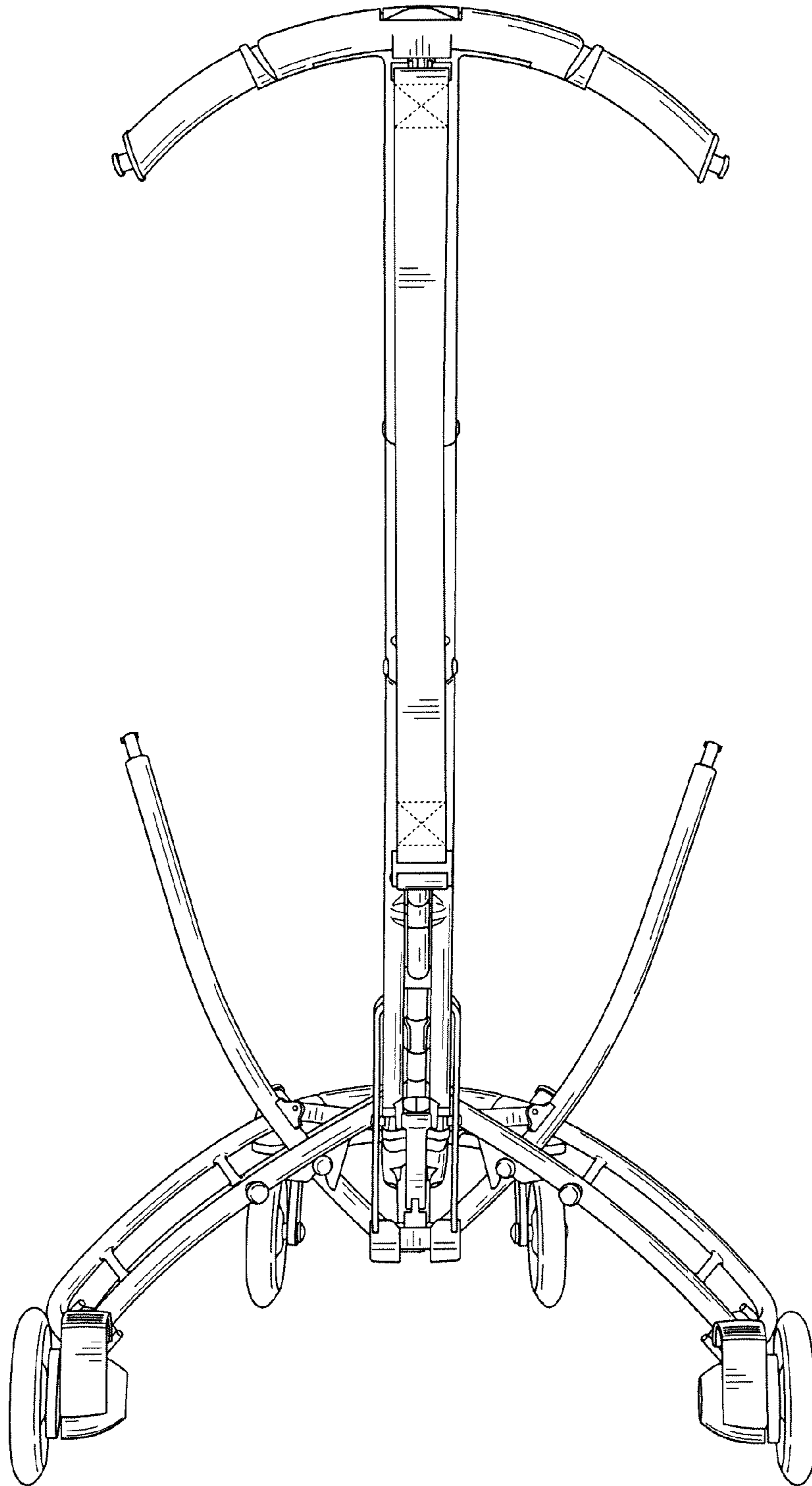


FIG. 4

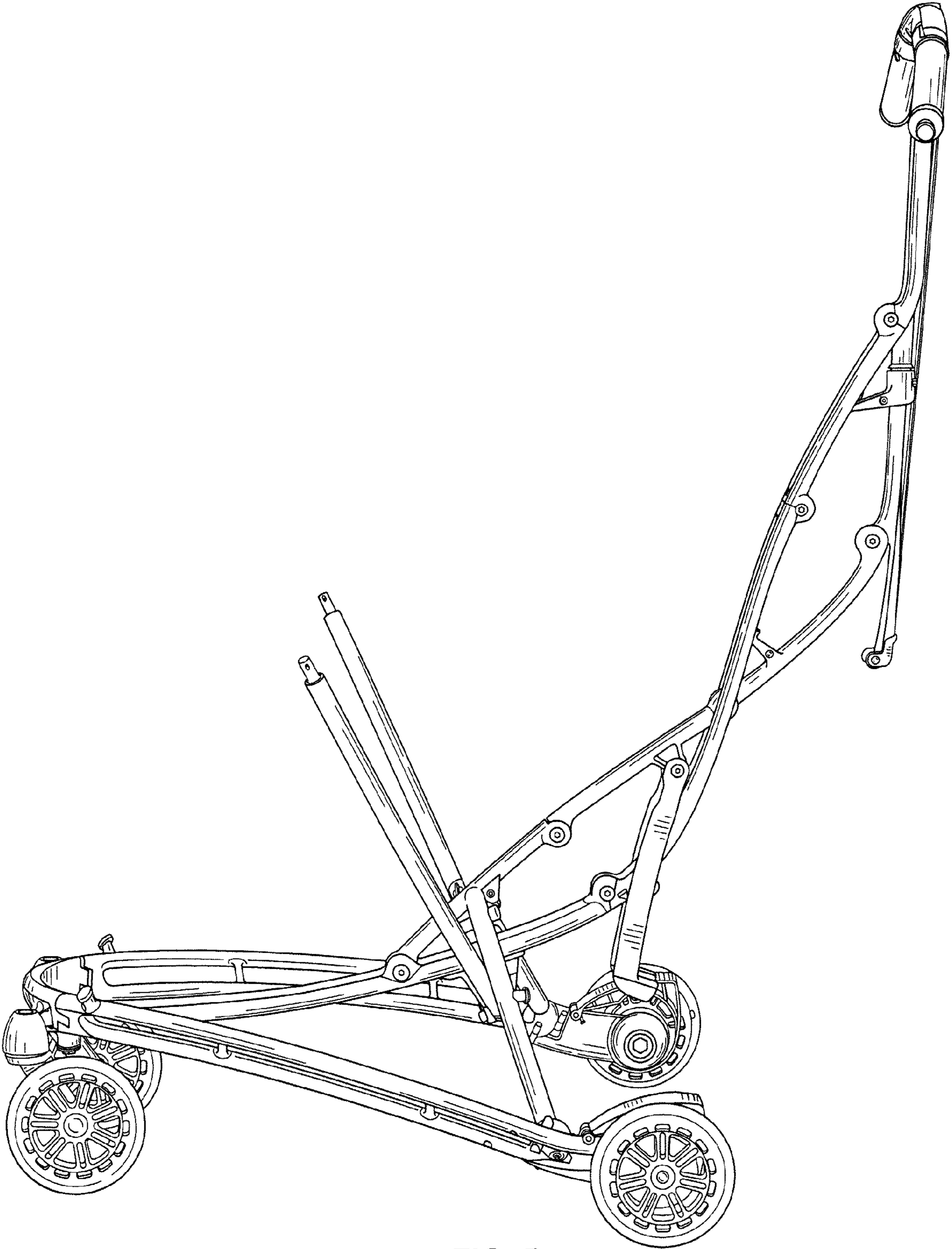


FIG. 5

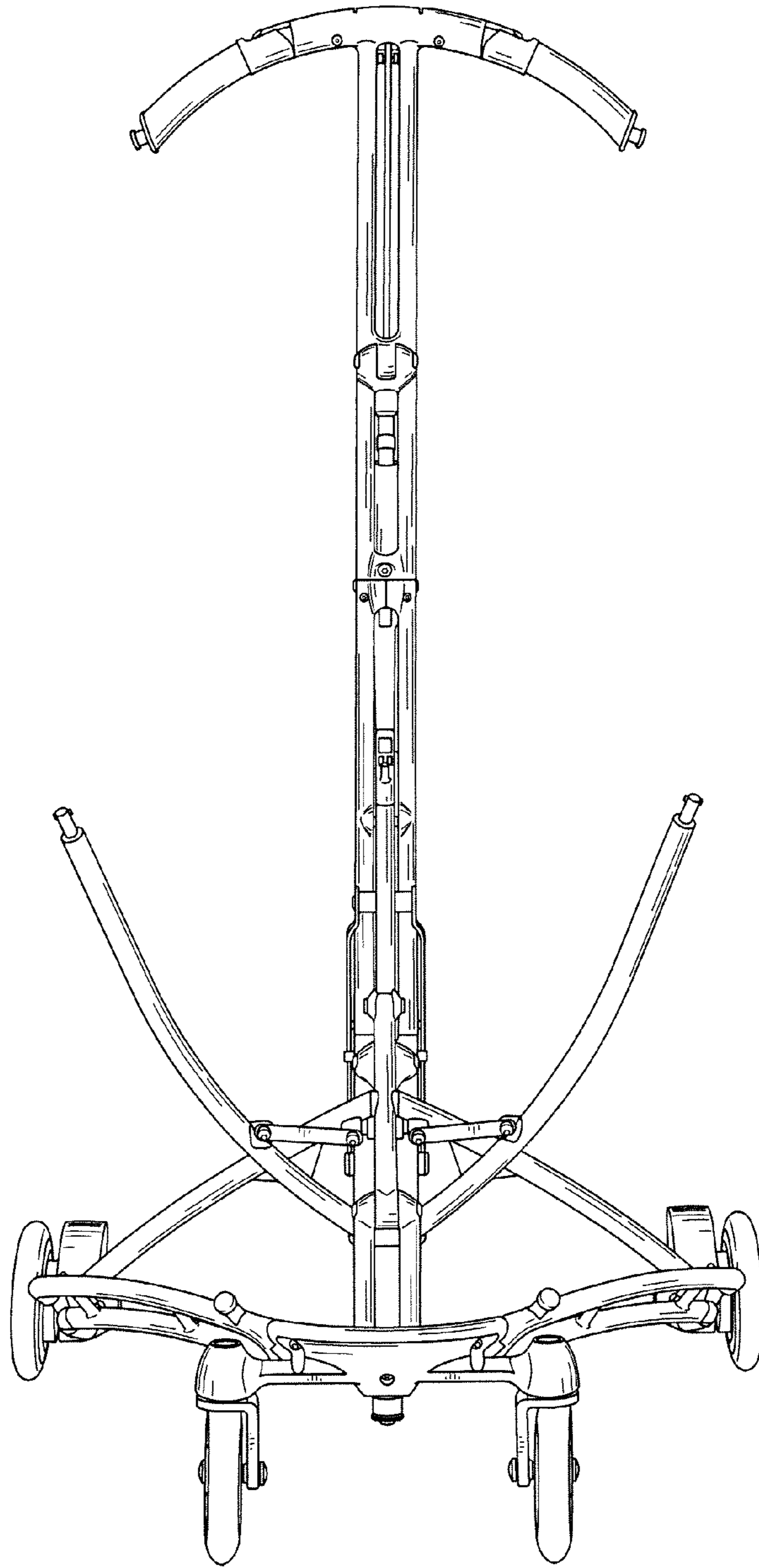


FIG. 6

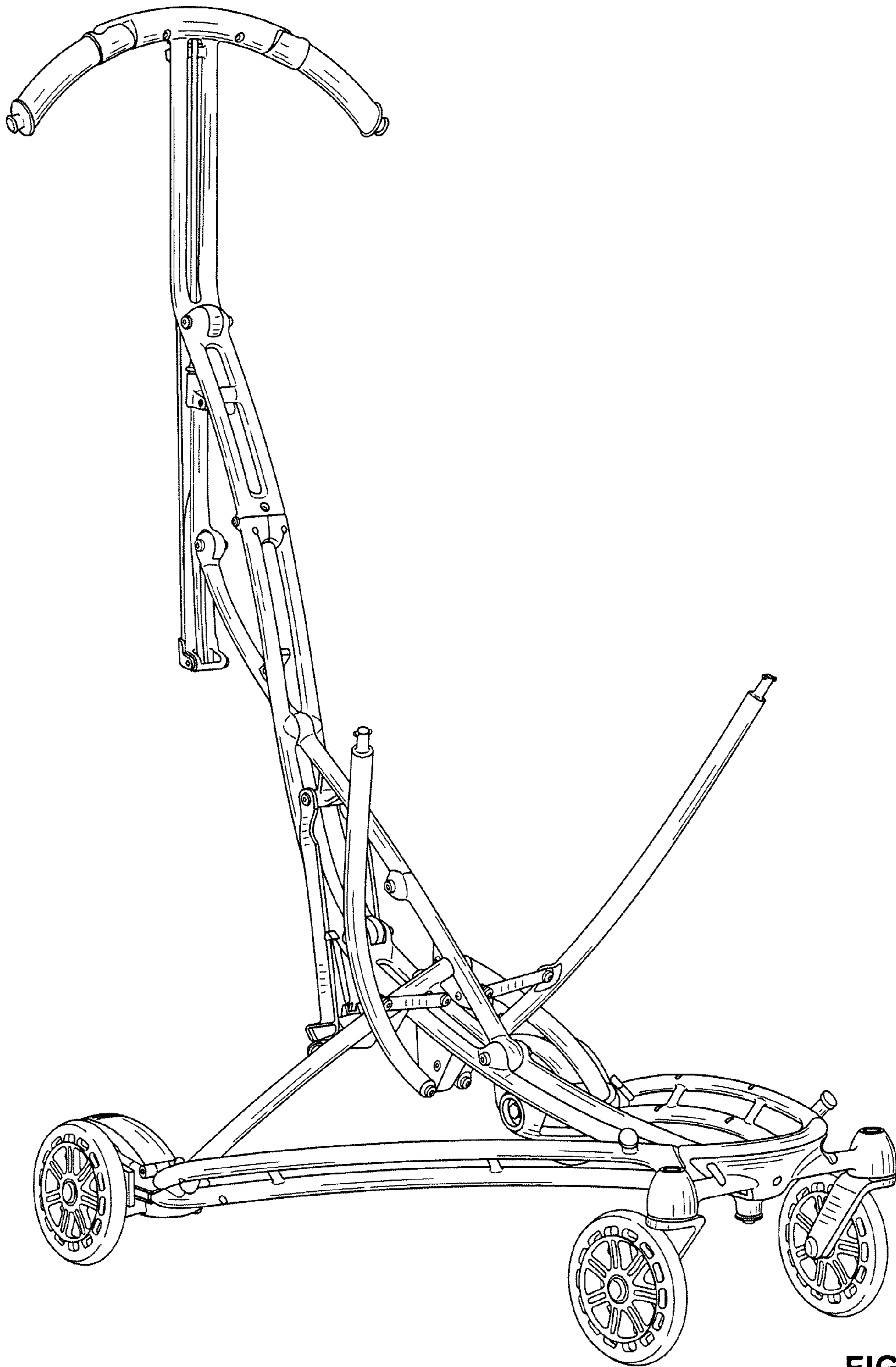


FIG. 7



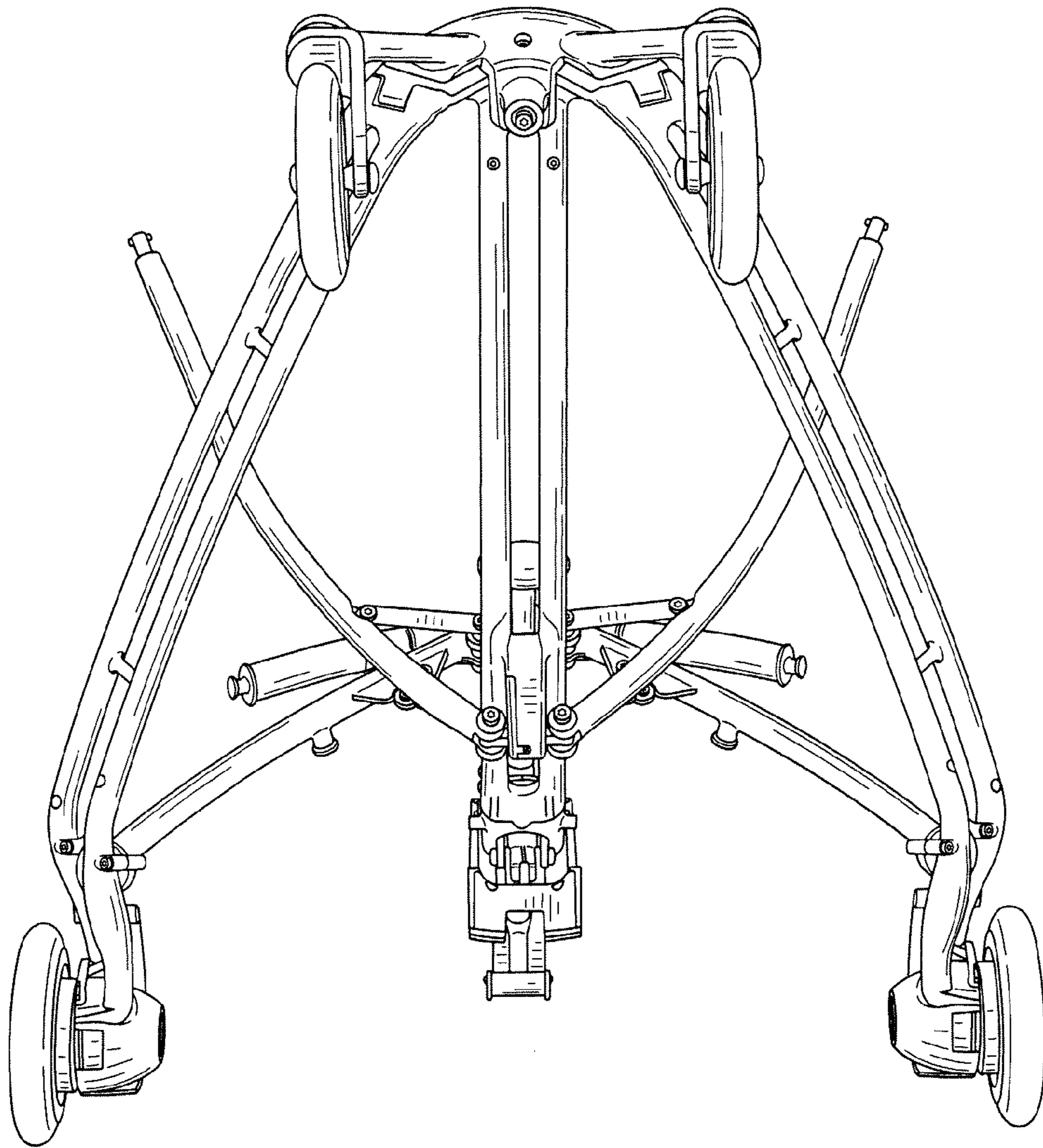


FIG. 8