

US00D667759S

(12) **United States Design Patent**  
**Kettavong**

(10) **Patent No.:** **US D667,759 S**

(45) **Date of Patent:** **\*\* Sep. 25, 2012**

(54) **STROLLER**

(76) Inventor: **Singhan Kettavong**, Kailua, HI (US)

(\*\*) Term: **14 Years**

(21) Appl. No.: **29/374,599**

(22) Filed: **Sep. 6, 2011**

(51) **LOC (9) Cl.** ..... **12-12**

(52) **U.S. Cl.** ..... **D12/129; D21/430**

(58) **Field of Classification Search** ..... D12/128-133;  
280/62, 647-650, 29, 200, 47.38, 250.1,  
280/259, 642, 658, 304.1; 128/99.1, 100.1;  
D21/430

See application file for complete search history.

(56) **References Cited**

**U.S. PATENT DOCUMENTS**

D148,800 S *	2/1948	Laughead	.....	D19/63
D152,632 S *	2/1949	Masten	.....	D21/430
D178,908 S *	10/1956	Vasaly	.....	D12/129
D179,043 S *	10/1956	Vasaly	.....	D12/129
D235,904 S *	7/1975	Onley	.....	D21/430
D343,424 S *	1/1994	Lamb et al.	.....	D21/426

\* cited by examiner

*Primary Examiner* — Ian Simmons

*Assistant Examiner* — Charles Hanson

(74) *Attorney, Agent, or Firm* — Martin E. Hsia

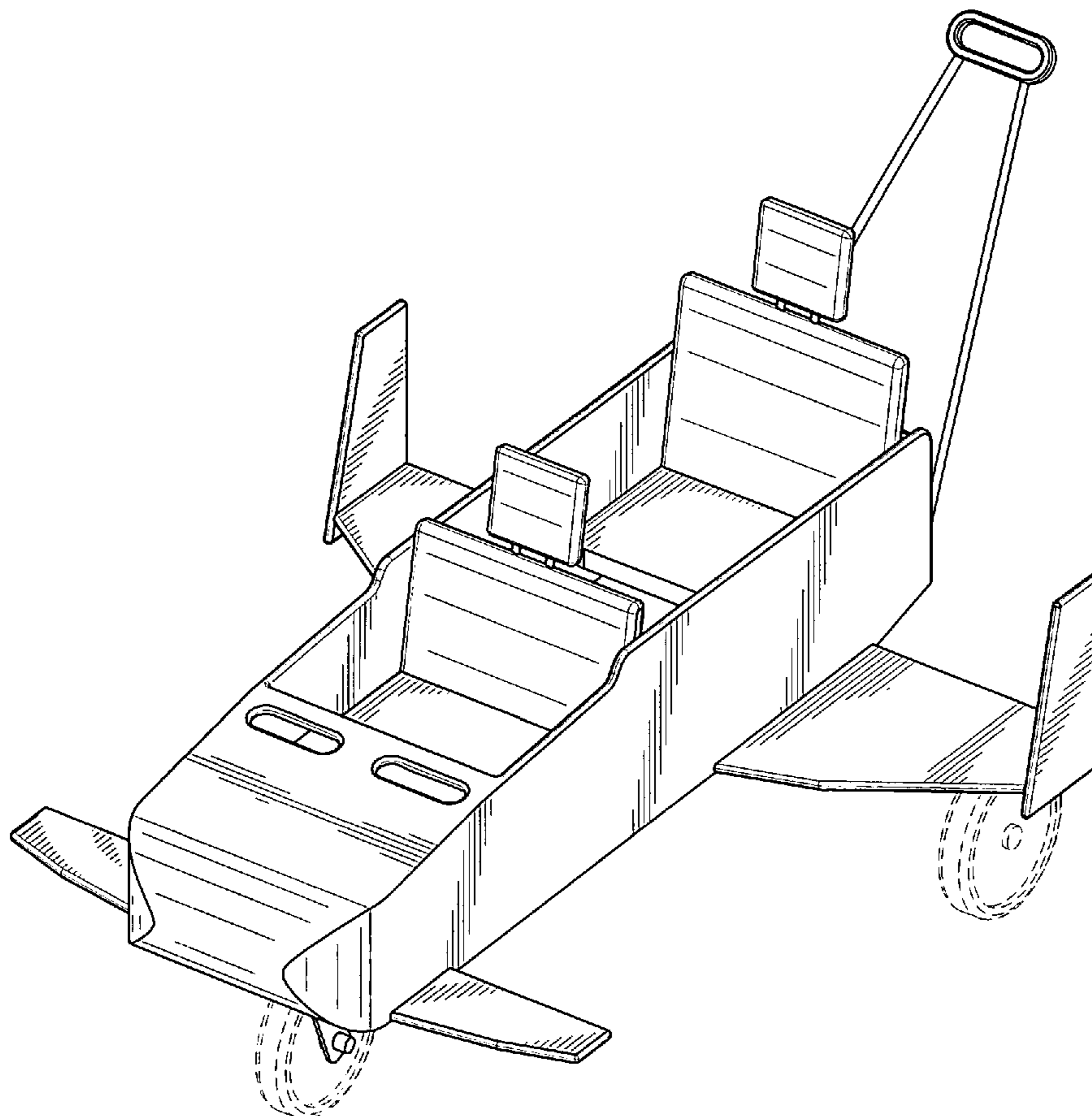
(57) **CLAIM**

The ornamental design for a stroller, as shown and described.

**DESCRIPTION**

FIG. 1 is a perspective view from the front, left, top of the stroller of my new design;  
FIG. 2 is a front elevational view thereof;  
FIG. 3 is a rear elevational view thereof;  
FIG. 4 is a top plan view thereof;  
FIG. 5 is a bottom plan view thereof; and,  
FIG. 6 is a side elevational view thereof from the left, the side elevational view from the right being a mirror image thereof.  
The broken lines in the figures show environmental structure and form no part of the claimed design thereof.

**1 Claim, 6 Drawing Sheets**



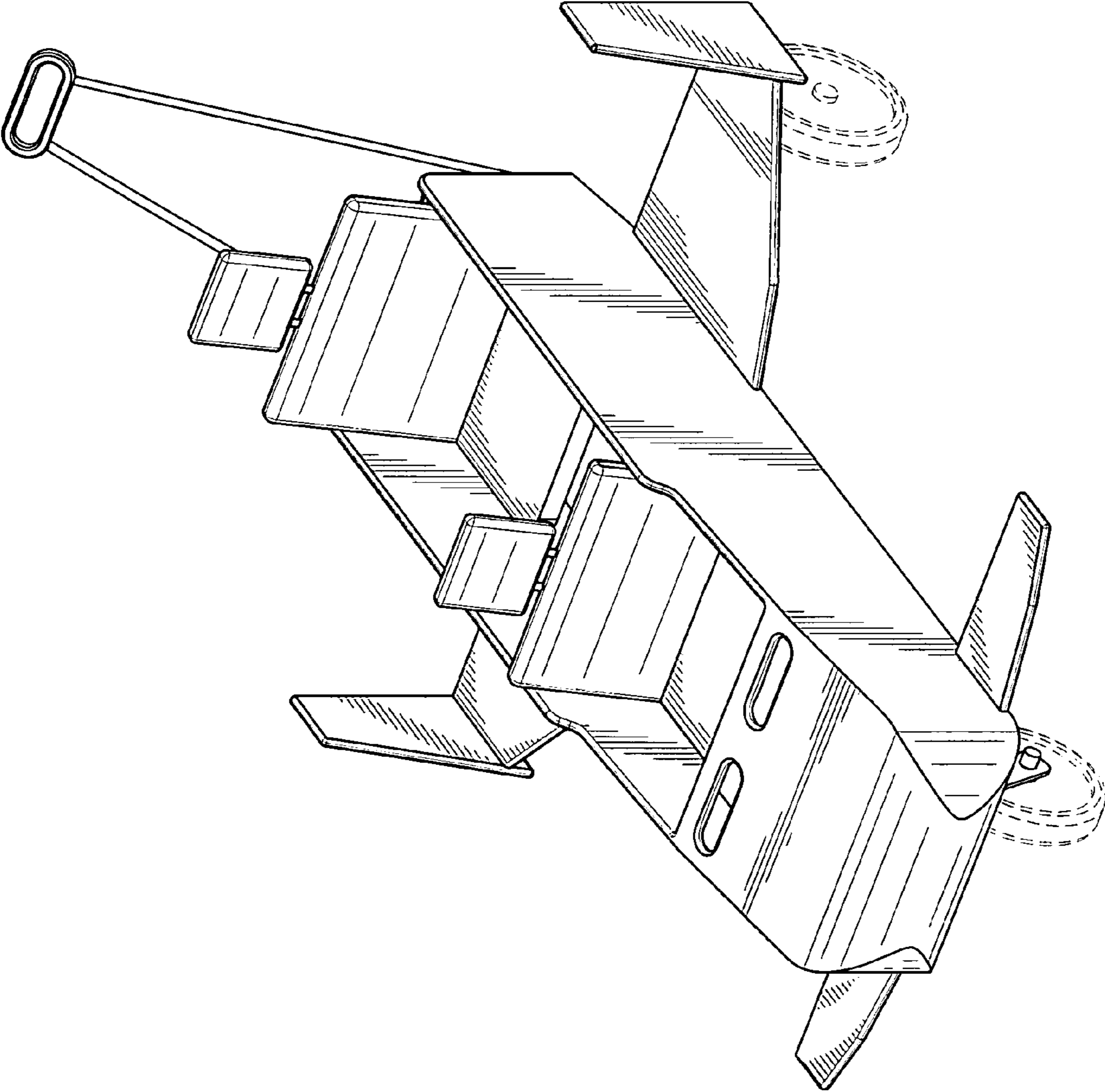


FIG. 1

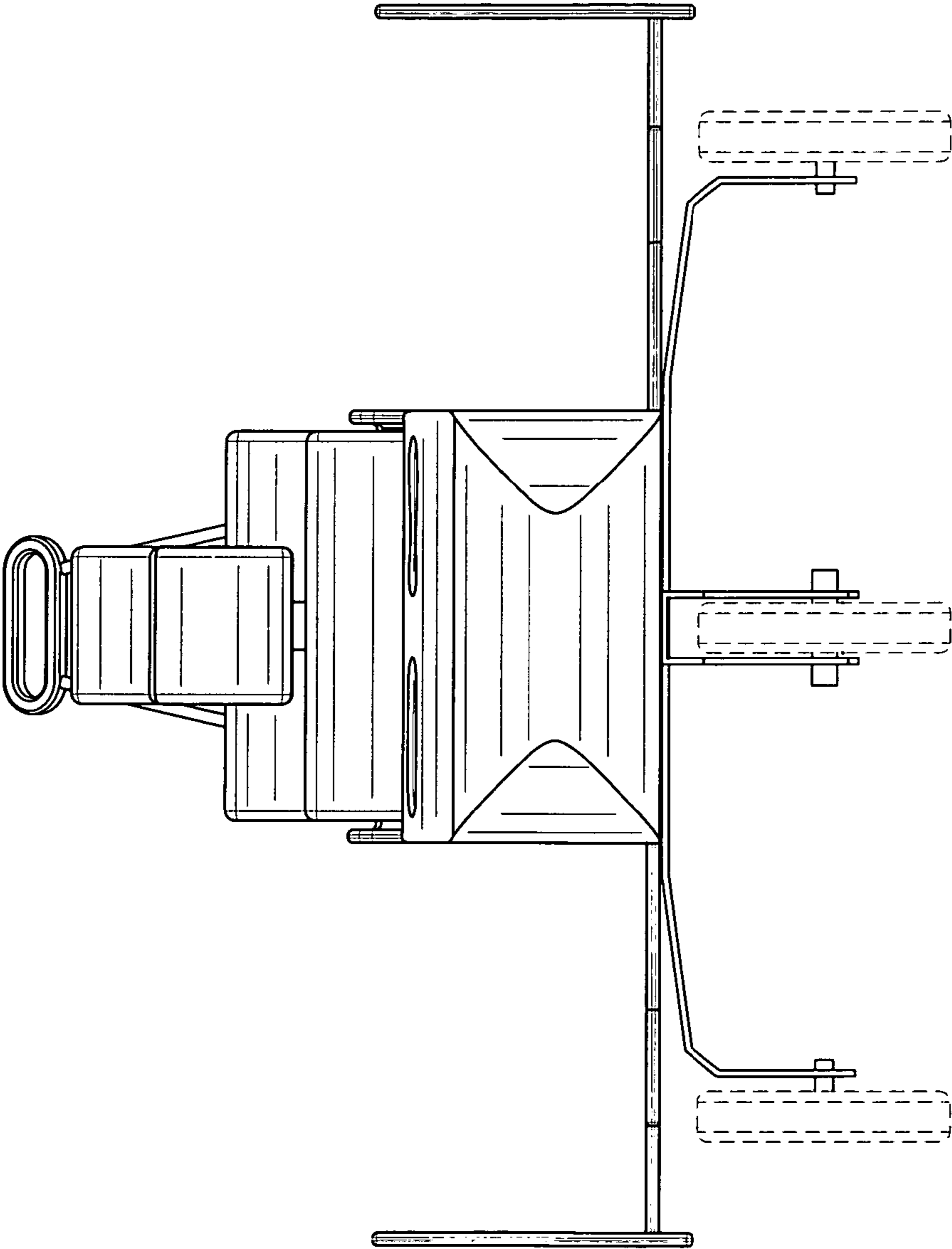


FIG. 2

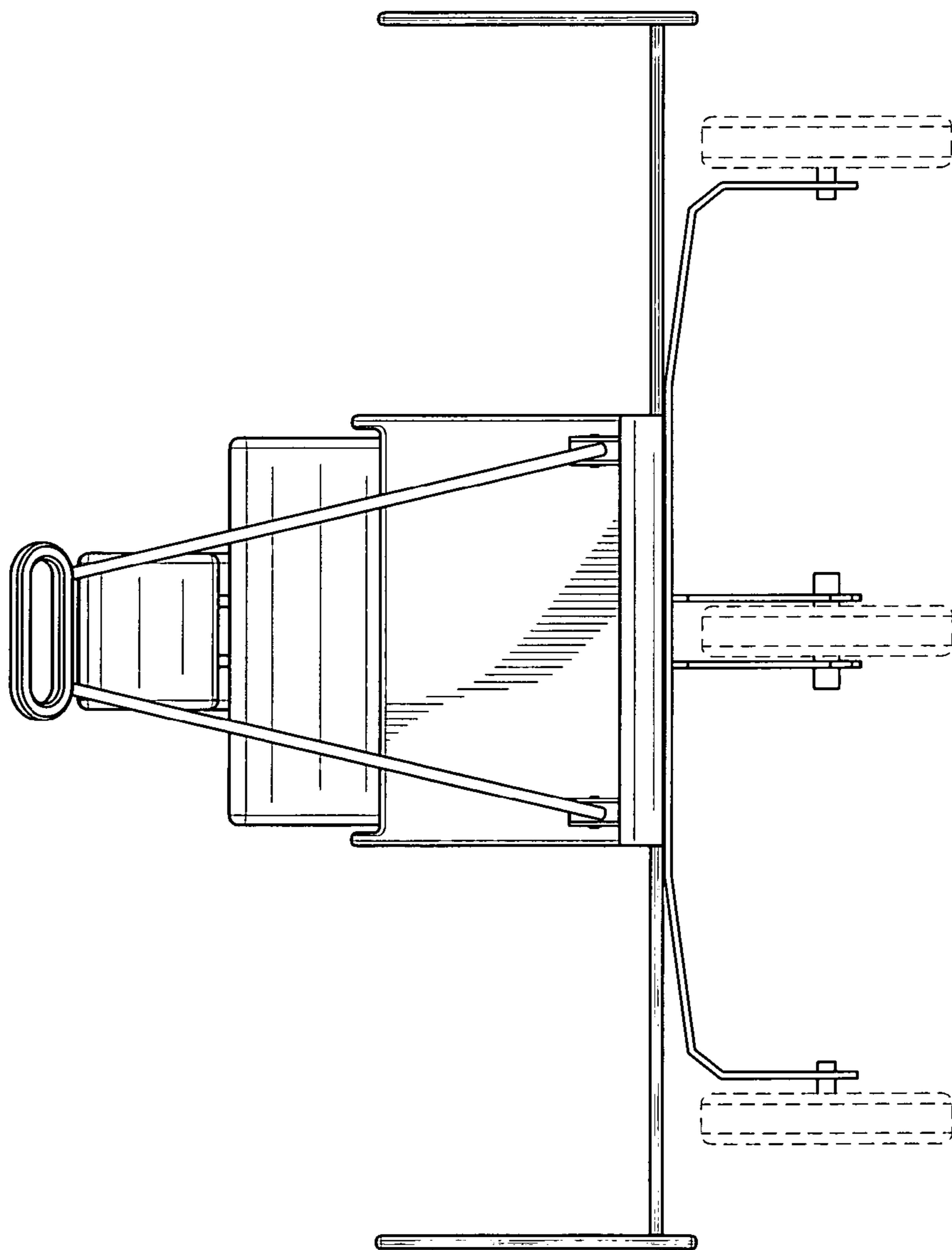


FIG. 3

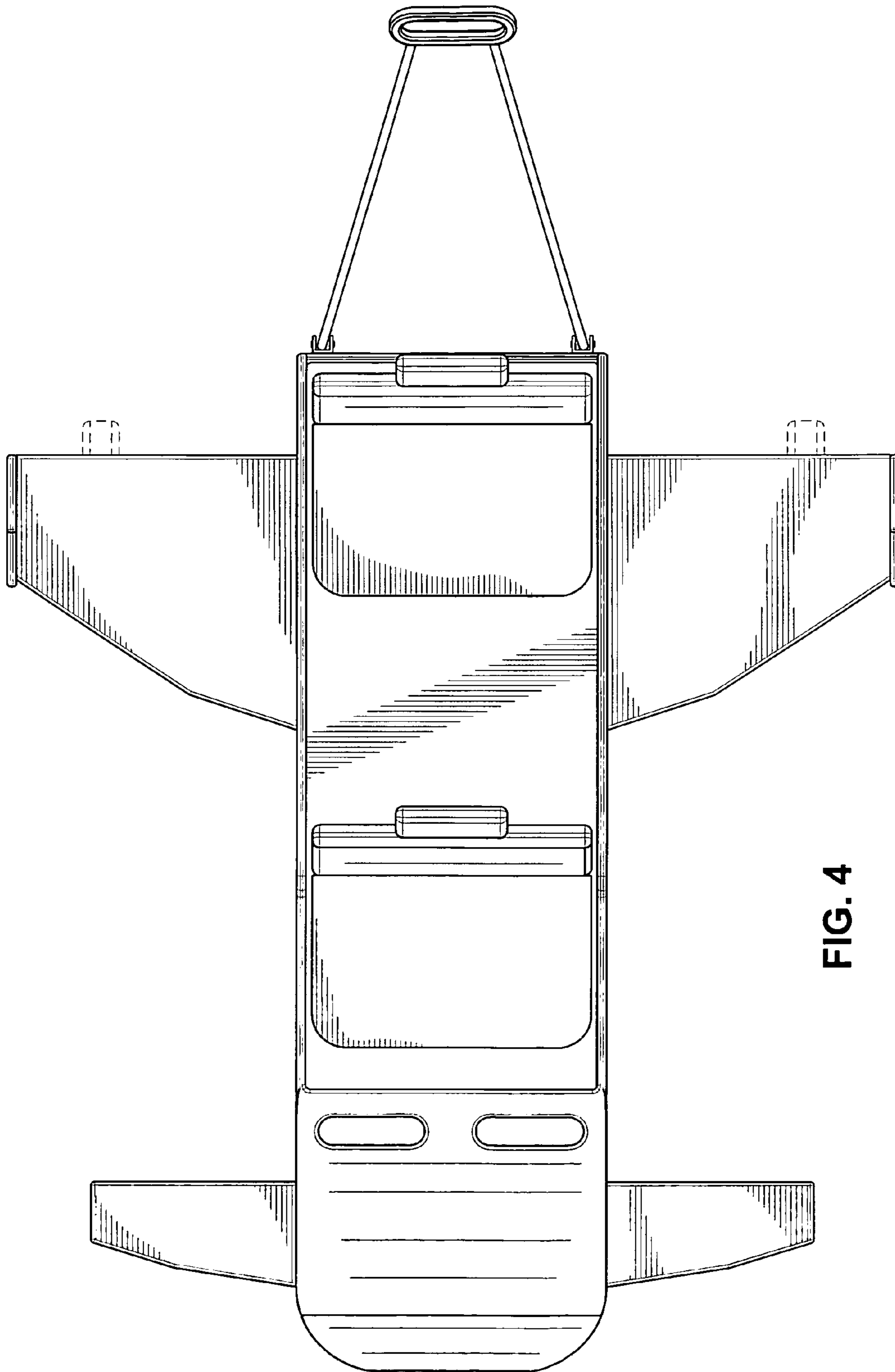


FIG. 4

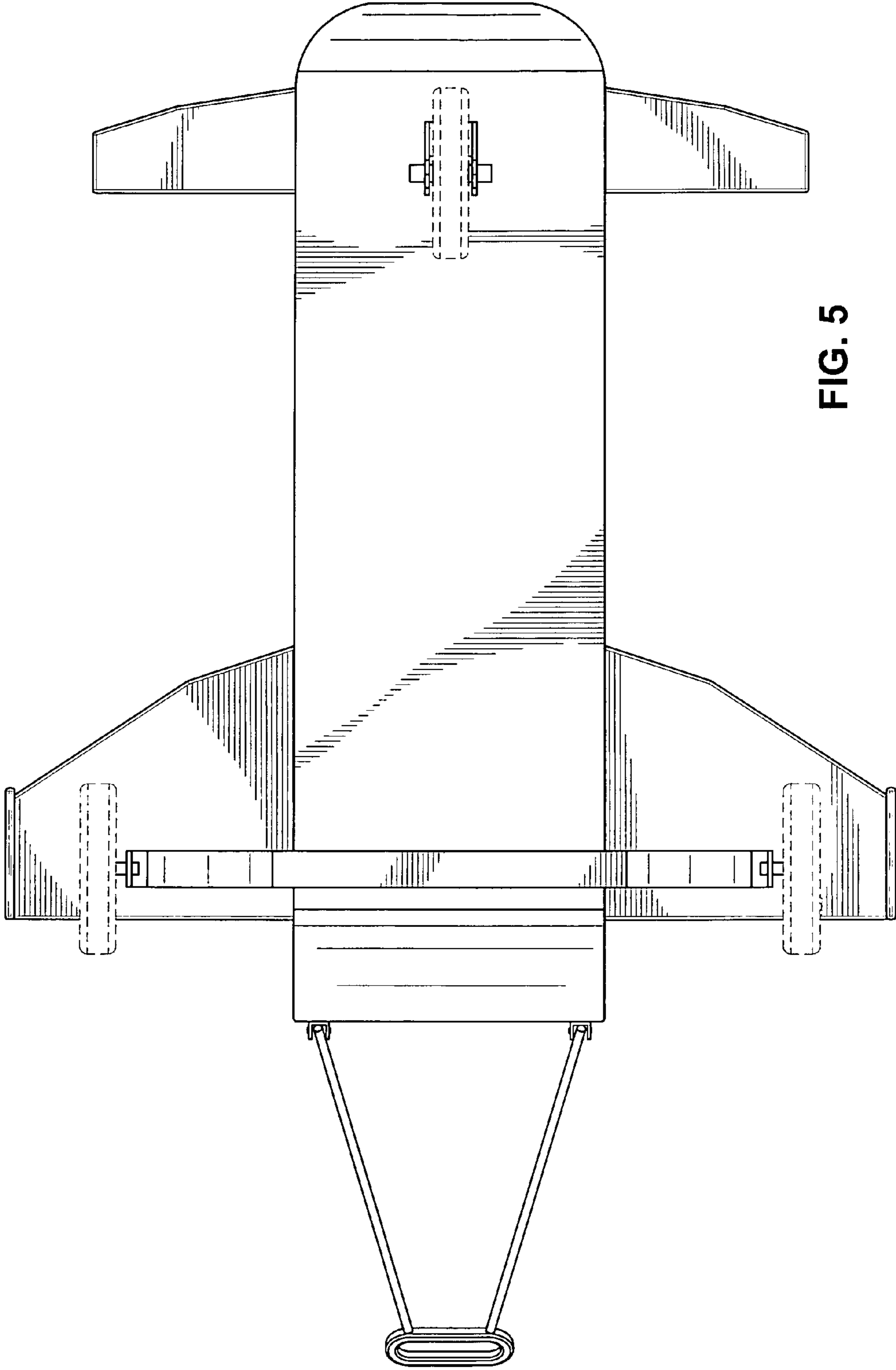


FIG. 5

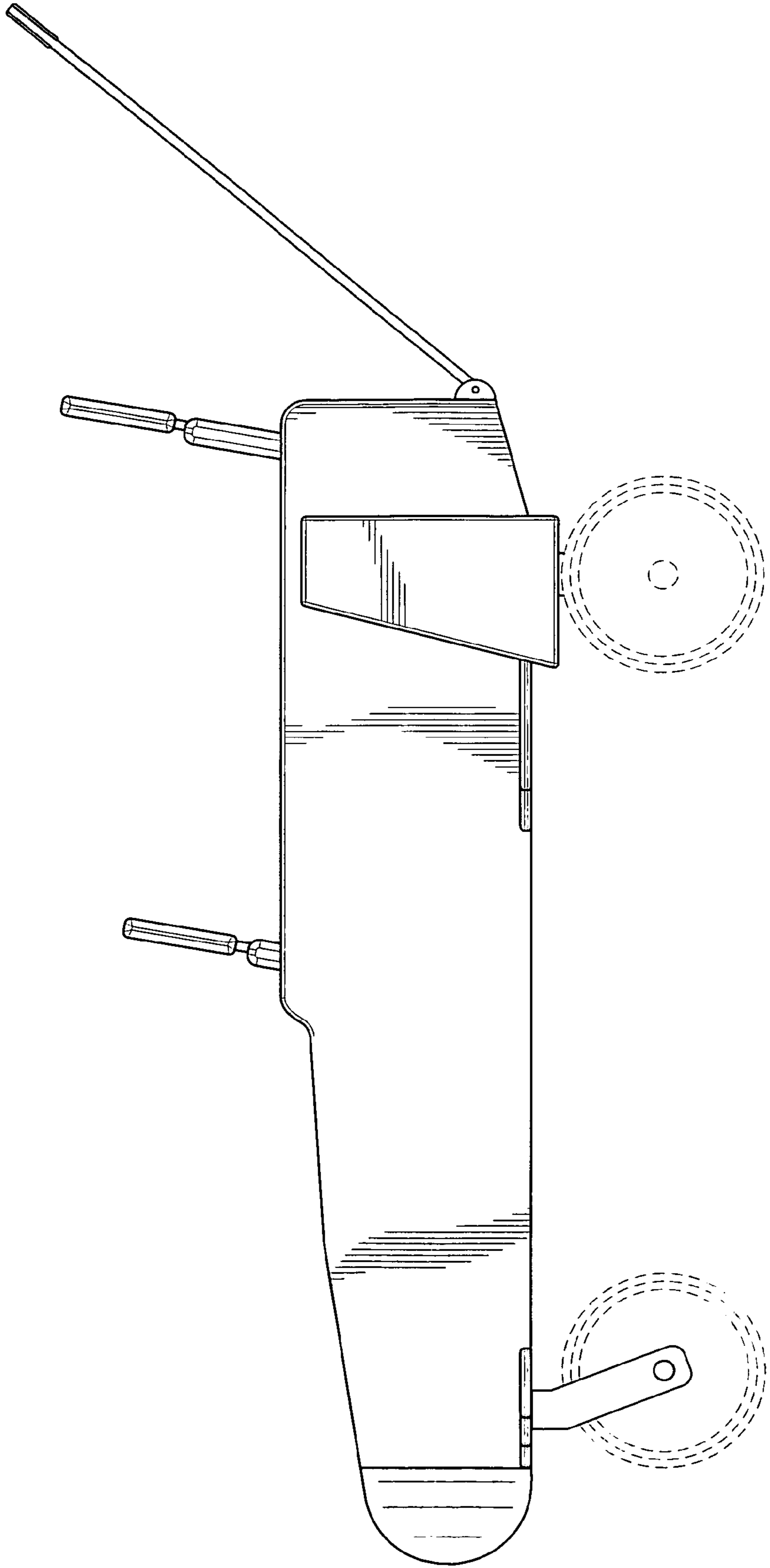


FIG. 6