

US00D667757S

(12) **United States Design Patent**
Cooper

(10) **Patent No.:** **US D667,757 S**

(45) **Date of Patent:** **** Sep. 25, 2012**

(54) **GAME TRAILER**

(76) Inventor: **Harold Cooper**, Decatur, GA (US)

(**) Term: **14 Years**

(21) Appl. No.: **29/370,488**

(22) Filed: **Jul. 26, 2010**

(51) **LOC (9) Cl.** **12-10**

(52) **U.S. Cl.** **D12/101**

(58) **Field of Classification Search** D12/19,
D12/129, 100-106, 111-112; D21/425,
D21/435; D34/21-26, 12, 16-19; 280/204,
280/205, 63, 475, 482, 647; 296/168, 180,
296/180.2, 61, 10, 100.01-100.08

See application file for complete search history.

(56) **References Cited**

U.S. PATENT DOCUMENTS

1,460,266	A *	6/1923	Monroe	414/457
4,789,180	A *	12/1988	Bell	280/652
5,330,217	A *	7/1994	McCarthy	280/204
5,645,292	A	7/1997	McWilliams		
5,887,879	A *	3/1999	Chumley	280/40
5,911,556	A	6/1999	Caldwell		
6,308,968	B1	10/2001	Hollingsworth		
6,460,653	B1	10/2002	Hardy et al.		
7,229,090	B2	6/2007	Cumbie		
7,891,697	B1 *	2/2011	Fahrbach	280/656
7,967,325	B1 *	6/2011	Burton et al.	280/656
D644,396	S *	8/2011	Dechant et al.	D34/26

D644,397	S *	8/2011	Wood et al.	D34/26
D644,398	S *	8/2011	Wood et al.	D34/26
D644,399	S *	8/2011	Dechant et al.	D34/26
D644,400	S *	8/2011	Wood et al.	D34/26
D644,401	S *	8/2011	Dechant et al.	D34/26
8,141,887	B1 *	3/2012	Potat	280/47.24

* cited by examiner

Primary Examiner — Caron D Veynar

Assistant Examiner — Katrina A Betton

(74) *Attorney, Agent, or Firm* — Paul R. Martin

(57) **CLAIM**

The ornamental design for a game trailer, as shown and described.

DESCRIPTION

FIG. 1 is a perspective view from above of my new design for a game trailer.

FIG. 2 is an elevational view of one side of the game trailer shown in FIG. 1. An elevational view of the opposite side would be a mirror image thereof.

FIG. 3 is a top plan view of the game trailer shown in FIG. 1.

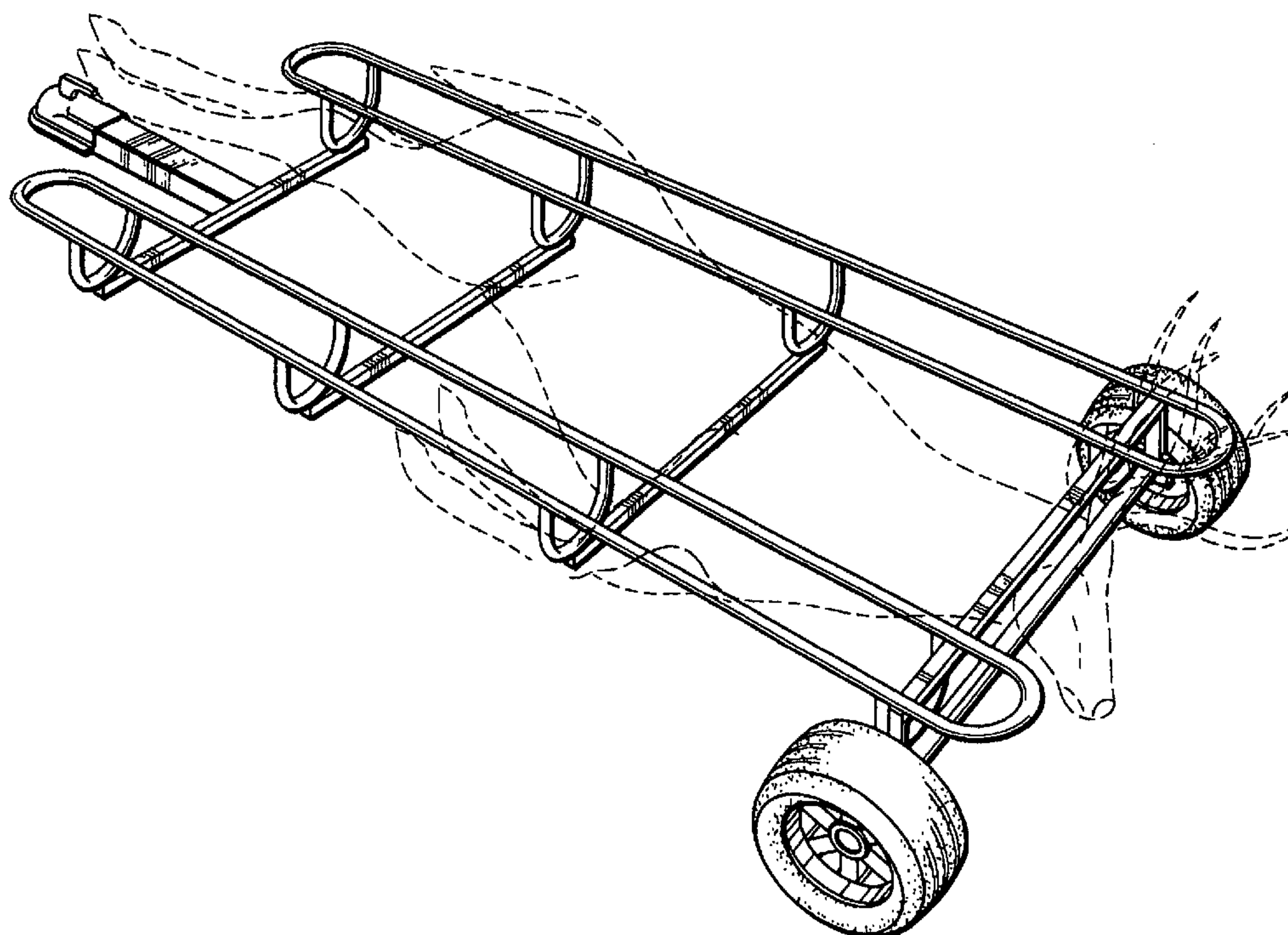
FIG. 4 is a elevational view of the front of the game trailer shown in FIG. 1.

FIG. 5. is an elevational view from the back of the game trailer shown in FIG. 1; and,

FIG. 6 is a bottom plan view of the game trailer shown in FIG. 1.

The dotted line outline of the deer shown in FIG. 1 is an environmental element and forms no part of the invention.

1 Claim, 3 Drawing Sheets



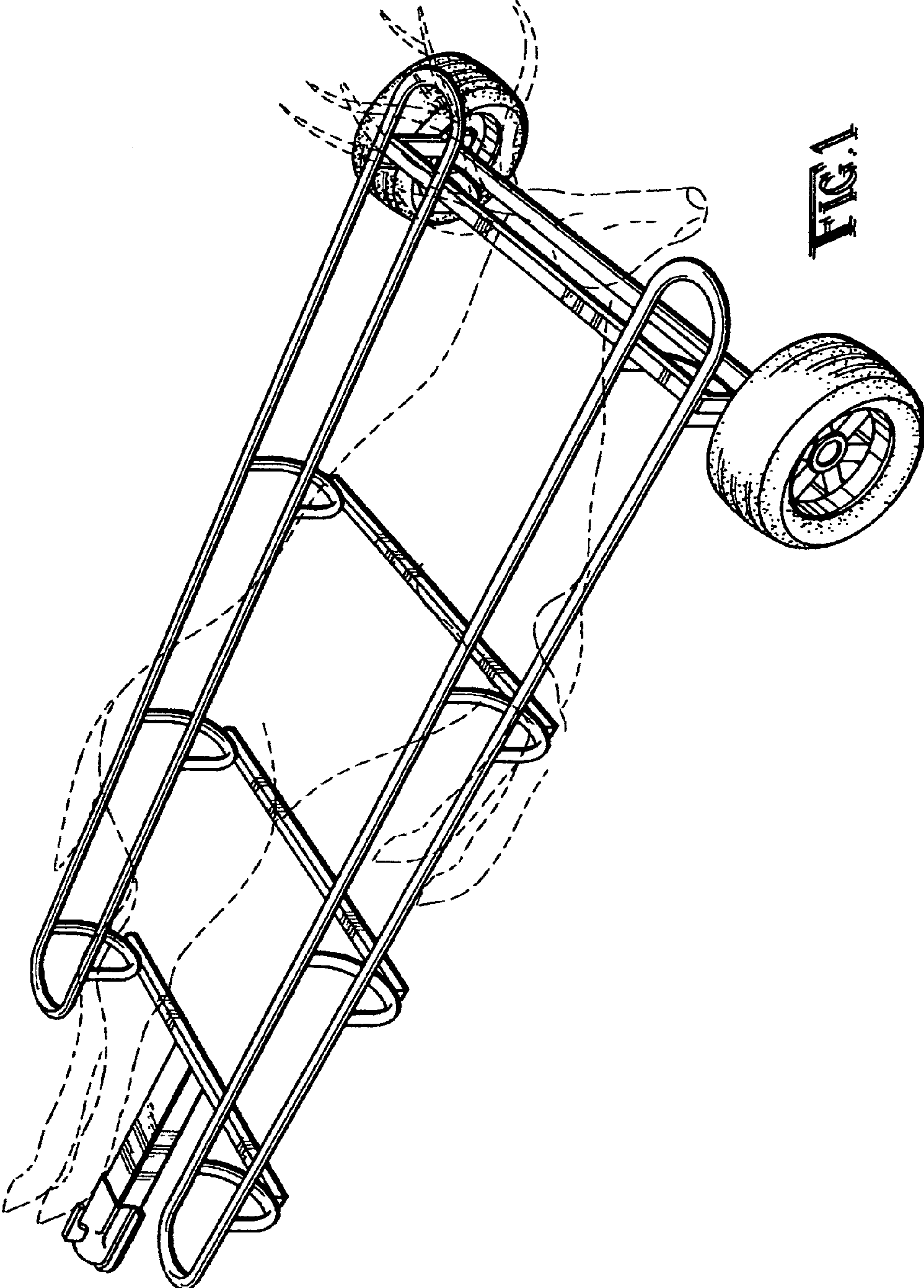


FIG. 1

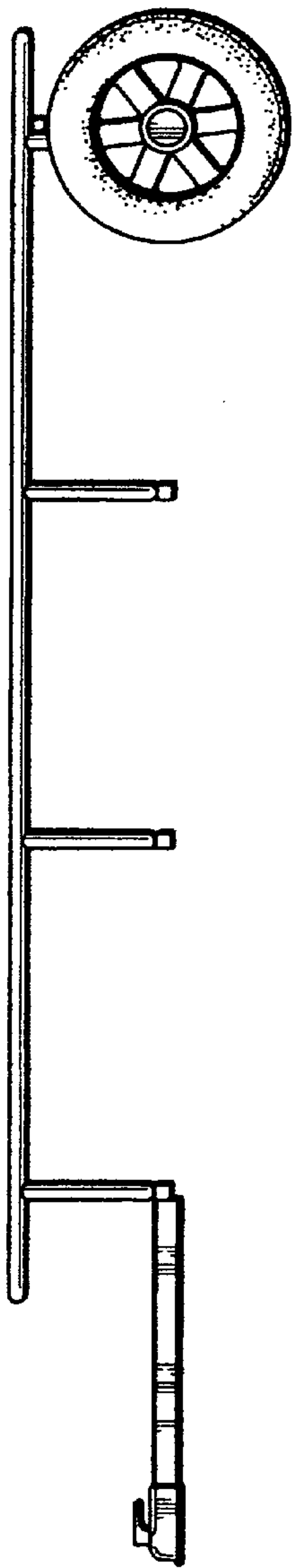


FIG. 2

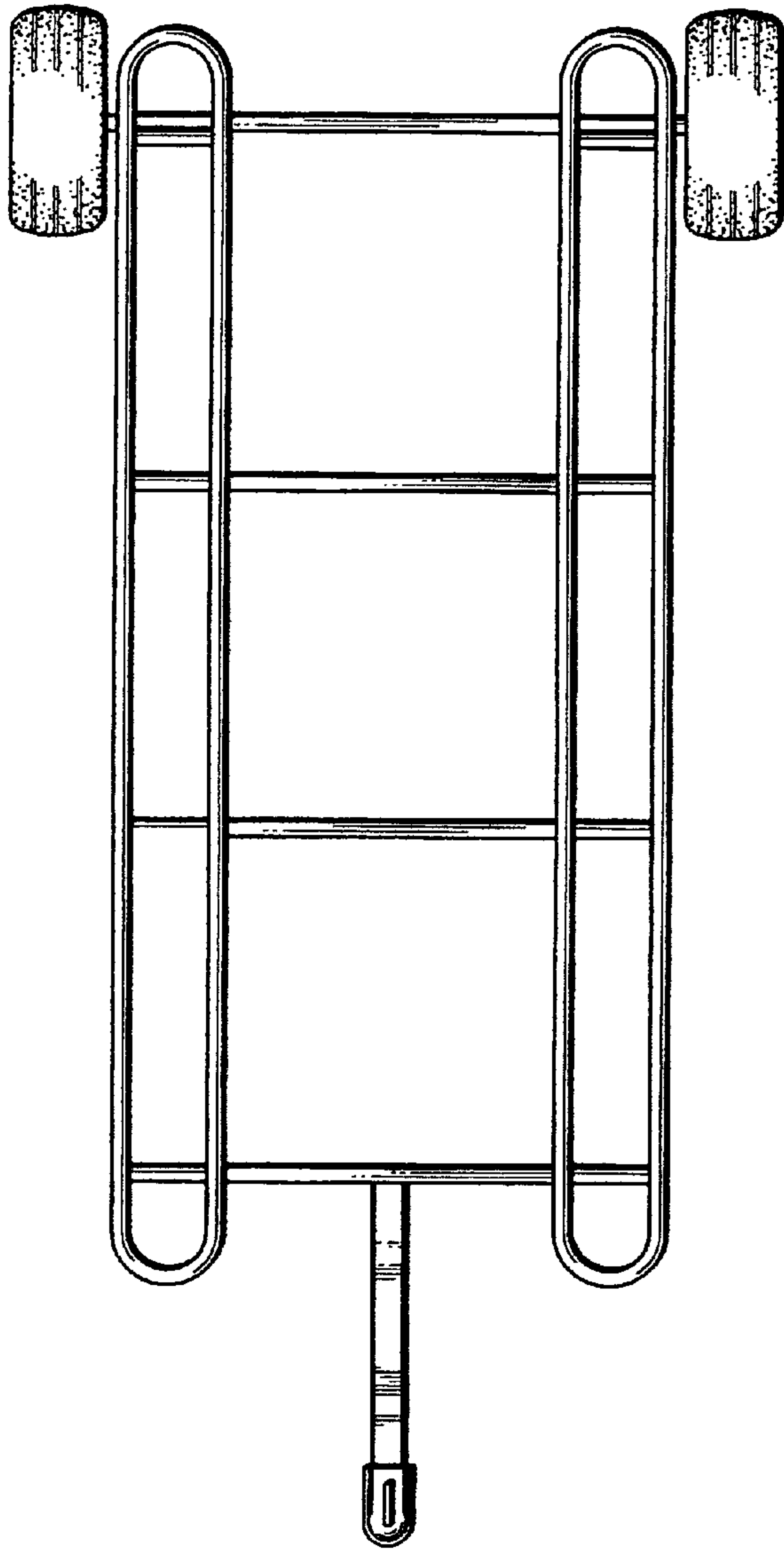


FIG. 3

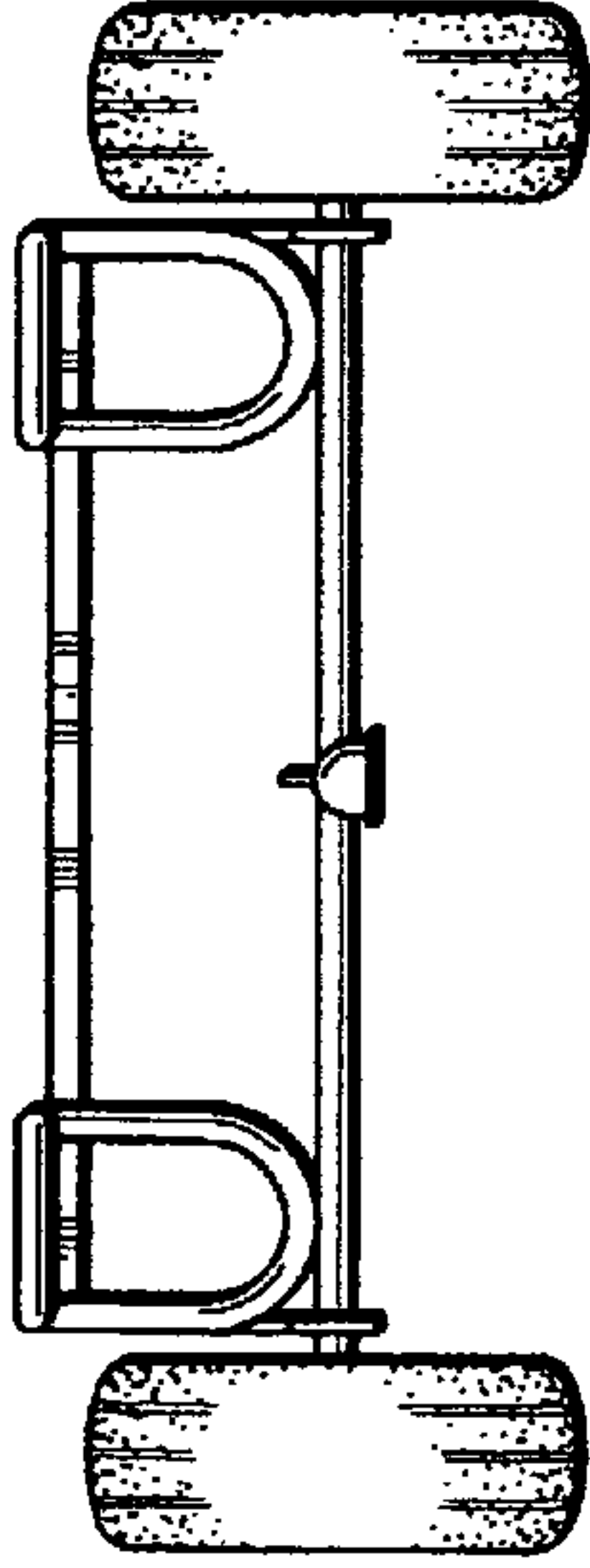


FIG. A

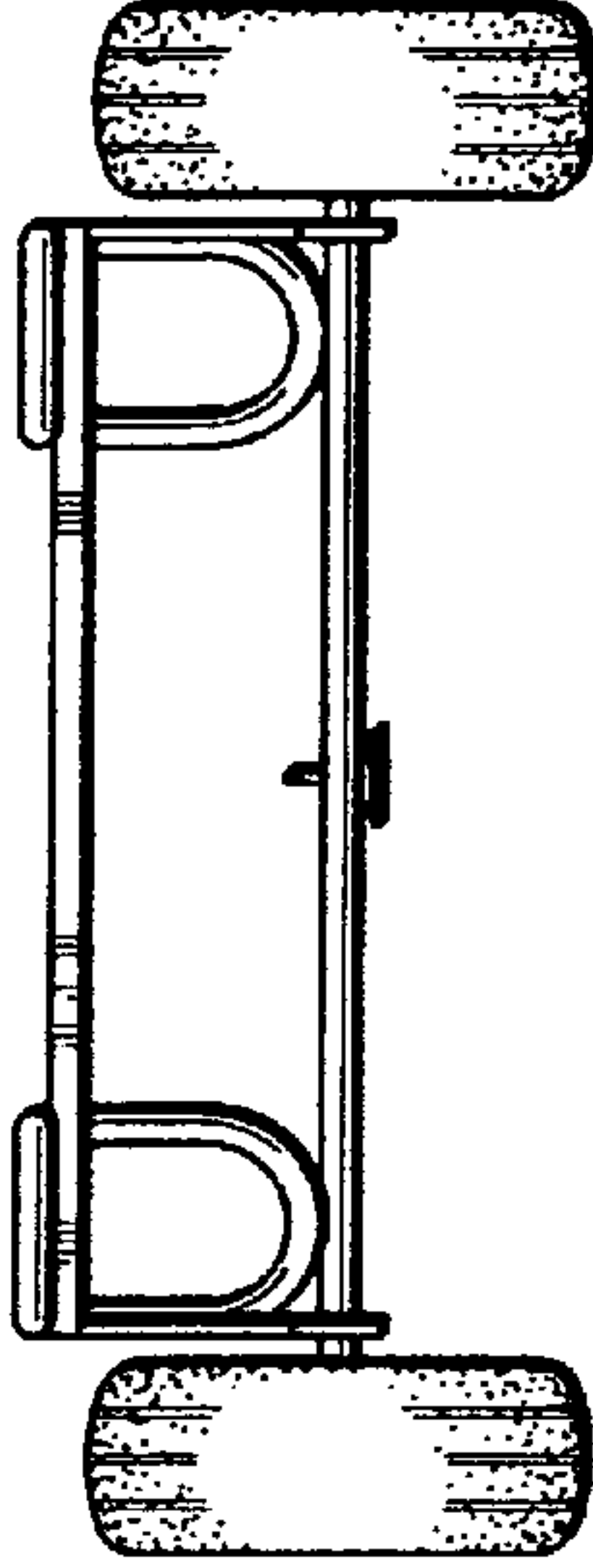


FIG. B

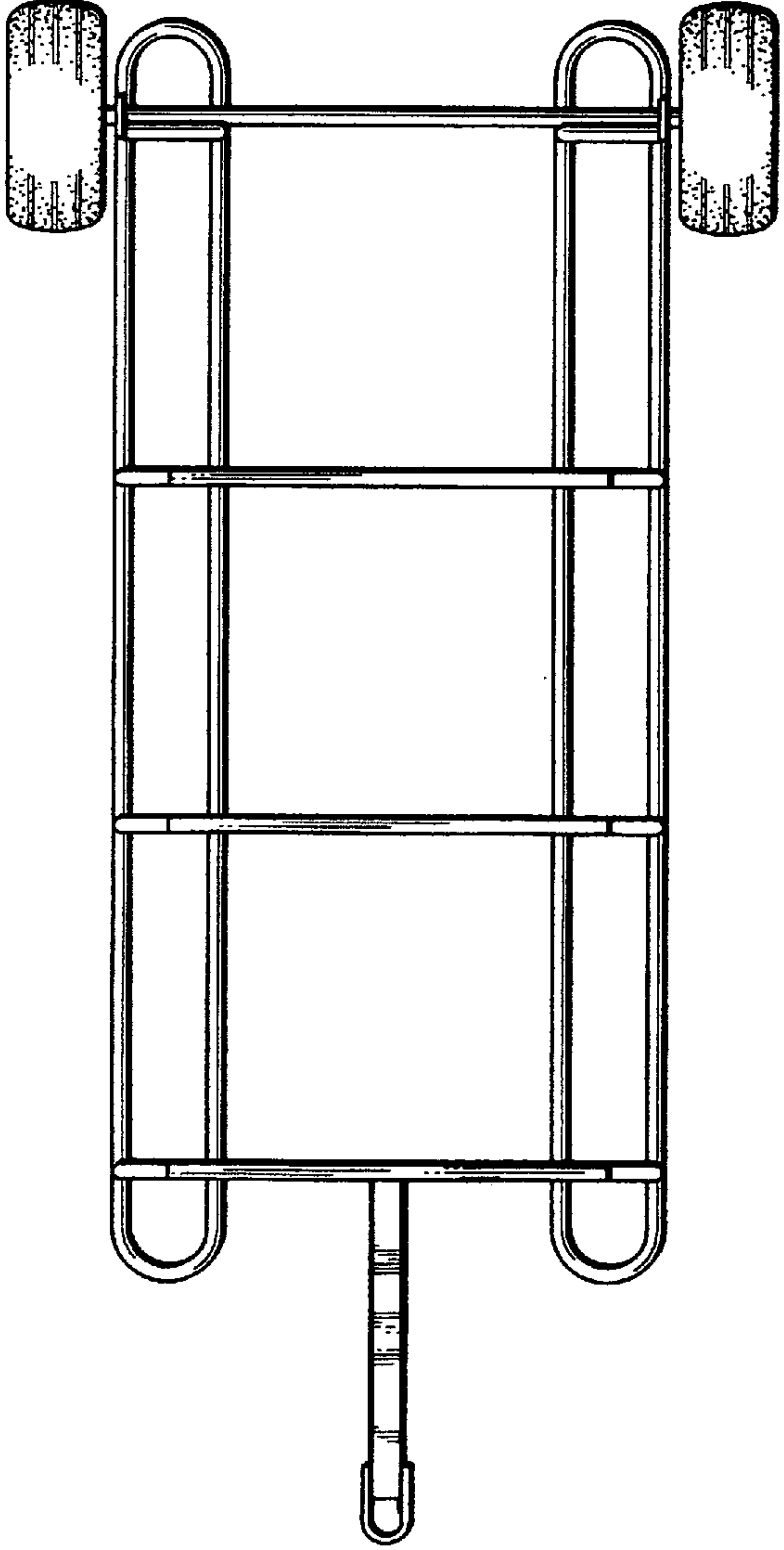


FIG. C