

US00D667755S

(12) **United States Design Patent**
Onoue et al.

(10) **Patent No.:** **US D667,755 S**
(45) **Date of Patent:** **** Sep. 25, 2012**

(54) **AUTOMOBILE AND/OR TOY REPLICA THEREOF**

(75) Inventors: **Kenichi Onoue**, Kariya (JP); **Nobuya Yoshikata**, Kariya (JP)

(73) Assignee: **Toyota Jidosha Kabushiki Kaisha**, Toyota-shi (JP)

(**) Term: **14 Years**

(21) Appl. No.: **29/391,710**

(22) Filed: **May 12, 2011**

(51) **LOC (9) Cl.** **12-08**

(52) **U.S. Cl.** **D12/91**

(58) **Field of Classification Search** D12/86,
D12/90-92; D21/424, 433, 434; 296/181.1,
296/181.5

See application file for complete search history.

(56) **References Cited**

U.S. PATENT DOCUMENTS

D525,562 S	7/2006	Yagi et al.	
D525,910 S	8/2006	Sugiura et al.	
D550,123 S	9/2007	Sasaki et al.	
D622,634 S	* 8/2010	Yamamoto et al.	D12/91
D631,398 S	* 1/2011	Oda et al.	D12/91
D633,009 S	* 2/2011	Matei et al.	D12/91
D646,606 S	* 10/2011	Kato et al.	D12/91
D657,715 S	* 4/2012	Hakamata et al.	D12/91

OTHER PUBLICATIONS

Motor Fan—Additional volume, Shingata Elgrande no Subete, San-eishobo Publishing Co., Ltd., Nissan Elgrande, Oct. 7, 2010.
ElySION Prestige, Mfg. Honda, Website: “Car Watch”; URL:http://car.watch.imprss.co.jp/docs/news/20101118_407686.html, 2011.

* cited by examiner

Primary Examiner — Melody N Brown

(74) *Attorney, Agent, or Firm* — Finnegan, Henderson, Farabow, Garrett & Dunner, LLP

(57) **CLAIM**

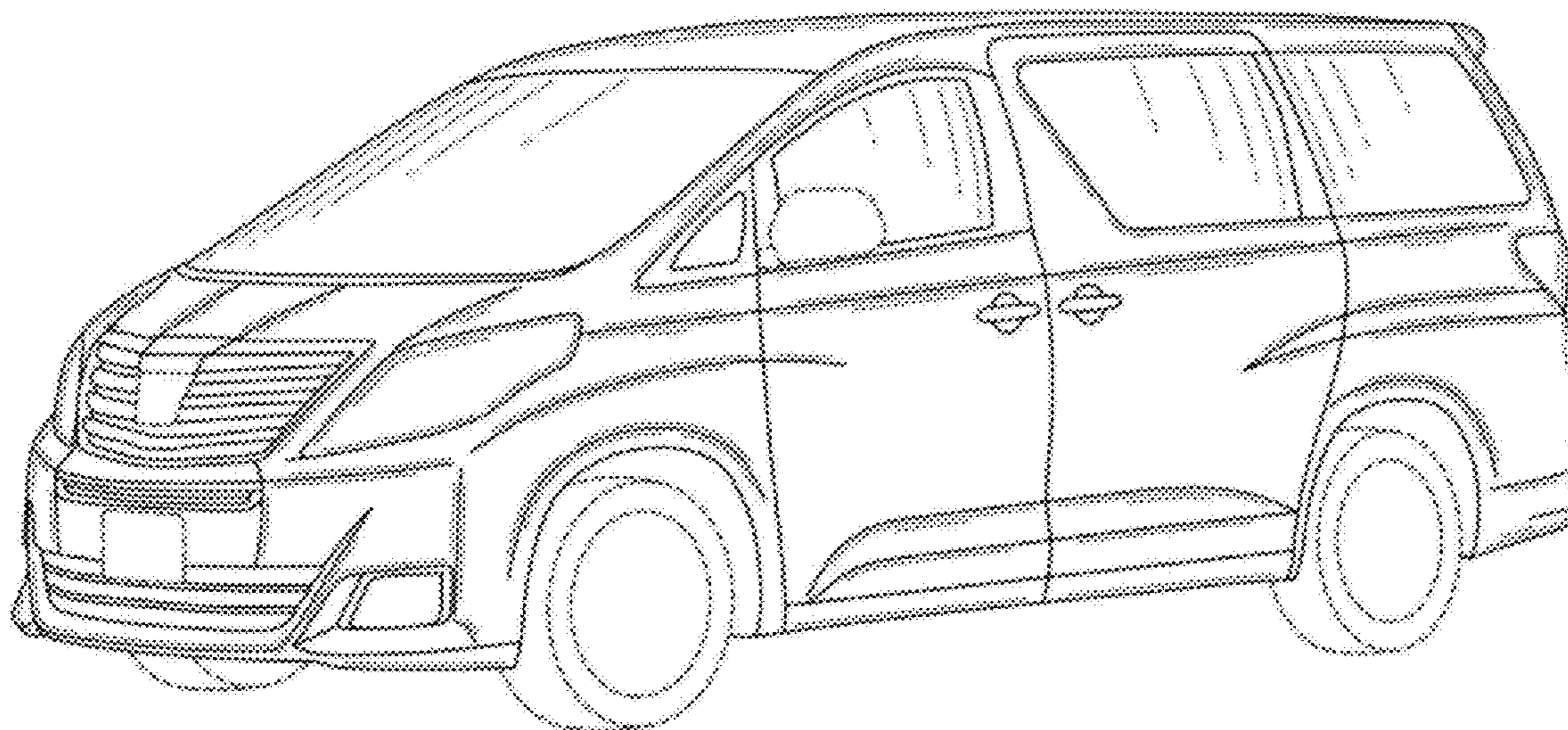
The ornamental design for an automobile and/or toy replica thereof, as shown and described.

DESCRIPTION

FIG. 1 is a left, front perspective view of an automobile and/or a toy replica thereof of our new design;
FIG. 2 is a left, rear perspective view thereof;
FIG. 3 is a front elevation view thereof;
FIG. 4 is a rear elevation view thereof;
FIG. 5 is a front view thereof, the rear view being a mirror image; and,
FIG. 6 is a top plan view thereof.

The broken lines of uniform length in FIGS. 1-6 depict environment and the elements depicted in these broken lines form no part of the claimed design. The bottom view forms no part of the claimed design.

1 Claim, 5 Drawing Sheets



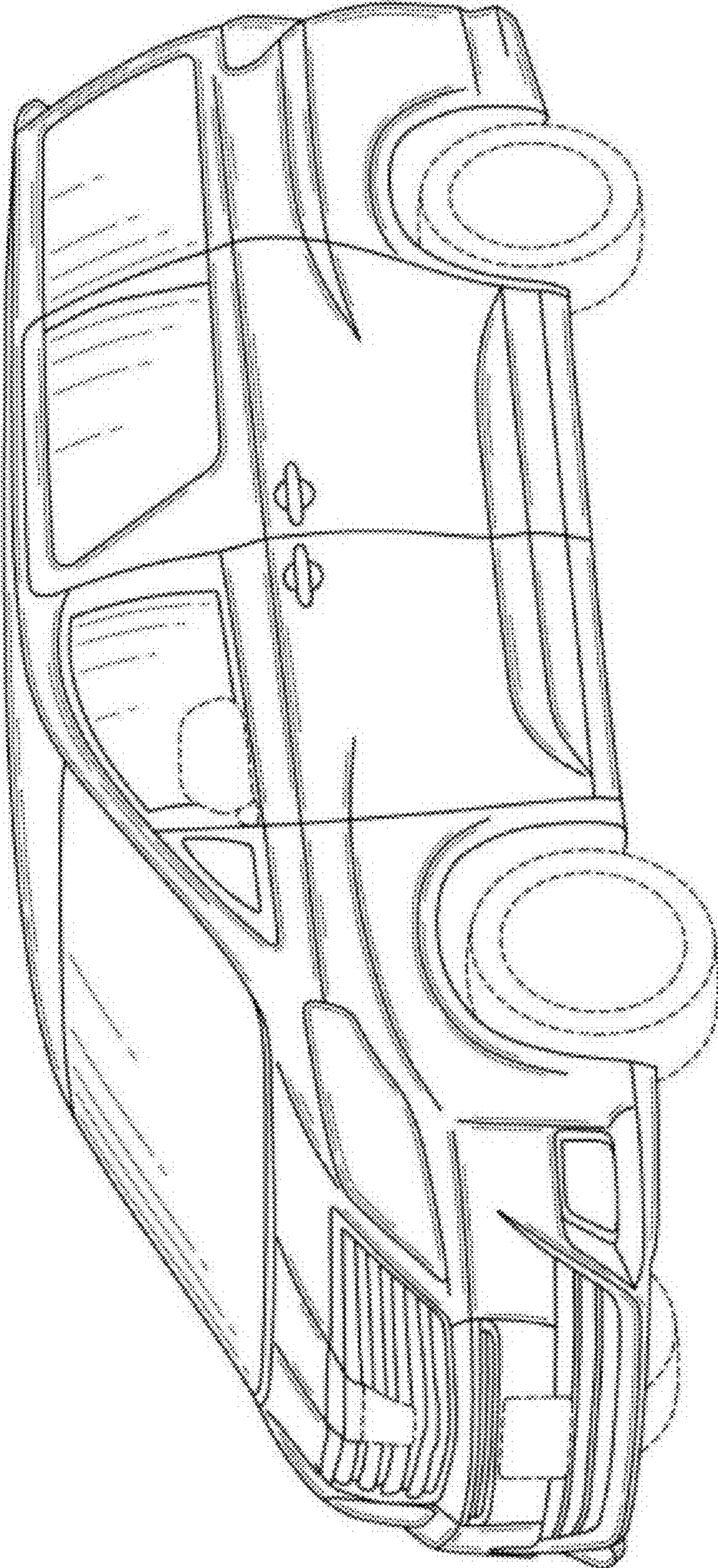


FIG. 1

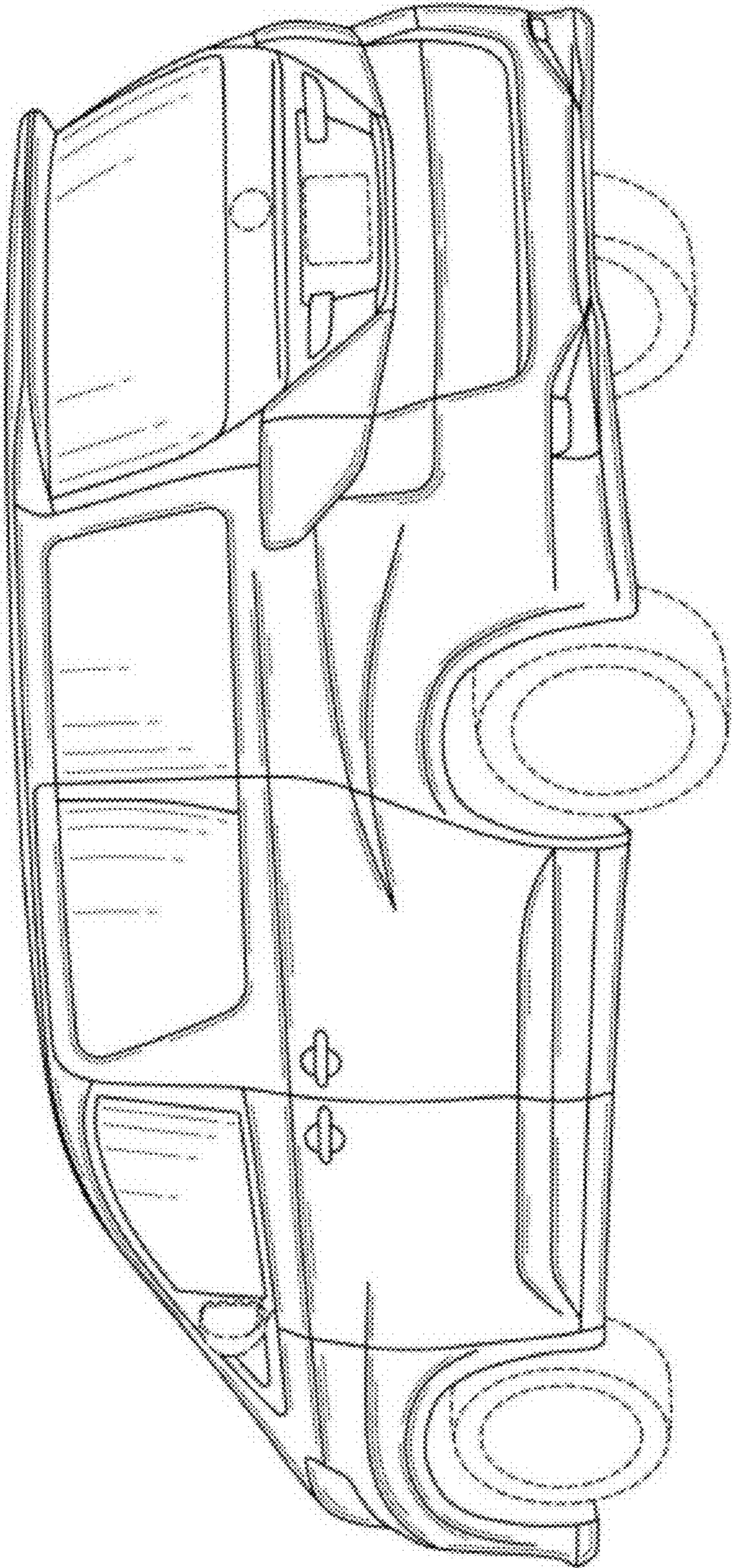


FIG. 2

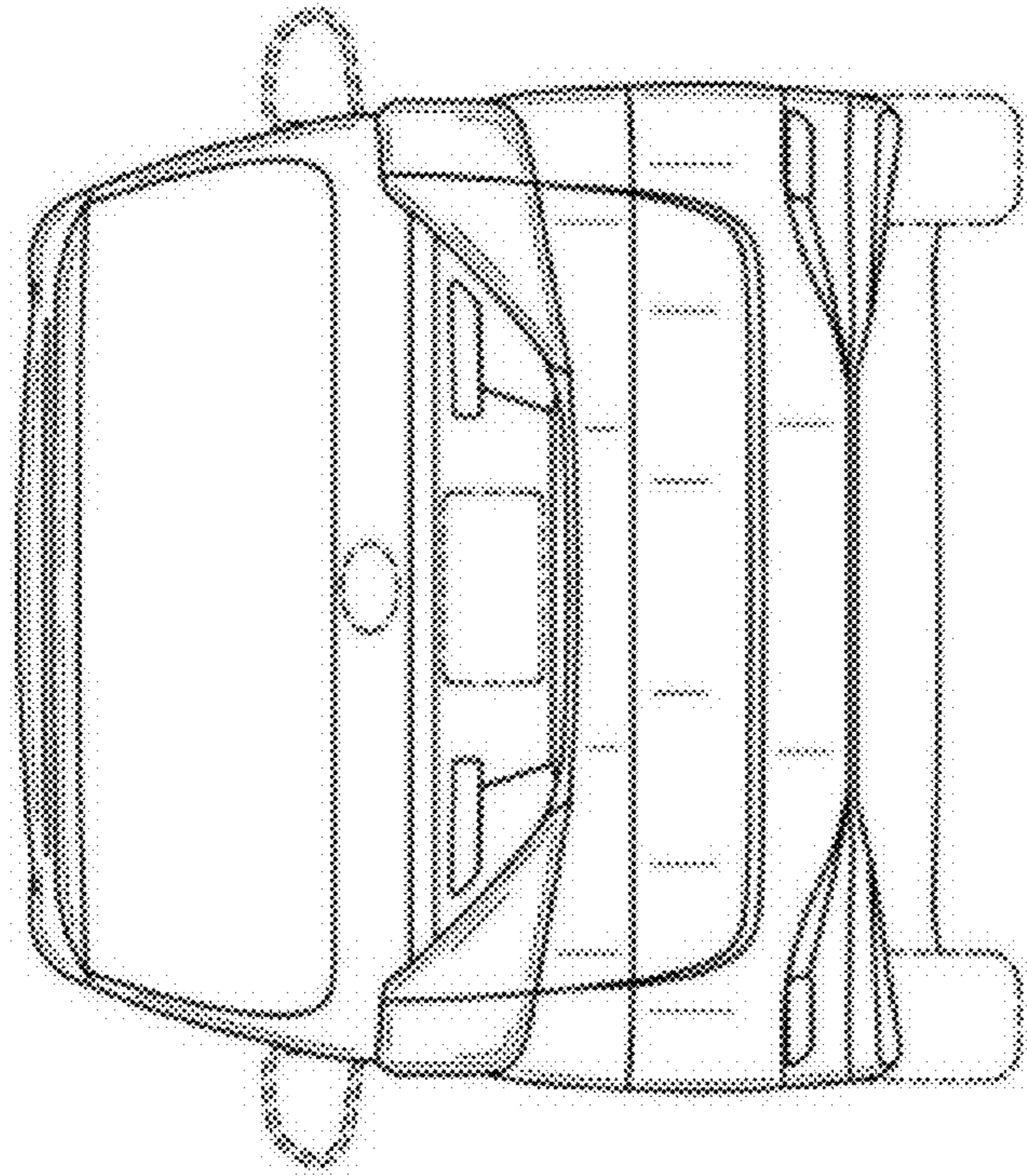


FIG. 3

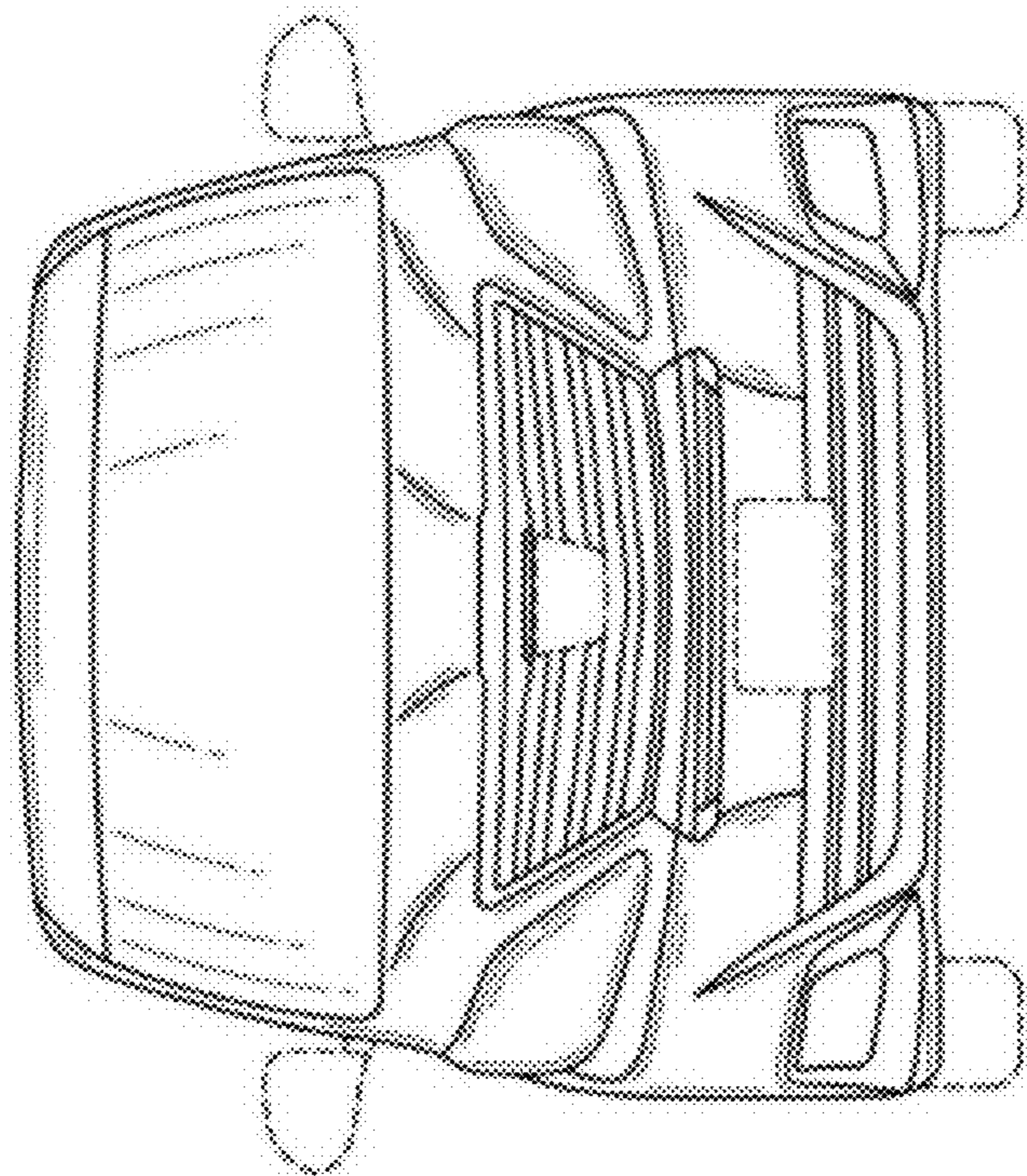


FIG. 4

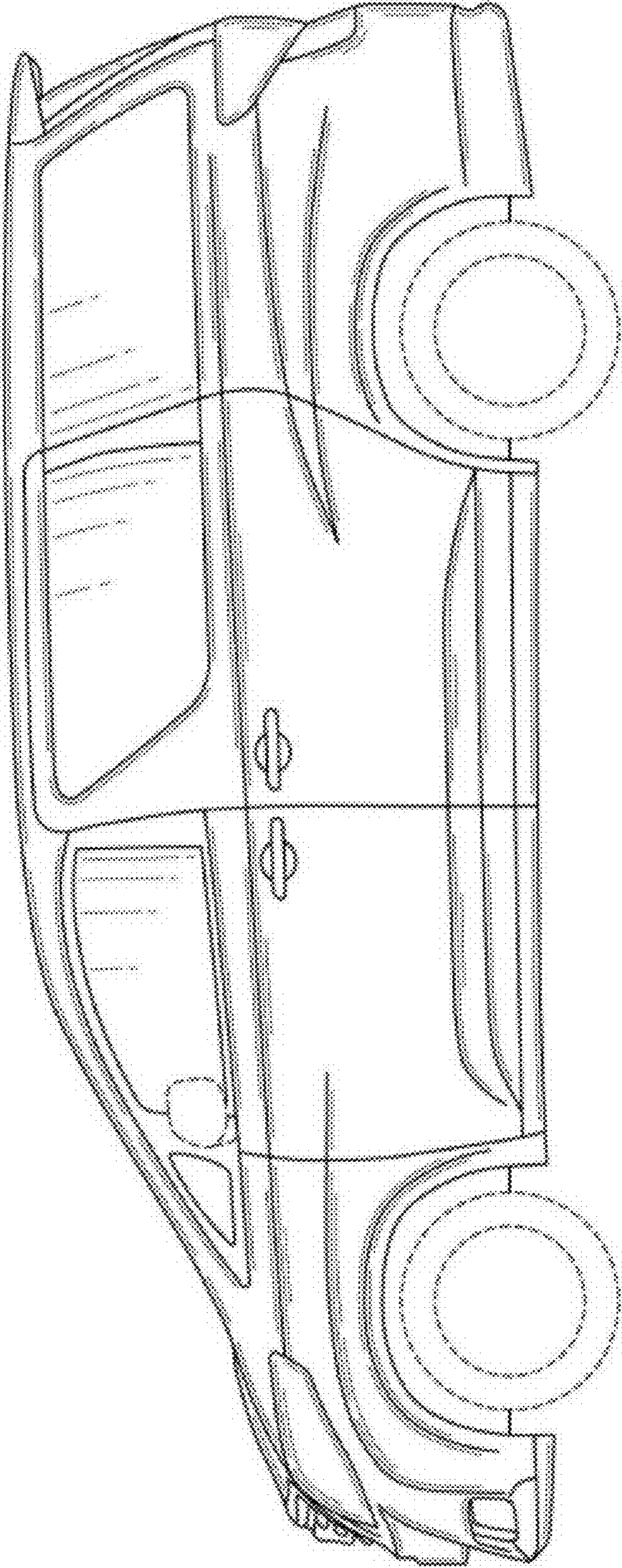


FIG. 5

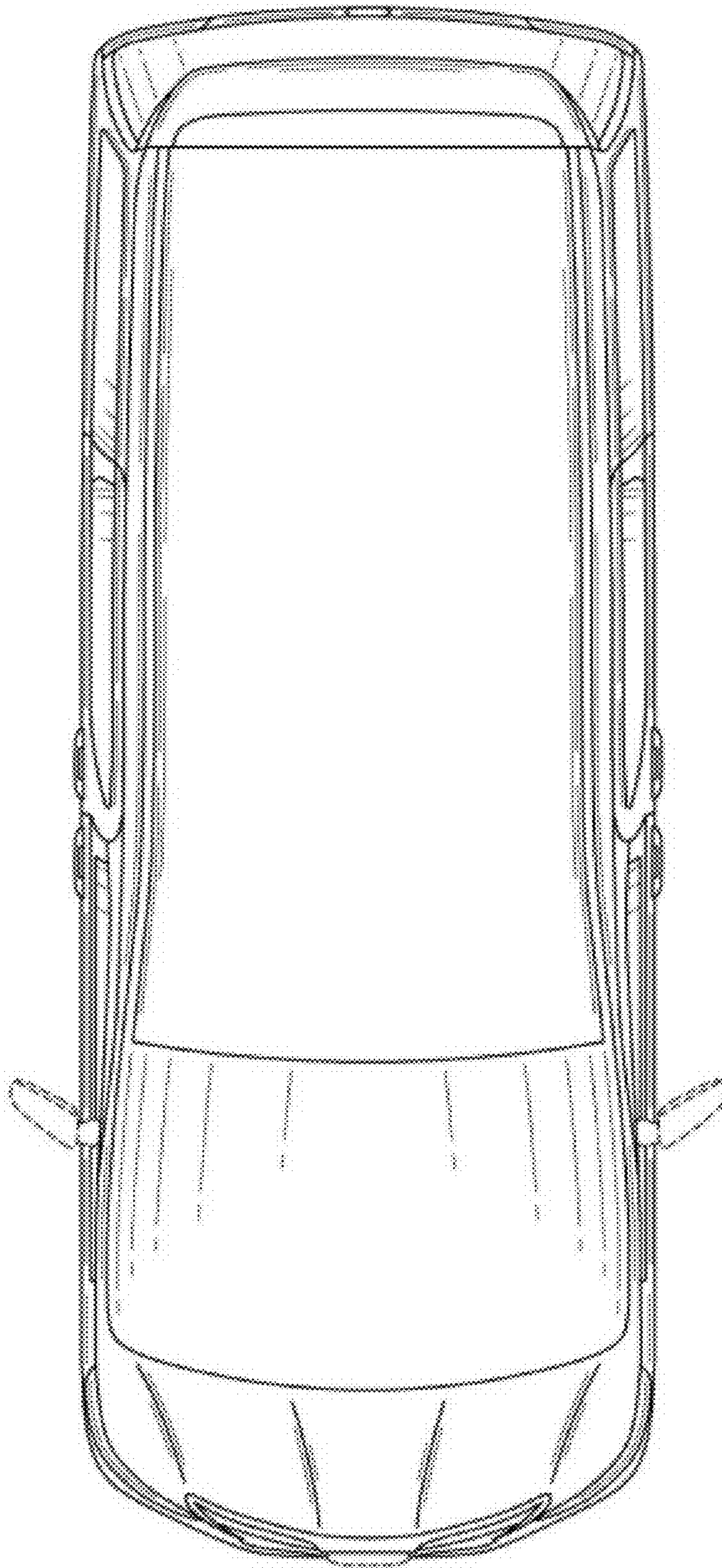


FIG. 6

UNITED STATES PATENT AND TRADEMARK OFFICE
CERTIFICATE OF CORRECTION

PATENT NO. : D667,755 S
APPLICATION NO. : 29/391710
DATED : September 25, 2012
INVENTOR(S) : Kenichi Onoue et al.

Page 1 of 1

It is certified that error appears in the above-identified patent and that said Letters Patent is hereby corrected as shown below:

On the title page item (57), under **DESCRIPTION** should read:

--FIG. 5 is a left side elevation view thereof, the right side elevation being a mirror image; and--

Signed and Sealed this
Second Day of April, 2013



Teresa Stanek Rea
Acting Director of the United States Patent and Trademark Office