



US00D667752S

(12) **United States Design Patent**
Leclerc

(10) **Patent No.:** **US D667,752 S**
(45) **Date of Patent:** **** Sep. 25, 2012**

(54) **TIE RING**
(75) Inventor: **Cédric Leclerc**, Montréal (CA)
(73) Assignee: **La Maison ZAZ Inc.**, Brossard, Québec (CA)
(**) Term: **14 Years**
(21) Appl. No.: **29/388,749**

D305,412 S * 1/1990 Zemer D11/87
D309,586 S * 7/1990 Ruscitti D11/4
D317,275 S * 6/1991 Alvarado Lopez D11/202
D319,035 S * 8/1991 Kruse D11/202
D386,105 S * 11/1997 Kornmann D11/4
5,946,943 A * 9/1999 Hanson 63/12
D439,192 S * 3/2001 Ruscitti D11/26
D460,374 S * 7/2002 Park D11/4
D472,838 S * 4/2003 Ziller D11/1
D476,263 S * 6/2003 Walters D11/200
D525,905 S * 8/2006 Dholakiya D11/202
D605,464 S * 12/2009 McGuire et al. D7/396.1

* cited by examiner

(22) Filed: **Apr. 26, 2011**
(51) **LOC (9) Cl.** **02-07**
(52) **U.S. Cl.** **D11/202**
(58) **Field of Classification Search** D11/1-2,
D11/200-201, 206-210, 214-218, 3, 4, 40,
D11/202; 24/163 R, 169-171, 173, 177-179,
24/191, 194-195, 197, 200, 614-616, 625,
24/562; 70/457-458

Primary Examiner — Ralf Seifert

(74) *Attorney, Agent, or Firm* — Ibrahim Tamer; Benoît & Côté, Associés Inc.

See application file for complete search history.

(57) **CLAIM**

The ornamental design for a tie ring, as shown and described.

DESCRIPTION

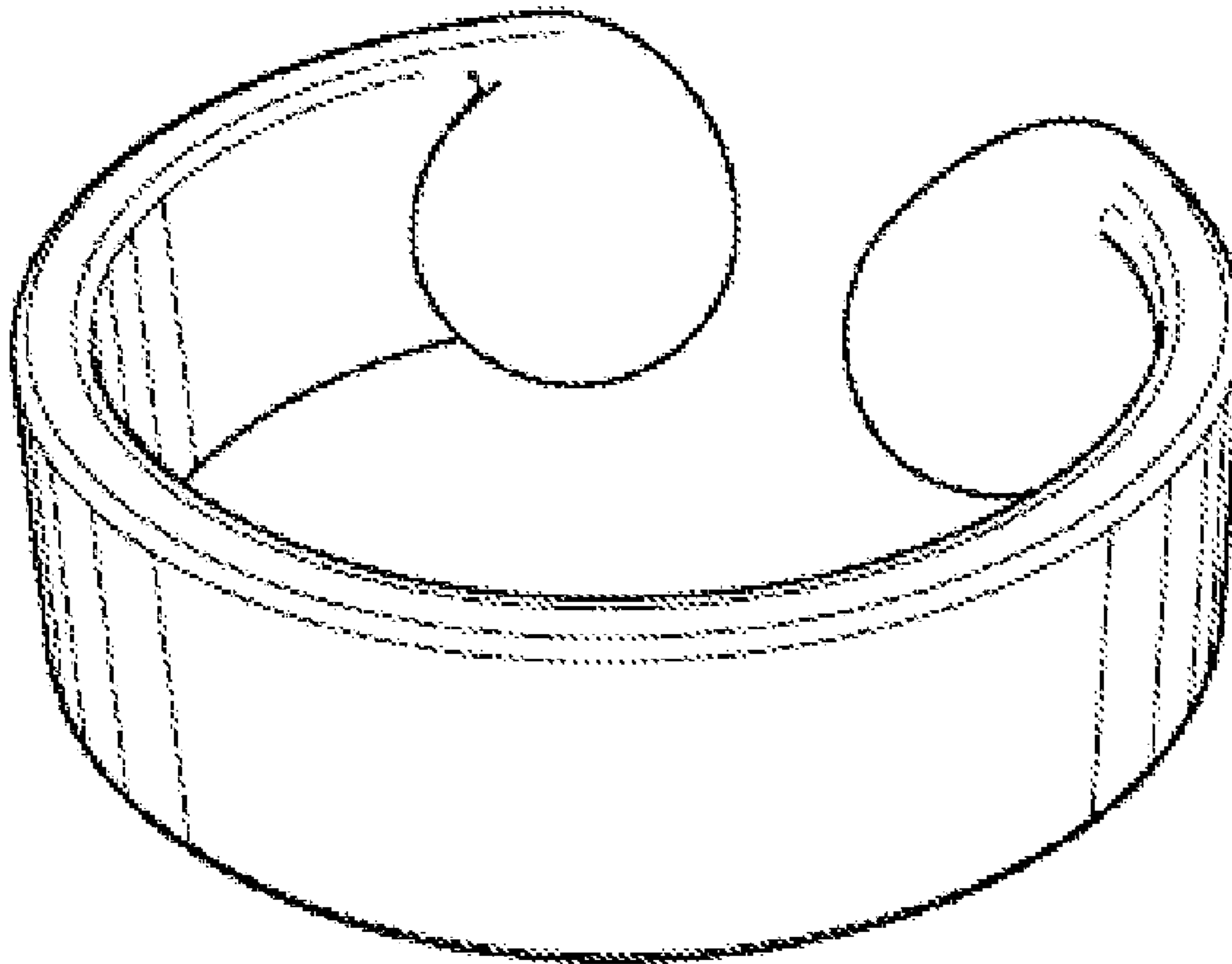
FIG. 1 is a perspective view of a tie ring showing my new design;
FIG. 2 is a rear elevation view of the design of FIG. 1;
FIG. 3 is a top plan view of the design of FIG. 1;
FIG. 4 is a front elevation view of the design of FIG. 1; and,
FIG. 5 is a right side elevation view of the design of FIG. 1.
The design consists of the features of shape and configuration of the entirety of the tie ring as shown in solid lines in the drawings. The portions shown in stippled lines do not form part of the design.

(56) **References Cited**

U.S. PATENT DOCUMENTS

247,300 A * 9/1881 Byron 63/11
2,242,544 A * 5/1941 Porter 63/15.5
D134,936 S * 2/1943 Huff D11/214
D146,794 S * 5/1947 Hartnett D11/202
D168,103 S * 11/1952 Meyer D11/215
3,214,813 A * 11/1965 Goldman 24/562
D278,920 S * 5/1985 Wichman D21/468
D282,695 S * 2/1986 Danniger D11/202
D282,696 S * 2/1986 Danniger D11/202

1 Claim, 1 Drawing Sheet



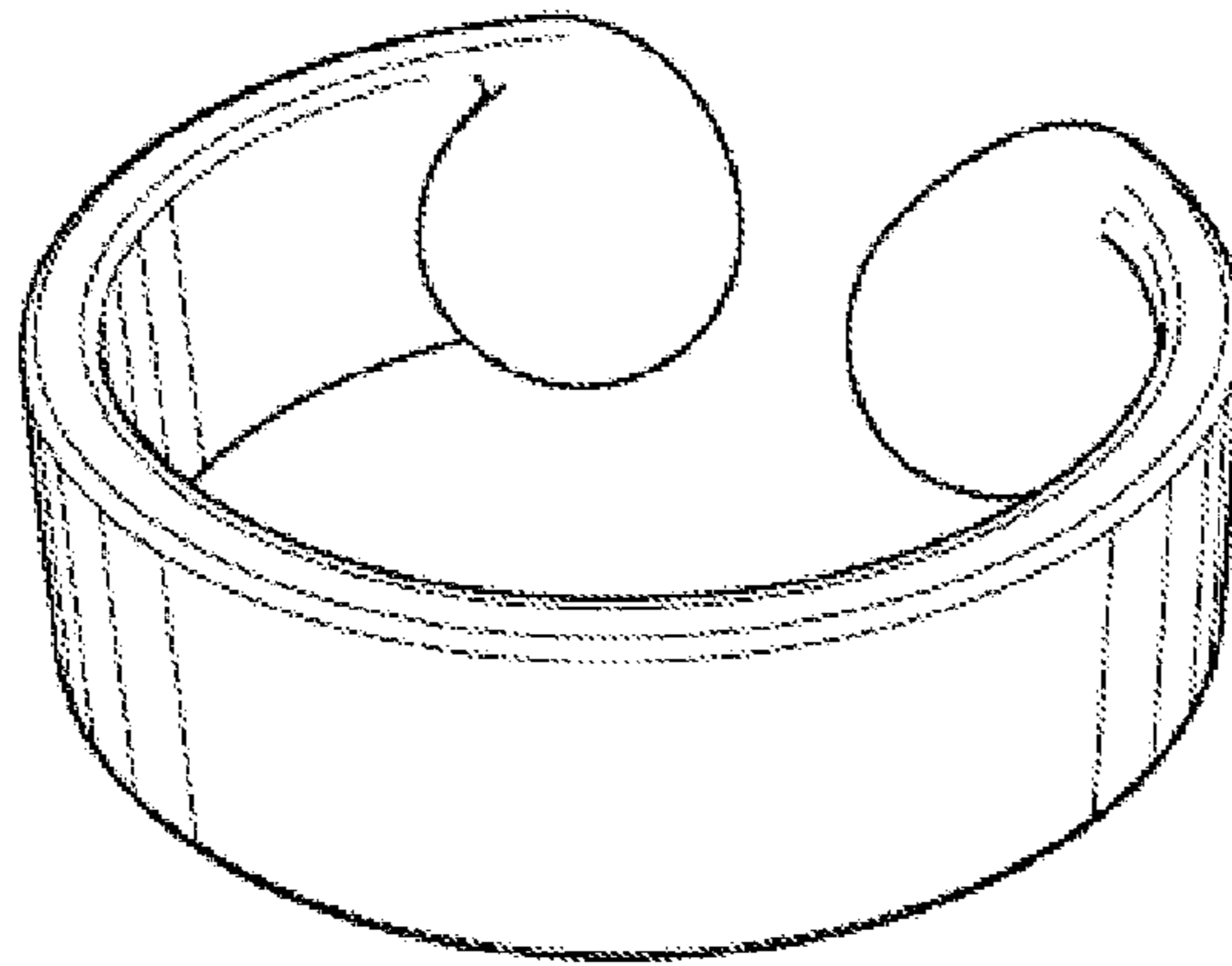


FIG. 1

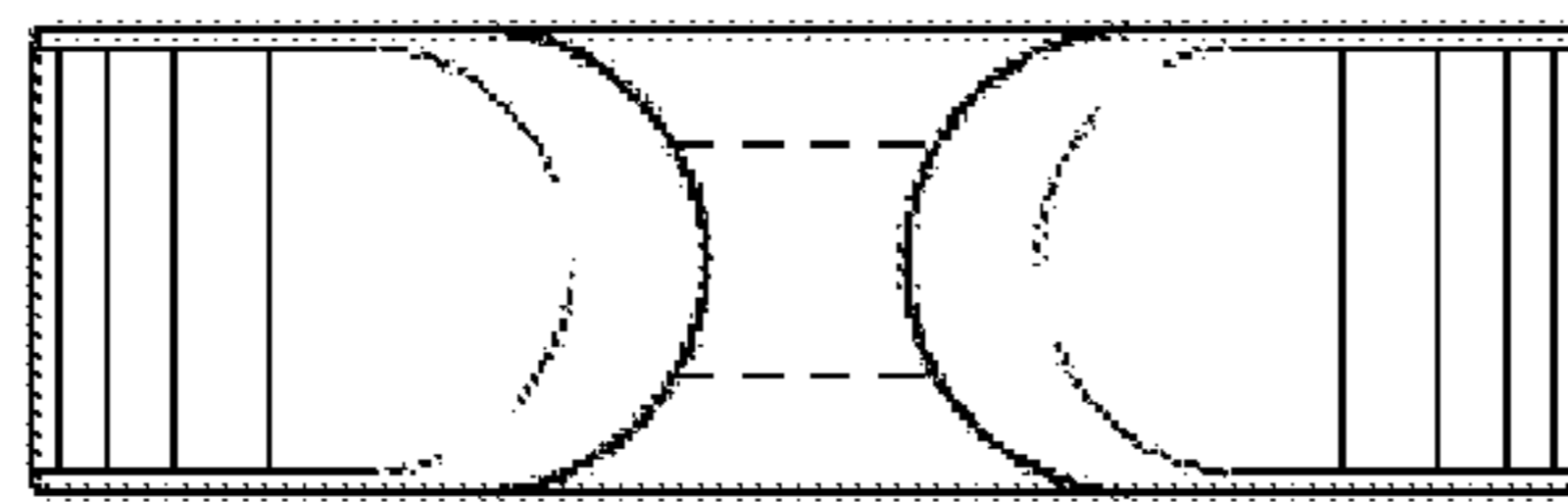


FIG. 2

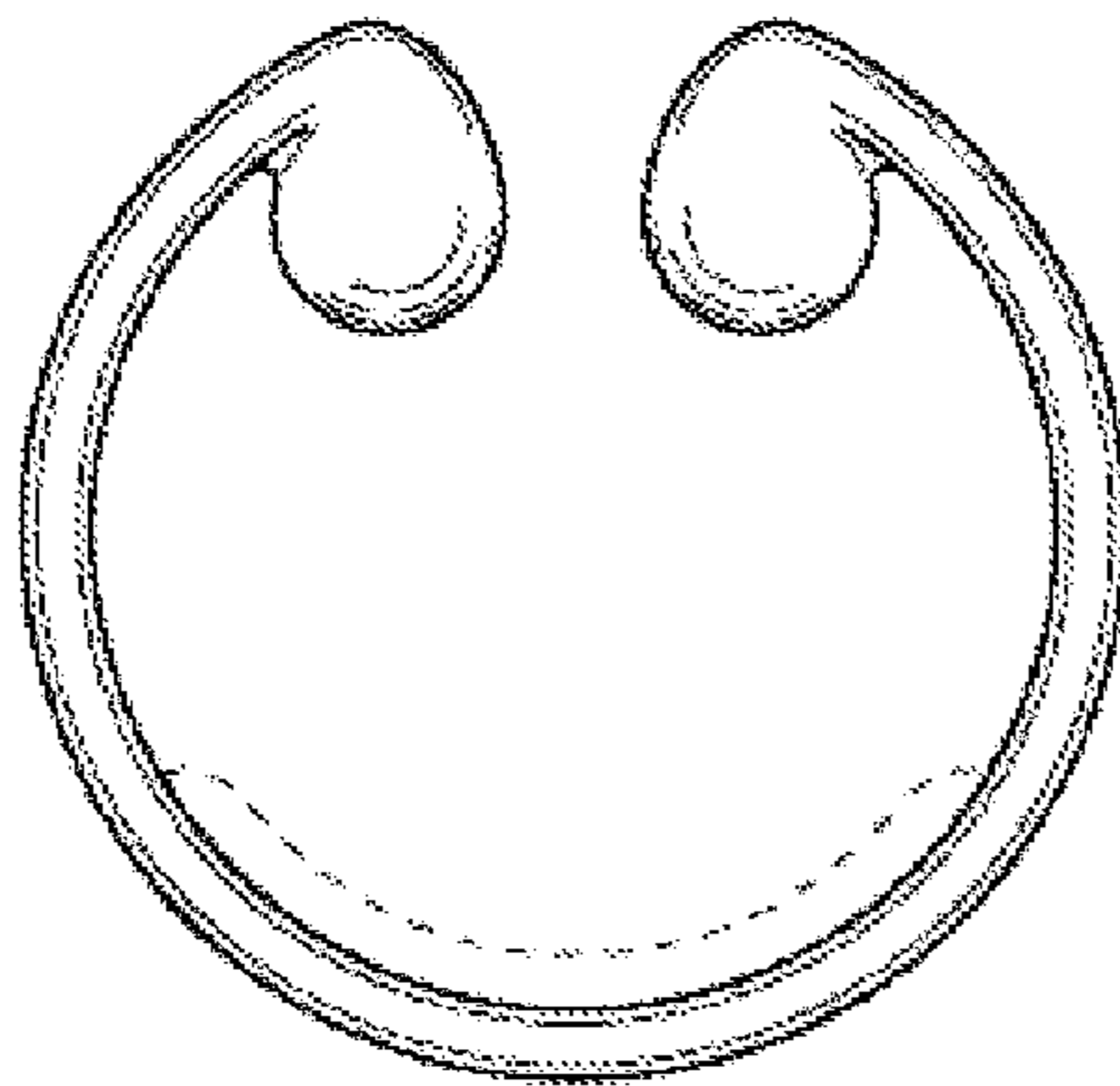


FIG. 3

FIG. 5

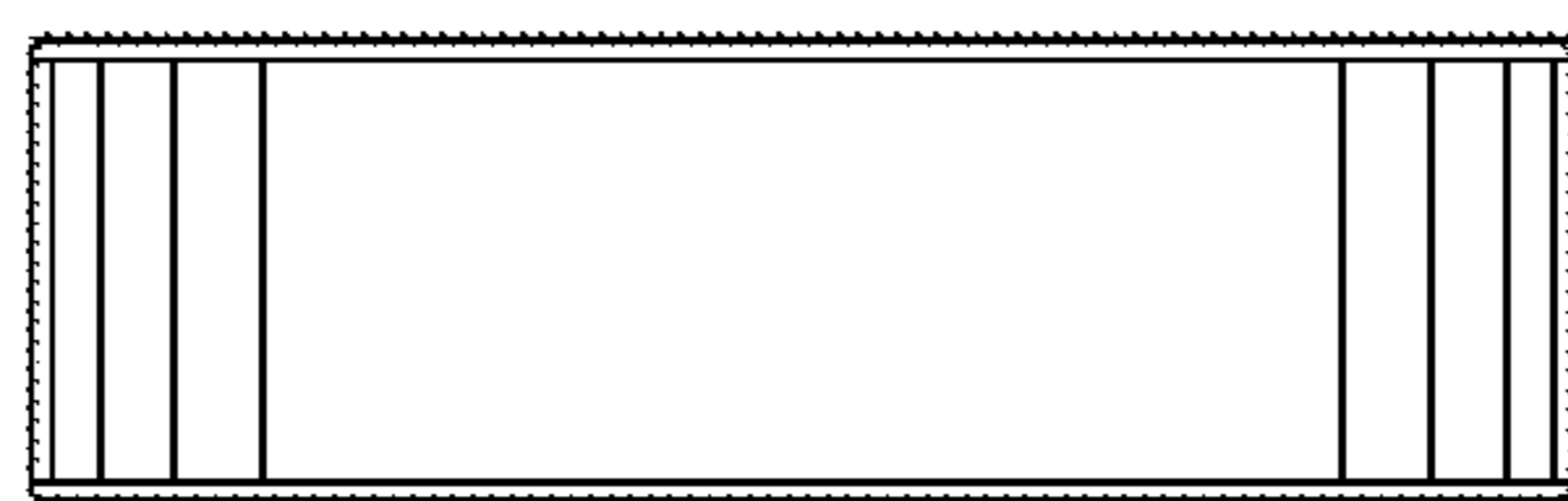
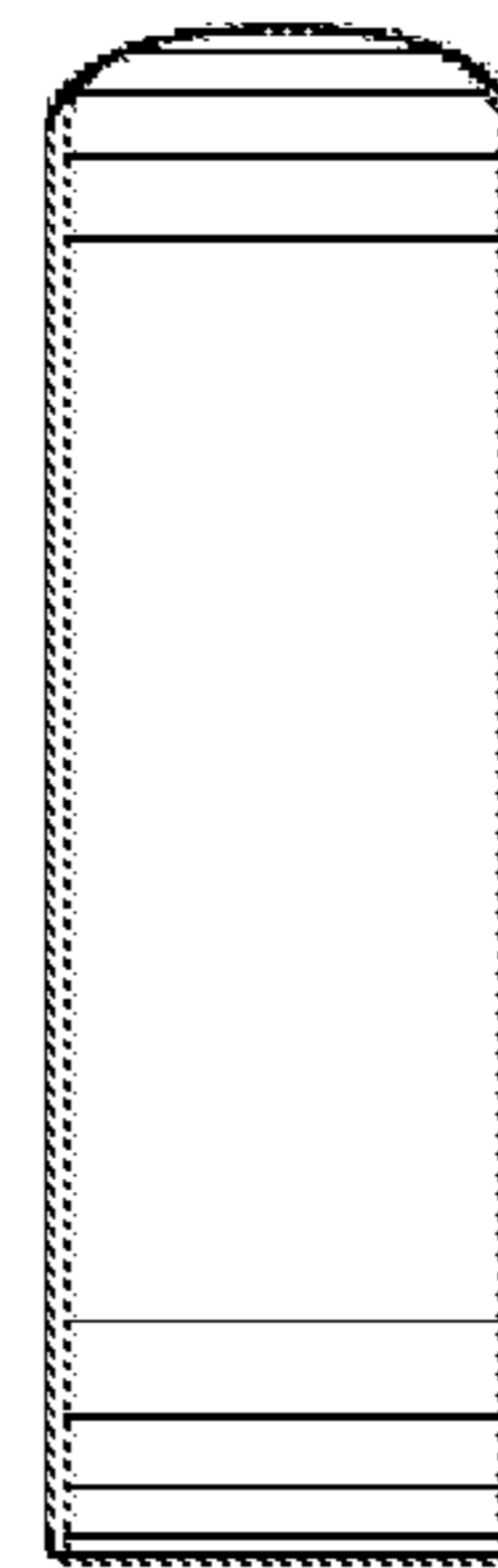


FIG. 4