



US00D667751S

(12) **United States Design Patent**  
**Dunn**

(10) **Patent No.:** **US D667,751 S**

(45) **Date of Patent:** **\*\* Sep. 25, 2012**

(54) **GEM DISPLAY HOLDER FOR A CORD**

2,616,196 A \* 11/1952 Sandahl, Jr. et al. .... 40/606.03  
2,786,983 A 3/1957 Hill  
3,203,700 A 8/1965 Antonious

(76) Inventor: **Scott Eben Dunn**, Atlanta, GA (US)

(Continued)

(\*\*) Term: **14 Years**

FOREIGN PATENT DOCUMENTS

(21) Appl. No.: **29/411,293**

WO WO-2010132567 A1 11/2010

(22) Filed: **Jan. 19, 2012**

OTHER PUBLICATIONS

(51) **LOC (9) Cl.** ..... **11-99**

(52) **U.S. Cl.** ..... **D11/184**

(58) **Field of Classification Search** ..... D11/184;

D8/105, 107, 333, 349, 354, 356, 358, 367,  
D8/373, 382, 383, 394-396; D23/261; D26/38;  
24/197, 561; 174/153 G; 242/400.1, 405.1,  
242/405.2, 600, 916; 248/65, 74.1-74.4,  
248/214, 215, 229.26, 201, 302, 204, 316.7,  
248/316.8; 439/501; D34/38; 108/57.52

See application file for complete search history.

Specification, Claims, and Drawings entered by the U.S. Patent and Trademark Office on Feb. 4, 2011 for U.S. Appl. No. 61/439,606, filed Feb. 4, 2011 (First Named Inventor—Dunn) (21 pages).

(Continued)

*Primary Examiner* — T. Chase Nelson  
*Assistant Examiner* — Michelle E Wilson  
(74) *Attorney, Agent, or Firm* — Ballard Spahr LLP

(57) **CLAIM**

The ornamental design for a gem display holder for a cord, as shown and described.

**DESCRIPTION**

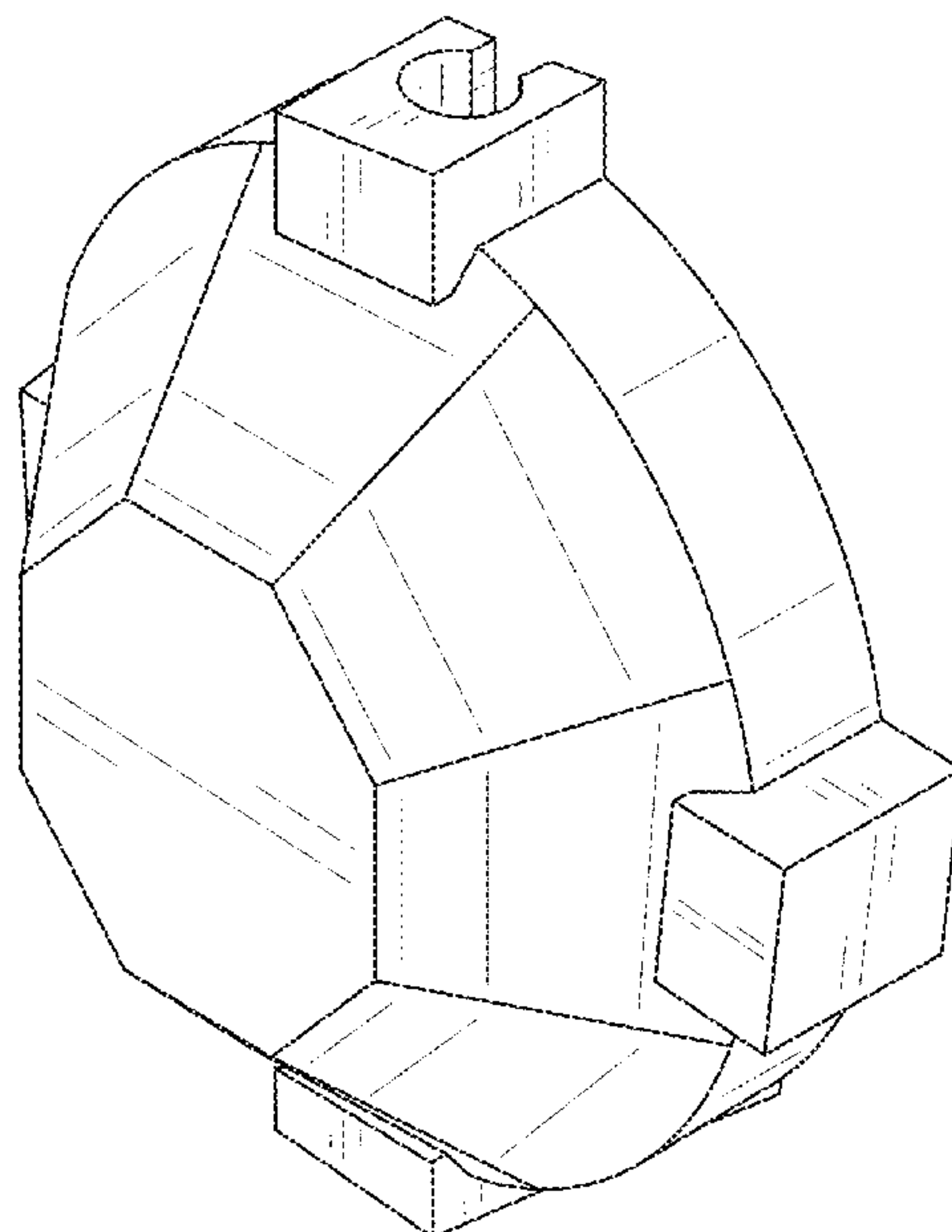
(56) **References Cited**

U.S. PATENT DOCUMENTS

168,063 A	9/1875	Taylor
807,747 A	12/1905	Kling
1,195,276 A	8/1916	Seaman
1,337,722 A	4/1920	Porter
1,388,219 A	8/1921	Thompson
D67,289 S	5/1925	Ladewich
1,593,078 A	7/1926	Jacobs
1,832,318 A	11/1931	Myers
2,083,431 A	6/1937	Cole
D133,983 S	10/1942	Anderson
D137,768 S	4/1944	Shirley
2,355,154 A	8/1944	Goudreau
D156,622 S	12/1949	Harmon
D167,185 S	7/1952	Wendt
2,601,088 A	9/1952	Burgess
2,611,615 A	9/1952	Watson

FIG. 1 is a perspective view of a gem display holder for a cord of the present invention;  
FIG. 2 is a front elevational view of the gem display holder for a cord of FIG. 1;  
FIG. 3 is a rear elevational view of the gem display holder for a cord of FIG. 1;  
FIG. 4 is a left side elevational view of the gem display holder for a cord of FIG. 1;  
FIG. 5 is a right side elevational view of the gem display holder for a cord of FIG. 1;  
FIG. 6 is a top elevational view of the gem display holder for a cord of FIG. 1; and,  
FIG. 7 is a bottom elevational view of the gem display holder for a cord of FIG. 1.

**1 Claim, 5 Drawing Sheets**



# US D667,751 S

Page 2

U.S. PATENT DOCUMENTS								
3,228,640	A *	1/1966	Wolsh	248/72	5,979,028	A	11/1999	Hicks et al.
3,322,381	A *	5/1967	Bubb	248/121	D421,773	S	3/2000	Yashar
3,519,731	A	7/1970	Grunbaum		6,087,589	A	7/2000	Ide
3,576,304	A	4/1971	Gillemot et al.		6,120,565	A	9/2000	Dix et al.
3,696,920	A *	10/1972	Lahay	206/370	D436,518	S	1/2001	Matsubara
3,766,854	A	10/1973	Scarlet		D438,624	S	3/2001	Reina
3,772,809	A	11/1973	Schneller		D438,788	S	3/2001	Rigel
3,788,269	A	1/1974	Scarlet		6,226,865	B1	5/2001	Tanikawa et al.
D235,023	S *	4/1975	Swayze	D14/229	D446,676	S	8/2001	Mayes
4,004,362	A	1/1977	Barbieri		D446,903	S	8/2001	Pavan
4,011,673	A	3/1977	Levine		6,269,573	B1 *	8/2001	Najmi 40/666
4,103,949	A	8/1978	Bouloy		D448,276	S	9/2001	Kelleghan
4,131,226	A	12/1978	Breiter et al.		6,301,756	B1	10/2001	Howard
4,177,750	A	12/1979	Scarlet		D449,981	S	11/2001	Davis
4,198,202	A	4/1980	Kleber		D452,135	S *	12/2001	Wyatt et al. D8/354
D256,398	S	8/1980	Mitchell		6,332,247	B1	12/2001	Hsieh
4,261,121	A	4/1981	Coon		D454,244	S	3/2002	Scheff
4,294,895	A	10/1981	Atkins		D454,971	S	3/2002	Crosby
D266,054	S	9/1982	Goodman		D455,145	S	4/2002	Williams
4,398,444	A	8/1983	Walker		D456,016	S	4/2002	Denson
D270,525	S	9/1983	Bayusik		D456,389	S	4/2002	Denson
D275,174	S	8/1984	Rolli		D456,692	S *	5/2002	Epstein D8/356
4,464,834	A	8/1984	Simms		D457,157	S	5/2002	Best
D280,393	S	9/1985	Lee		6,381,840	B2	5/2002	Ide
D280,394	S	9/1985	Lee		6,392,147	B1	5/2002	Hier et al.
4,539,767	A	9/1985	Jaffe		D459,194	S	6/2002	Johansson et al.
D285,044	S	8/1986	Mockett		6,409,131	B1 *	6/2002	Bentley et al. 248/219.4
D289,138	S	4/1987	Nead		D460,350	S	7/2002	Davis
4,656,767	A	4/1987	Tarrant		6,430,782	B1	8/2002	Torres et al.
D289,732	S	5/1987	Jason		D465,993	S	11/2002	Kelleghan
D293,766	S	1/1988	Lamb		6,490,789	B1	12/2002	Ide
4,738,817	A	4/1988	Wittwer et al.		6,497,063	B1	12/2002	Stephens
4,821,988	A *	4/1989	Jimenez	248/227.3	D477,772	S *	7/2003	Nezu D8/383
4,856,214	A	8/1989	Machen		6,598,558	B2	7/2003	Griffin
D305,254	S	12/1989	Bateman et al.		6,634,528	B2	10/2003	Hurtgam
D308,011	S	5/1990	Norris		D481,649	S *	11/2003	Samuels D11/90
D314,529	S	2/1991	Willard		D482,391	S	11/2003	Hui
D317,171	S	5/1991	Saks		6,651,362	B2	11/2003	Caveney
D321,913	S	11/1991	Wolff		6,657,126	B2	12/2003	Ide et al.
D325,400	S	4/1992	Wolff		6,662,445	B2	12/2003	Tanikawa et al.
5,122,068	A	6/1992	Koss		D485,783	S *	1/2004	Youngman D11/90
5,161,799	A	11/1992	Nandra		D486,926	S	2/2004	Yuen
5,203,129	A	4/1993	Johnson		D490,692	S	6/2004	Williams
5,207,174	A	5/1993	Fabbrini		D491,836	S *	6/2004	Haimoff D11/90
5,209,992	A	5/1993	Feres		D492,800	S	7/2004	Yuen
D336,131	S *	6/1993	Nordstrom et al.	D24/128	D494,087	S *	8/2004	Lax D11/90
D340,038	S	10/1993	Venne et al.		D494,090	S *	8/2004	Lax D11/90
D356,350	S	3/1995	Berggreen		D494,091	S *	8/2004	Lax D11/90
D358,615	S	5/1995	Cline		D494,092	S *	8/2004	Lax D11/90
D364,201	S	11/1995	Jensen		D494,093	S *	8/2004	Lax D11/90
D365,781	S	1/1996	Osborn		6,844,499	B2	1/2005	Ide et al.
5,479,735	A *	1/1996	Martin, Jr.	40/593	D502,122	S *	2/2005	Lax D11/90
D369,042	S	4/1996	Kinart		6,858,804	B2	2/2005	Murakami et al.
D369,758	S *	5/1996	Remidio	D11/90	D505,091	S *	5/2005	Youngman D11/90
5,536,096	A	7/1996	Nowak		D505,356	S	5/2005	Ho
5,537,042	A	7/1996	Beutler et al.		D507,508	S	7/2005	Brownell
5,584,122	A	12/1996	Kato et al.		6,940,020	B2	9/2005	Ide et al.
5,657,198	A	8/1997	Flener		D511,709	S	11/2005	Mehta
5,669,191	A	9/1997	Weaver		D511,987	S *	11/2005	Swarovski D11/90
D388,833	S	1/1998	Wilson		D511,989	S *	11/2005	Pereira De Castro et al. D11/90
5,712,767	A	1/1998	Koizumi		D512,934	S	12/2005	Voorn
D390,066	S *	2/1998	Watkins et al.	D7/633	D514,978	S *	2/2006	Lakhi D11/90
D393,345	S	4/1998	Clegg et al.		D520,676	S	5/2006	Chen
5,740,622	A	4/1998	Martin		D521,409	S *	5/2006	De Castro et al. D11/90
D396,146	S	7/1998	Blue		7,073,282	B2	7/2006	Savagian et al.
D401,883	S	12/1998	Madhvani		7,111,812	B2 *	9/2006	Shannon et al. 248/230.7
5,845,883	A *	12/1998	Meyer	248/73	D529,557	S	10/2006	Greenwald
5,869,784	A	2/1999	Shinchi		D534,594	S	1/2007	Revere
D407,453	S	3/1999	Rashman		D535,907	S *	1/2007	Sevdermish D11/90
5,887,368	A	3/1999	Rupp		D538,351	S	3/2007	Strong et al.
D412,136	S *	7/1999	Namdar et al.	D11/90	D542,123	S	5/2007	Symons
5,922,993	A	7/1999	Ide et al.		D548,057	S	8/2007	Kelleghan
5,925,202	A	7/1999	Ide et al.		D563,157	S	3/2008	Bouveret et al.
5,929,384	A	7/1999	Ide et al.		D563,616	S	3/2008	Lynde et al.
5,933,995	A	8/1999	Gorbach		D563,828	S	3/2008	Meijer
5,934,509	A	8/1999	Niss		D568,723	S	5/2008	Morgan
D413,544	S	9/1999	Steinberg		D572,126	S	7/2008	Tomaka
5,971,436	A	10/1999	Cox		D572,165	S *	7/2008	Lichtenstein D11/90
					D578,163	S	10/2008	Chou



D578,275 S	10/2008	Shantz et al.	
D585,196 S	1/2009	Bundrick	
D587,162 S	2/2009	Baker	
D587,163 S	2/2009	Baker	
D587,164 S	2/2009	Baker	
D587,623 S	3/2009	Baker	
D587,624 S	3/2009	Baker	
D589,328 S	3/2009	Edge	
7,509,765 B2	3/2009	Flores	
D590,676 S	4/2009	Pickard	
D590,885 S	4/2009	Love	
D592,540 S	5/2009	Rydlawicz	
D599,246 S	9/2009	Rudes	
D609,951 S	2/2010	Walker	
D610,482 S	2/2010	Shaw	
7,687,999 B2	3/2010	Essick et al.	
D618,985 S *	7/2010	Sjoqvist .....	D8/356
D626,880 S	11/2010	Castaline et al.	
D629,286 S	12/2010	Laskowski	
D629,671 S *	12/2010	Ohuri et al. ....	D8/356
D635,485 S	4/2011	Schanzer	
D639,408 S	6/2011	Newman	
D639,700 S	6/2011	Adams et al.	
D644,150 S	8/2011	Edick	
D644,501 S	9/2011	Chen	
D645,345 S	9/2011	Liebowitz et al.	
D646,730 S	10/2011	Burch	
D652,460 S	1/2012	Kulzer	
D652,766 S	1/2012	Dunn	
D652,767 S	1/2012	Dunn	
D653,163 S	1/2012	Dunn	
D653,164 S	1/2012	Dunn	
D653,165 S	1/2012	Dunn	
D653,166 S	1/2012	Dunn	
D653,167 S	1/2012	Dunn	
D653,168 S	1/2012	Dunn	
D655,887 S	3/2012	Zbuchalski	
D656,067 S	3/2012	Dunn	
2008/0285785 A1	11/2008	Zieg et al.	
2012/0031981 A1	2/2012	Westlake et al.	

OTHER PUBLICATIONS

Specification, Claims, and Drawings entered by the U.S. Patent and Trademark Office on Feb. 6, 2012 for U.S. Appl. No. 13/367,352, filed Feb. 6, 2012 (First Named Inventor—Dunn) (28 pages).

Specification, Claims, and Drawings entered by the U.S. Patent and Trademark Office on Jun. 18, 2011 for U.S. Appl. No. 29/394,588, filed Jun. 18, 2011 (First Named Inventor—Dunn) (34 pages).

Requirement for Restriction/Election entered by the U.S. Patent and Trademark Office on Sep. 21, 2011 for U.S. Appl. No. 29/394,588, filed Jun. 18, 2011 (First Named Inventor—Dunn) (5 pages).

Response to Election/Restriction Filed entered by the U.S. Patent and Trademark Office on Nov. 21, 2011 for U.S. Appl. No. 29/394,588, filed Jun. 18, 2011 (First Named Inventor—Dunn) (2 pages).

Notice of Allowance and Fees Due entered by the U.S. Patent and Trademark Office on Jan. 6, 2012 for U.S. Appl. No. 29/394,588, filed Jun. 18, 2011 (First Named Inventor—Dunn) (8 pages).

Specification, Claims, and Drawings entered by the U.S. Patent and Trademark Office on Jun. 18, 2011 for U.S. Appl. No. 29/394,589, filed Jun. 18, 2011 (First Named Inventor—Dunn) (12 pages).

Notice of Allowance and Fees Due entered by the U.S. Patent and Trademark Office on Sep. 20, 2011 for U.S. Appl. No. 29/394,589, filed Jun. 18, 2011 (First Named Inventor—Dunn) (7 pages).

Supplemental Notice of Allowability entered by the U.S. Patent and Trademark Office on Nov. 14, 2011 for U.S. Appl. No. 29/394,589, filed Jun. 18, 2011 (First Named Inventor—Dunn) (4 pages).

Issue Notification entered by the U.S. Patent and Trademark Office on Jan. 11, 2012 for U.S. Appl. No. 29/394,589, filed Jun. 18, 2011 (First Named Inventor—Dunn) (1 page).

Specification, Claims, and Drawings entered by the U.S. Patent and Trademark Office on Jun. 18, 2011 for U.S. Appl. No. 29/394,590, filed Jun. 18, 2011 (First Named Inventor—Dunn) (14 pages).

Notice of Allowance and Fees Due entered by the U.S. Patent and Trademark Office on Sep. 23, 2011 for U.S. Appl. No. 29/394,590, filed Jun. 18, 2011 (First Named Inventor—Dunn) (7 pages).

Supplemental Notice of Allowability entered by the U.S. Patent and Trademark Office on Oct. 25, 2011 for U.S. Appl. No. 29/394,590, filed Jun. 18, 2011 (First Named Inventor—Dunn) (2 pages).

Issue Notification entered by the U.S. Patent and Trademark Office on Jan. 4, 2012 for U.S. Appl. No. 29/394,590, filed Jun. 18, 2011 (First Named Inventor—Dunn) (1 page).

Specification, Claims, and Drawings entered by the U.S. Patent and Trademark Office on Jun. 18, 2011 for U.S. Appl. No. 29/394,591, filed Jun. 18, 2011 (First Named Inventor—Dunn) (10 pages).

Notice of Allowance and Fees Due entered by the U.S. Patent and Trademark Office on Sep. 19, 2011 for U.S. Appl. No. 29/394,591, filed Jun. 18, 2011 (First Named Inventor—Dunn) (7 pages).

Supplemental Notice of Allowability entered by the U.S. Patent and Trademark Office on Oct. 12, 2011 for U.S. Appl. No. 29/394,591, filed Jun. 18, 2011 (First Named Inventor—Dunn) (2 pages).

Issue Notification entered by the U.S. Patent and Trademark Office on Jan. 11, 2012 for U.S. Appl. No. 29/394,591, filed Jun. 18, 2011 (First Named Inventor—Dunn) (1 page).

Specification, Claims, and Drawings entered by the U.S. Patent and Trademark Office on Jun. 18, 2011 for U.S. Appl. No. 29/394,592, filed Jun. 18, 2011 (First Named Inventor—Dunn) (18 pages).

Requirement for Restriction/Election entered by the U.S. Patent and Trademark Office on Sep. 22, 2011 for U.S. Appl. No. 29/394,592, filed Jun. 18, 2011 (First Named Inventor—Dunn) (5 pages).

Response to Restriction Requirement entered by the U.S. Patent and Trademark Office on Oct. 27, 2011 for U.S. Appl. No. 29/394,592, filed Jun. 18, 2011 (First Named Inventor—Dunn) (2 pages).

Notice of Allowance and Fees Due entered by the U.S. Patent and Trademark Office on Dec. 20, 2011 for U.S. Appl. No. 29/394,592, filed Jun. 18, 2011 (First Named Inventor—Dunn) (9 pages).

Specification, Claims, and Drawings entered by the U.S. Patent and Trademark Office on Jun. 18, 2011 for U.S. Appl. No. 29/394,593, filed Jun. 18, 2011 (First Named Inventor—Dunn) (12 pages).

Notice of Allowance and Fees Due entered by the U.S. Patent and Trademark Office on Sep. 20, 2011 for U.S. Appl. No. 29/394,593, filed Jun. 18, 2011 (First Named Inventor—Dunn) (7 pages).

Supplemental Notice of Allowability entered by the U.S. Patent and Trademark Office on Oct. 12, 2011 for U.S. Appl. No. 29/394,593, filed Jun. 18, 2011 (First Named Inventor—Dunn) (2 pages).

Issue Notification entered by the U.S. Patent and Trademark Office on Jan. 11, 2012 for U.S. Appl. No. 29/394,593, filed Jun. 18, 2011 (First Named Inventor—Dunn) (1 page).

Specification, Claims, and Drawings entered by the U.S. Patent and Trademark Office on Jun. 18, 2011 for U.S. Appl. No. 29/394,594, filed Jun. 18, 2011 (First Named Inventor—Dunn) (7 pages).

Notice of Allowance and Fees Due entered by the U.S. Patent and Trademark Office on Sep. 23, 2011 for U.S. Appl. No. 29/394,594, filed Jun. 18, 2011 (First Named Inventor—Dunn) (7 pages).

Supplemental Notice of Allowability entered by the U.S. Patent and Trademark Office on Nov. 29, 2011 for U.S. Appl. No. 29/394,594, filed Jun. 18, 2011 (First Named Inventor—Dunn) (2 pages).

Issue Notification entered by the U.S. Patent and Trademark Office on Jan. 11, 2012 for U.S. Appl. No. 29/394,594, filed Jun. 18, 2011 (First Named Inventor—Dunn) (1 page).

Specification, Claims, and Drawings entered by the U.S. Patent and Trademark Office on Jun. 18, 2011 for U.S. Appl. No. 29/394,595, filed Jun. 18, 2011 (First Named Inventor—Dunn) (12 pages).

Notice of Allowance and Fees Due entered by the U.S. Patent and Trademark Office on Sep. 23, 2011 for U.S. Appl. No. 29/394,595, filed Jun. 18, 2011 (First Named Inventor—Dunn) (7 pages).

Supplemental Notice of Allowability entered by the U.S. Patent and Trademark Office on Oct. 26, 2011 for U.S. Appl. No. 29/394,595, filed Jun. 18, 2011 (First Named Inventor—Dunn) (2 pages).

Issue Notification entered by the U.S. Patent and Trademark Office on Jan. 11, 2012 for U.S. Appl. No. 29/394,595, filed Jun. 18, 2011 (First Named Inventor—Dunn) (1 page).

Specification, Claims, and Drawings entered by the U.S. Patent and Trademark Office on Jun. 18, 2011 for U.S. Appl. No. 29/394,596, filed Jun. 18, 2011 (First Named Inventor—Dunn) (23 pages).

Requirement for Restriction/Election entered by the U.S. Patent and Trademark Office on Sep. 29, 2011 for U.S. Appl. No. 29/394,596, filed Jun. 18, 2011 (First Named Inventor—Dunn) (5 pages).



Response to Restriction Requirement entered by the U.S. Patent and Trademark Office on Nov. 4, 2011 for U.S. Appl. No. 29/394,596, filed Jun. 18, 2011 (First Named Inventor—Dunn) (2 pages).

Notice of Allowance and Fees Due entered by the U.S. Patent and Trademark Office on Dec. 13, 2011 for U.S. Appl. No. 29/394,596, filed Jun. 18, 2011 (First Named Inventor—Dunn) (9 pages).

Specification, Claims, and Drawings entered by the U.S. Patent and Trademark Office on Jun. 18, 2011 for U.S. Appl. No. 29/394,597, filed Jun. 18, 2011 (First Named Inventor—Dunn) (29 pages).

Requirement for Restriction/Election entered by the U.S. Patent and Trademark Office on Sep. 29, 2011 for U.S. Appl. No. 29/394,597, filed Jun. 18, 2011 (First Named Inventor—Dunn) (5 pages).

Response to Restriction Requirement entered by the U.S. Patent and Trademark Office on Nov. 29, 2011 for U.S. Appl. No. 29/394,597, filed Jun. 18, 2011 (First Named Inventor—Dunn) (2 pages).

Notice of Allowance and Fees Due entered by the U.S. Patent and Trademark Office on Jan. 5, 2012 for U.S. Appl. No. 29/394,597, filed Jun. 18, 2011 (First Named Inventor—Dunn) (8 pages).

Specification, Claims, and Drawings entered by the U.S. Patent and Trademark Office on Jun. 18, 2011 for U.S. Appl. No. 29/394,598, filed Jun. 18, 2011 (First Named Inventor—Dunn) (7 pages).

Notice of Allowance and Fees Due entered by the U.S. Patent and Trademark Office on Sep. 19, 2011 for U.S. Appl. No. 29/394,598, filed Jun. 18, 2011 (First Named Inventor—Dunn) (7 pages).

Supplemental Notice of Allowability entered by the U.S. Patent and Trademark Office on Oct. 25, 2011 for U.S. Appl. No. 29/394,598, filed Jun. 18, 2011 (First Named Inventor—Dunn) (2 pages).

Issue Notification entered by the U.S. Patent and Trademark Office on Jan. 4, 2012 for U.S. Appl. No. 29/394,598, filed Jun. 18, 2011 (First Named Inventor—Dunn) (1 page).

Specification, Claims, and Drawings entered by the U.S. Patent and Trademark Office on Jun. 18, 2011 for U.S. Appl. No. 29/394,599, filed Jun. 18, 2011 (First Named Inventor—Dunn) (8 pages).

Notice of Allowance and Fees Due entered by the U.S. Patent and Trademark Office on Sep. 23, 2011 for U.S. Appl. No. 29/394,599, filed Jun. 18, 2011 (First Named Inventor—Dunn) (7 pages).

Supplemental Notice of Allowability entered by the U.S. Patent and Trademark Office on Oct. 26, 2011 for U.S. Appl. No. 29/394,599, filed Jun. 18, 2011 (First Named Inventor—Dunn) (2 pages).

Issue Notification entered by the U.S. Patent and Trademark Office on Jan. 11, 2012 for U.S. Appl. No. 29/394,599, filed Jun. 18, 2011 (First Named Inventor—Dunn) (1 page).

Specification, Claims, and Drawings entered by the U.S. Patent and Trademark Office on Jun. 18, 2011 for U.S. Appl. No. 29/394,600, filed Jun. 18, 2011 (First Named Inventor—Dunn) (12 pages).

Requirement for Restriction/Election entered by the U.S. Patent and Trademark Office on Sep. 29, 2011 for U.S. Appl. No. 29/394,600, filed Jun. 18, 2011 (First Named Inventor—Dunn) (5 pages).

Response to Restriction Requirement entered by the U.S. Patent and Trademark Office on Nov. 17, 2011 for U.S. Appl. No. 29/394,600, filed Jun. 18, 2011 (First Named Inventor—Dunn) (2 pages).

Notice of Allowance and Fees Due entered by the U.S. Patent and Trademark Office on Dec. 12, 2011 for U.S. Appl. No. 29/394,600, filed Jun. 18, 2011 (First Named Inventor—Dunn) (9 pages).

Amendment and Response to Notice of Allowability entered by the U.S. Patent and Trademark Office on Feb. 2, 2012 for U.S. Appl. No. 29/394,600, filed Jun. 18, 2011 (First Named Inventor—Dunn) (9 pages).

Issue Notification entered by the U.S. Patent and Trademark Office on Feb. 29, 2012 for U.S. Appl. No. 29/394,600, filed Jun. 18, 2011 (First Named Inventor—Dunn) (1 page).

Specification, Claims, and Drawings entered by the U.S. Patent and Trademark Office on Jan. 19, 2012 for U.S. Appl. No. 29/411,283, filed Jan. 19, 2012 (First Named Inventor—Dunn) (7 pages).

Specification, Claims, and Drawings entered by the U.S. Patent and Trademark Office on Jan. 19, 2012 for U.S. Appl. No. 29/411,284, filed Jan. 19, 2012 (First Named Inventor—Dunn) (7 pages).

Specification, Claims, and Drawings entered by the U.S. Patent and Trademark Office on Jan. 19, 2012 for U.S. Appl. No. 29/411,285, filed Jan. 19, 2012 (First Named Inventor—Dunn) (7 pages).

Notice of Allowance entered by the U.S. Patent and Trademark Office on Apr. 9, 2012 for U.S. Appl. No. 29/411,285, filed Jan. 19, 2012 (First Named Inventor—Dunn) (7 pages).

Specification, Claims, and Drawings entered by the U.S. Patent and Trademark Office on Jan. 19, 2012 for U.S. Appl. No. 29/411,286, filed Jan. 19, 2012 (First Named Inventor—Dunn) (7 pages).

Notice of Allowance and Fees Due entered by the U.S. Patent and Trademark Office on Mar. 2, 2012 for U.S. Appl. No. 29/411,286, filed Jan. 19, 2012 (First Named Inventor—Dunn) (7 pages).

Specification, Claims, and Drawings entered by the U.S. Patent and Trademark Office on Jan. 19, 2012 for U.S. Appl. No. 29/411,288, filed Jan. 19, 2012 (First Named Inventor—Dunn) (7 pages).

Specification, Claims, and Drawings entered by the U.S. Patent and Trademark Office on Jan. 19, 2012 for U.S. Appl. No. 29/411,291, filed Jan. 19, 2012 (First Named Inventor—Dunn) (7 pages).

Specification, Claims, and Drawings entered by the U.S. Patent and Trademark Office on Jan. 19, 2012 for U.S. Appl. No. 29/411,295, filed Jan. 19, 2012 (First Named Inventor—Dunn) (7 pages).

Specification, Claims, and Drawings entered by the U.S. Patent and Trademark Office on Jan. 19, 2012 for U.S. Appl. No. 29/411,296, filed Jan. 19, 2012 (First Named Inventor—Dunn) (7 pages).

Notice of Allowance and Fees Due entered by the U.S. Patent and Trademark Office on Mar. 20, 2012 for U.S. Appl. No. 29/411,296, filed Jan. 19, 2012 (First Named Inventor—Dunn) (7 pages).

Specification, Claims, and Drawings entered by the U.S. Patent and Trademark Office on Jan. 19, 2012 for U.S. Appl. No. 29/411,297, filed Jan. 19, 2012 (First Named Inventor—Dunn) (7 pages).

Specification, Claims, and Drawings entered by the U.S. Patent and Trademark Office on Jan. 19, 2012 for U.S. Appl. No. 29/411,298, filed Jan. 19, 2012 (First Named Inventor—Dunn) (7 pages).

Specification, Claims, and Drawings entered by the U.S. Patent and Trademark Office on Jan. 19, 2012 for U.S. Appl. No. 29/411,300, filed Jan. 19, 2012 (First Named Inventor—Dunn) (8 pages).

Specification, Claims, and Drawings entered by the U.S. Patent and Trademark Office on Jan. 19, 2012 for U.S. Appl. No. 29/411,302, filed Jan. 19, 2012 (First Named Inventor—Dunn) (8 page).

Specification, Claims, and Drawings entered by the U.S. Patent and Trademark Office on Jan. 19, 2012 for U.S. Appl. No. 29/411,309, filed Jan. 19, 2012 (First Named Inventor—Dunn) (8 pages).

Specification, Claims, and Drawings entered by the U.S. Patent and Trademark Office on Jan. 19, 2012 for U.S. Appl. No. 29/411,311, filed Jan. 19, 2012 (First Named Inventor—Dunn) (8 pages).

Specification, Claims, and Drawings entered by the U.S. Patent and Trademark Office on Jan. 19, 2012 for U.S. Appl. No. 29/411,313, filed Jan. 19, 2012 (First Named Inventor—Dunn) (8 pages).

Specification, Claims, and Drawings entered by the U.S. Patent and Trademark Office on Jan. 19, 2012 for U.S. Appl. No. 29/411,315, filed Jan. 19, 2012 (First Named Inventor—Dunn) (8 pages).

Specification, Claims, and Drawings entered by the U.S. Patent and Trademark Office on Jan. 19, 2012 for U.S. Appl. No. 29/411,316, filed Jan. 19, 2012 (First Named Inventor—Dunn) (8 pages).

Stick'nGo, <http://stickngo.com.au>, Stick'nGo Cables Label, Accessed Nov. 26, 2010.

Fiber Network Tools, <http://www.fibernetnetworktools.com/catalog2.php>, FNT Cables and Assemblies, Accessed Nov. 26, 2010.

NELCO Products Incorporated, <http://www.nelcoproducts.com>, NELCO Blank Flag Tie Markets, Accessed Nov. 26, 2010.

Sunlec International, <http://www.sunlec.com.au>, Sunlec International Cable Sleeves, Accessed Nov. 26, 2010.

The Cable Label Co., <http://www.thecablelabelco.co.uk/buy.php>, Buy Cable Bug Labels in Bags, Accessed Nov. 26, 2010.

The Storage Store, <http://www.thestoragelabel.com>, Computer Cable Flags, Accessed Nov. 26, 2010.

Non-final Office Action entered by the U.S. Patent and Trademark Office on Mar. 6, 2012 for U.S. Appl. No. 29/411,283, filed Jan. 19, 2012 (First Named Inventor—Dunn) (5 pages).

Non-final Office Action entered by the U.S. Patent and Trademark Office on Mar. 26, 2012 for U.S. Appl. No. 29/411,284, filed Jan. 19, 2012 (First Named Inventor—Dunn) (5 pages).

Notice of Allowance and Fees Due entered by the U.S. Patent and Trademark Office on Mar. 6, 2012 for U.S. Appl. No. 29/411,288, filed Jan. 19, 2012 (First Named Inventor—Dunn) (7 pages).

Notice of Allowance entered by the U.S. Patent and Trademark Office on Apr. 4, 2012 for U.S. Appl. No. 29/411,291, filed Jan. 19, 2012 (First Named Inventor—Dunn) (7 pages).



# US D667,751 S

Page 5

---

Notice of Allowance entered by the U.S. Patent and Trademark Office on Apr. 4, 2012 for U.S. Patent Application No. 29/411,295, filed Jan. 19, 2012 (First Named Inventor—Dunn) (7 pages).

Notice of Allowance entered by the U.S. Patent and Trademark Office on Apr. 2, 2012 for U.S. Appl. No. 29/411,298, filed Jan. 19, 2012 (First Named Inventor—Dunn) (7 pages).

Notice of Allowance entered by the U.S. Patent and Trademark Office on Apr. 2, 2012 for U.S. Appl. No. 29/411,300, filed Jan. 19, 2012 (First Named Inventor—Dunn) (7 pages).

Office Action entered by the U.S. Patent and Trademark Office on Mar. 30, 2012 for U.S. Appl. No. 29/411,309, filed Jan. 19, 2012 (First Named Inventor—Dunn) (6 pages).

Notice of Allowance entered by the U.S. Patent and Trademark Office on Apr. 4, 2012 for U.S. Appl. No. 29/411,311, filed Jan. 19, 2012 (First Named Inventor—Dunn) (7 pages).

Specification, Claims, and Drawings entered by the U.S. Patent and Trademark Office on Jan. 19, 2012 for U.S. Appl. No. 29/411,277, filed Jan. 19, 2012 (First Named Inventor—Dunn) (7 pages).

Notice of Allowance and Fees Due entered by the U.S. Patent and Trademark Office on Mar. 2, 2012 for U.S. Appl. No. 29/411,277, filed Jan. 19, 2012 (First Named Inventor—Dunn) (7 pages).

Specification, Claims, and Drawings entered by the U.S. Patent and Trademark Office on Jan. 19, 2012 for U.S. Appl. No. 29/411,282, filed Jan. 19, 2012 (First Named Inventor—Dunn) (8 pages).

\* cited by examiner

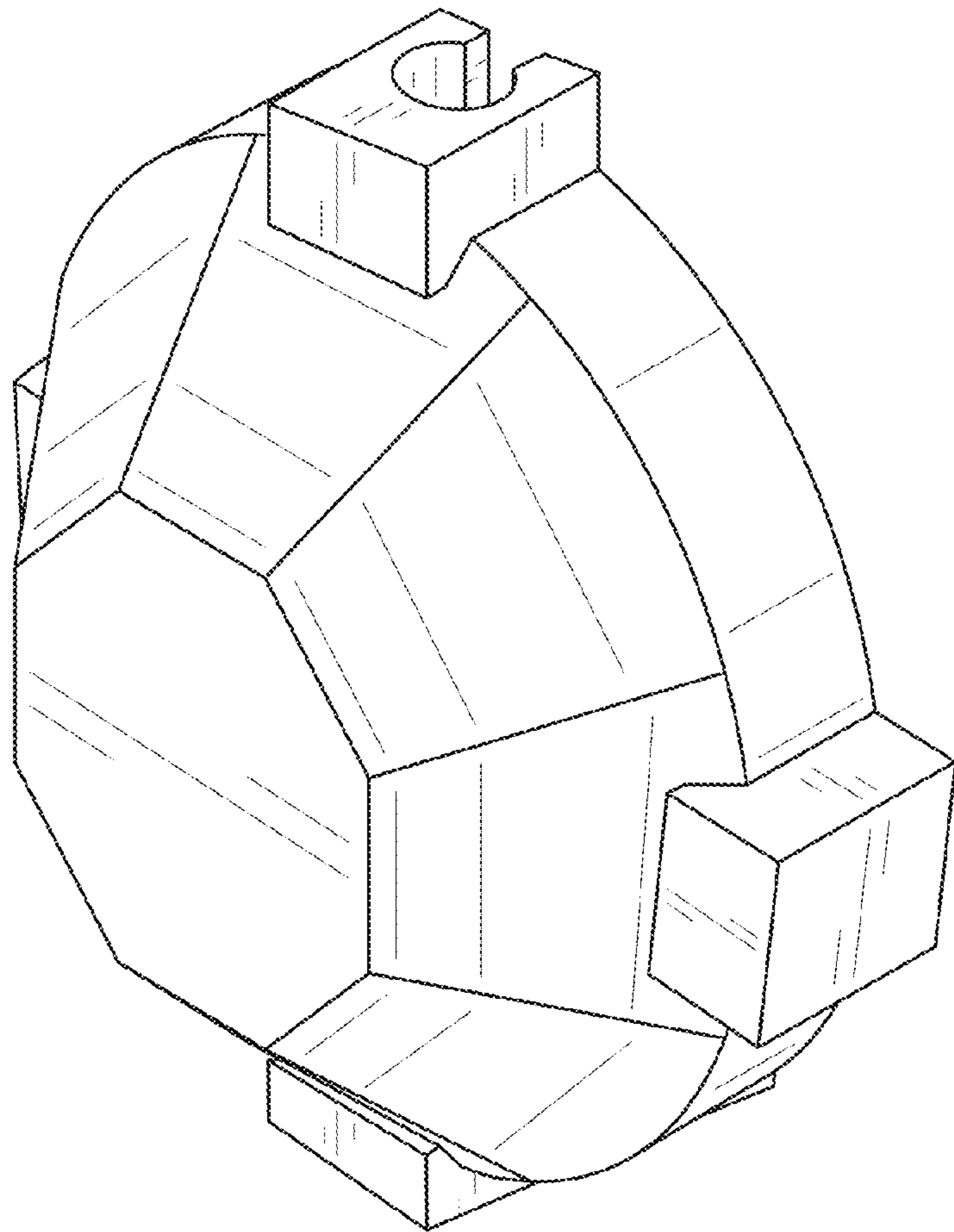


FIG. 1

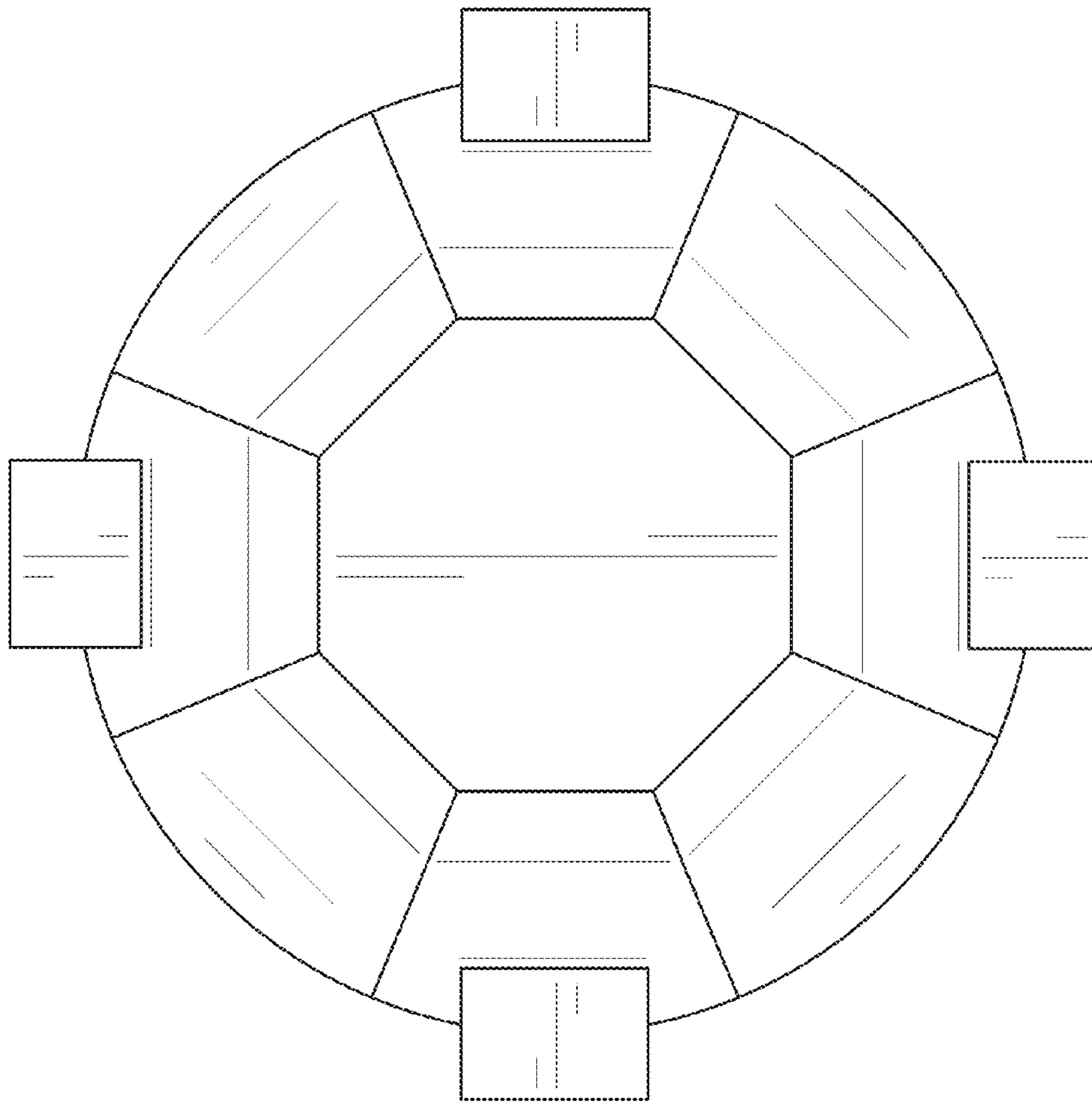


FIG. 2

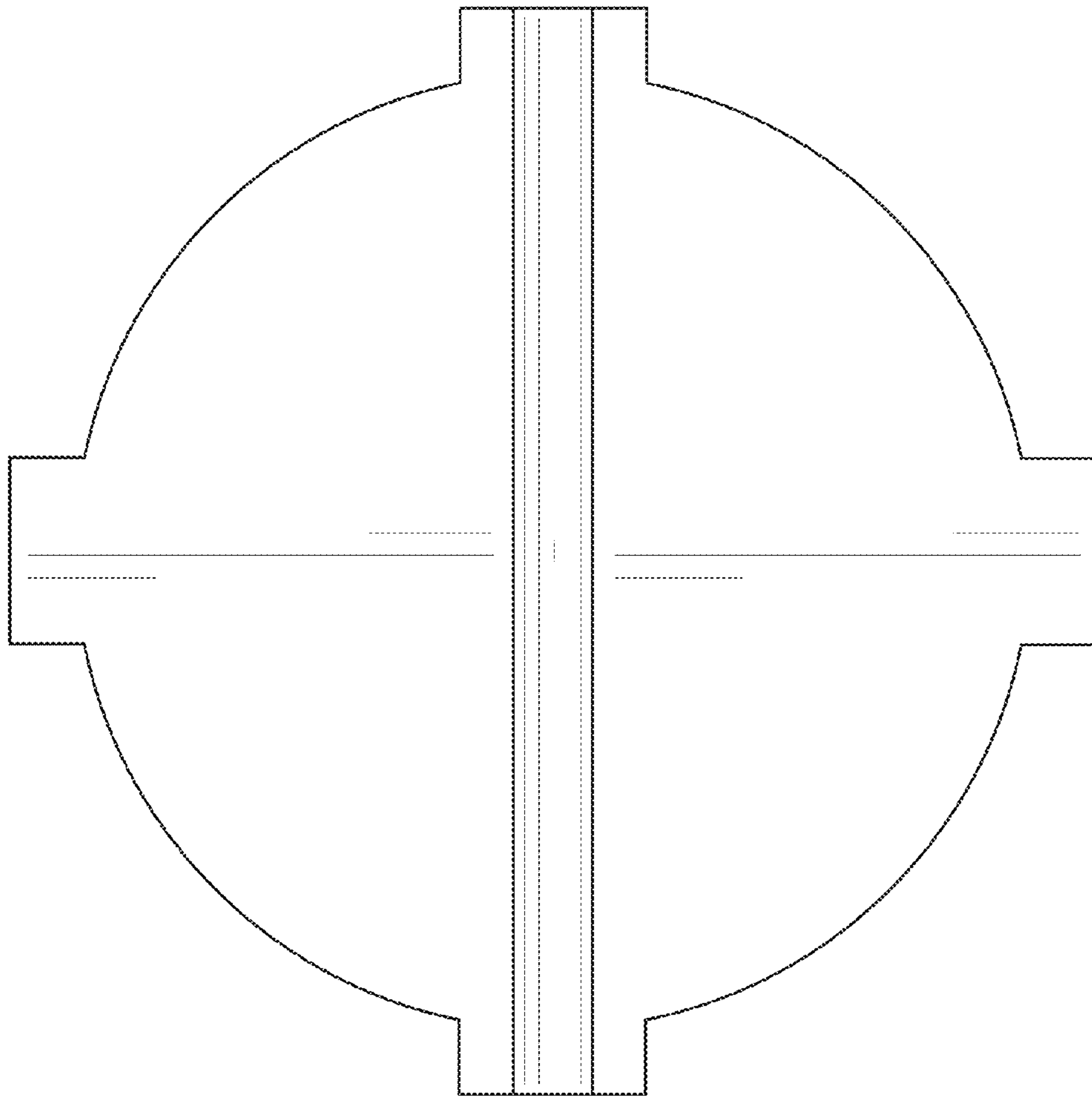


FIG. 3



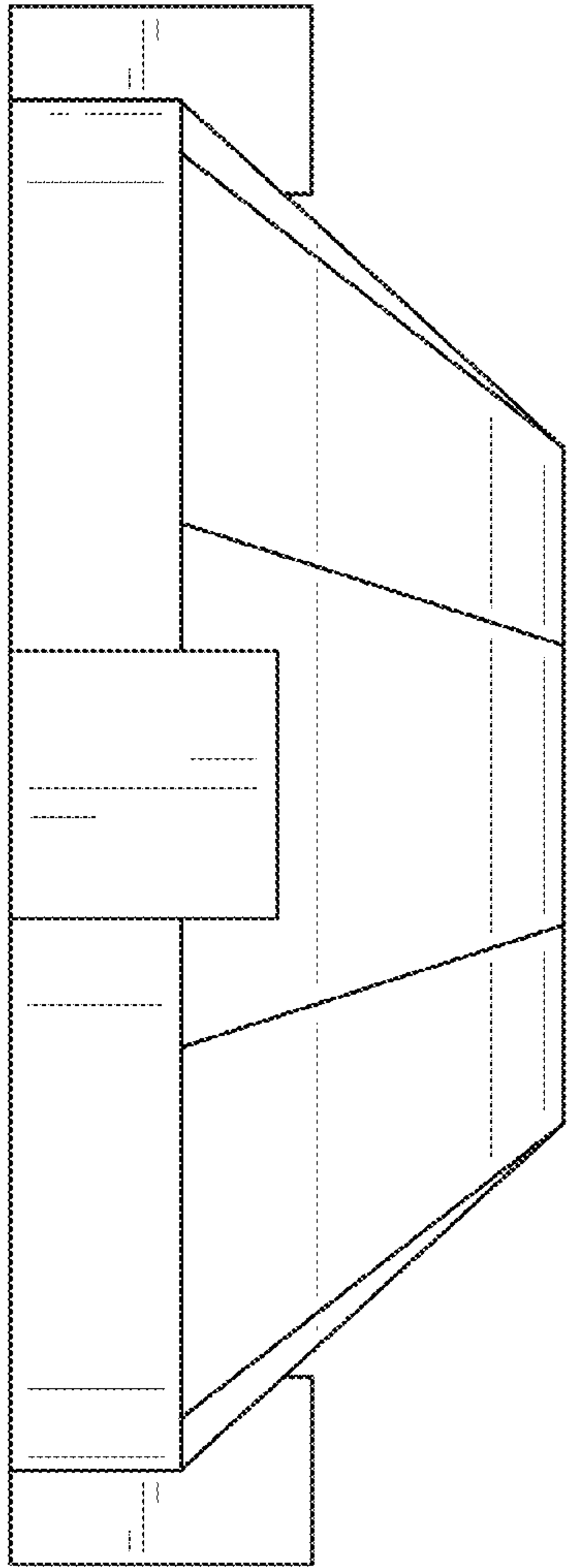


FIG. 4

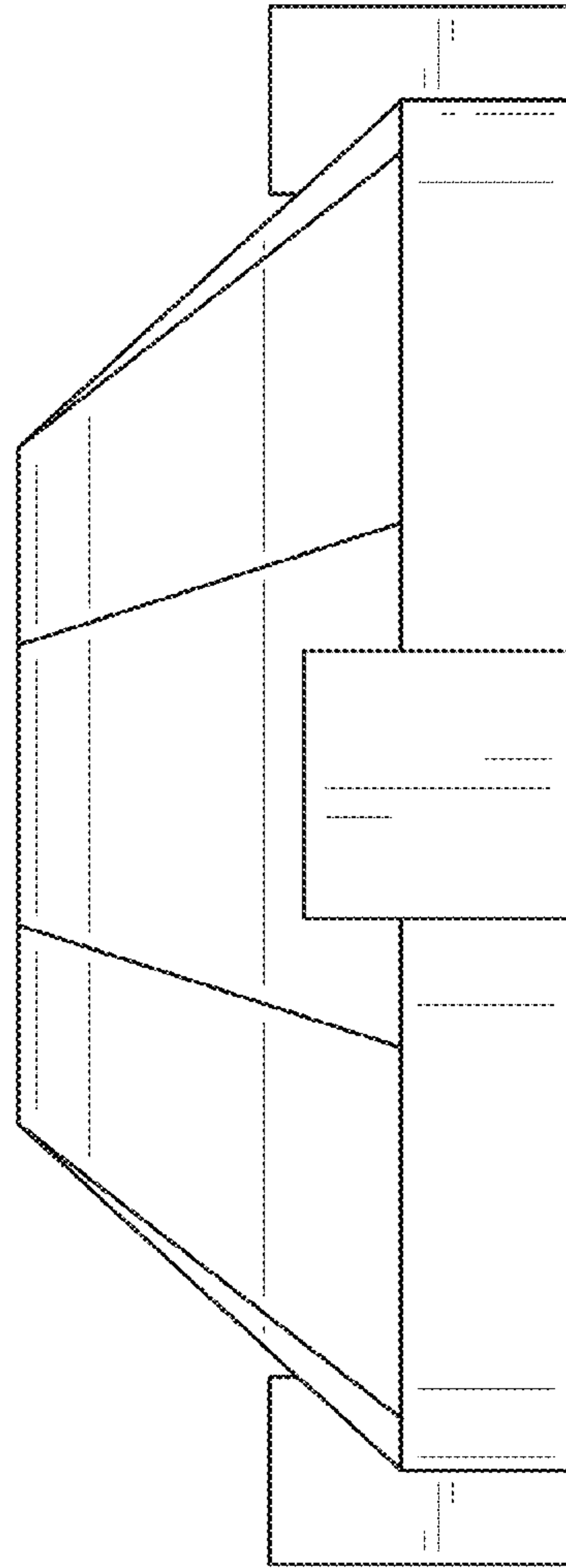


FIG. 5

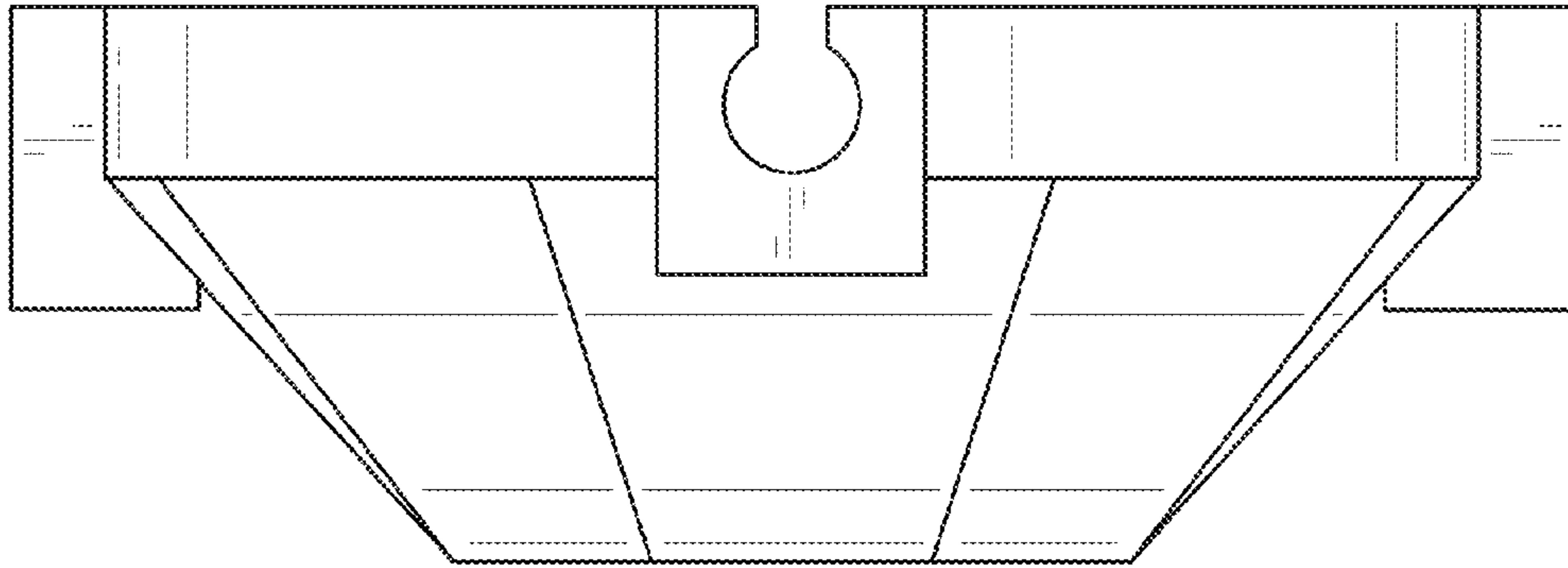


FIG. 6

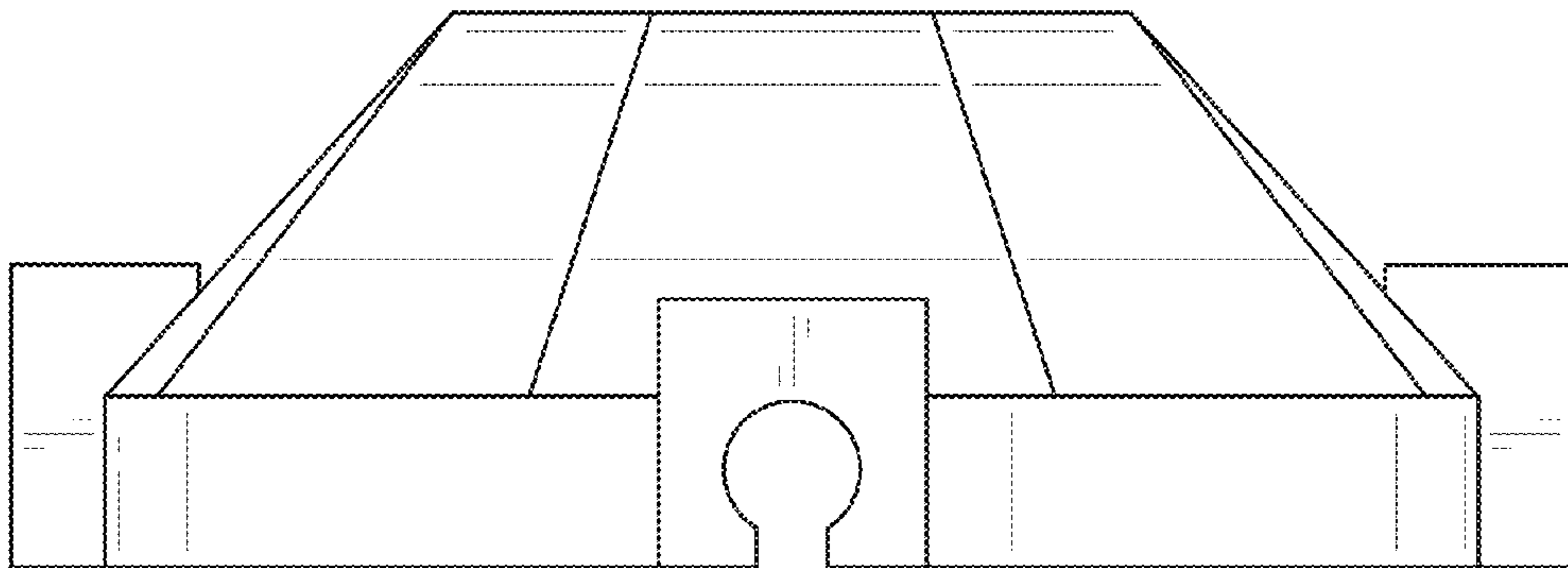


FIG. 7