

US00D667750S

(12) **United States Design Patent**  
**McKay**

(10) **Patent No.:** **US D667,750 S**

(45) **Date of Patent:** **\*\* Sep. 25, 2012**

(54) **VASE**

(75) **Inventor:** **Nicholas D. McKay**, Atlanta, GA (US)

(73) **Assignee:** **Enviroscent, Inc.**, Atlanta, GA (US)

(\*\*) **Term:** **14 Years**

(21) **Appl. No.:** **29/401,880**

(22) **Filed:** **Sep. 16, 2011**

(51) **LOC (9) Cl.** ..... **11-02**

(52) **U.S. Cl.** ..... **D11/143; D23/366**

(58) **Field of Classification Search** ..... D6/403-405,  
D6/556-558; D8/1; D11/143-156, 164;  
D19/77, 80, 81, 84; D23/355, 366-369;  
D25/100; D26/9-11, 16, 19; D34/1, 2, 4-6;  
D99/5, 19; 47/17, 32.4, 32.5, 32.7, 33, 39,  
47/41.01, 41.1, 41.11-41.15, 44-47, 63,  
47/65.5, 65.9, 66.1, 66.2, 66.6, 66.7, 67-71  
See application file for complete search history.

(56) **References Cited**

**U.S. PATENT DOCUMENTS**

D248,500 S \* 7/1978 Ulrich et al. .... D26/9  
D256,110 S \* 7/1980 Dunbar et al. .... D11/153  
D486,901 S \* 2/2004 Sorribes ..... D23/366

D510,991 S \* 10/2005 Harbutt et al. .... D23/366  
D534,640 S \* 1/2007 Helf et al. .... D23/366  
D586,255 S \* 2/2009 Rashid et al. .... D11/152  
D590,054 S \* 4/2009 Hasik et al. .... D23/366  
D633,229 S \* 2/2011 McWillis ..... D26/9  
D652,131 S \* 1/2012 Ritzenhoff ..... D23/366

**FOREIGN PATENT DOCUMENTS**

GB 3012806 \* 5/2003

\* cited by examiner

*Primary Examiner* — Garth Rademaker

(74) *Attorney, Agent, or Firm* — Ballard Spahr LLP

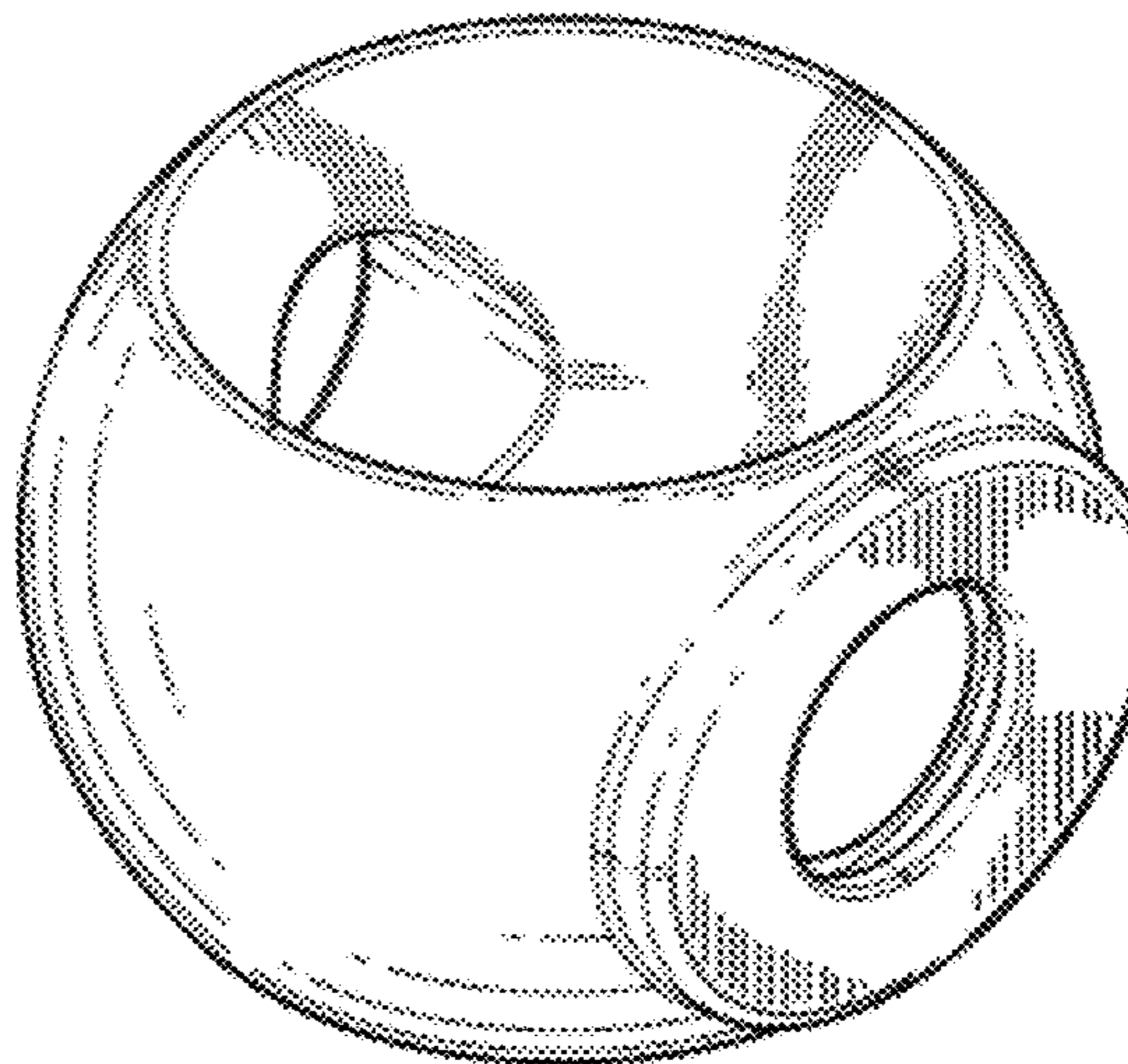
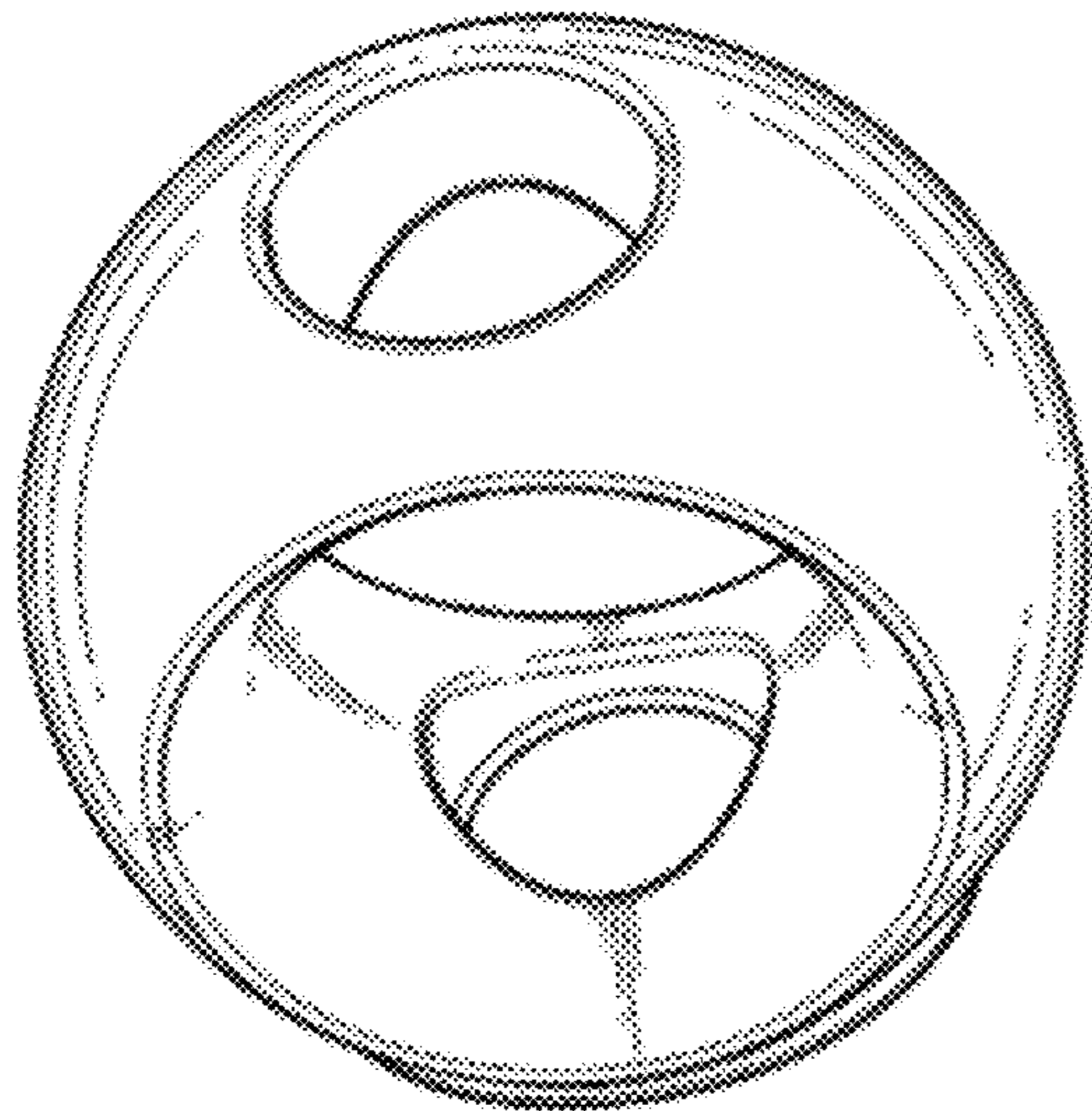
(57) **CLAIM**

The ornamental design for a vase, as shown and described.

**DESCRIPTION**

FIG. 1 is a top, front perspective view of a vase showing the present invention;  
FIG. 2 is a top, side perspective view of the vase of FIG. 1;  
FIG. 3 is a bottom, front perspective of the vase of FIG. 1;  
FIG. 4 is a bottom, side perspective of the vase of FIG. 1;  
FIG. 5 is a front elevational view of the vase of FIG. 1, the rear elevational view being identical thereto;  
FIG. 6 is a right side elevational view of the vase of FIG. 1, the left side elevational view being identical thereto;  
FIG. 7 is a top plan view of the vase of FIG. 1; and,  
FIG. 8 is a bottom plan view of the vase of FIG. 1.

**1 Claim, 3 Drawing Sheets**



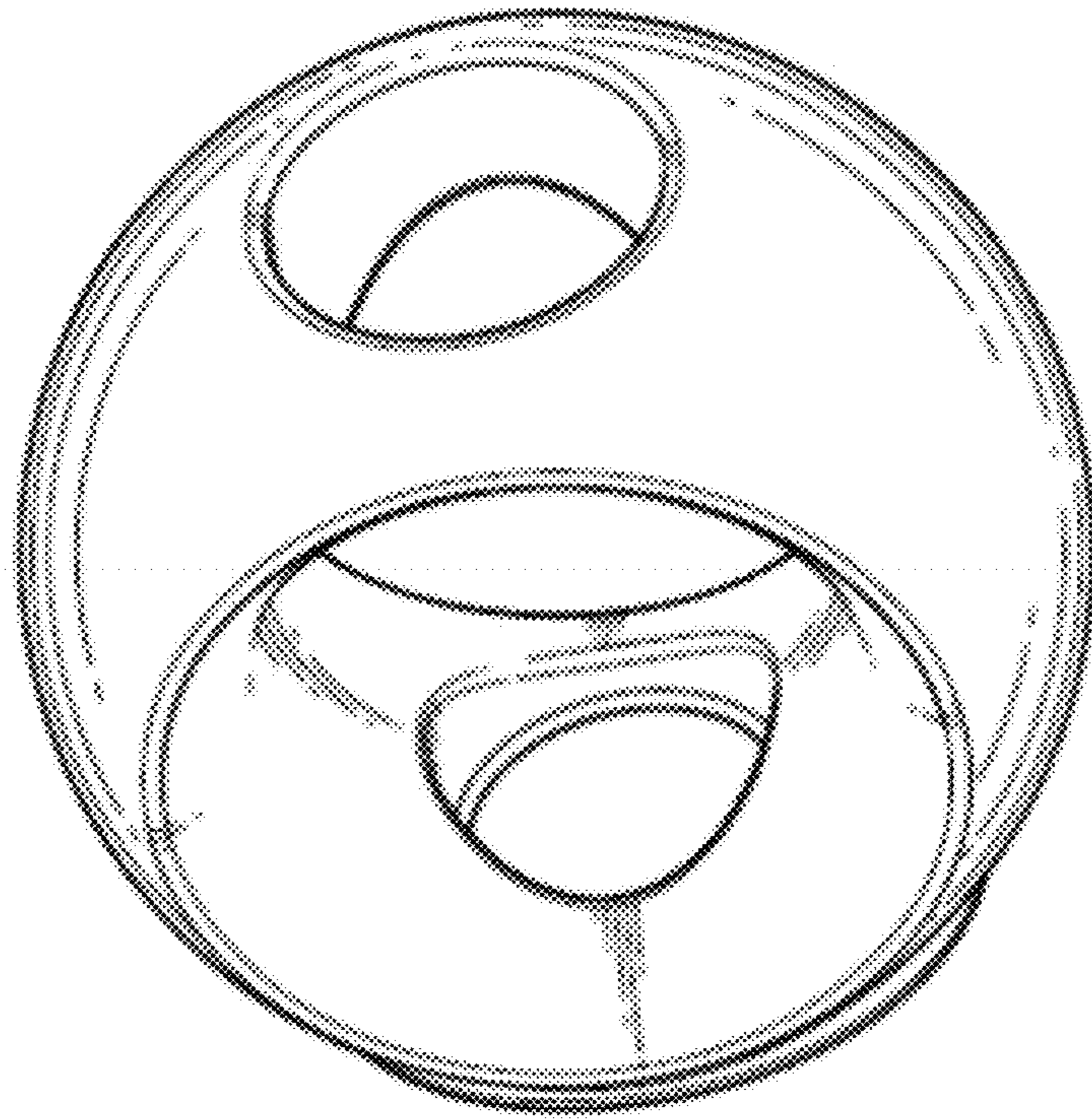


FIG. 1

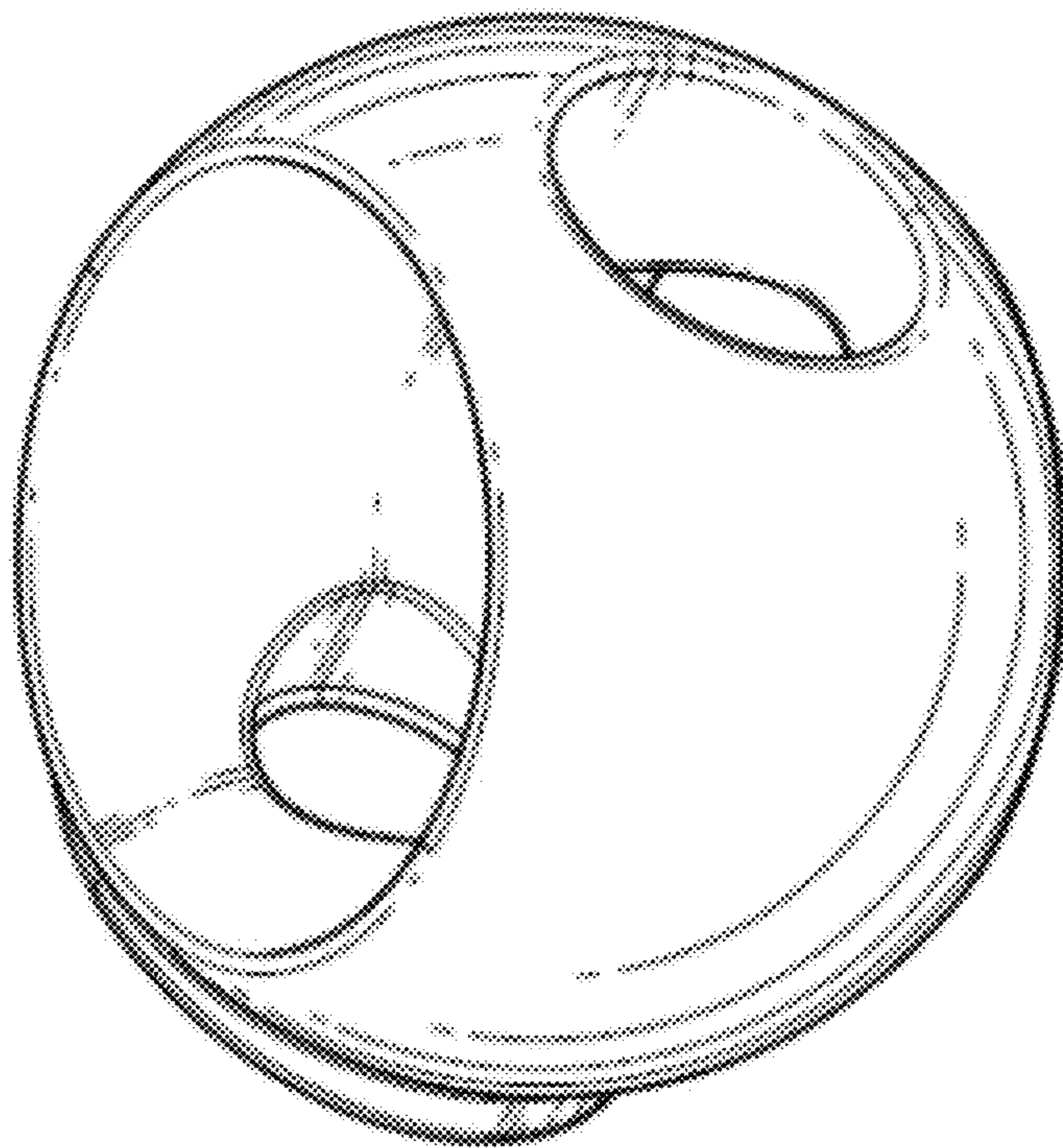


FIG. 2

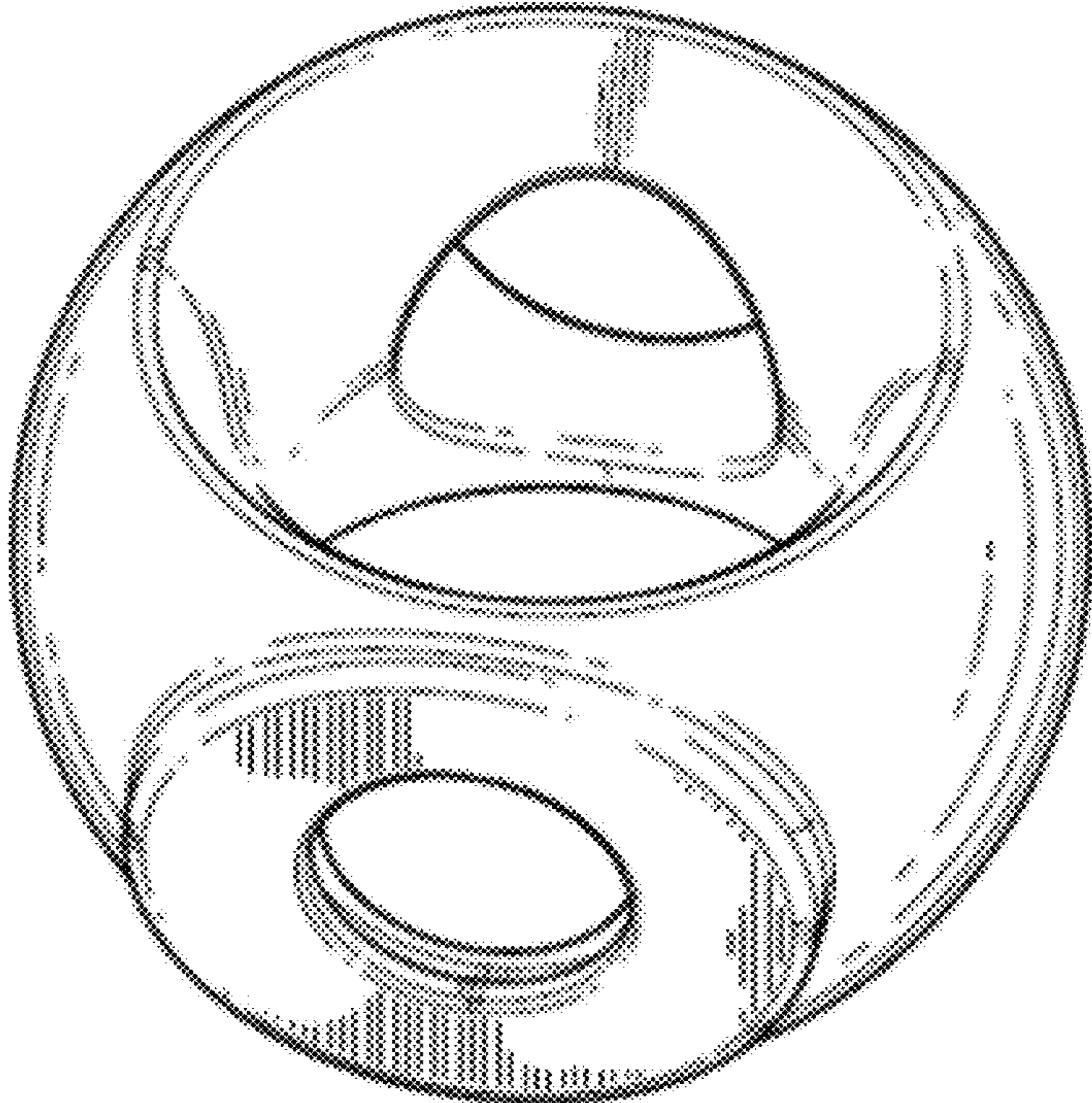


FIG. 3

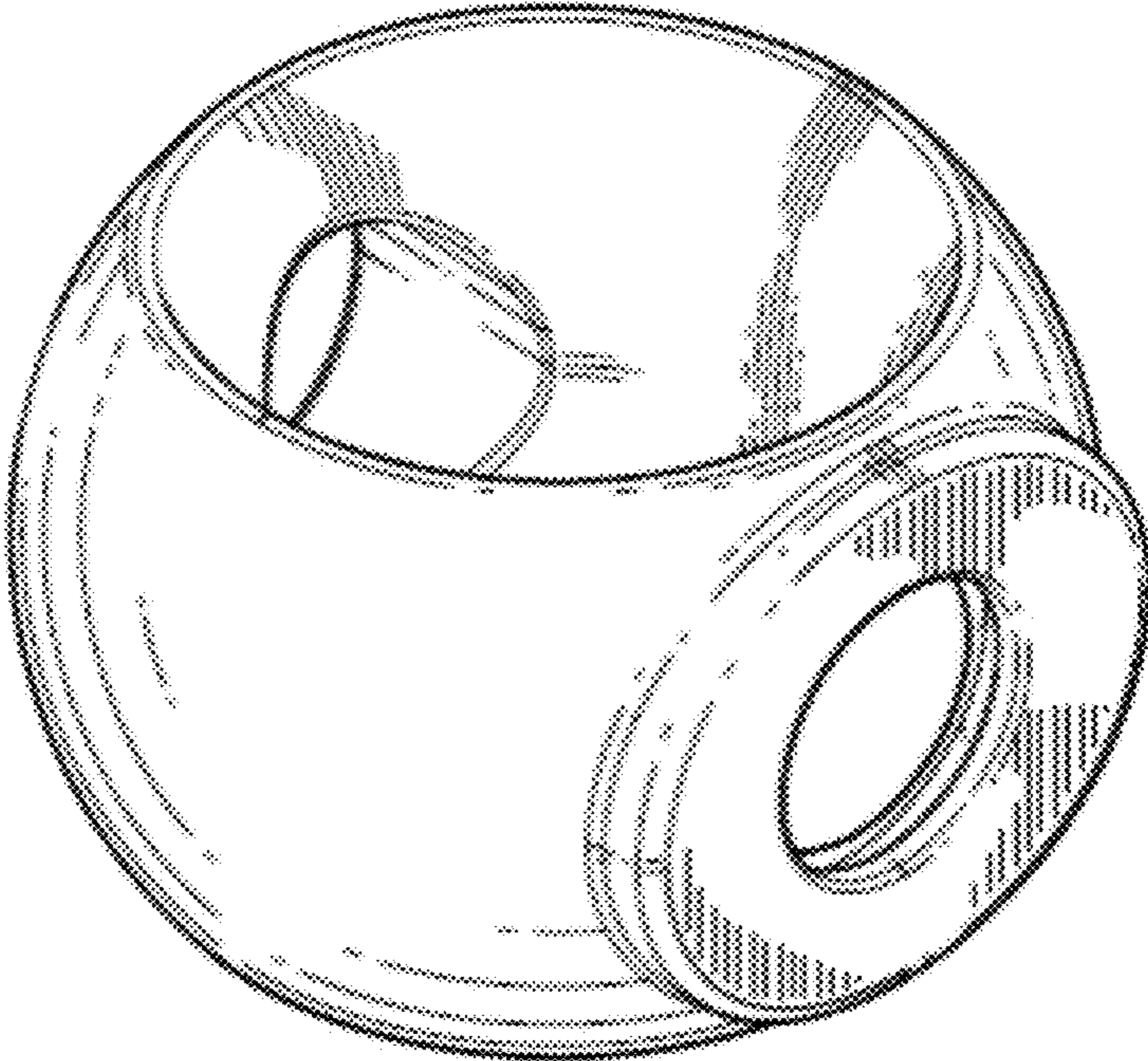


FIG. 4

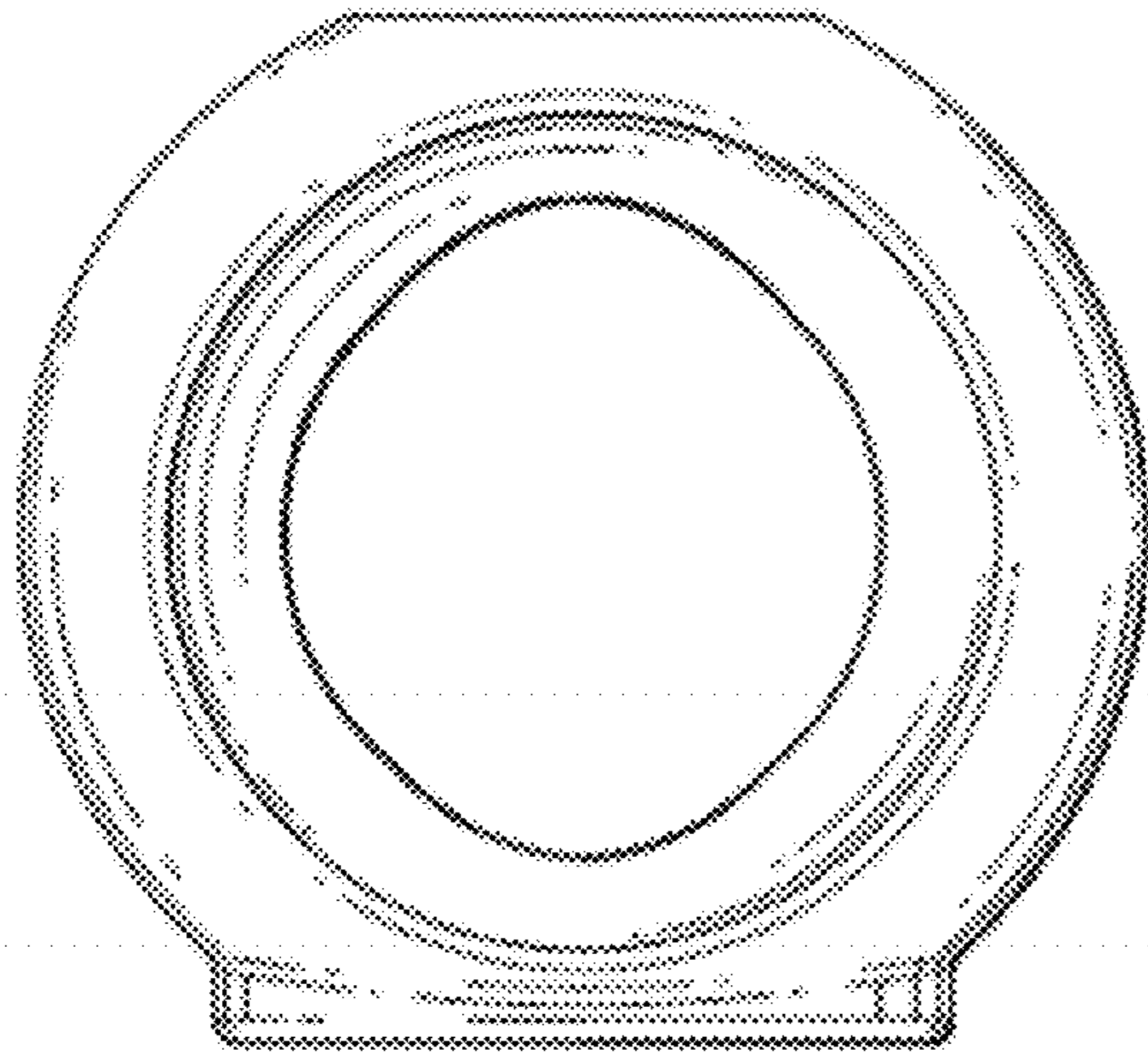


FIG. 5

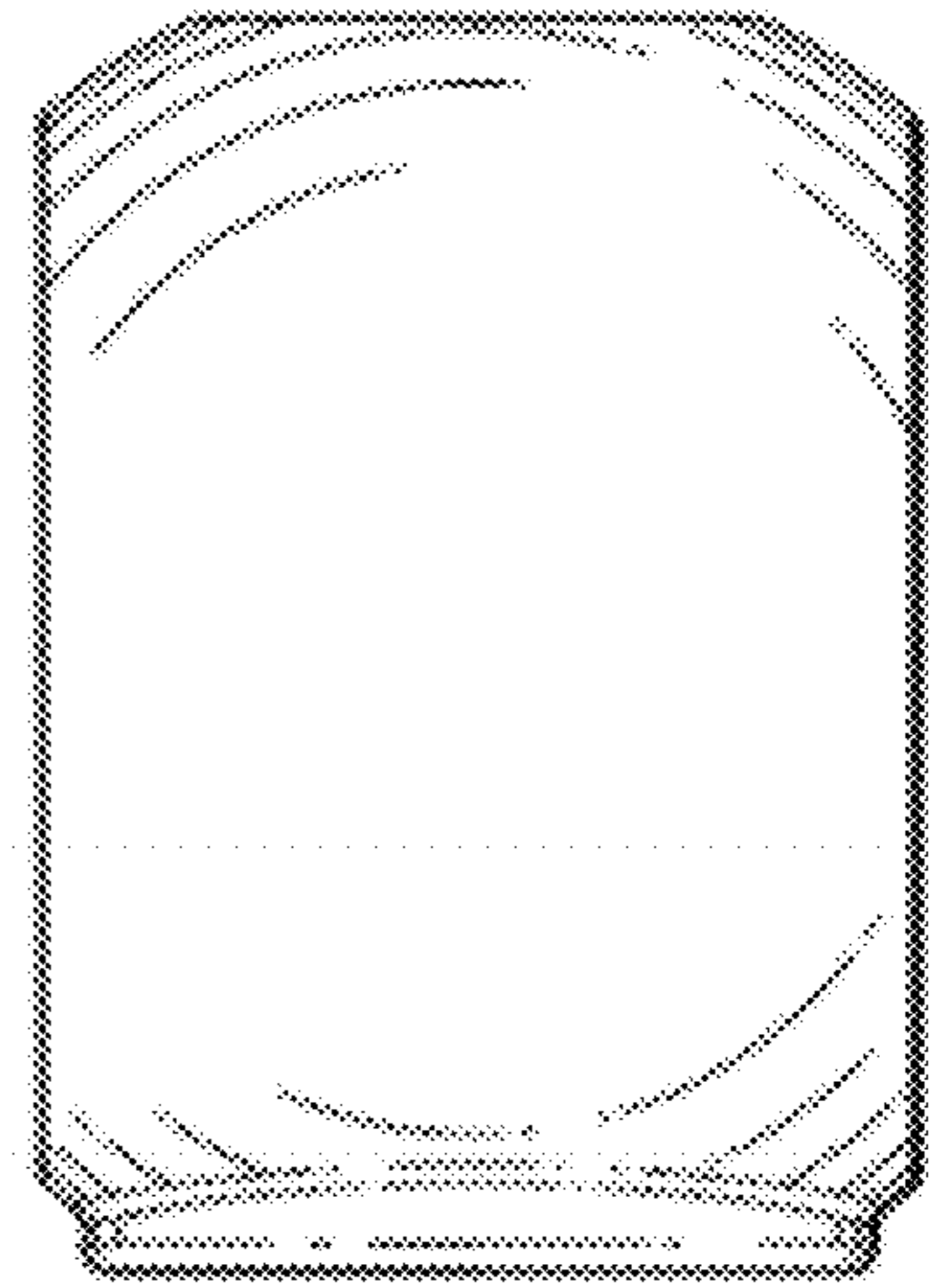


FIG. 6

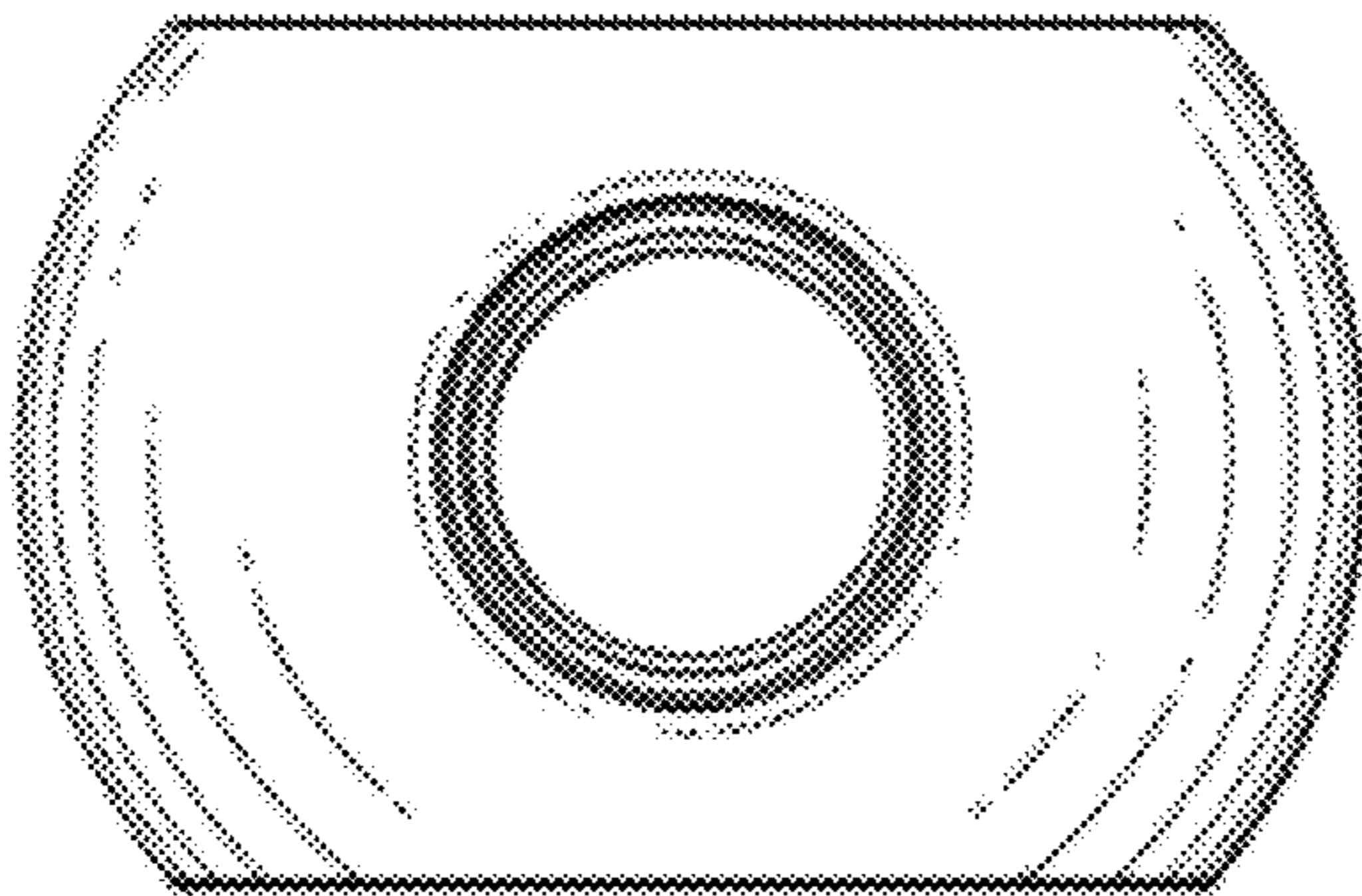


FIG. 7

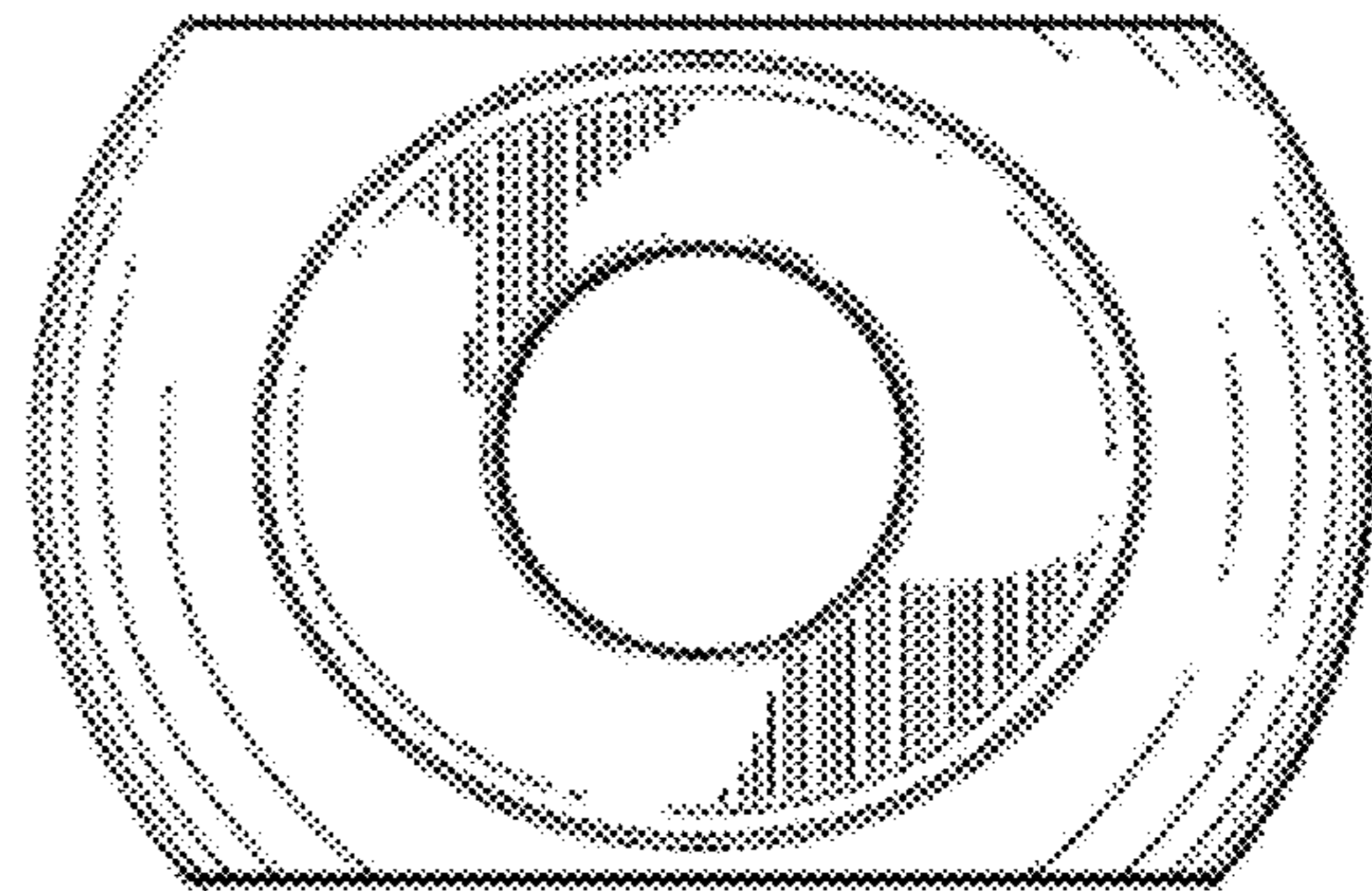


FIG. 8