



US00D667744S

(12) **United States Design Patent**
Lee et al.

(10) **Patent No.:** **US D667,744 S**
(45) **Date of Patent:** **** Sep. 25, 2012**

(54) **ELECTRONIC SCALE**

(75) Inventors: **Nari Lee**, Seoul (KR); **Yuntae Jung**, Seoul (KR)

(73) Assignee: **LG Electronics Inc.**, Seoul (KR)

(**) Term: **14 Years**

(21) Appl. No.: **29/398,695**

(22) Filed: **Aug. 3, 2011**

(30) **Foreign Application Priority Data**

Feb. 9, 2011 (KR) 30-2011-0004818

(51) **LOC (9) Cl.** **10-04**

(52) **U.S. Cl.** **D10/91**

(58) **Field of Classification Search** D10/88-91;
177/25.13-25.18, 177-182, 211-214, 210 R,
177/210 C, 210 GM, 210 FP, 210 PP, 210 EM,
177/148, 236-245, DIG. 3; 235/379, 383

See application file for complete search history.

(56) **References Cited**

U.S. PATENT DOCUMENTS

6,604,681 B1 * 8/2003 Burke et al. 235/383

* cited by examiner

Primary Examiner — Antoine D Davis

(74) *Attorney, Agent, or Firm* — Morgan, Lewis & Bockius LLP

(57) **CLAIM**

The ornamental design for a electronic scale, as shown and described.

DESCRIPTION

FIG. 1 is a perspective view of a electronic scale showing our new design;

FIG. 2 is a front view thereof;

FIG. 3 is a rear view thereof;

FIG. 4 is a left side view thereof;

FIG. 5 is a right side view thereof;

FIG. 6 is a top plan view thereof; and,

FIG. 7 is a bottom plan view thereof.

1 Claim, 5 Drawing Sheets

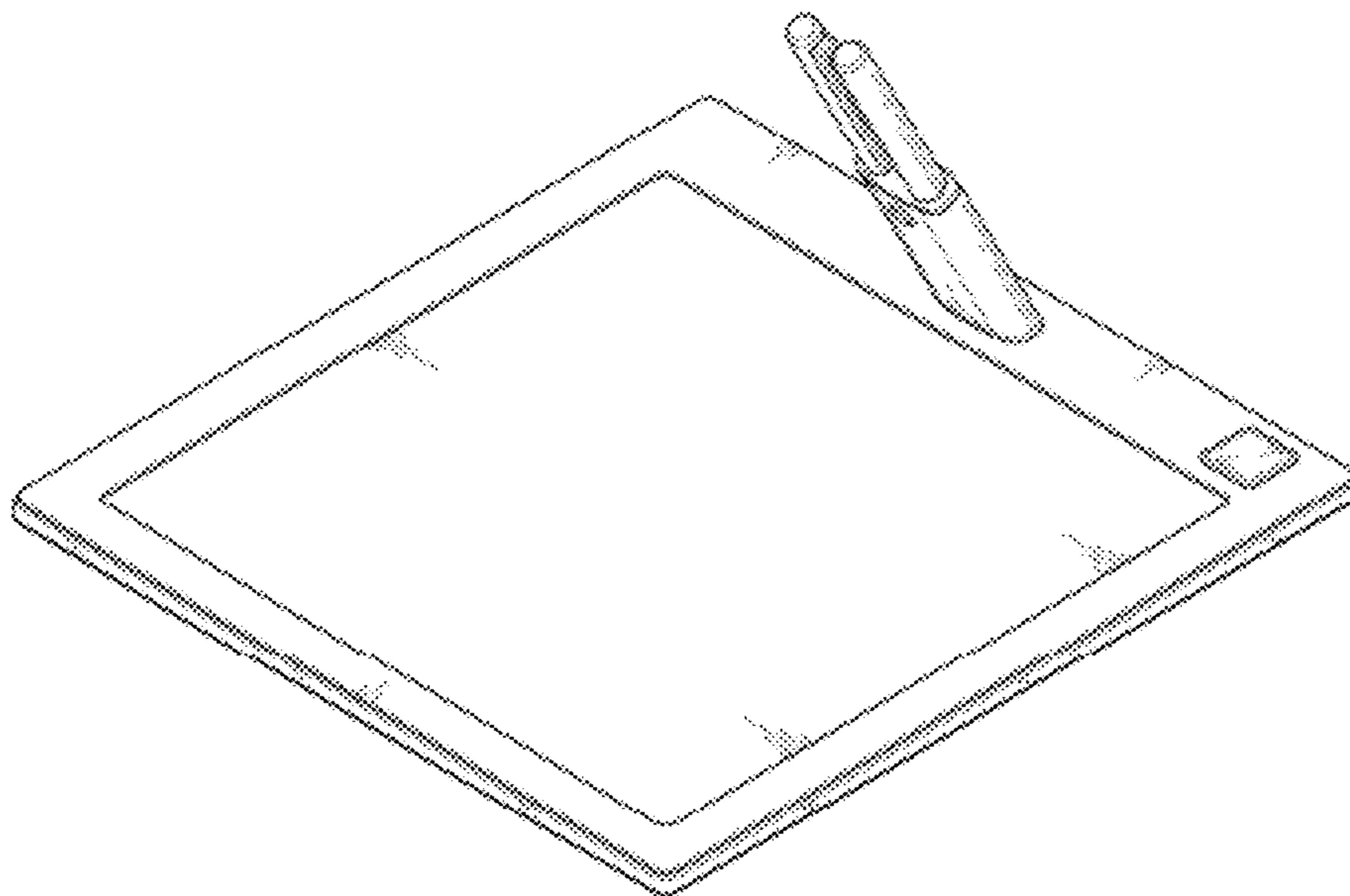


FIG. 1

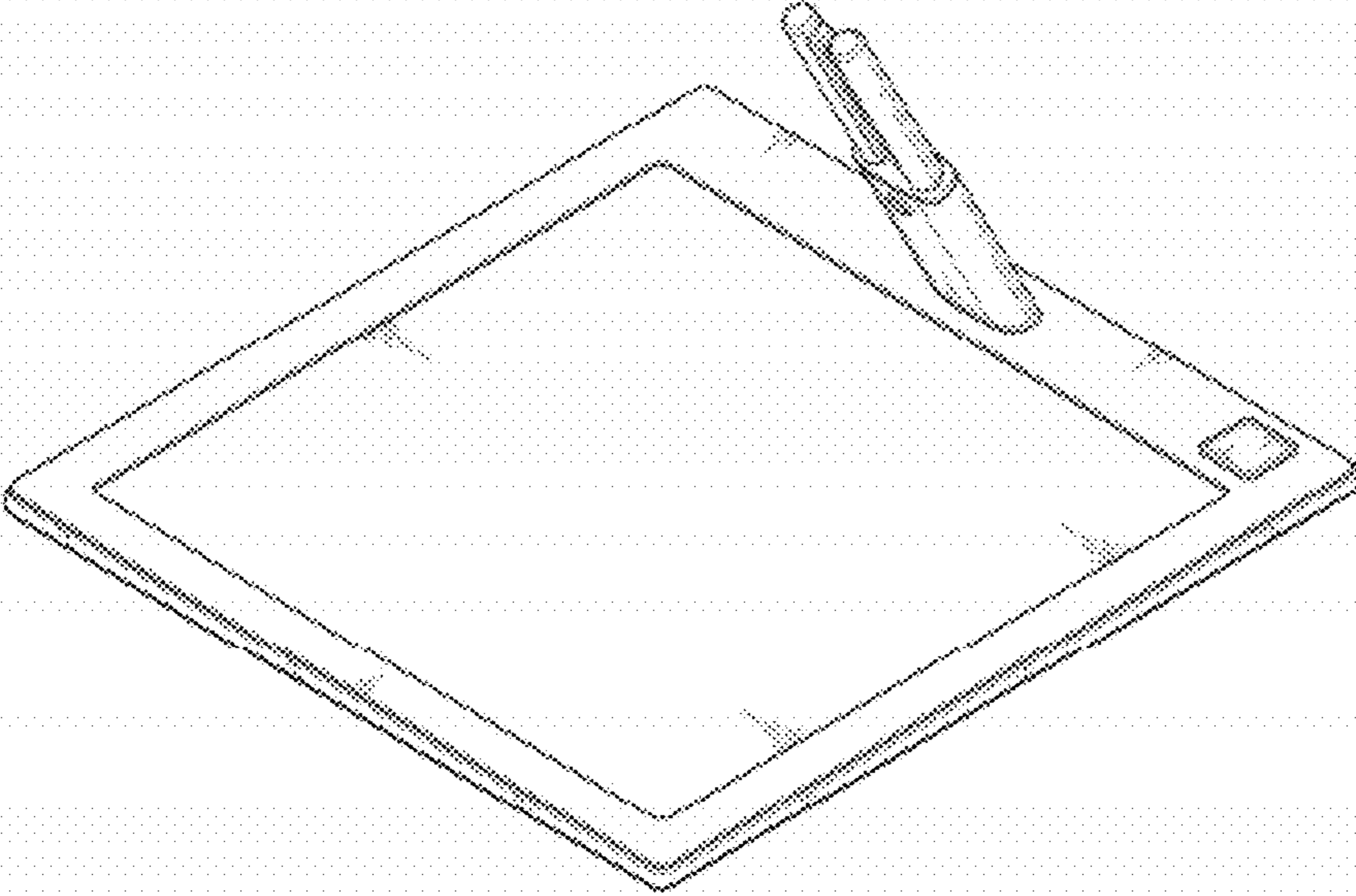


FIG. 2

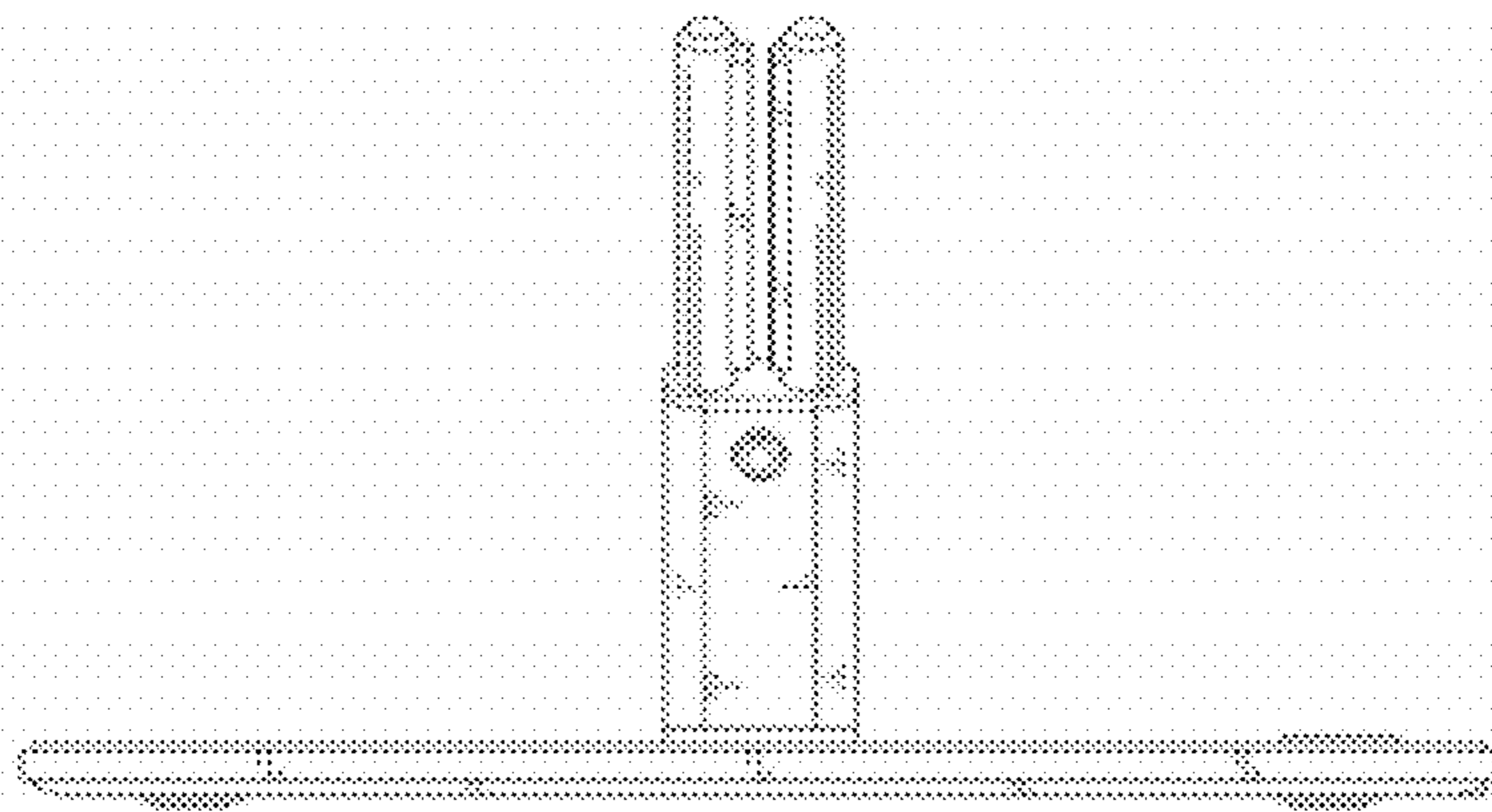


FIG. 3

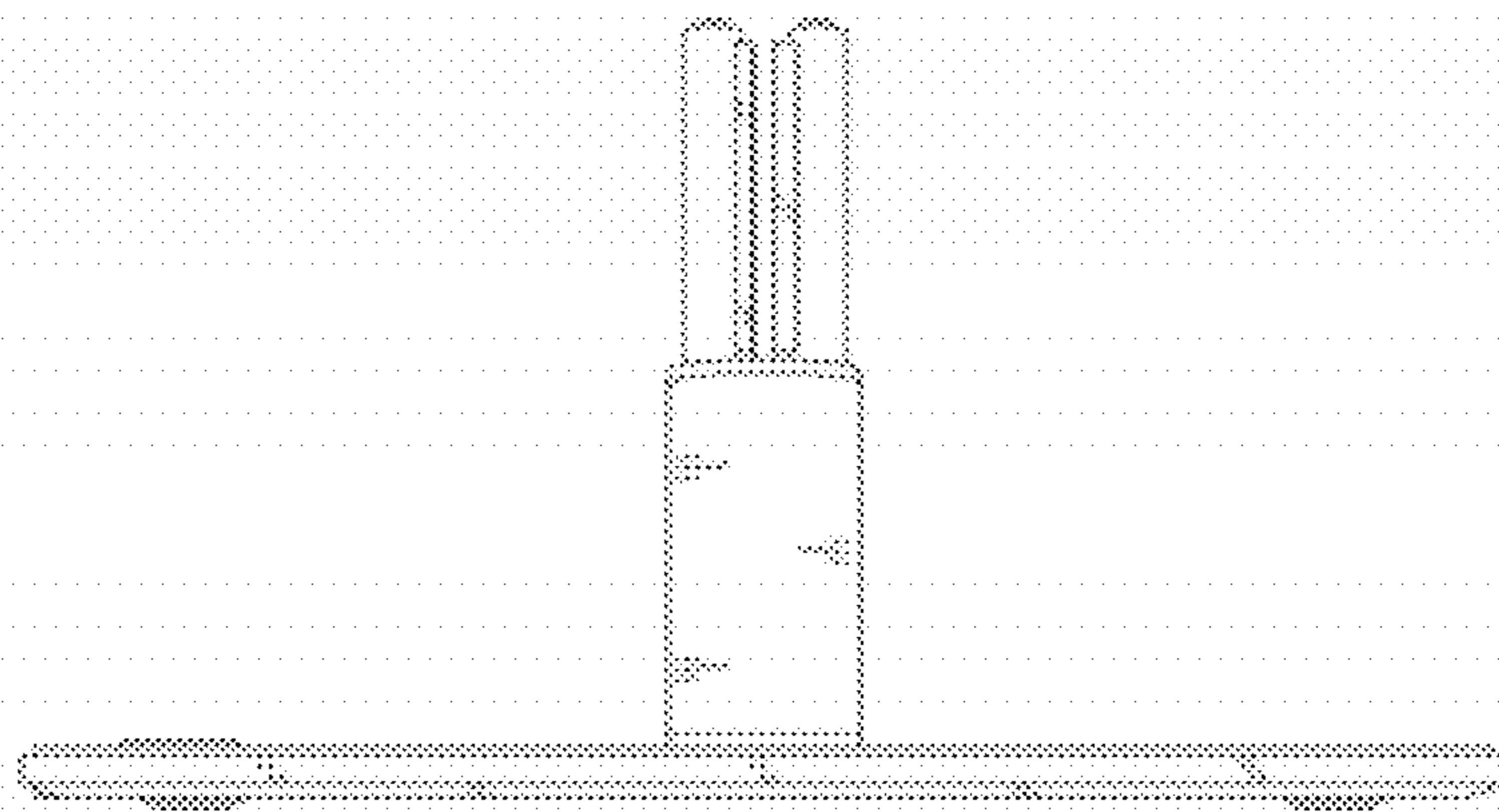


FIG. 4

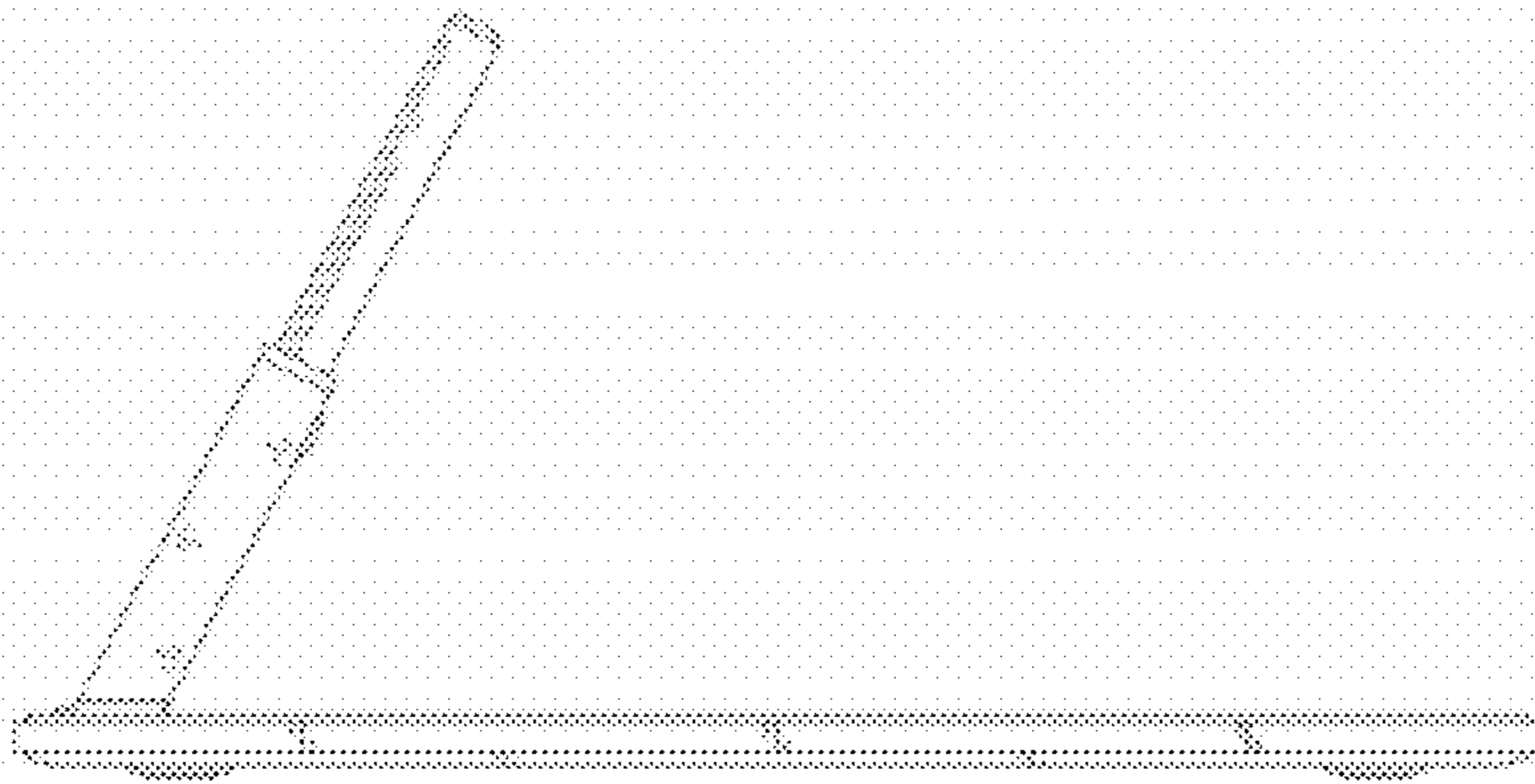


FIG. 5

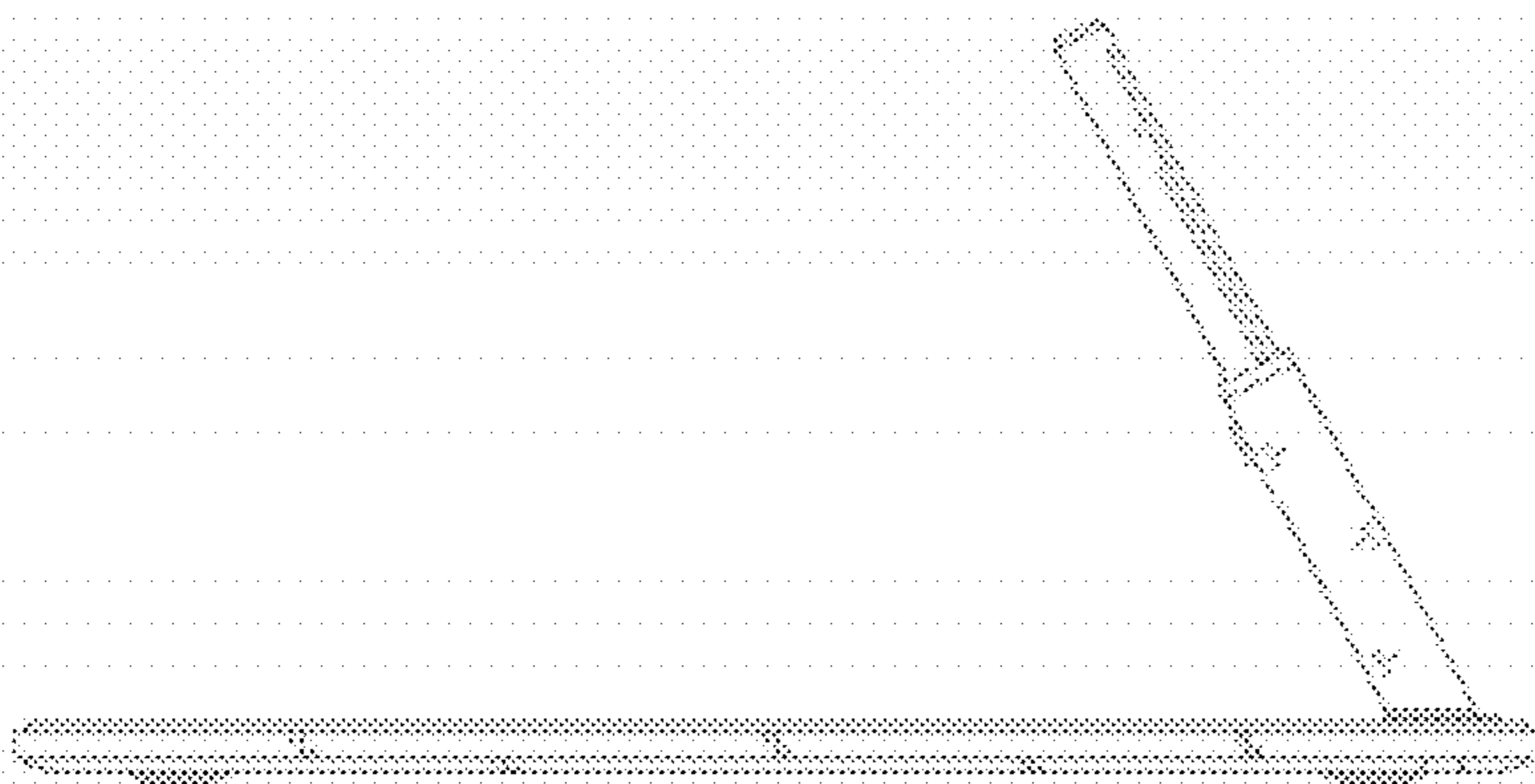


FIG. 6

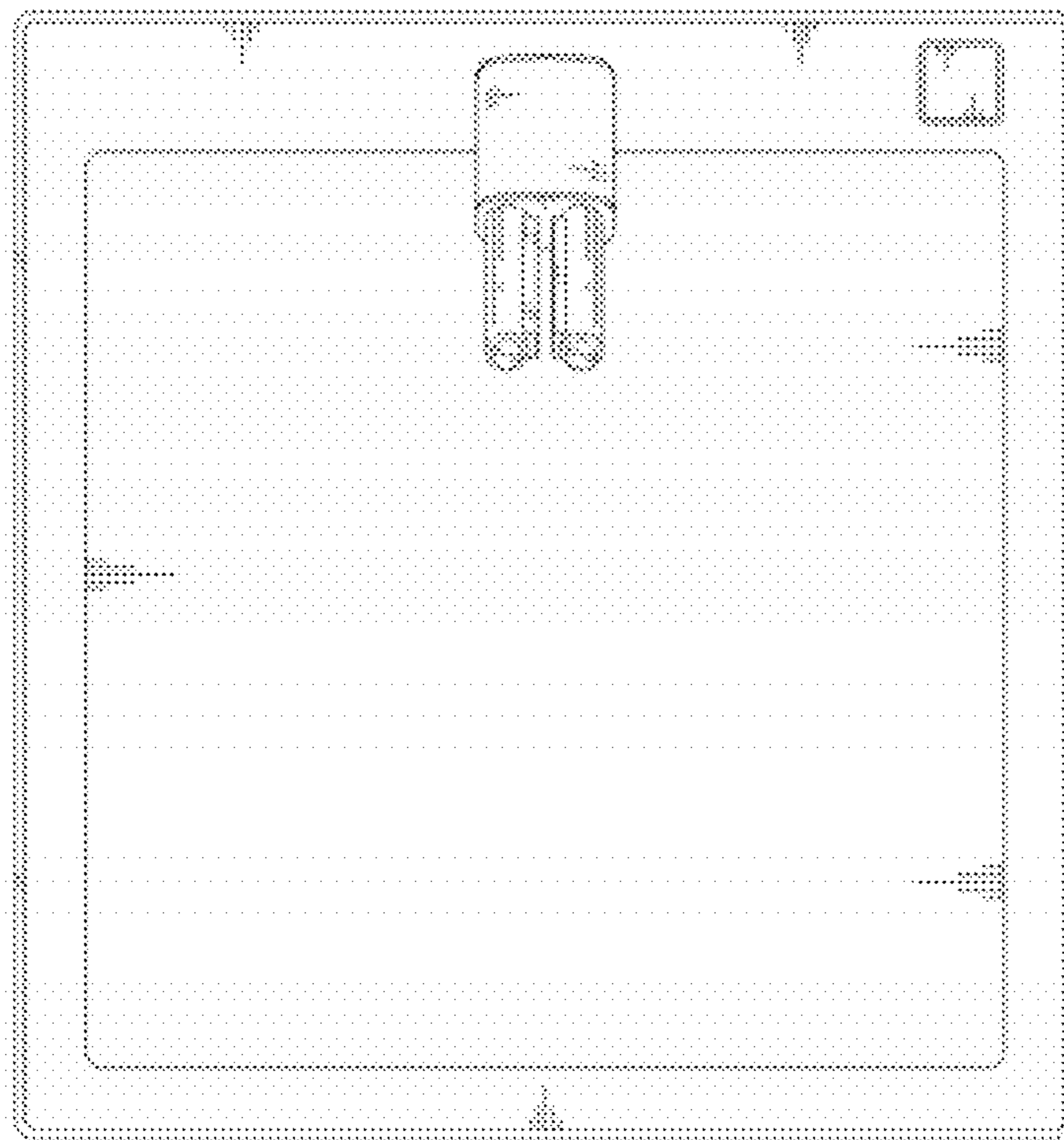


FIG. 7

