



US00D667743S

(12) **United States Design Patent**
Huang

(10) **Patent No.:** **US D667,743 S**

(45) **Date of Patent:** **** Sep. 25, 2012**

(54) **TAPE RULE (II)**

(75) Inventor: **Jason Huang**, Taipei (TW)

(73) Assignee: **Index Measuring Tape Co., Ltd.**, Taipei (TW)

(**) Term: **14 Years**

(21) Appl. No.: **29/407,302**

(22) Filed: **Nov. 28, 2011**

(51) **LOC (9) Cl.** **10-04**

(52) **U.S. Cl.** **D10/72**

(58) **Field of Classification Search** D10/72,
D10/74; 33/755-771; 242/285, 291, 379,
242/379.1, 379.2, 381, 381.1-381.6, 405
See application file for complete search history.

(56) **References Cited**

U.S. PATENT DOCUMENTS

D522,890 S * 6/2006 Huang D10/72
D533,796 S * 12/2006 Radivojevic et al. D10/72

D554,011 S * 10/2007 Levick D10/72
D611,849 S * 3/2010 Cook et al. D10/72
2011/0179664 A1* 7/2011 Delneo et al. 33/770

* cited by examiner

Primary Examiner — Antoine D Davis

(74) *Attorney, Agent, or Firm* — Bacon & Thomas, PLLC

(57) **CLAIM**

The ornamental design for a tape rule (II), as shown and described.

DESCRIPTION

FIG. 1 is an elevational view of a tape rule (II) showing my new design;

FIG. 2 is a front elevational view thereof;

FIG. 3 is the rear elevational view thereof;

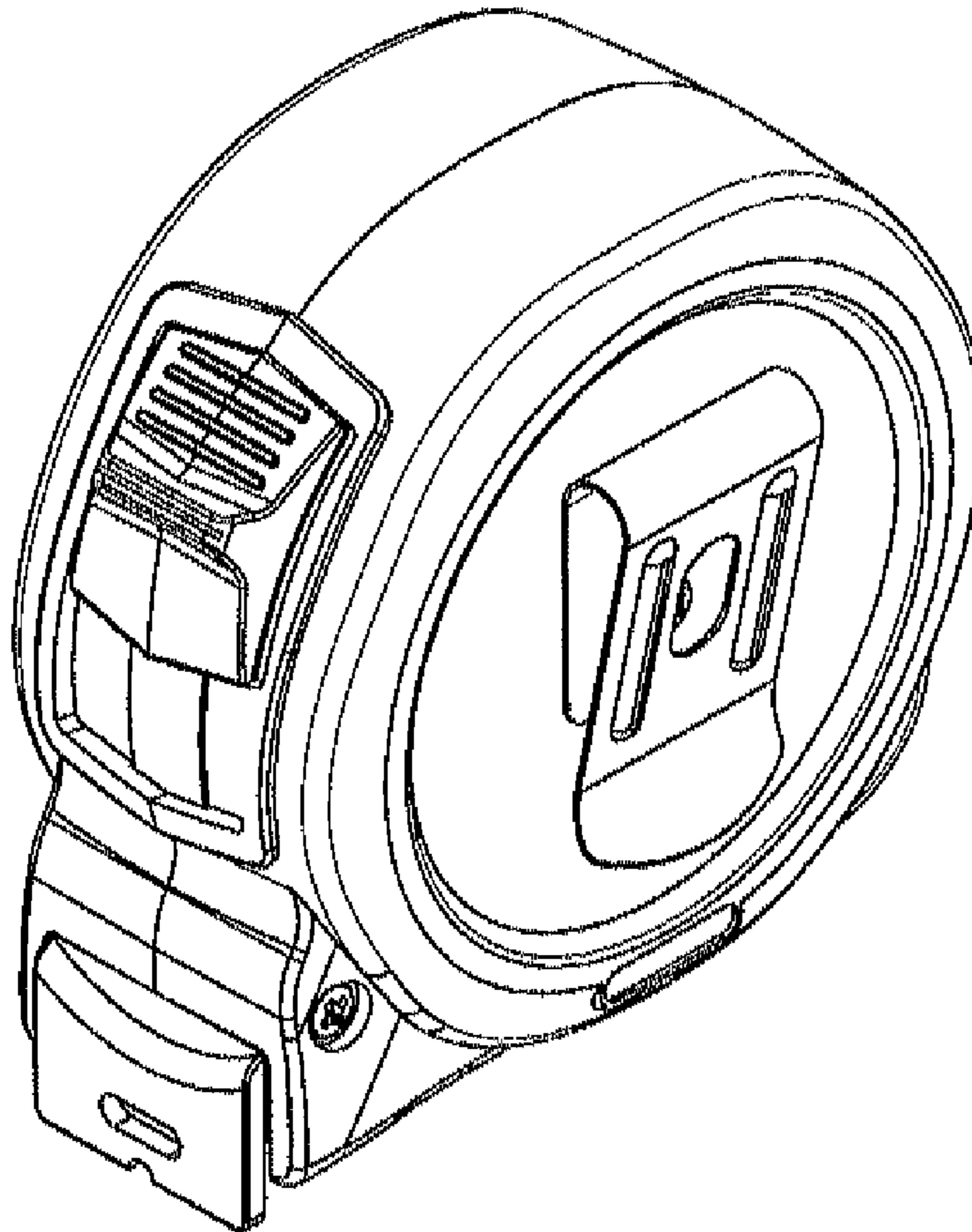
FIG. 4 is a left side elevational view thereof;

FIG. 5 is a right side elevational view thereof;

FIG. 6 is a top plan elevational view thereof; and,

FIG. 7 is a bottom plan elevational view thereof.

1 Claim, 5 Drawing Sheets



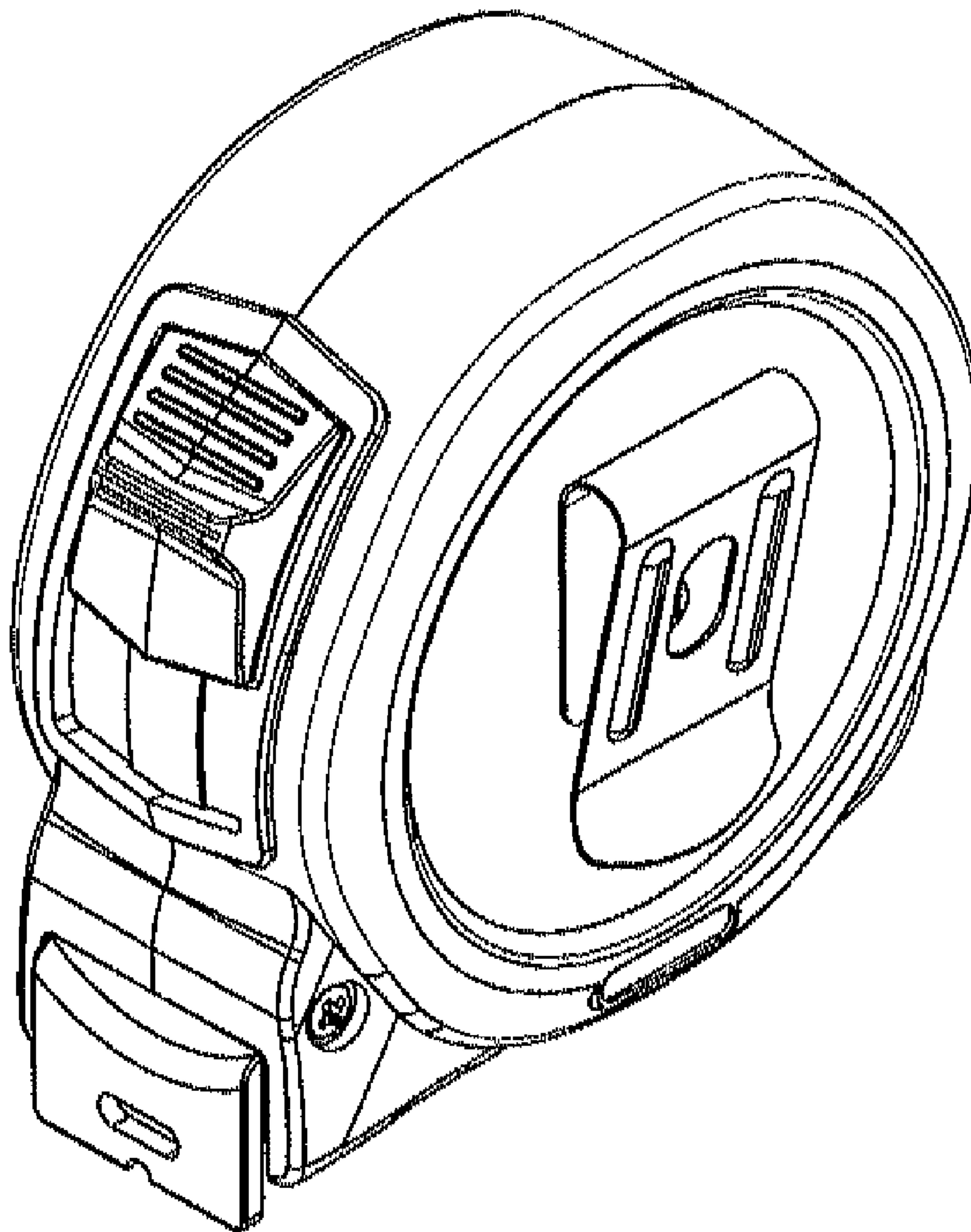


FIG. 1

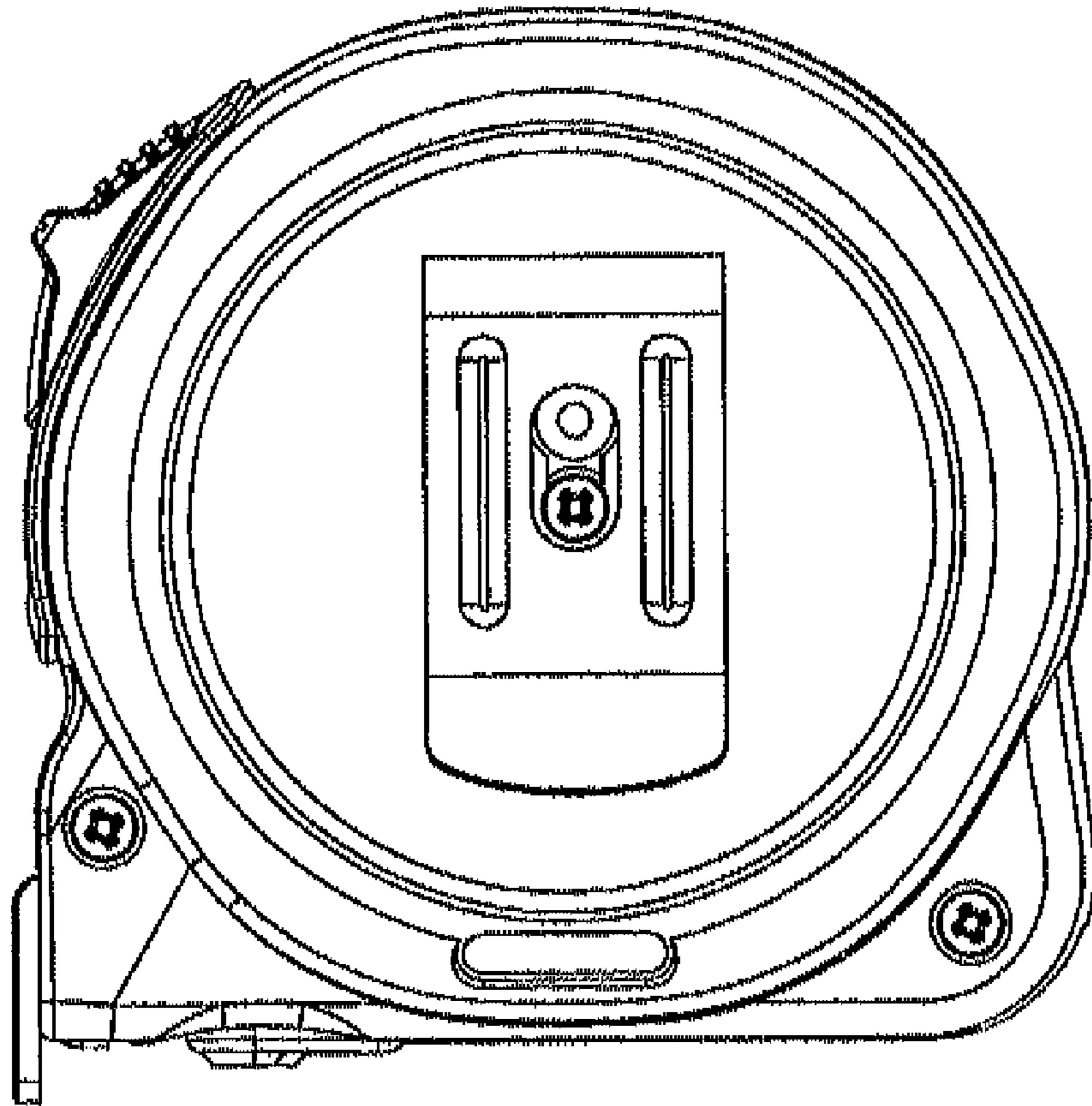


FIG. 2

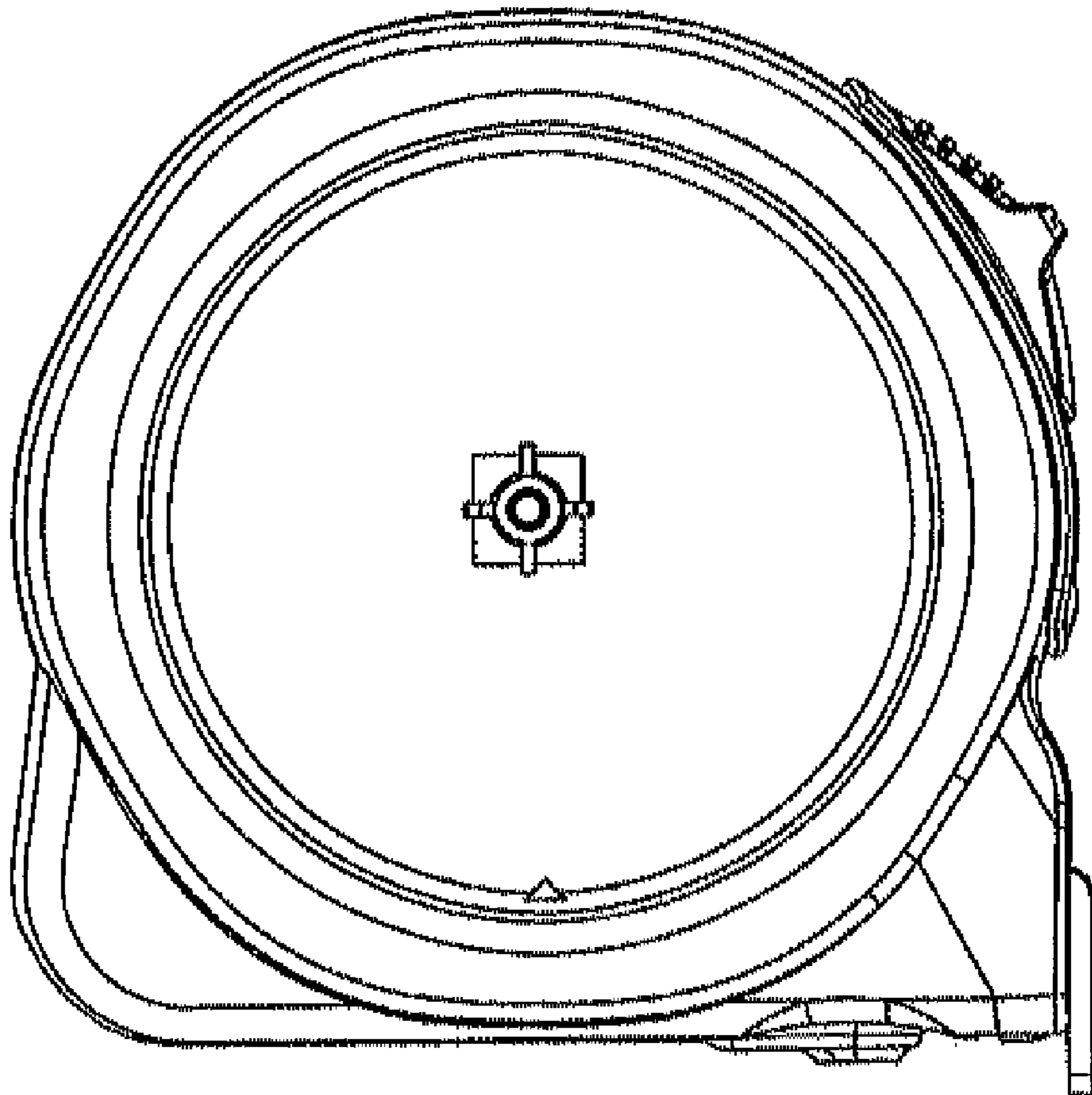


FIG. 3

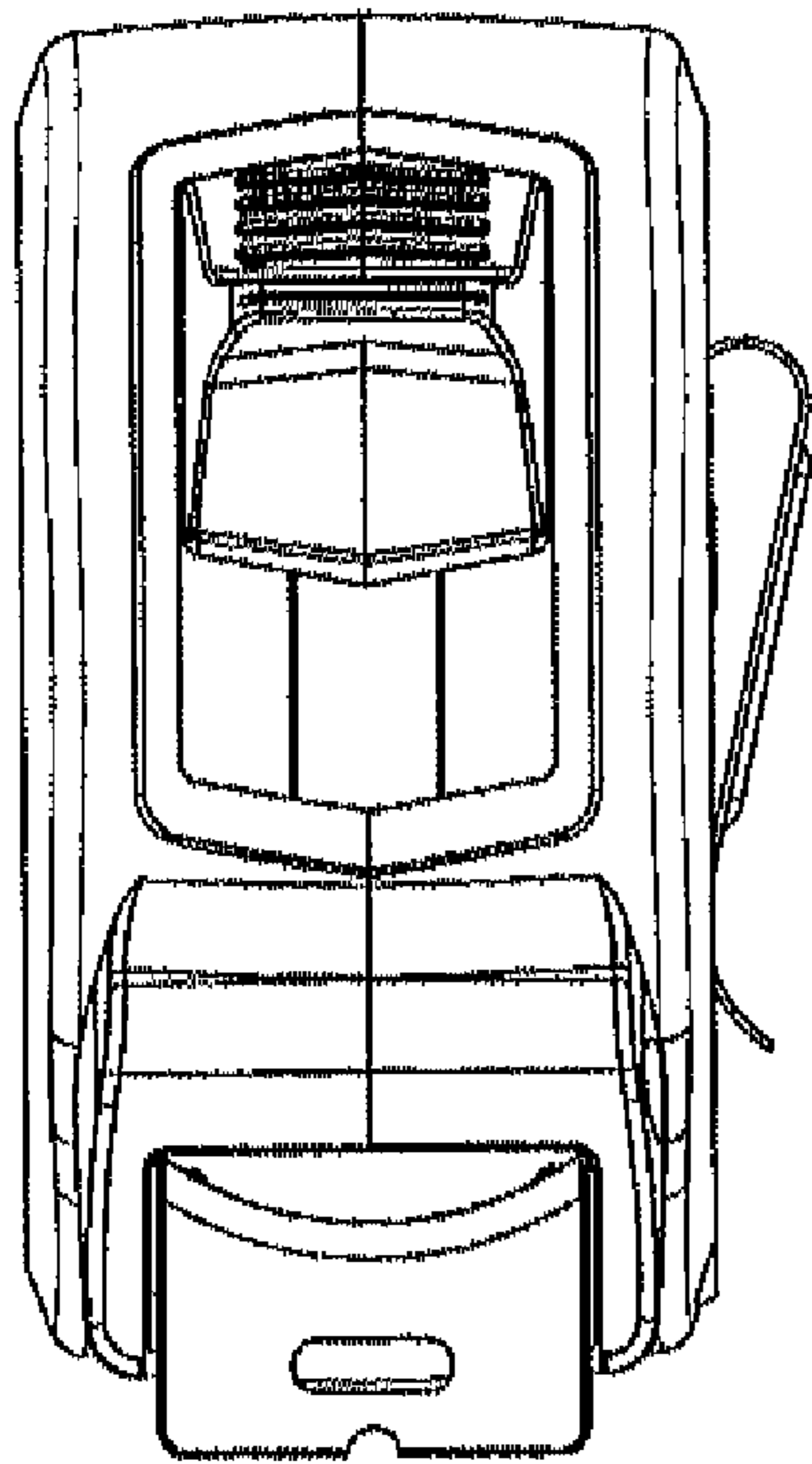


FIG. 4

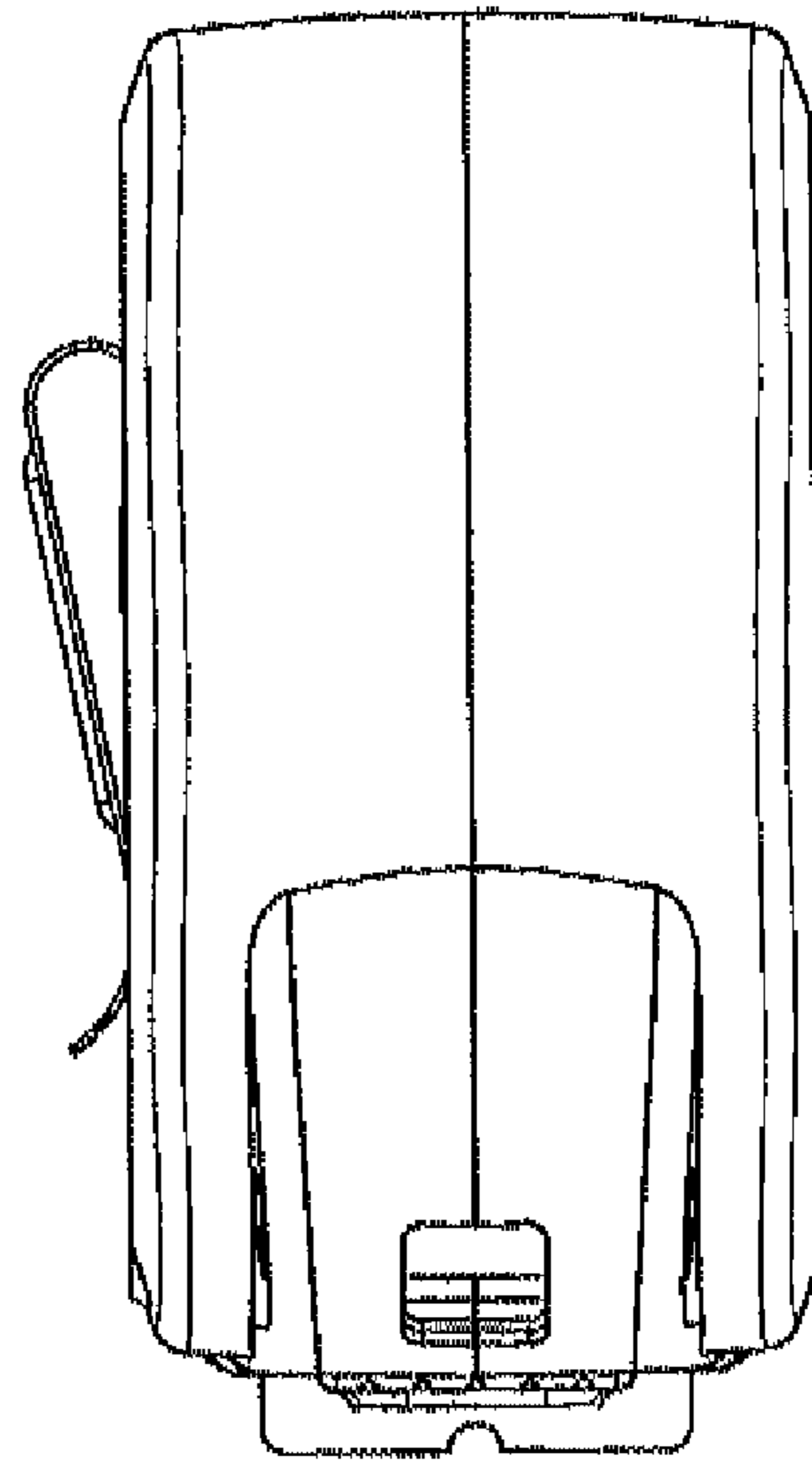


FIG. 5

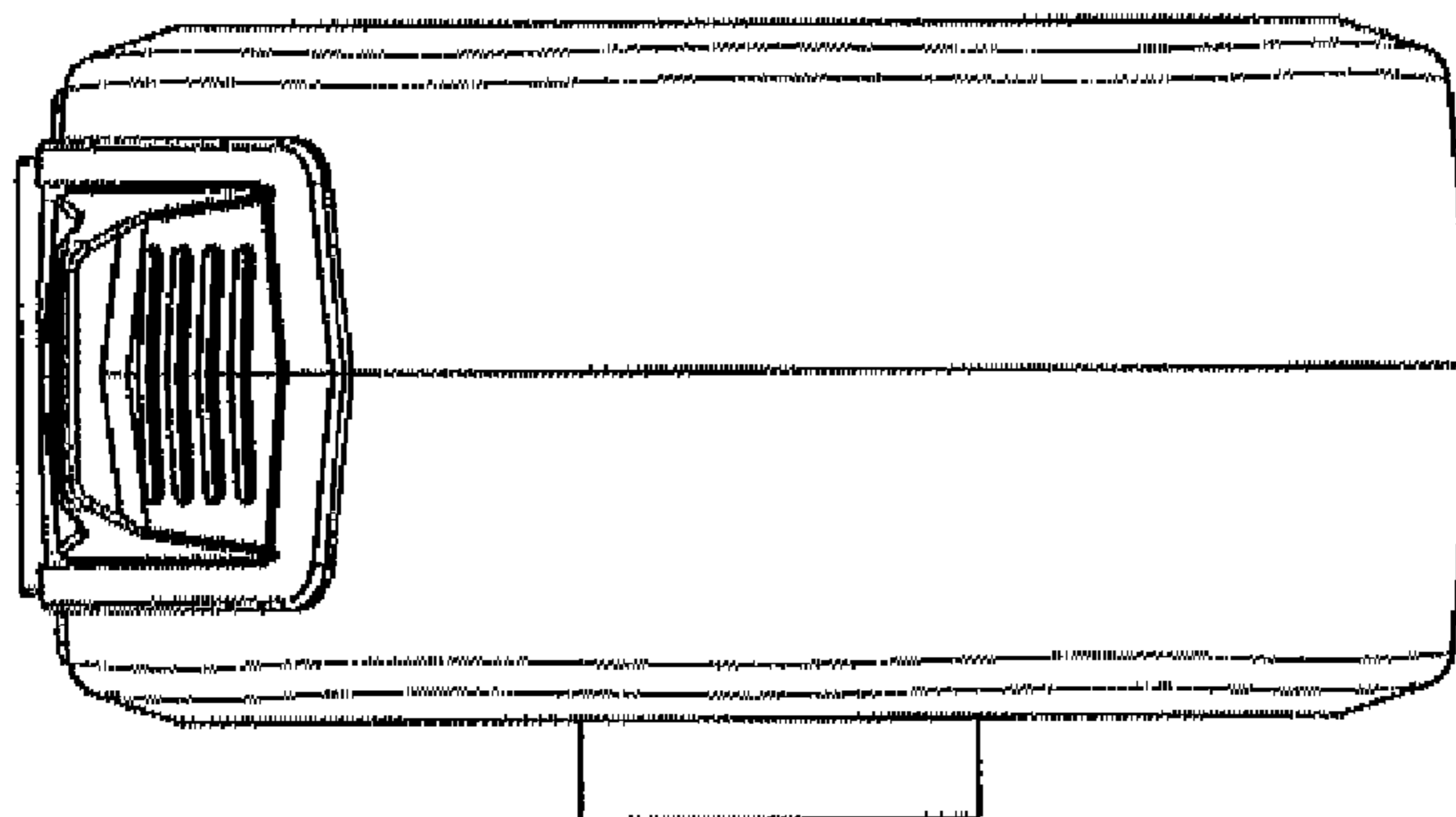


FIG. 6

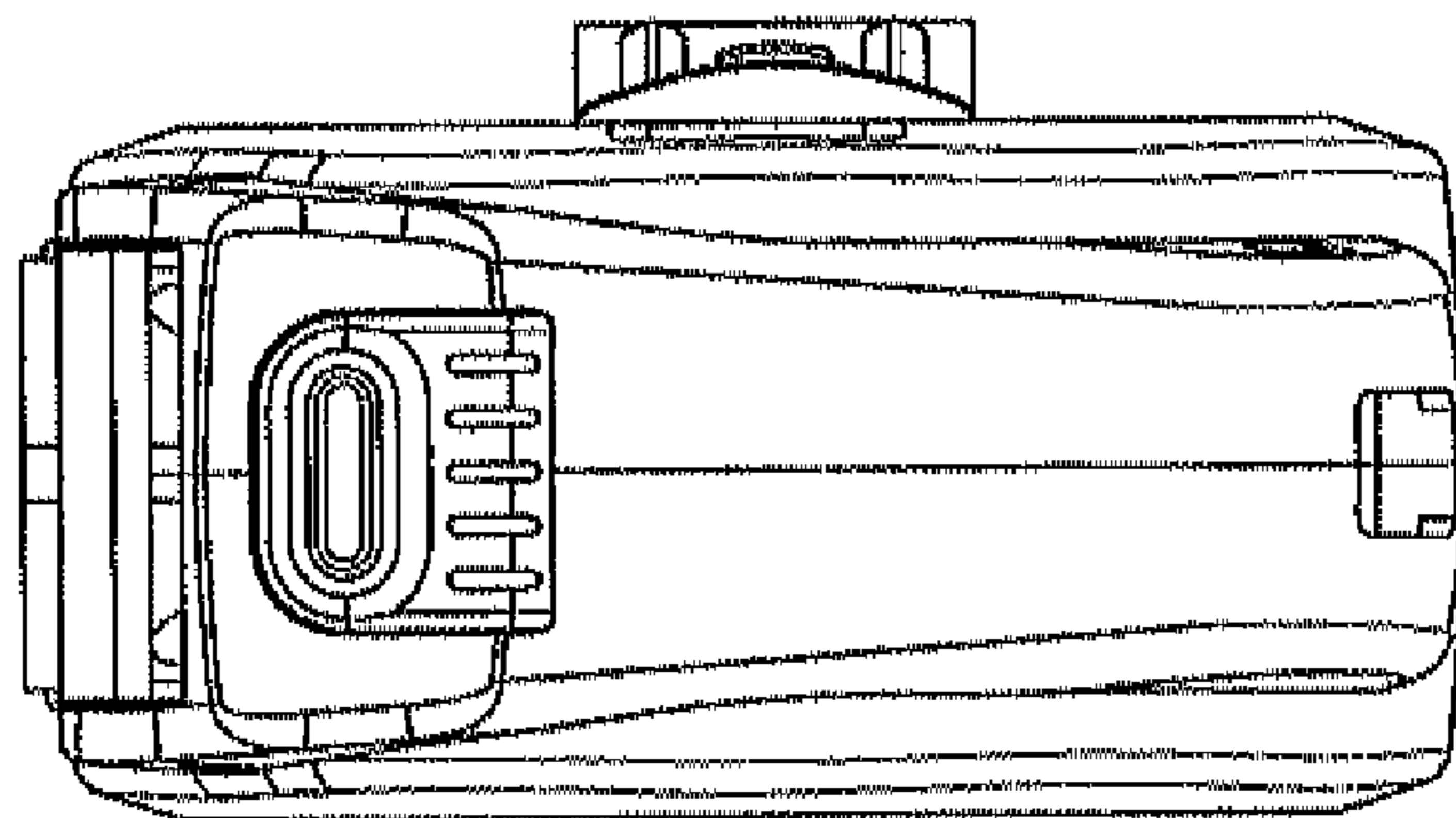


FIG. 7