

US00D667742S

(12) **United States Design Patent**  
**Foster**

(10) **Patent No.:** **US D667,742 S**

(45) **Date of Patent:** **\*\* Sep. 25, 2012**

(54) **FISHING ROD MEASURING SCALE**

(76) Inventor: **Robert A. Foster**, Jefferson, MO (US)

(\*\*) Term: **14 Years**

(21) Appl. No.: **29/373,873**

(22) Filed: **Jun. 2, 2011**

(51) **LOC (9) Cl.** ..... **10-04**

(52) **U.S. Cl.** ..... **D10/71**

(58) **Field of Classification Search** ..... D10/71;  
33/483-494; 43/7, 11, 25  
See application file for complete search history.

4,721,174 A \* 1/1988 Letzo ..... 43/25  
4,969,286 A \* 11/1990 Belanger ..... 43/25  
4,995,188 A \* 2/1991 Ewing ..... 43/23  
D360,149 S \* 7/1995 McCubbin ..... D10/71  
D384,697 S \* 10/1997 Glaros ..... D10/71  
6,782,629 B2 \* 8/2004 Jimenez et al. .... 33/483

\* cited by examiner

*Primary Examiner* — Antoine D Davis

(74) *Attorney, Agent, or Firm* — Paul M Denk

(57) **CLAIM**

The ornamental design for the fishing rod measuring scale, as shown and described.

(56) **References Cited**

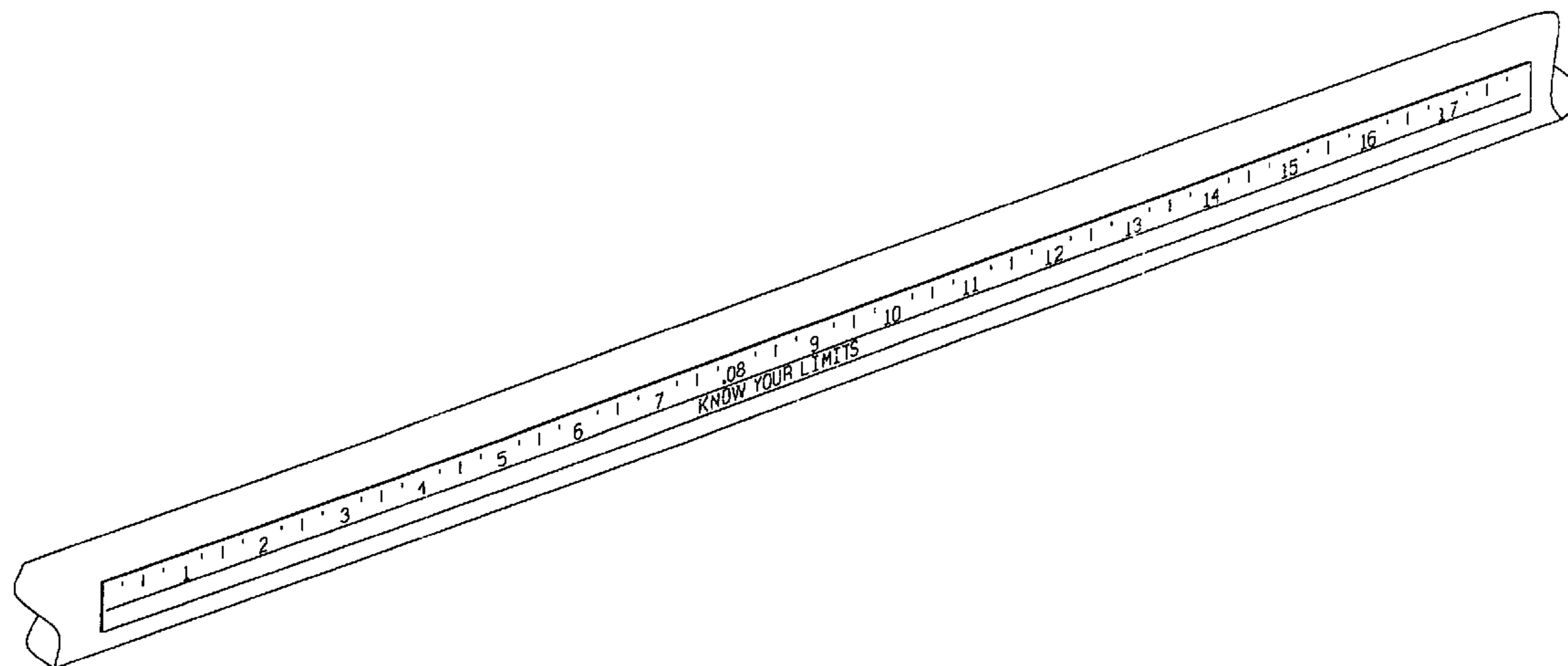
U.S. PATENT DOCUMENTS

461,106 A \* 10/1891 Oberly ..... 33/494  
622,619 A \* 4/1899 Granat et al. .... 43/25  
753,886 A \* 3/1904 Jacobs ..... 33/485  
1,113,847 A \* 10/1914 Turner ..... 43/18.1 R  
1,226,855 A \* 5/1917 Boynton ..... 33/490  
1,255,269 A \* 2/1918 Zinkiewiez ..... 43/18.1 R  
2,633,531 A \* 3/1953 Nelson ..... 343/852  
D202,650 S \* 10/1965 Tucker ..... D10/71  
3,974,568 A \* 8/1976 Linderman ..... 33/486  
4,631,851 A \* 12/1986 Whitehurst ..... 43/7

**DESCRIPTION**

FIG. 1 shows the scale of this invention as applied to a fishing rod which is shown only in section for ease of illustration; FIG. 2 is a plan view of said scale; FIG. 3 is a back view of said scale; FIG. 4 is a side view, the opposite side view of said scale being a mirror image thereof; and, FIG. 5 is an end view.

**1 Claim, 1 Drawing Sheet**



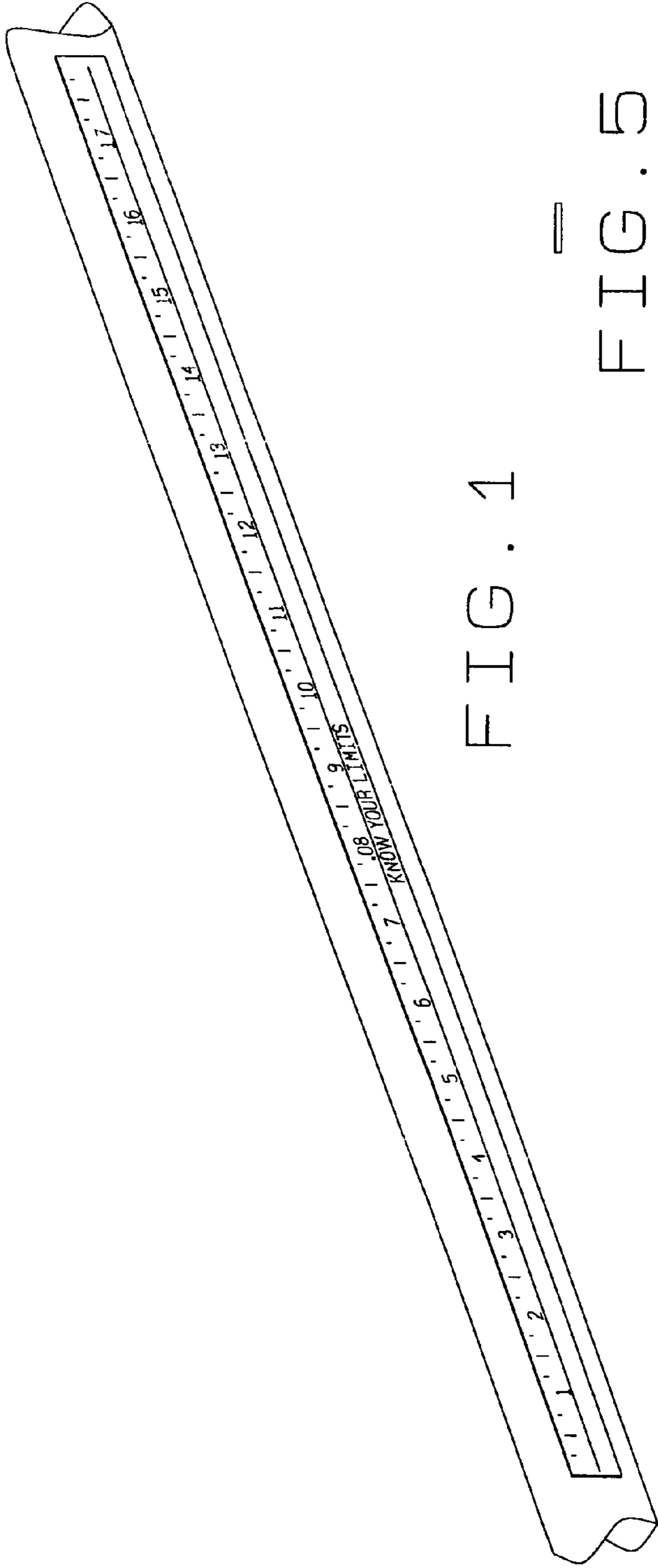


FIG. 1

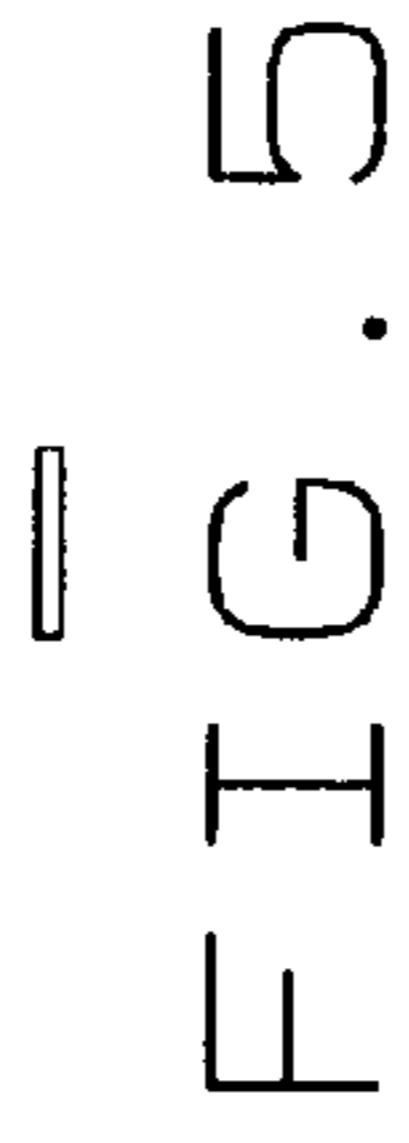


FIG. 5

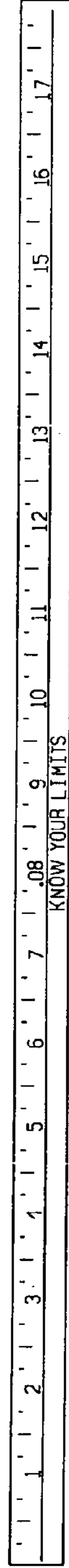


FIG. 2



FIG. 3

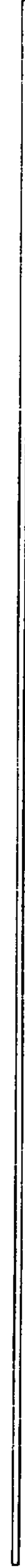


FIG. 4