

US00D667739S

(12) **United States Design Patent**  
**Saitou**

(10) **Patent No.:** **US D667,739 S**

(45) **Date of Patent:** **\*\* Sep. 25, 2012**

(54) **CONTROLLER FOR AIR CONDITIONER**

(56) **References Cited**

(75) Inventor: **Yumi Saitou**, Kusatsu (JP)

(73) Assignee: **Daikin Industries Ltd.**, Osaka-Shi (JP)

(\*\*) Term: **14 Years**

(21) Appl. No.: **29/395,901**

(22) Filed: **Apr. 19, 2012**

(30) **Foreign Application Priority Data**

Dec. 5, 2011 (JP) ..... 2011-028161

(51) **LOC (9) Cl.** ..... **10-01**

(52) **U.S. Cl.** ..... **D10/50**

(58) **Field of Classification Search** ..... D10/46,  
D10/49, 50; 236/5, 46 R-46 F, 47, 49.3,  
236/51, 84, 94; 340/7.21-7.24, 7.32, 825.6,  
340/825.72, 539.1, 539.11, 539.14, 539.21,  
340/539.26, 426.21, 584, 589, 870.17; 374/167;  
400/485; 455/420, 226.1; D13/123, 184,  
D13/162

See application file for complete search history.

U.S. PATENT DOCUMENTS

D498,426	S	*	11/2004	Svennberg	.....	D10/50
D569,279	S	*	5/2008	Krebs et al.	.....	D10/50
D590,730	S	*	4/2009	Simard et al.	.....	D10/50
D602,382	S	*	10/2009	Kennedy et al.	.....	D10/50
D613,627	S	*	4/2010	Wang	.....	D10/50
D614,976	S	*	5/2010	Skafdrup et al.	.....	D10/50
D622,621	S	*	8/2010	Choi et al.	.....	D10/50
D643,318	S	*	8/2011	Morrow	.....	D10/50
D646,990	S	*	10/2011	Rhodes	.....	D10/50

\* cited by examiner

*Primary Examiner* — Brian N Vinson

(74) *Attorney, Agent, or Firm* — Manabu Kanesaka

(57) **CLAIM**

The ornamental design for a controller for air conditioner, as shown and described.

**DESCRIPTION**

FIG. 1 is a perspective view of a controller for air conditioner showing my new design;  
FIG. 2 is a front view thereof;  
FIG. 3 is a rear view thereof;  
FIG. 4 is a plan view thereof;  
FIG. 5 is a bottom view thereof;  
FIG. 6 is a left side view thereof; and,  
FIG. 7 is a right side view thereof.

**1 Claim, 5 Drawing Sheets**

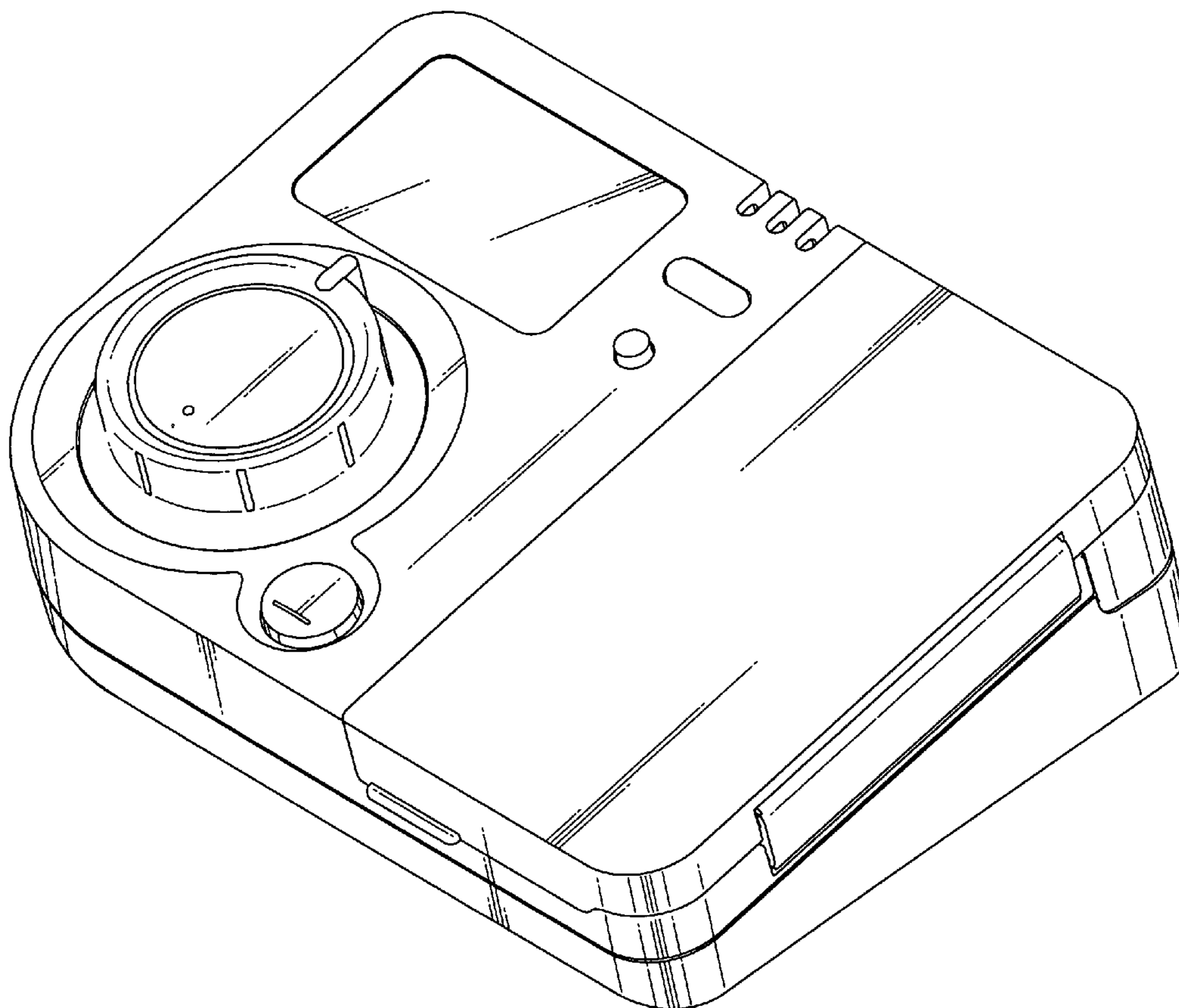


Fig. 1

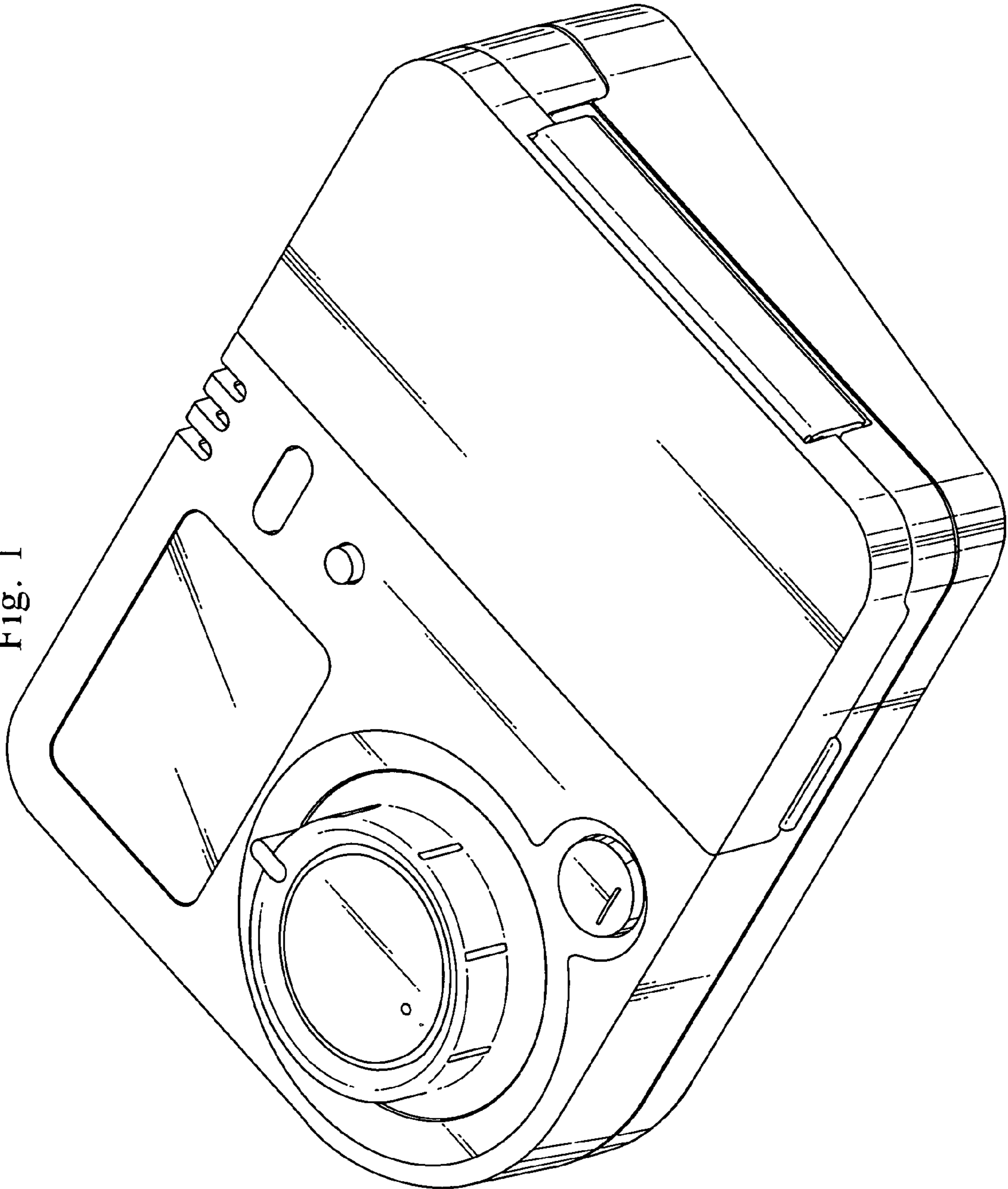


Fig. 2

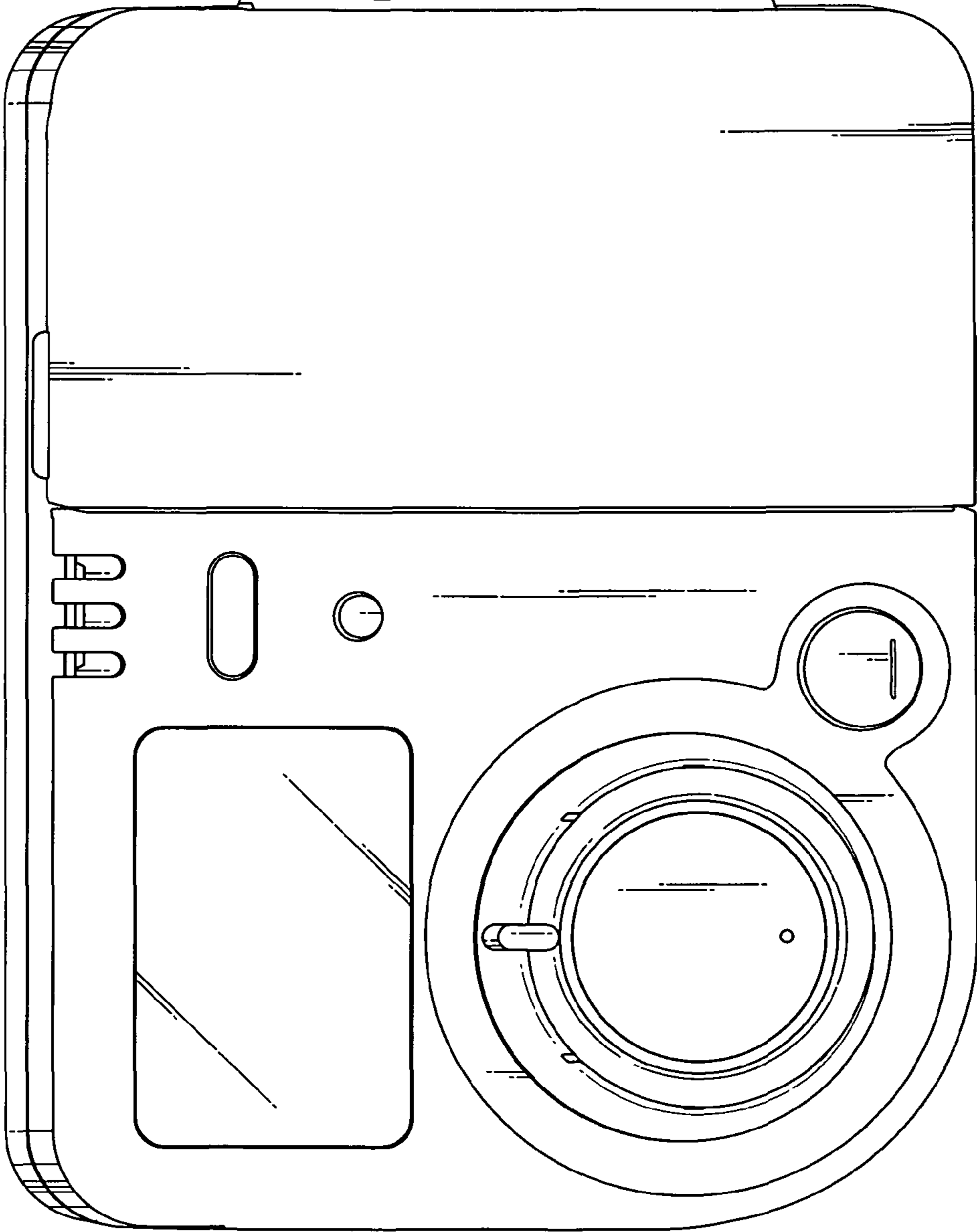


Fig. 3

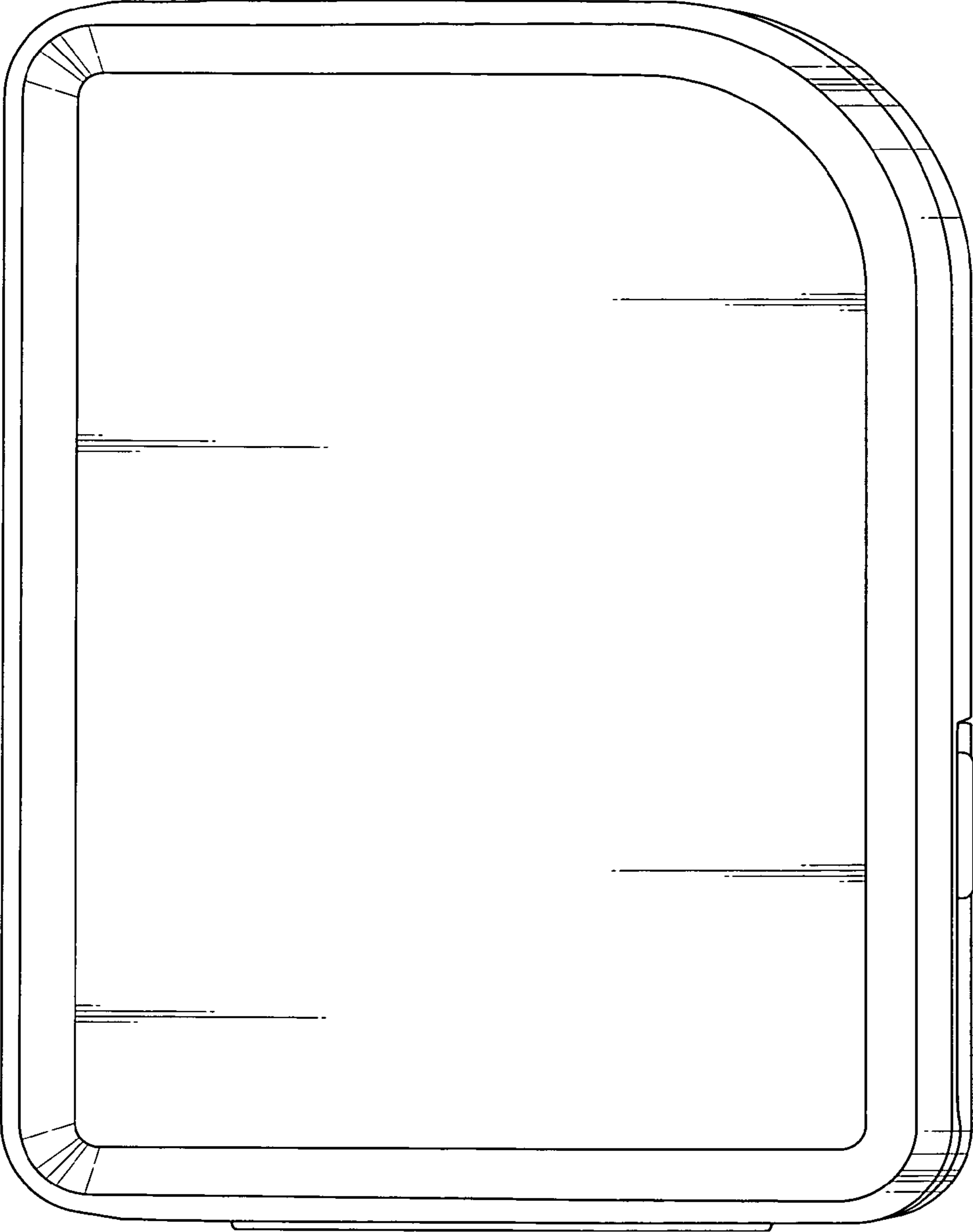


Fig. 4

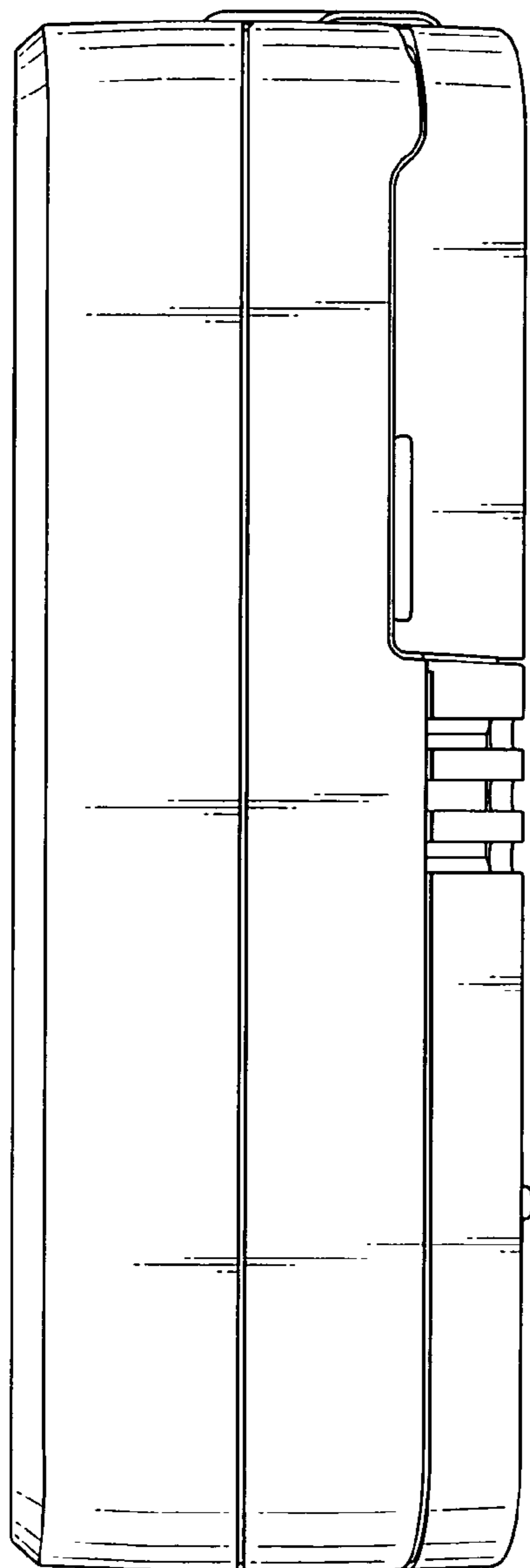


Fig. 5

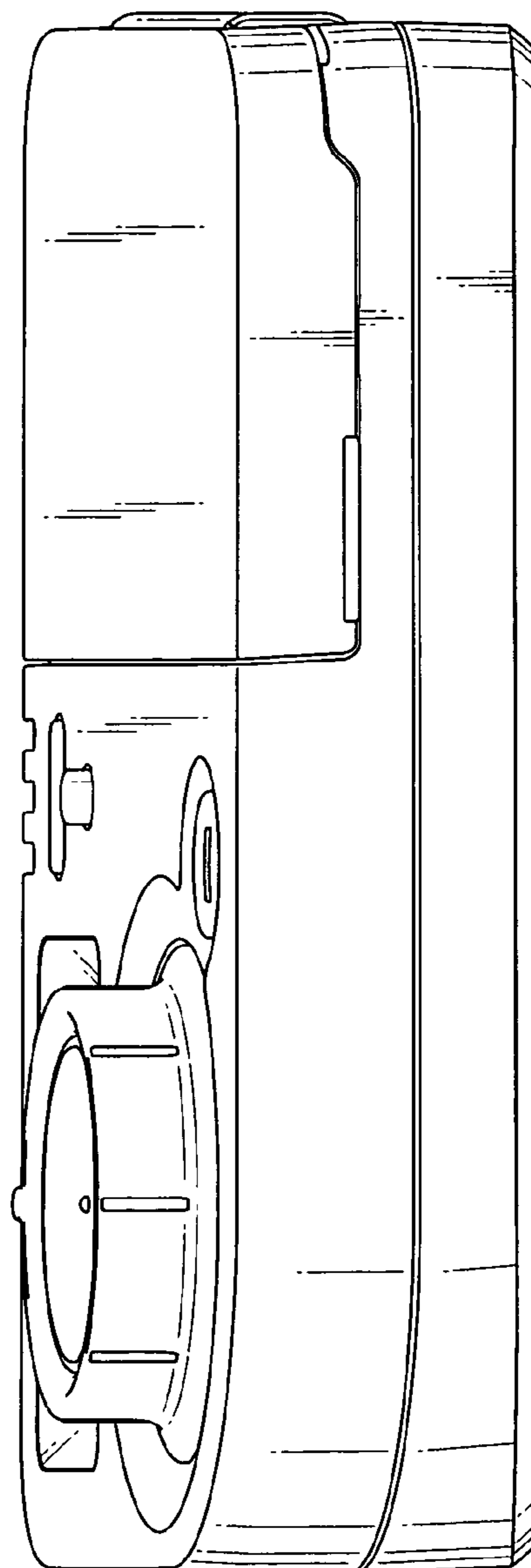


Fig. 7

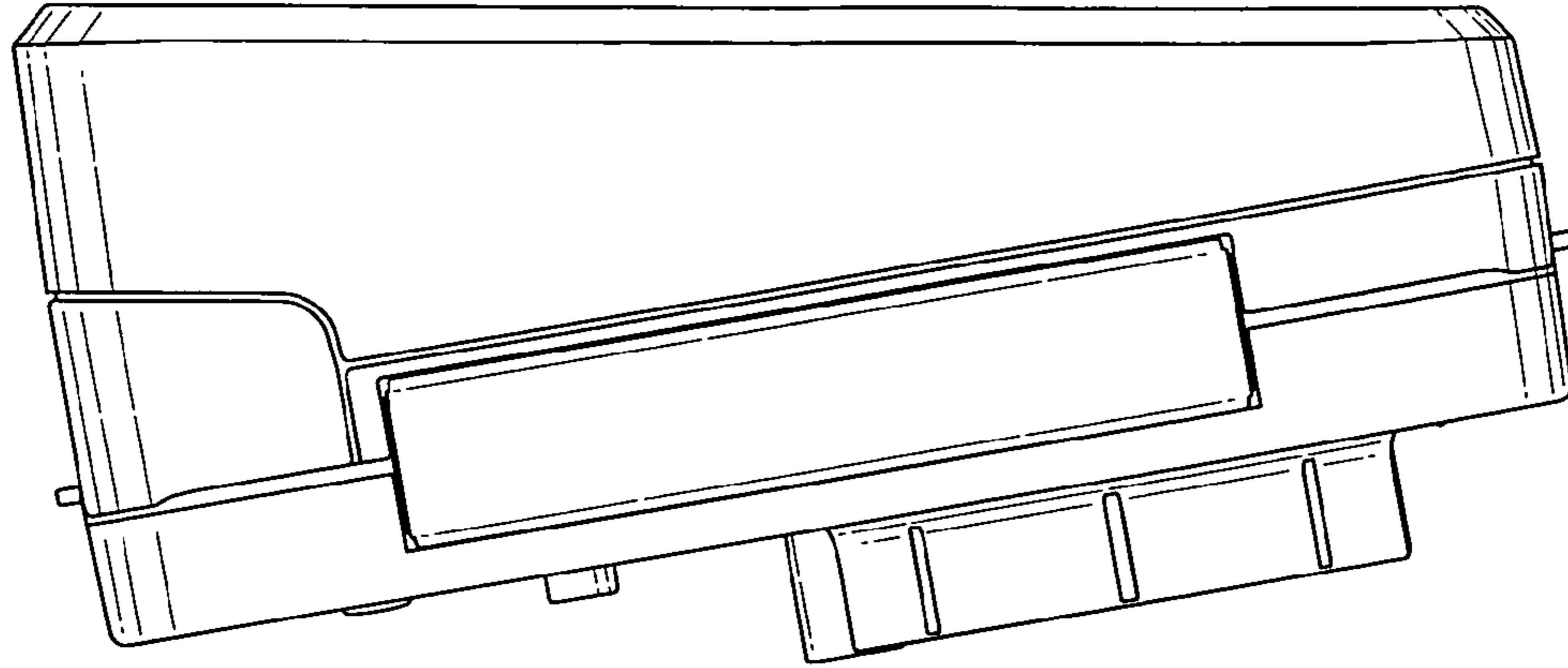


Fig. 6

