



US00D667738S

(12) **United States Design Patent**  
**Tomlinson**

(10) **Patent No.:** **US D667,738 S**

(45) **Date of Patent:** **\*\* Sep. 25, 2012**

(54) **INDIVIDUAL BID TRACKING AND SCORING BOARD FOR CARD GAMES**

(76) Inventor: **David Tomlinson**, Wakefield, RI (US)

(\*\*) Term: **14 Years**

(21) Appl. No.: **29/401,645**

(22) Filed: **Nov. 4, 2011**

(51) **LOC (9) Cl.** ..... **21-01**

(52) **U.S. Cl.** ..... **D10/46.1**

(58) **Field of Classification Search** ..... D10/46,  
D10/46.1; D21/324, 329, 330, 333; 116/222-225;  
463/29-35, 45, 47; 273/148 B, 236, 241,  
273/247, 281, 287; 434/128, 308, 314; 224/918,  
224/921; 235/90

See application file for complete search history.

(56) **References Cited**

U.S. PATENT DOCUMENTS

2,505,382	A *	4/1950	Bridges	.....	116/223
3,724,852	A *	4/1973	Payne, Jr.	.....	273/247
D257,159	S *	9/1980	Hubbard et al.	.....	D21/392
D322,638	S *	12/1991	Levy et al.	.....	D21/393
D354,920	S *	1/1995	Moradinia	.....	D10/46.1

D418,067	S *	12/1999	Bezas	.....	D10/46.1
D471,117	S *	3/2003	Evans	.....	D10/46.1
D521,397	S *	5/2006	Willmarth	.....	D10/46.1
7,040,623	B2 *	5/2006	Poffenberger	.....	273/236
D623,968	S *	9/2010	Roness	.....	D10/46.1
8,070,166	B2 *	12/2011	Nathanson	.....	273/287

\* cited by examiner

*Primary Examiner* — Prabhakar Deshmukh

(57) **CLAIM**

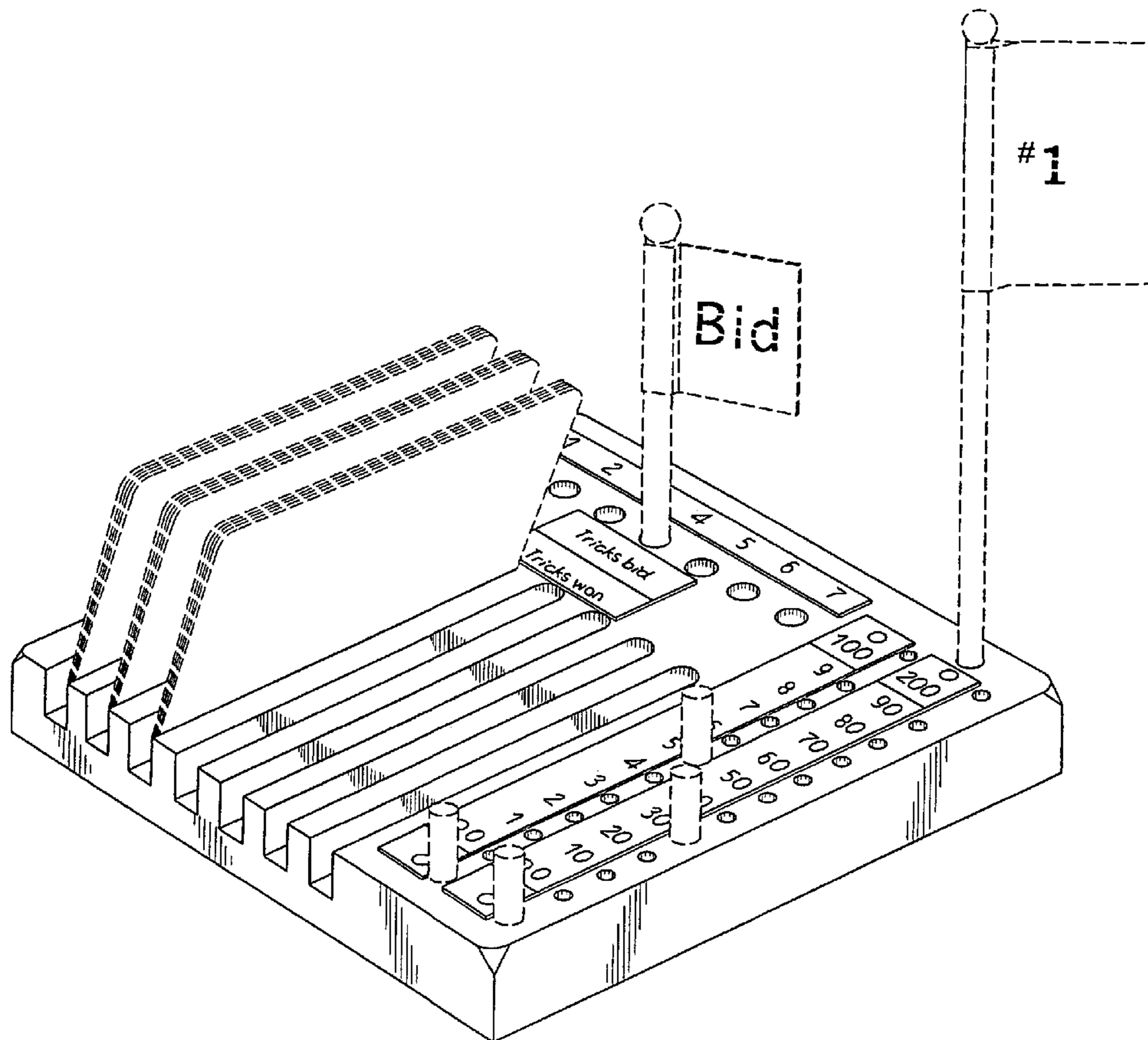
The ornamental design for an individual bid tracking and scoring board for card games, as shown and described.

**DESCRIPTION**

FIG. 1 is a perspective view of an individual bid tracking and scoring board for card games;  
FIG. 2 is a top plan view thereof;  
FIG. 3 is a front elevational view thereof;  
FIG. 4 is a rear elevational view thereof;  
FIG. 5 is a left side elevational view thereof;  
FIG. 6 is a right side elevational view thereof; and,  
FIG. 7 is a bottom plan view thereof.

The broken lines environment is for illustrative purpose only and forms no part of the claimed design.

**1 Claim, 5 Drawing Sheets**



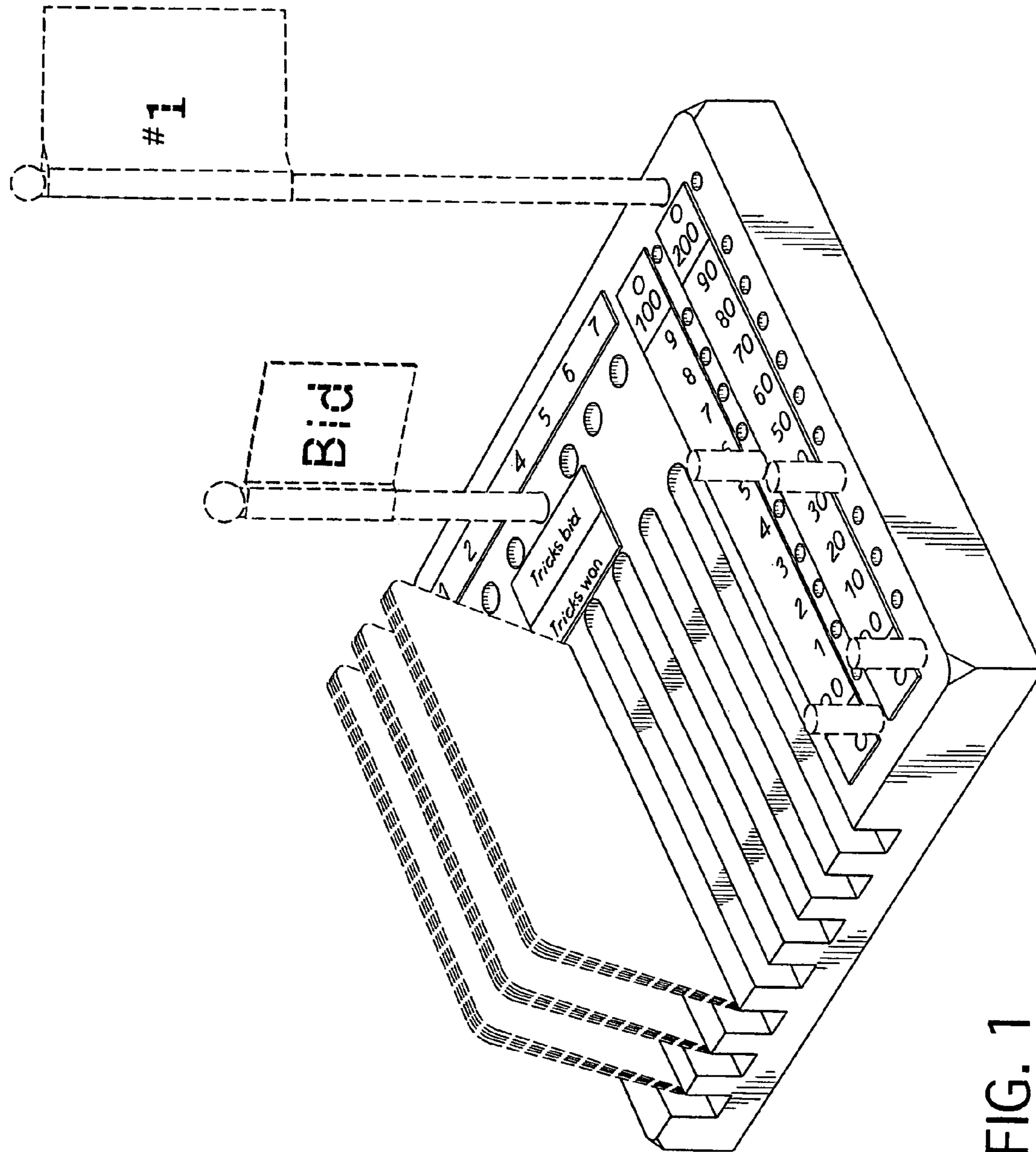


FIG. 1

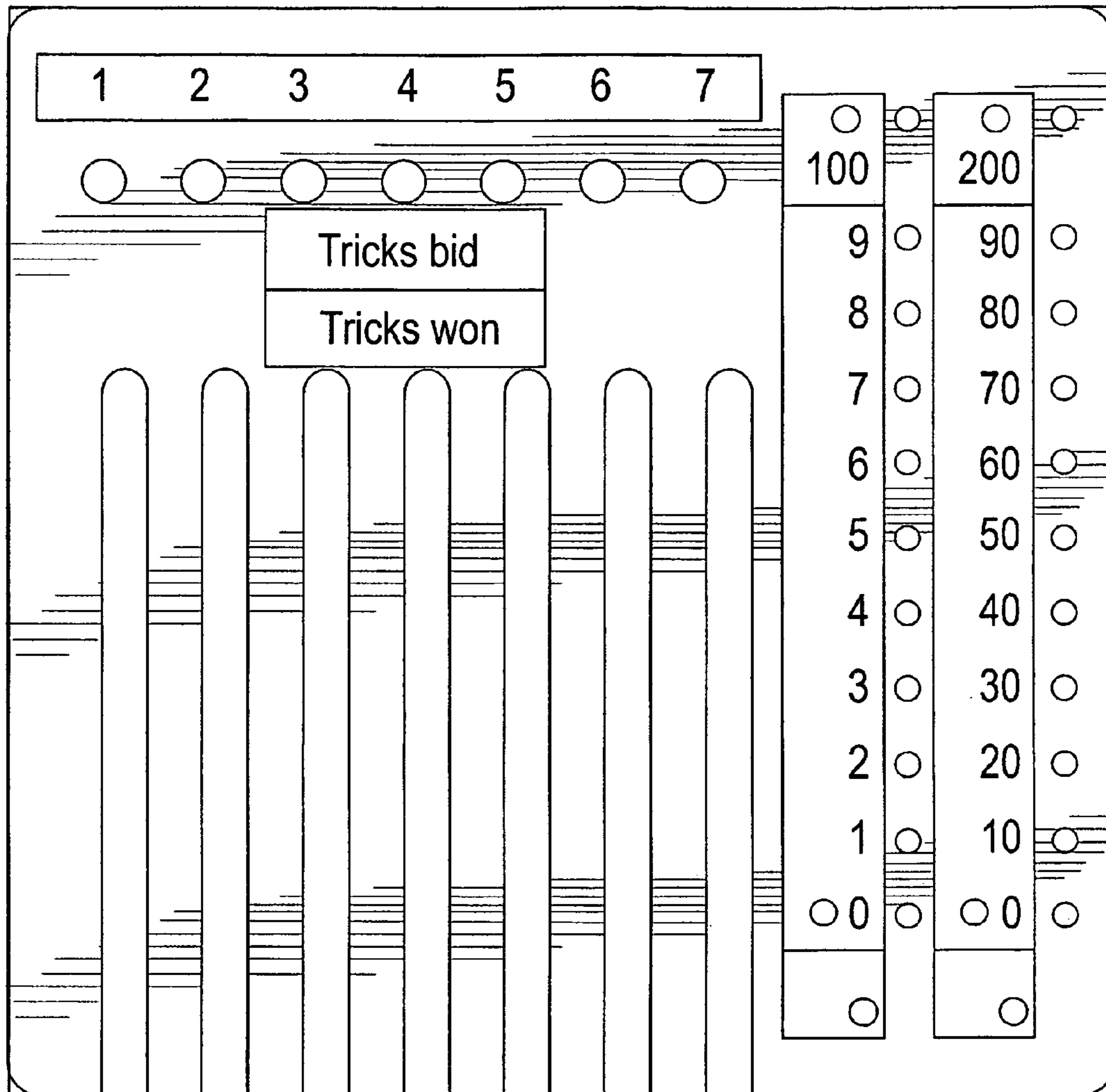


FIG. 2

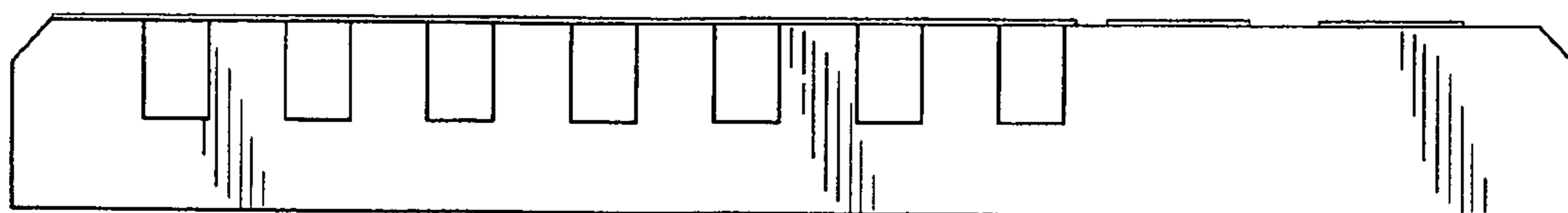
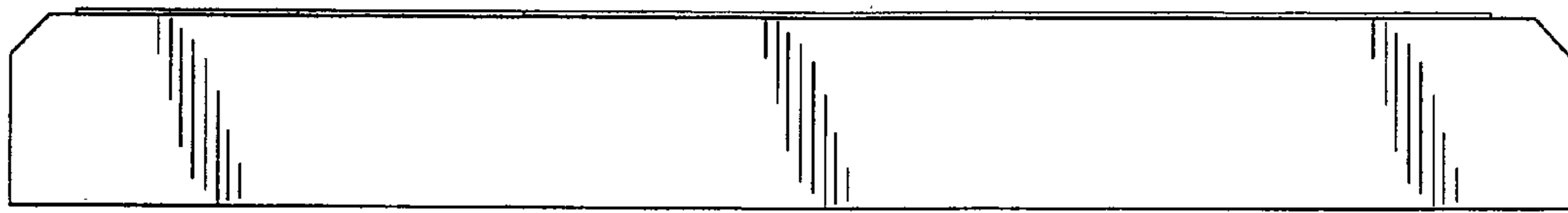


FIG. 3

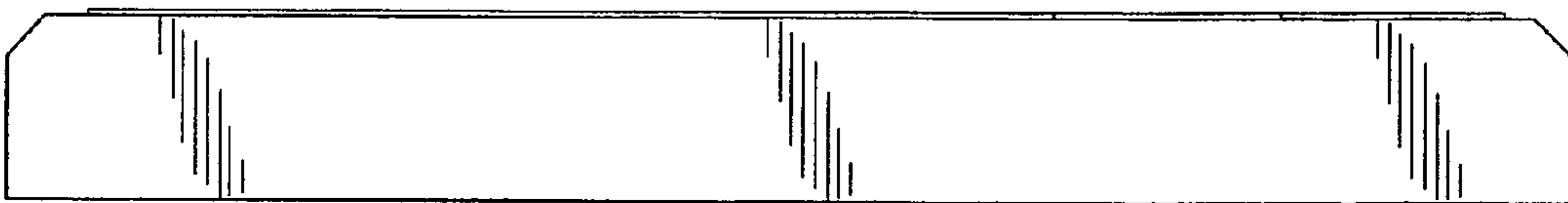


FIG. 4



Left

FIG. 5



Right

FIG. 6

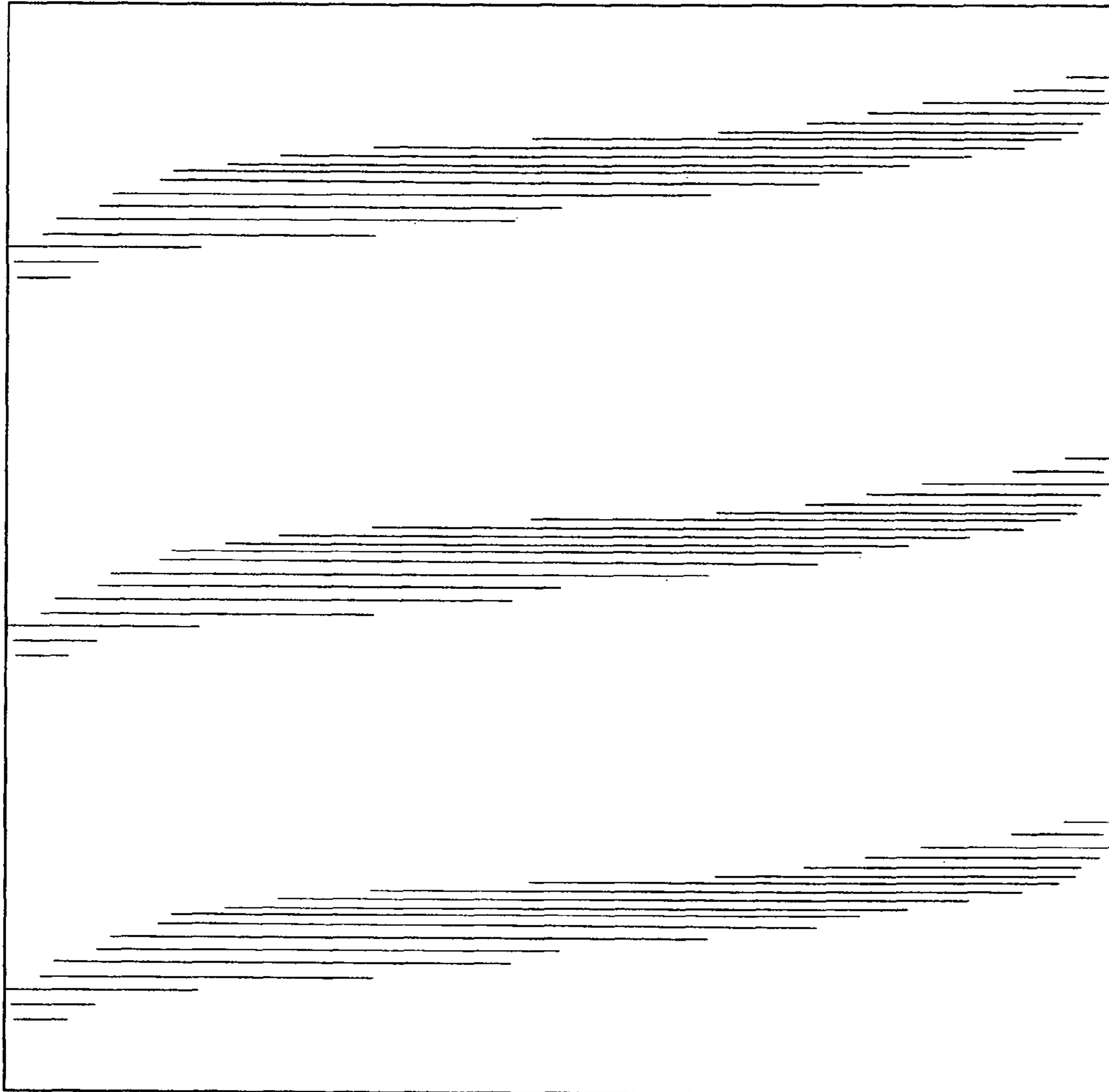


FIG. 7