



US00D667737S

(12) **United States Design Patent**
Neely

(10) **Patent No.:** **US D667,737 S**

(45) **Date of Patent:** **** Sep. 25, 2012**

(54) **TISSUE LEVEL INDICATOR**

(76) Inventor: **Adam Neely**, Inglewood, CA (US)

(**) Term: **14 Years**

(21) Appl. No.: **29/378,796**

(22) Filed: **Nov. 9, 2010**

(51) **LOC (9) Cl.** **10-04**

(52) **U.S. Cl.** **D10/46**

(58) **Field of Classification Search** D10/49,
D10/46; D6/515, 518, 519; D3/201; 206/223,
206/449, 494, 389, 391, 407; 229/100; 221/45,
221/282, 2, 16, 85.5, 59.2, 92, 97, 185, 284;
242/159, 160.2, 550, 560, 590, 595, 588,
242/598, 598.3, 598.6; 312/34.1, 34.8
See application file for complete search history.

(56) **References Cited**

U.S. PATENT DOCUMENTS

D331,074 S * 11/1992 Dotterman et al. D19/86
5,540,354 A * 7/1996 Annand 221/52
2005/0077309 A1* 4/2005 Mitchell et al. 221/45

2007/0119858 A1* 5/2007 Ayoub 221/2
2011/0215110 A1* 9/2011 Kadhum et al. 221/45
2011/0243668 A1* 10/2011 White 405/249
2011/0315576 A1* 12/2011 Rucinska et al. 206/223

* cited by examiner

Primary Examiner — Antoine D Davis

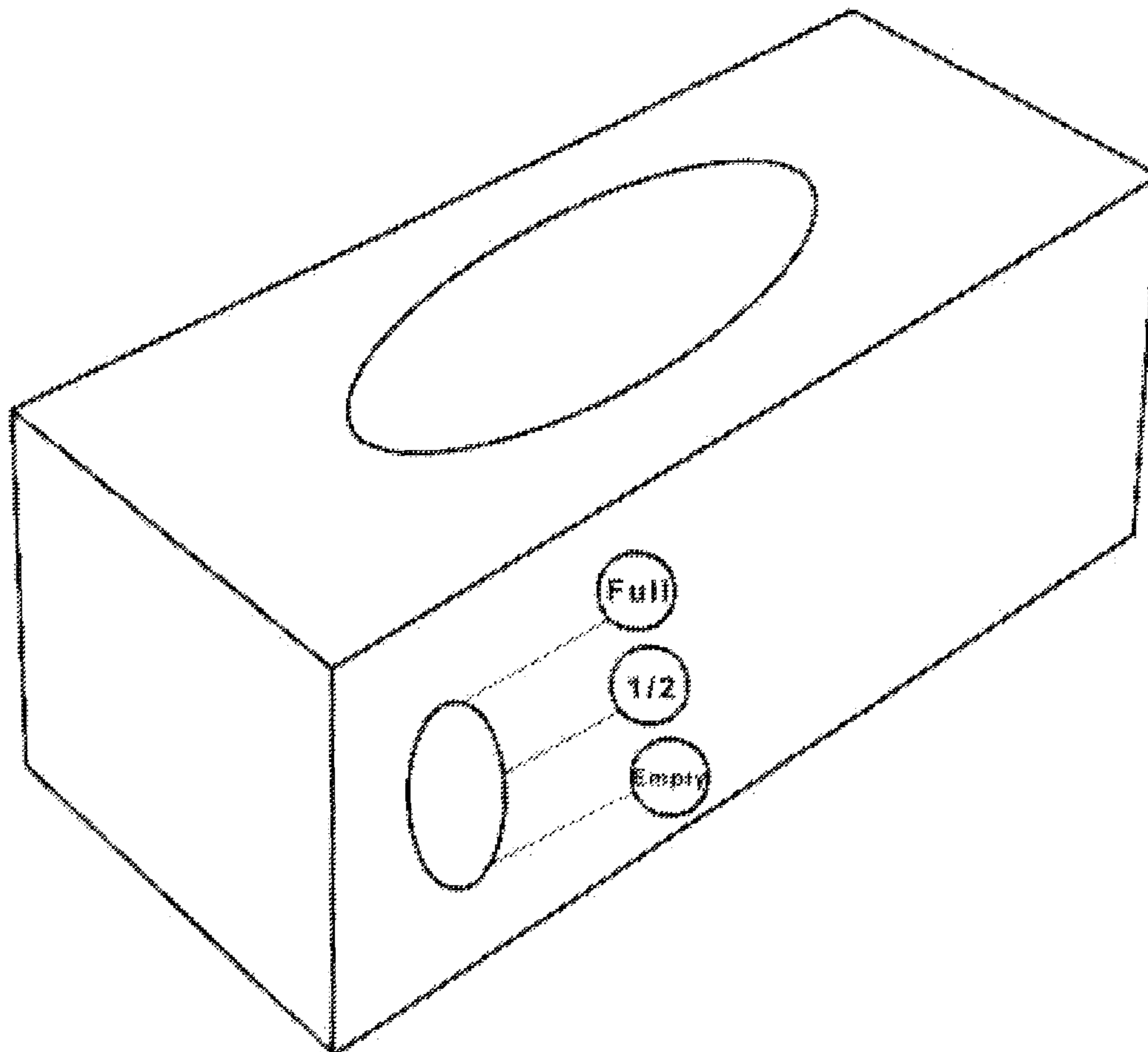
(57) **CLAIM**

I claim the ornamental design for a tissue level indicator, as shown and described.

DESCRIPTION

FIG. 1 is a front peripheral view of the tissue level indicator; and
FIG. 2 is a top view of the tissue level indicator; and
FIG. 3 is a side view of the tissue level indicator; and
FIG. 4 is a front peripheral view of the tissue level indicator containing a tissue box; and
FIG. 5 is a top view of the tissue level indicator containing a tissue box; and,
FIG. 6 is a side view of the tissue level indicator containing a tissue box.

1 Claim, 6 Drawing Sheets



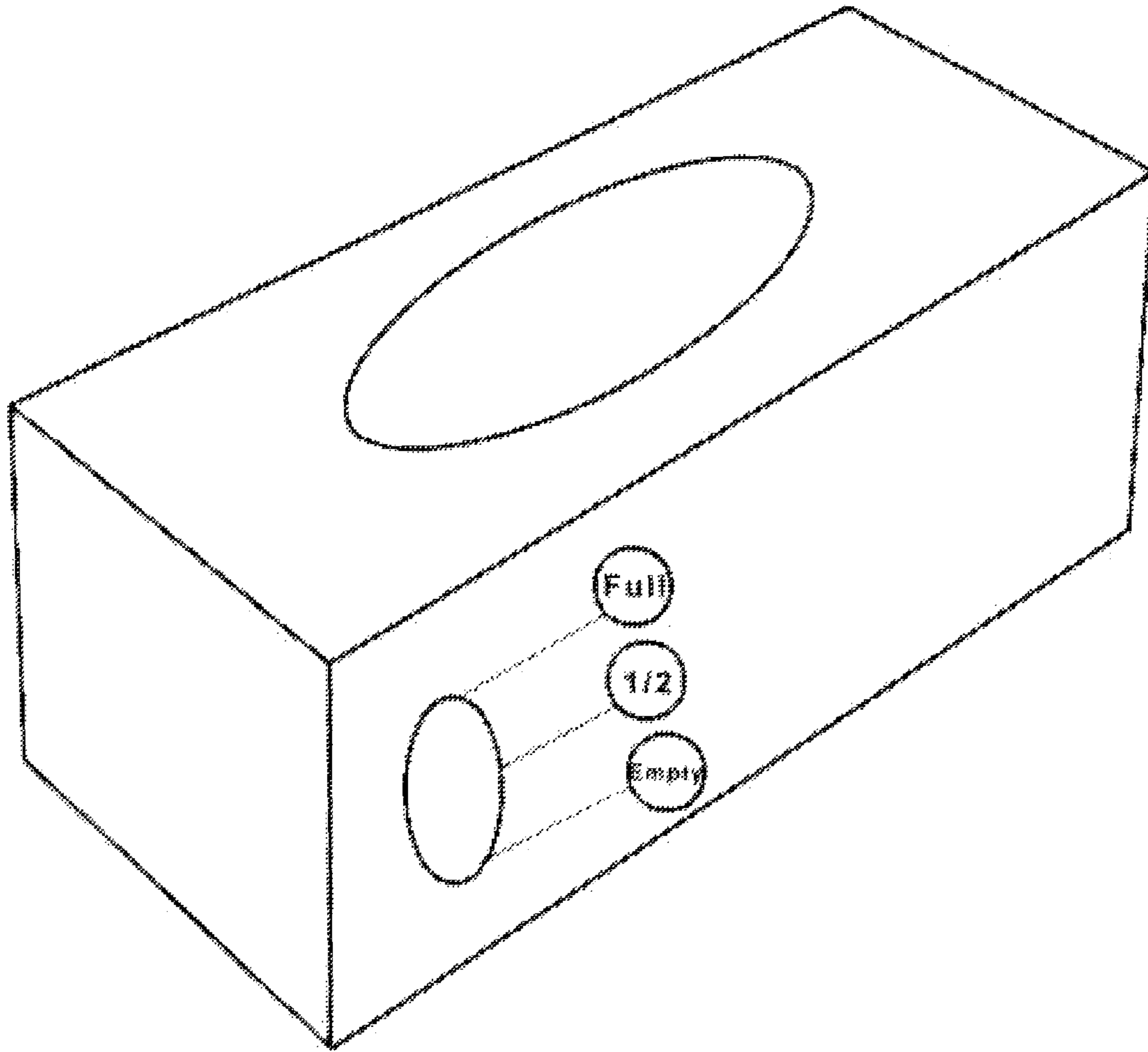


FIG 1

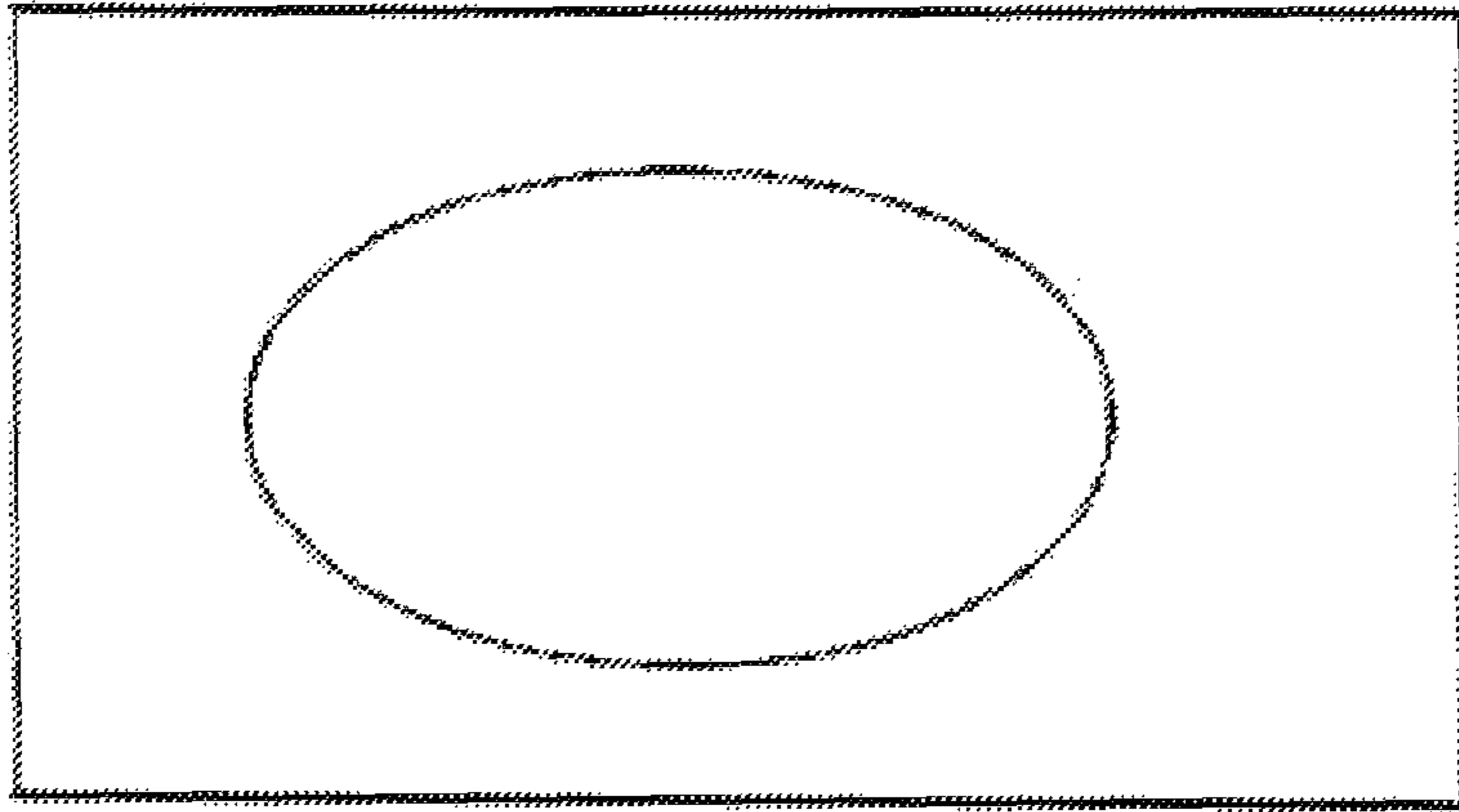


FIG 2

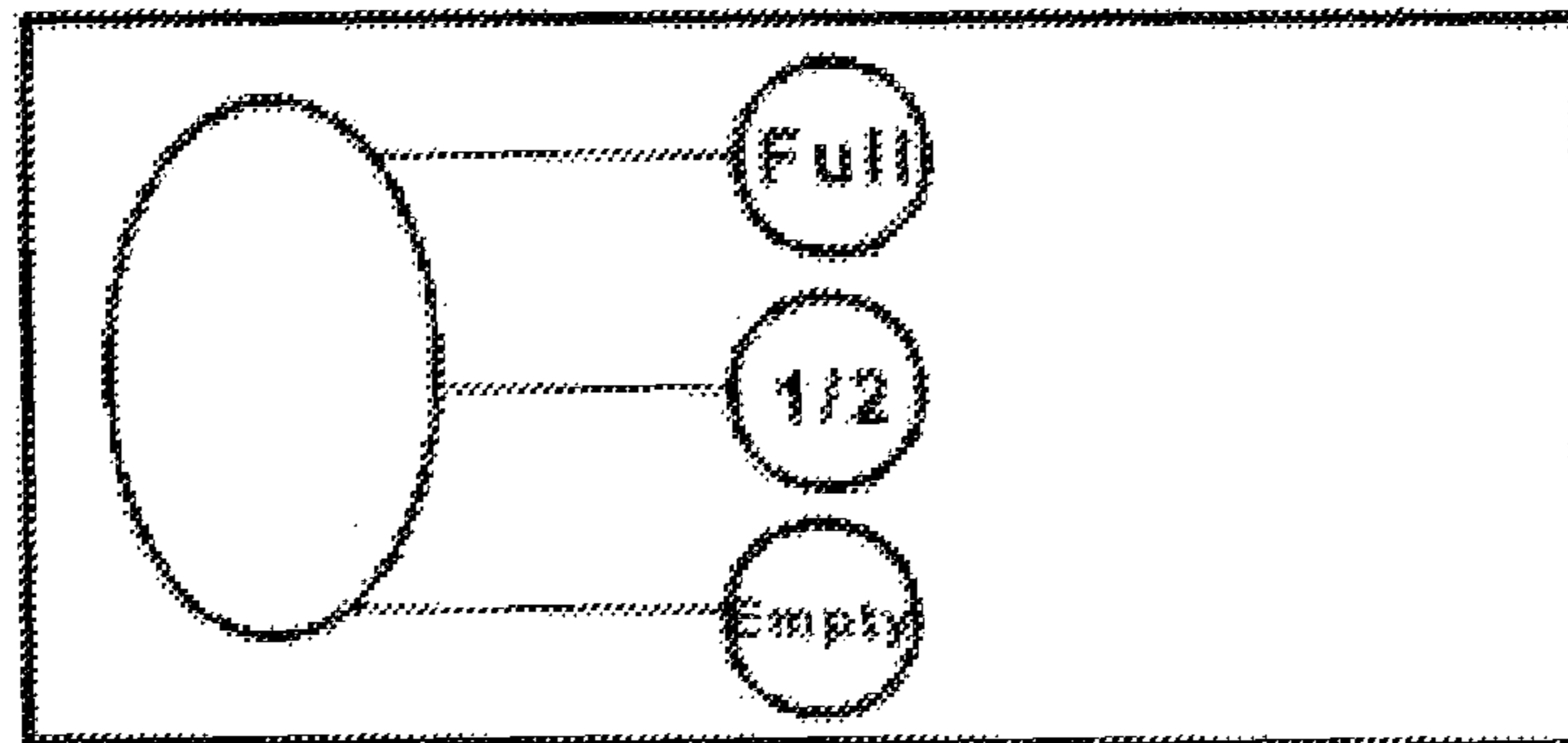


FIG 3

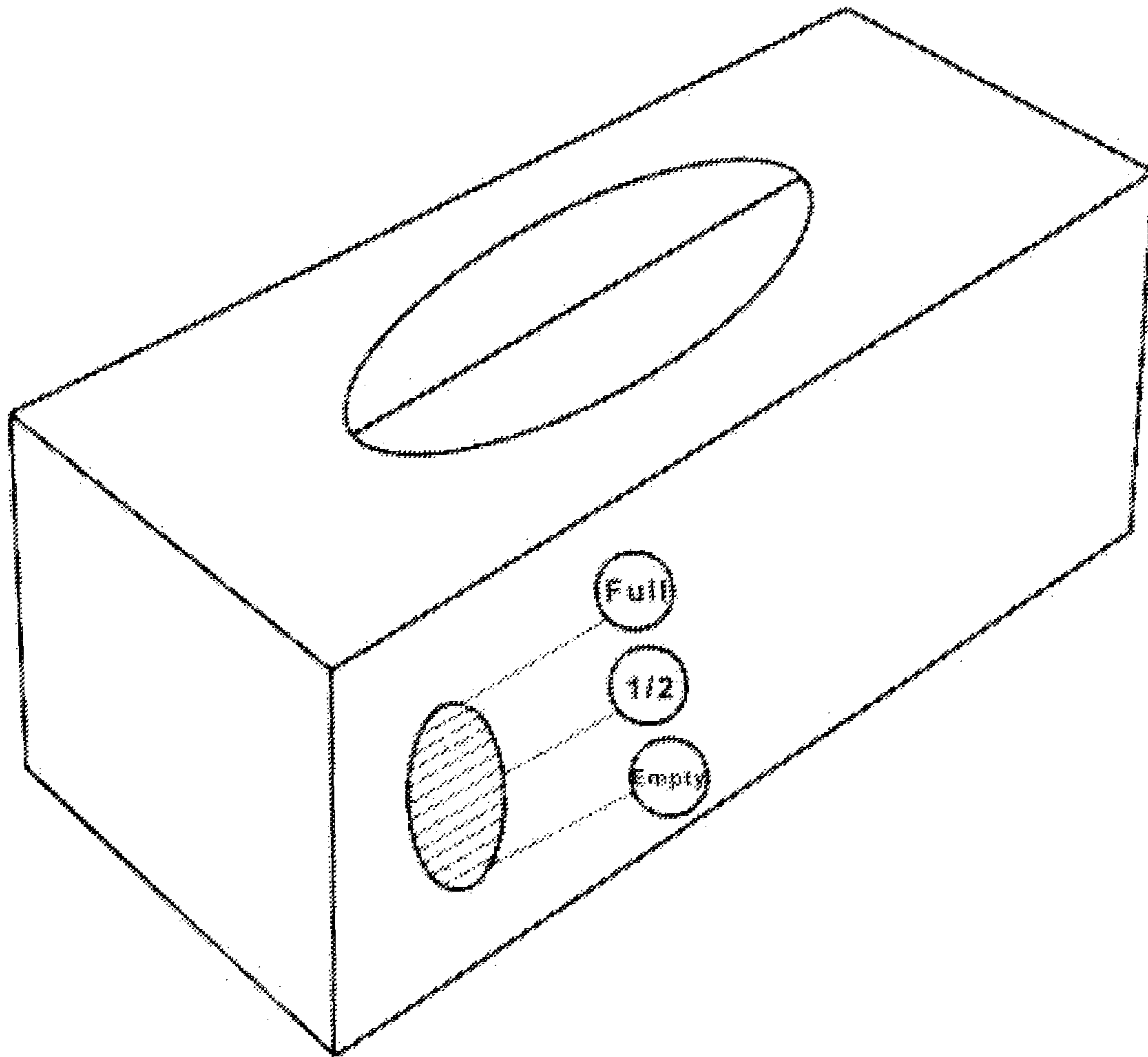


FIG 4

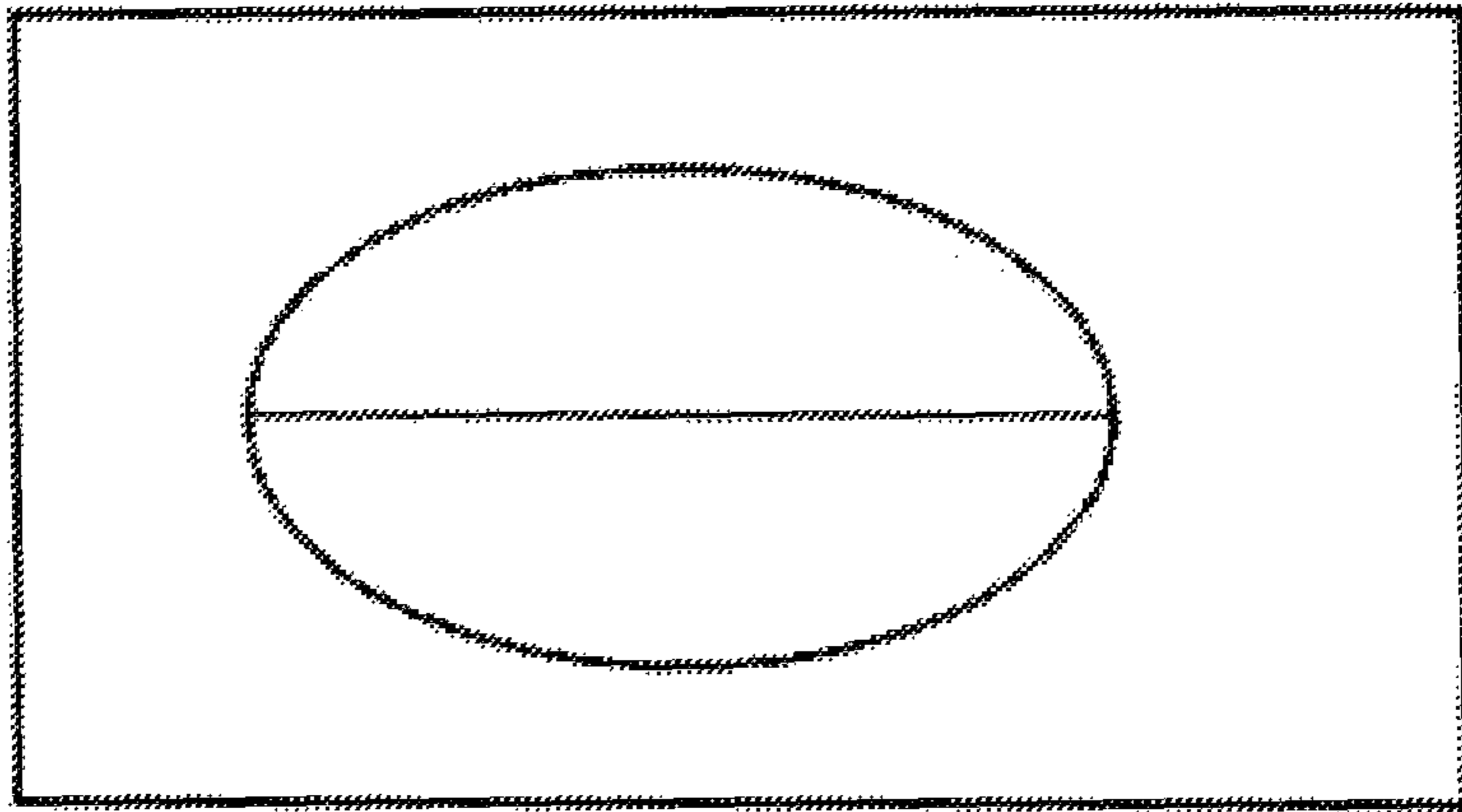


FIG 5

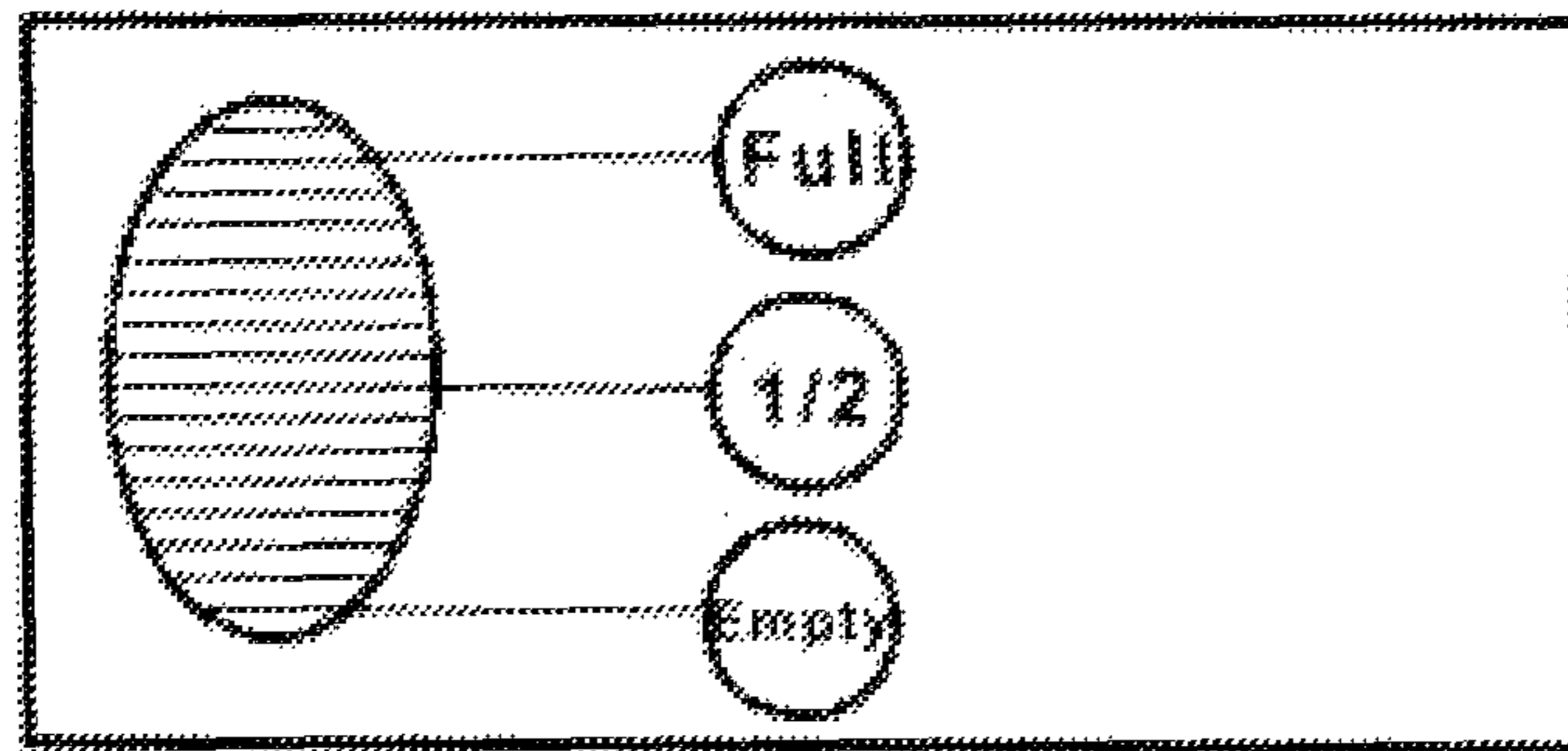


FIG 6