

US00D667735S

(12) **United States Design Patent**
Galli

(10) **Patent No.:** **US D667,735 S**
(45) **Date of Patent:** **** Sep. 25, 2012**

(54) **WATCH**

(75) **Inventor:** **Giorgio Galli, Milan (IT)**

(73) **Assignee:** **Salvatore Ferragamo S.p.A., Florence (IT)**

(**) **Term:** **14 Years**

(21) **Appl. No.:** **29/406,546**

(22) **Filed:** **Nov. 16, 2011**

(30) **Foreign Application Priority Data**

Jun. 3, 2011 (WO) DM/076131

(51) **LOC (9) Cl.** **10-02**

(52) **U.S. Cl.** **D10/39**

(58) **Field of Classification Search** D10/30-39,
D10/125; 368/276, 281, 282, 223, 228, 232
See application file for complete search history.

(56) **References Cited**

U.S. PATENT DOCUMENTS

D303,635 S *	9/1989	Kurzina	D10/32
D324,182 S *	2/1992	Boucheron	D10/39
D325,876 S *	5/1992	Klepper	D10/31
D352,007 S *	11/1994	Boucheron	D10/39
D361,728 S *	8/1995	Bulgari	D10/39

D370,637 S *	6/1996	Oba	D10/30
D370,638 S *	6/1996	Oba	D10/30
D396,811 S *	8/1998	Bulgari	D10/39
D423,374 S *	4/2000	Deleskiewicz	D10/32
D423,952 S *	5/2000	Inui et al.	D10/39
D424,951 S *	5/2000	Inui et al.	D10/30
D434,676 S *	12/2000	Pequignet	D10/32
D440,886 S *	4/2001	Burgener	D10/32
D447,425 S *	9/2001	Bodino	D10/32
D476,582 S *	7/2003	Sugiura	D10/32
D575,167 S *	8/2008	Giannini	D10/32
D638,722 S *	5/2011	Jacobs	D10/32
D640,574 S *	6/2011	Giannini	D10/32

* cited by examiner

Primary Examiner — Lucy Lieberman

(74) *Attorney, Agent, or Firm* — Lucas & Mercanti, LLP

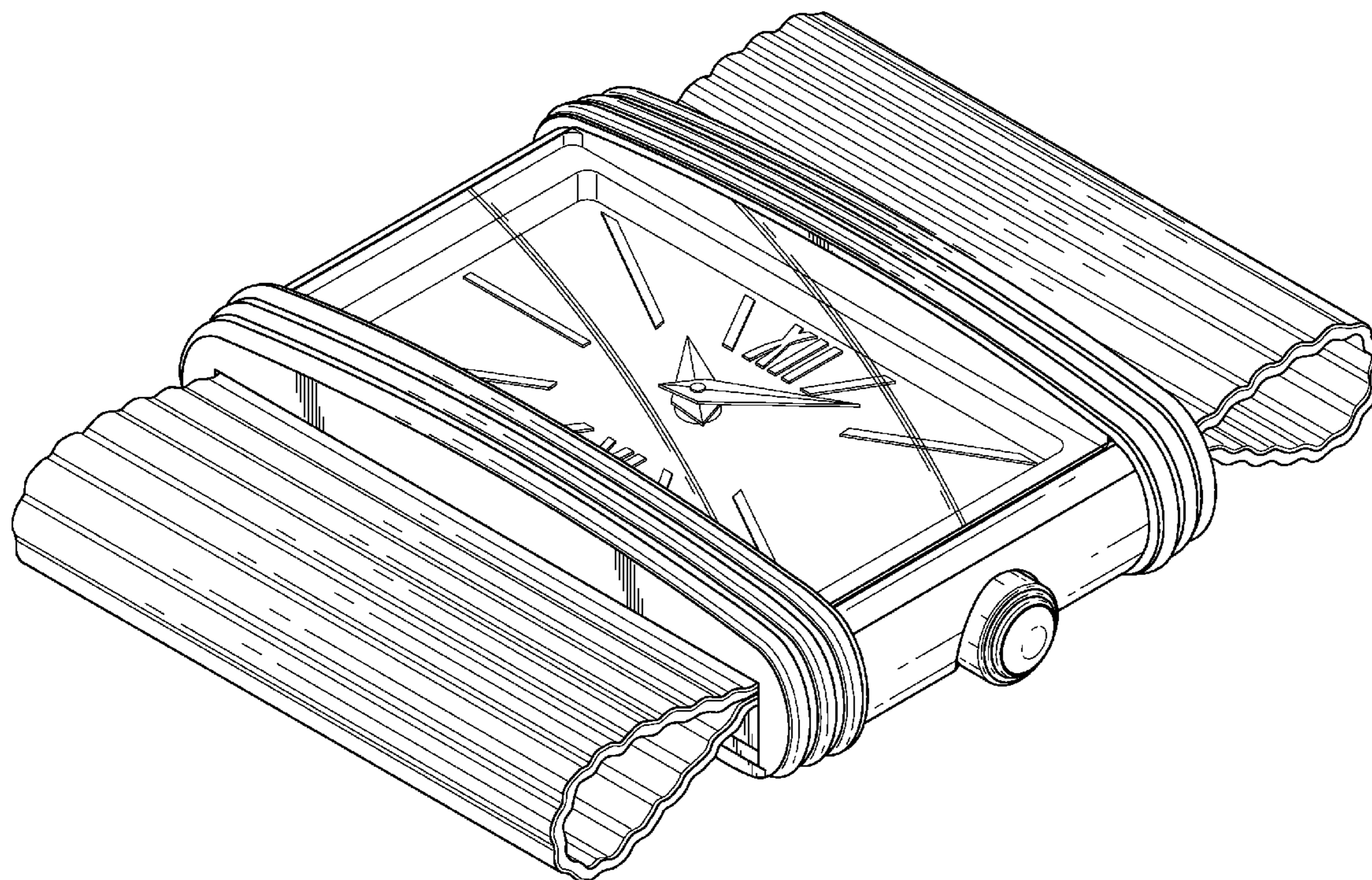
(57) **CLAIM**

The ornamental design for a watch, as shown and described.

DESCRIPTION

FIG. 1 is a perspective view of the watch;
FIG. 2 is a front view of the watch;
FIG. 3 is a back view of the watch;
FIG. 4 is a right side view of the watch;
FIG. 5 is a bottom view of the watch, the top view being a mirror image thereof; and,
FIG. 6 is a left side view of the watch.

1 Claim, 6 Drawing Sheets



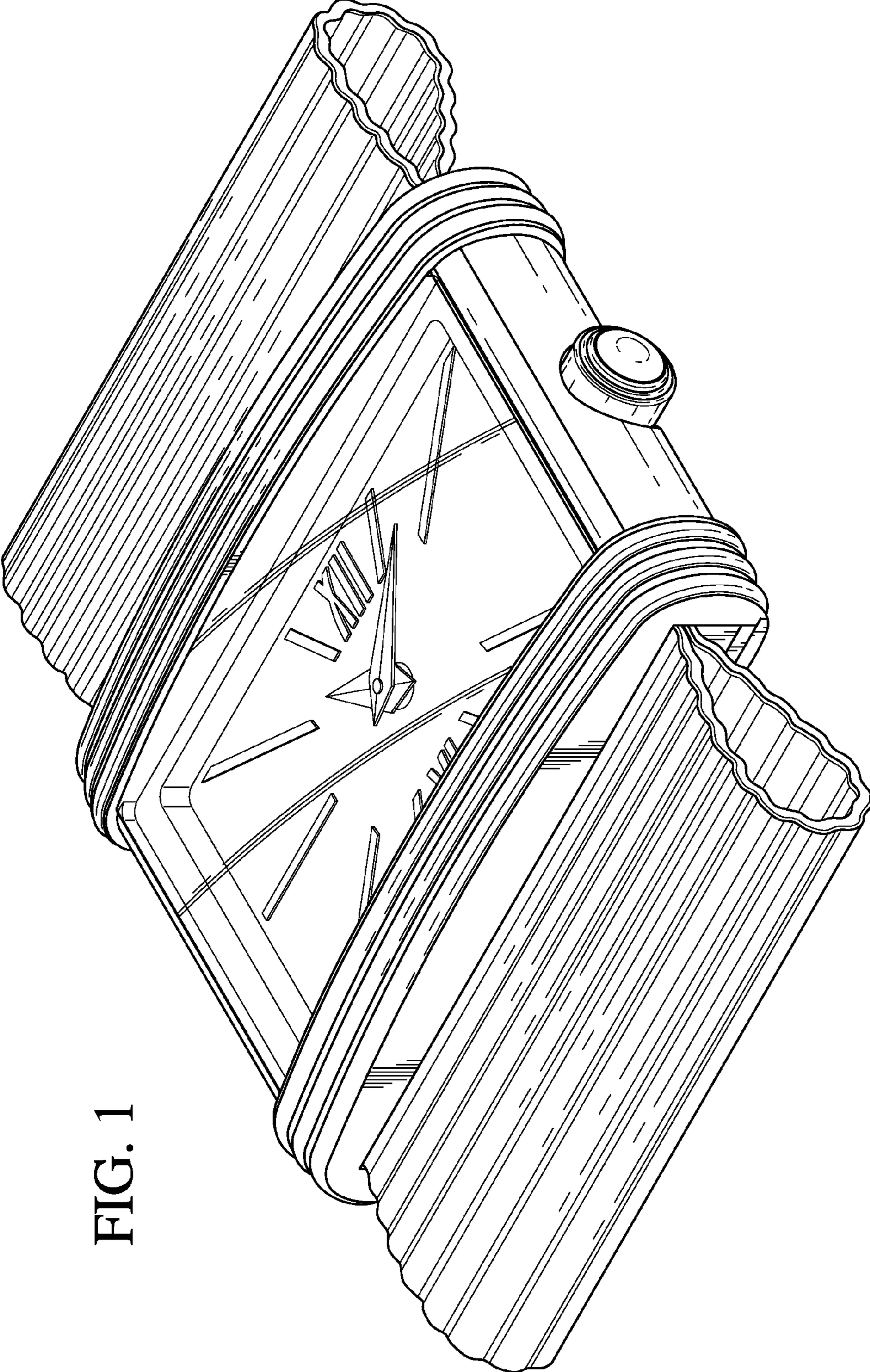


FIG. 1

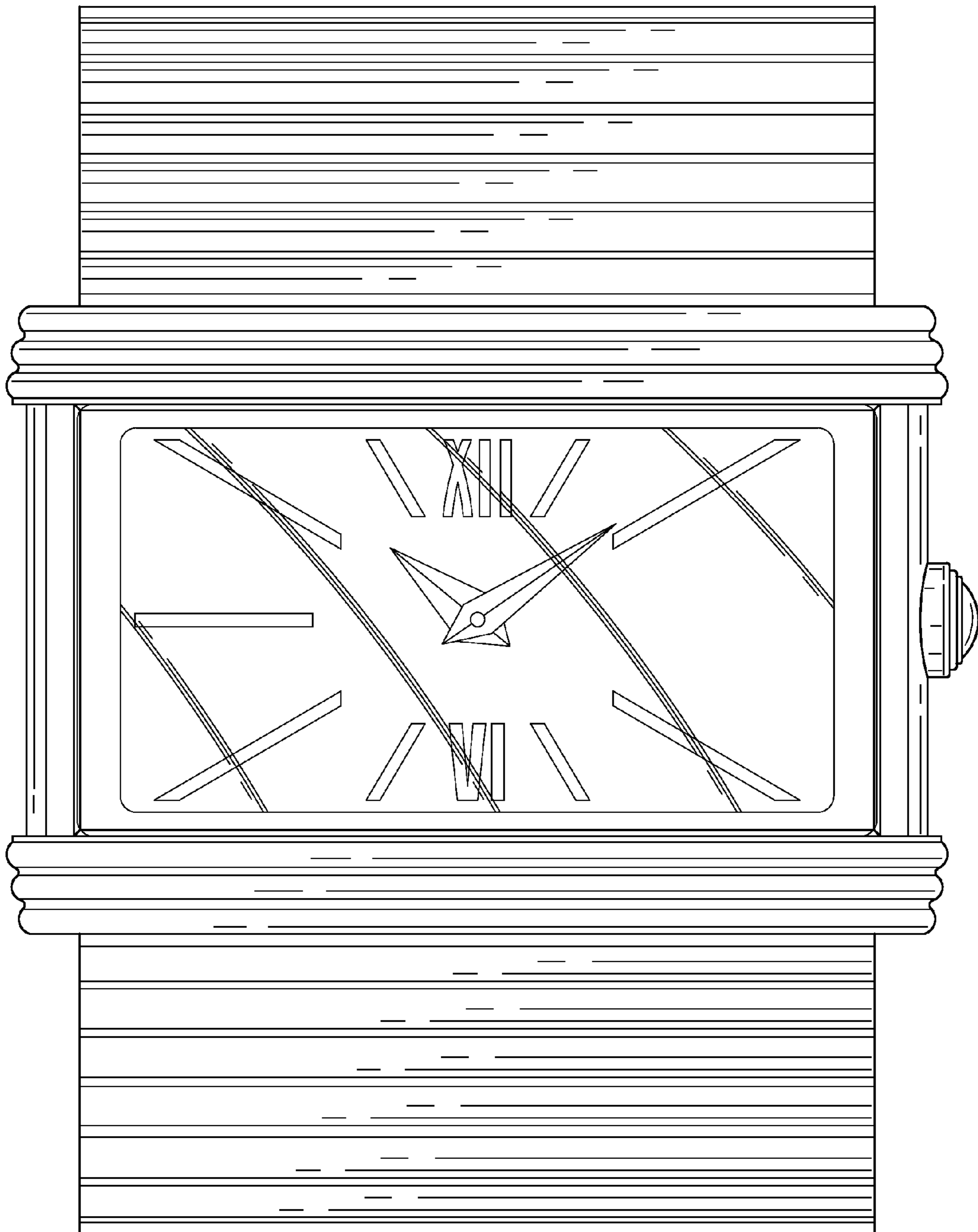


FIG. 2

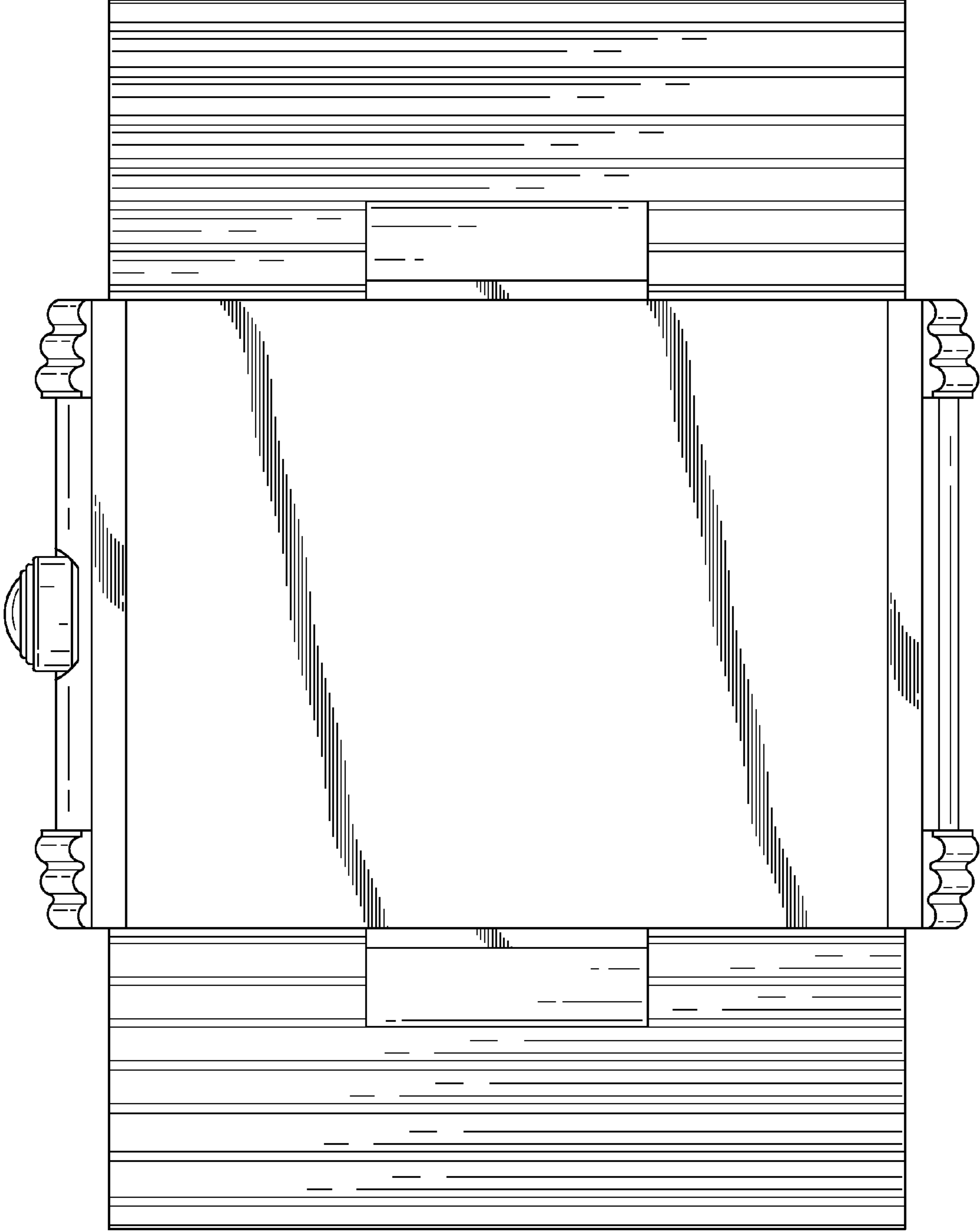


FIG. 3

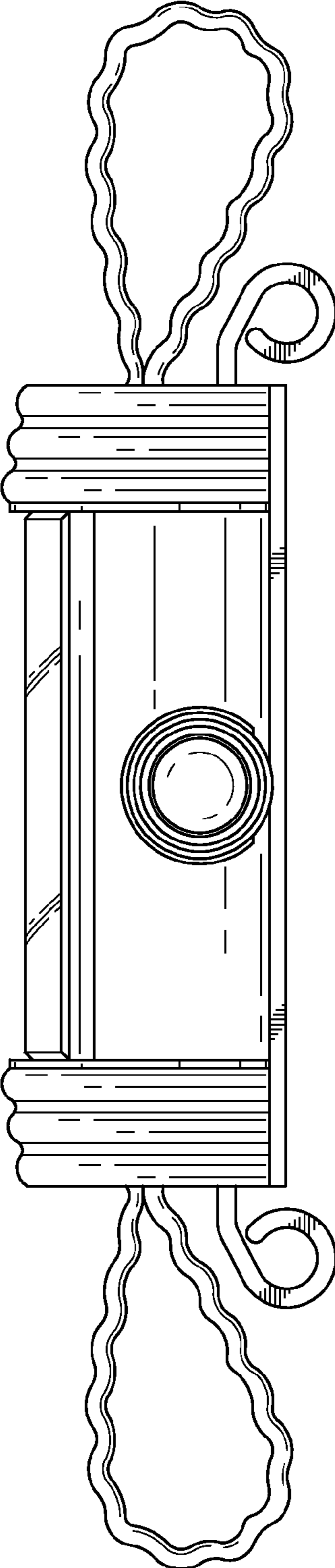


FIG. 4

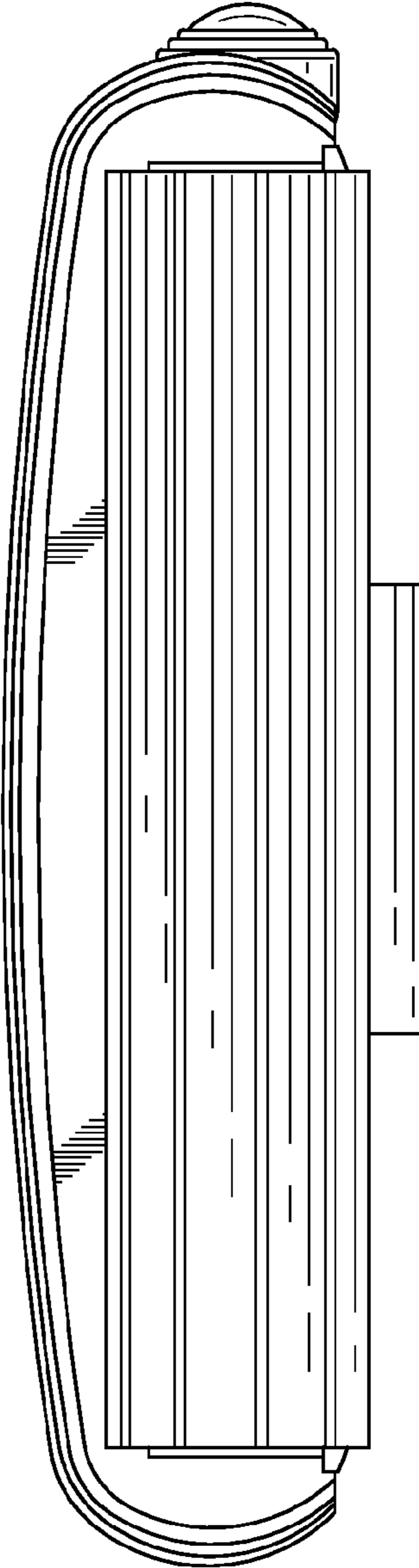


FIG. 5

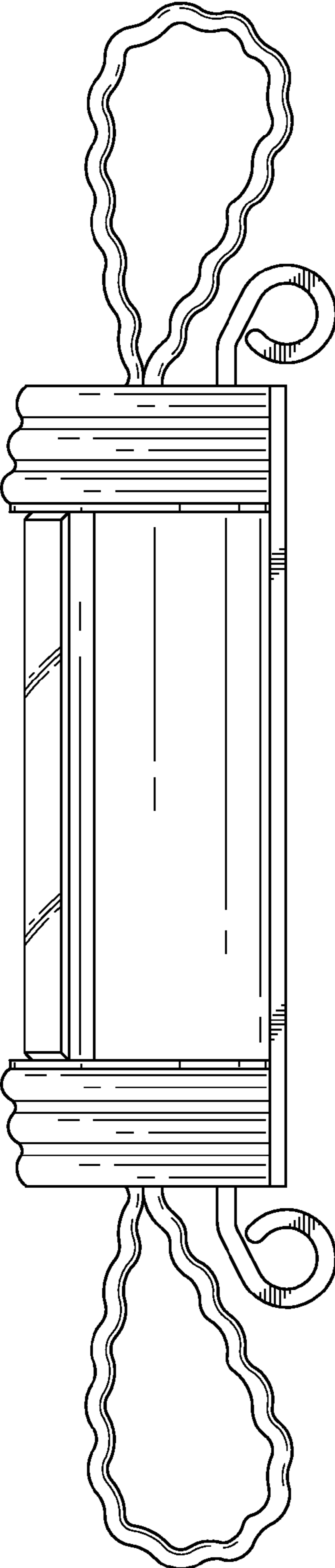


FIG. 6