



US00D667734S

(12) **United States Design Patent**  
**Goodman**

(10) **Patent No.:** **US D667,734 S**

(45) **Date of Patent:** **\*\* Sep. 25, 2012**

(54) **CONTAINER**

(76) **Inventor:** **Burt Goodman**, Auburn, WA (US)

(\*\*) **Term:** **14 Years**

(21) **Appl. No.:** **29/411,763**

(22) **Filed:** **Jan. 25, 2012**

(51) **LOC (9) Cl.** ..... **09-03**

(52) **U.S. Cl.** ..... **D9/737; D9/424**

(58) **Field of Classification Search** ..... D9/737,  
D9/761, 424, 430-432, 420, 422, 425; D7/550,  
D7/553, 555; 206/561, 564; 220/500, 555,  
220/657, 659, 904; 229/404  
See application file for complete search history.

(56) **References Cited**

**U.S. PATENT DOCUMENTS**

D94,870 S	4/1934	Buck	
D195,375 S *	6/1963	Bostrom	D9/425
D197,584 S *	2/1964	Nascher	D9/425
3,342,397 A *	9/1967	Duitsman	229/406
3,381,873 A *	5/1968	Hirota	206/521.1
3,933,296 A *	1/1976	Ruskin et al.	229/406
4,026,457 A	5/1977	Schubert	
D260,243 S *	8/1981	Dogliotti	D7/531
D281,229 S *	11/1985	Tyler	D9/425
D297,116 S	8/1988	Fontana et al.	
D317,569 S *	6/1991	Lane, Sr.	D9/425
D328,566 S	8/1992	Griesbach et al.	
D334,536 S *	4/1993	Long et al.	D9/425
D339,743 S *	9/1993	Zellner et al.	D9/761
5,277,920 A	1/1994	Weaver, Jr.	
5,312,634 A *	5/1994	Griesbach et al.	426/106
D351,792 S *	10/1994	Morris, Sr.	D9/425
D363,662 S *	10/1995	Plater	D9/425

D363,879 S *	11/1995	Krupa et al.	D9/423
D393,798 S	4/1998	Joswick	
D394,001 S	5/1998	Vilos	
D414,409 S *	9/1999	Sanfilippo et al.	D9/761
D446,719 S *	8/2001	Garraway	D9/425
D449,522 S *	10/2001	Brown	D9/425
D451,278 S *	12/2001	Cooper	D3/294
D495,920 S *	9/2004	Isler et al.	D7/354
D502,096 S *	2/2005	Wilcock et al.	D9/425
D529,820 S	10/2006	Kissner et al.	
D531,054 S *	10/2006	Sagel	D9/737
D595,154 S *	6/2009	Nicholson et al.	D9/737

\* cited by examiner

*Primary Examiner* — Mark Goodwin

(74) *Attorney, Agent, or Firm* — Graybeal Jackson LLP;  
Thomas E. Loop

(57) **CLAIM**

The ornamental design for a container, as shown and described.

**DESCRIPTION**

FIG. 1 is a front elevated perspective view of a container showing my new design;

FIG. 2 is a front elevated view of the container of FIG. 1 showing a side portion bent upwardly along a score line.

FIG. 3 is a top view of FIG. 1.

FIG. 4 is a bottom view of FIG. 1.

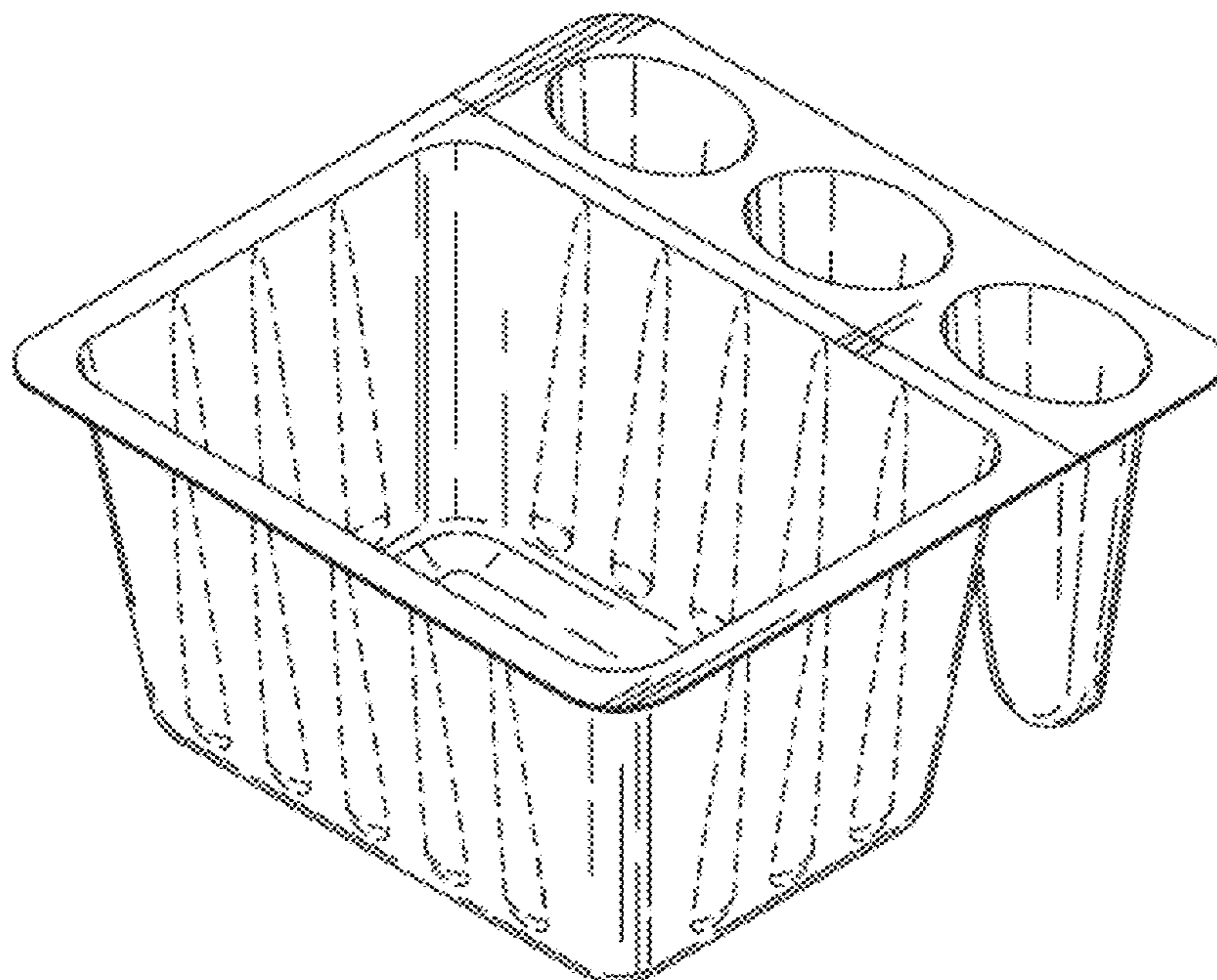
FIG. 5 is a first side view of FIG. 1.

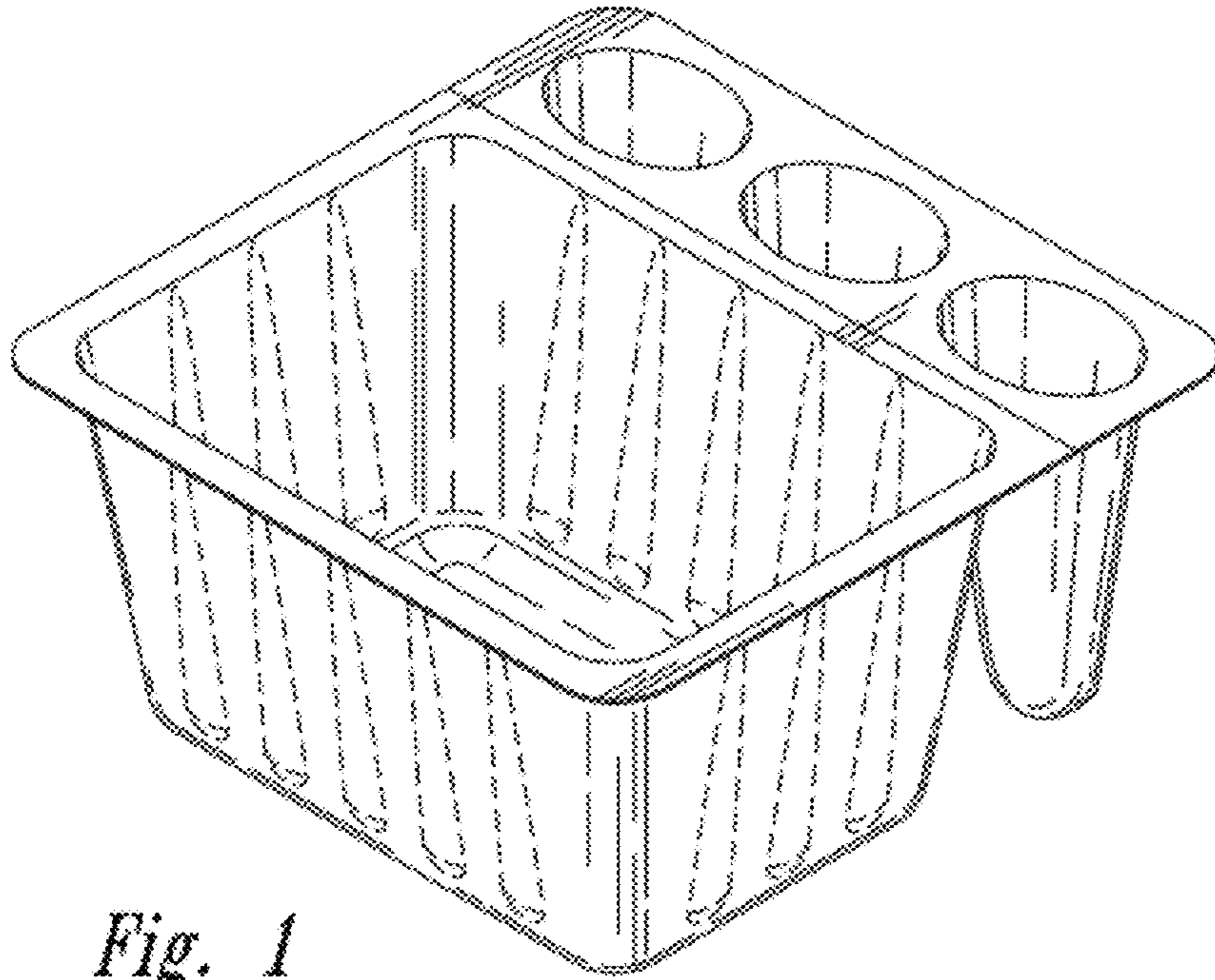
FIG. 6 is a second side view of FIG. 1; and,

FIG. 7 is an end view of FIG. 1.

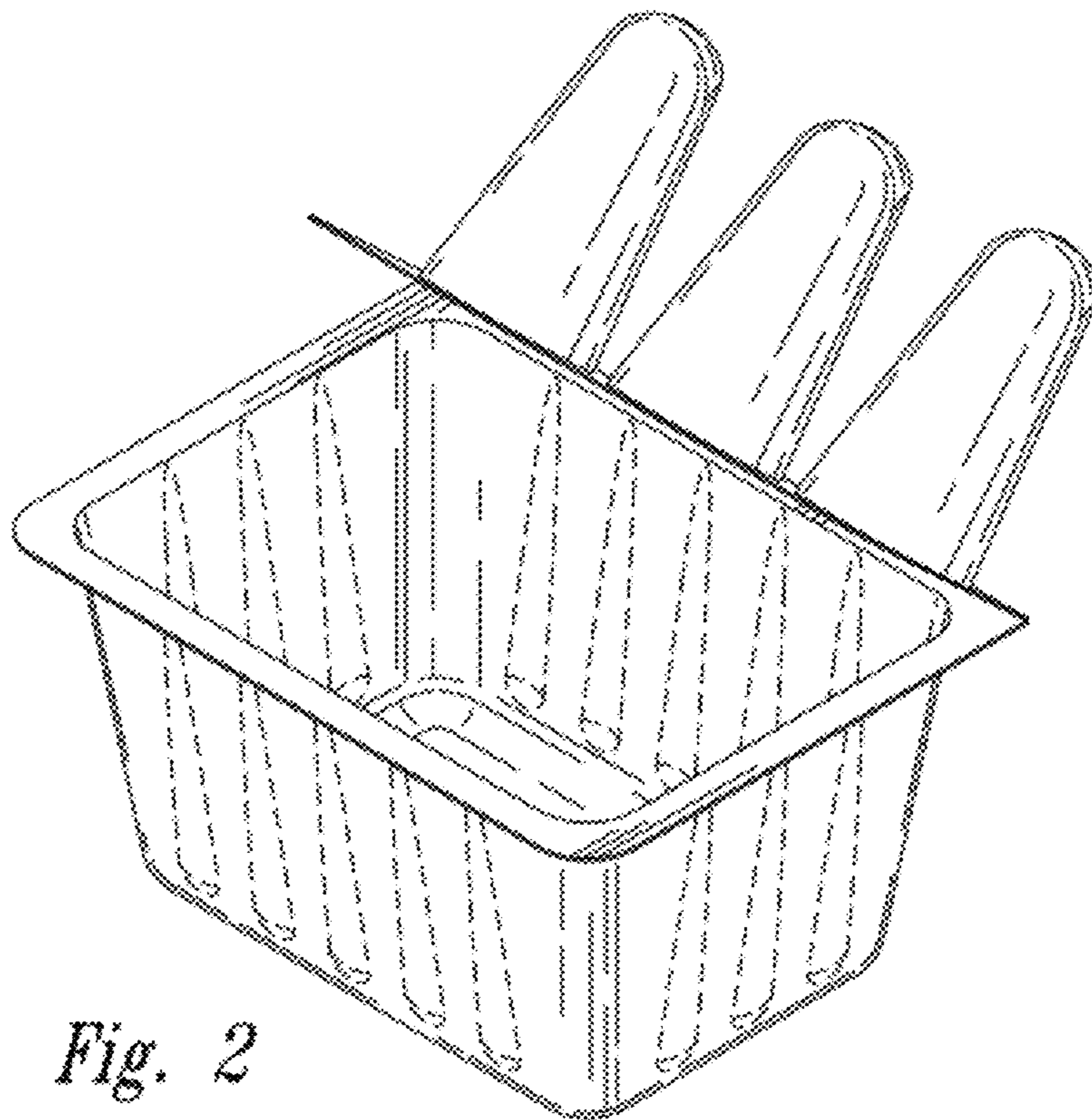
The details shown in broken lines form no part of the claimed design.

**1 Claim, 3 Drawing Sheets**

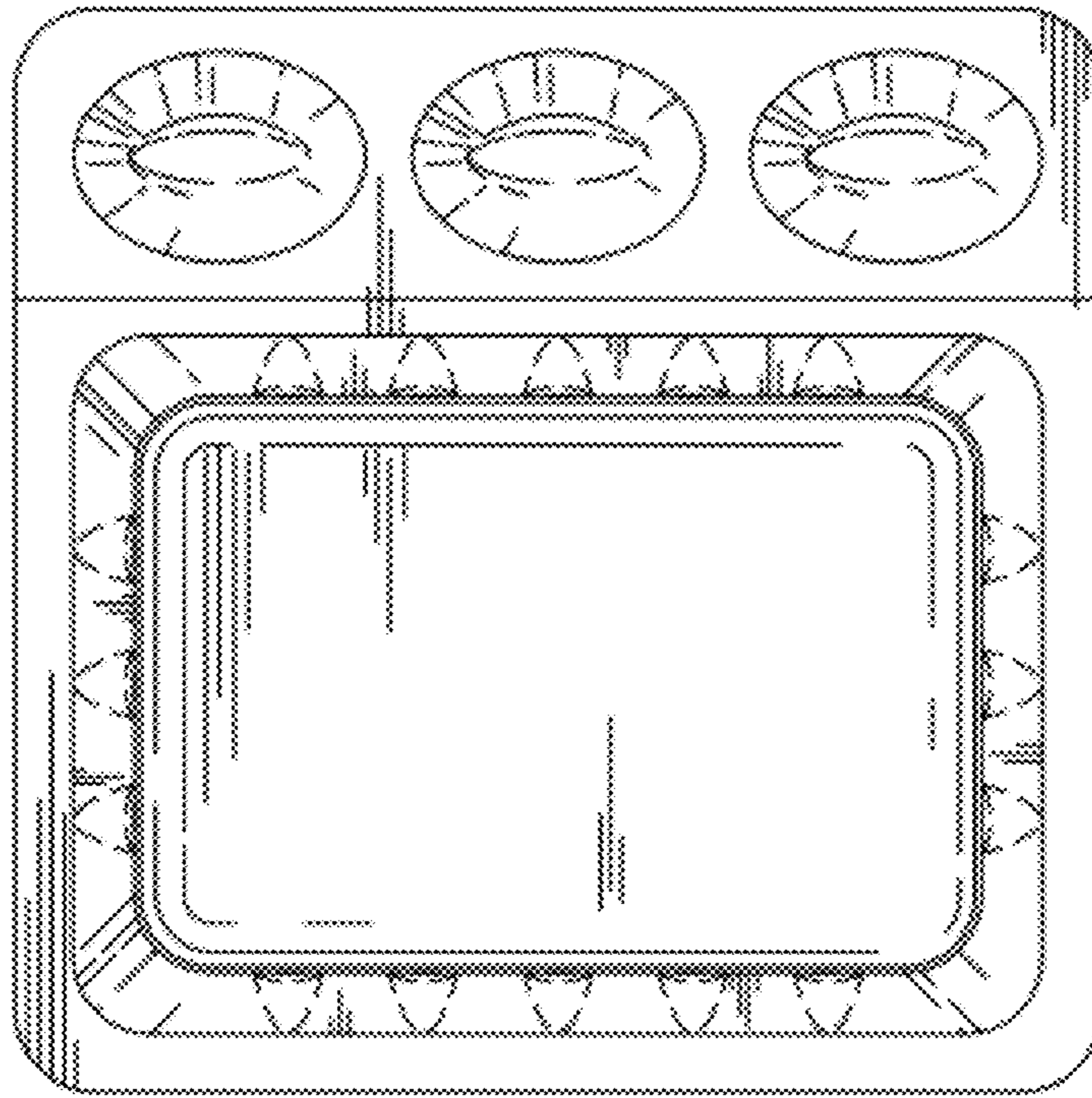




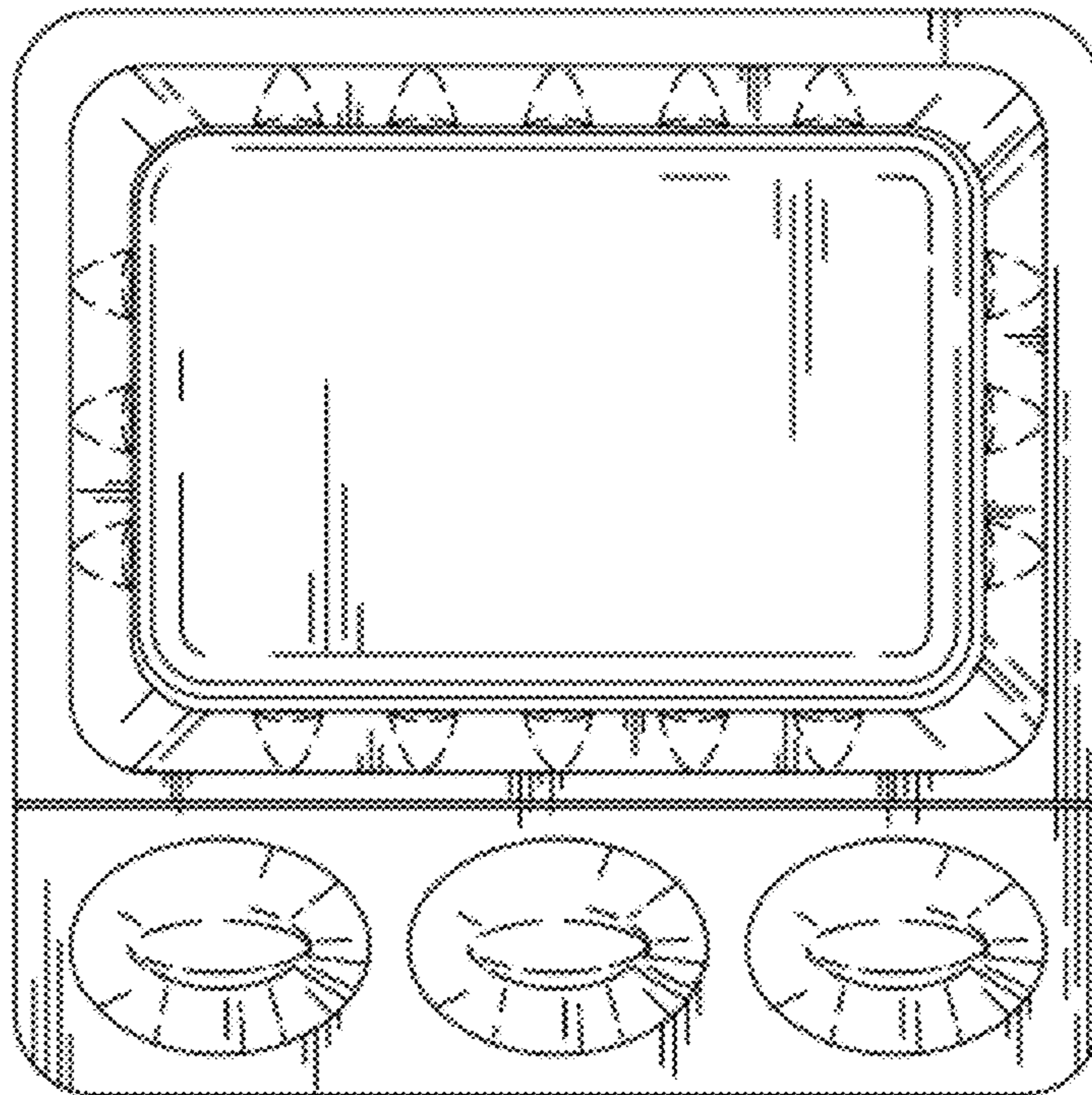
*Fig. 1*



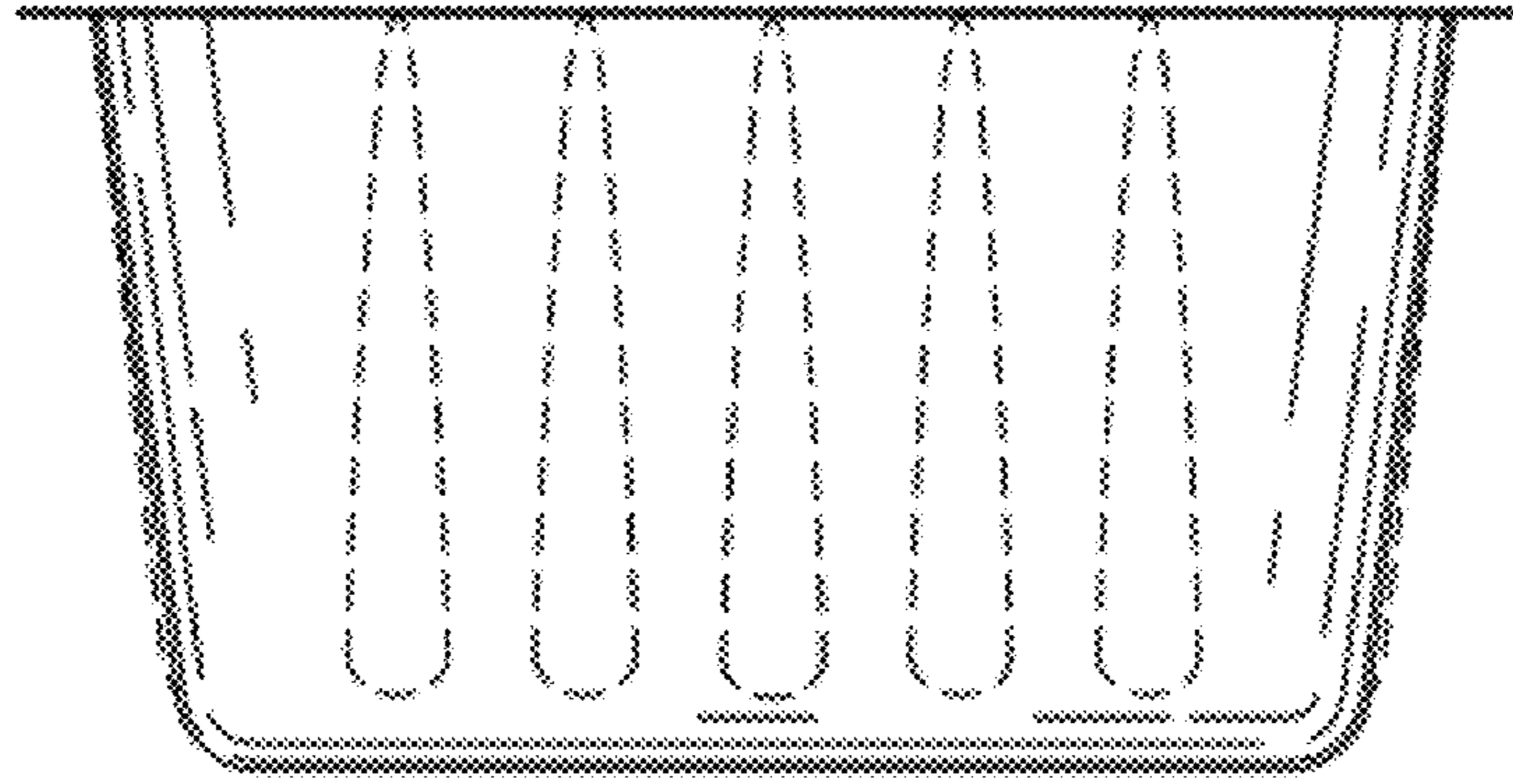
*Fig. 2*



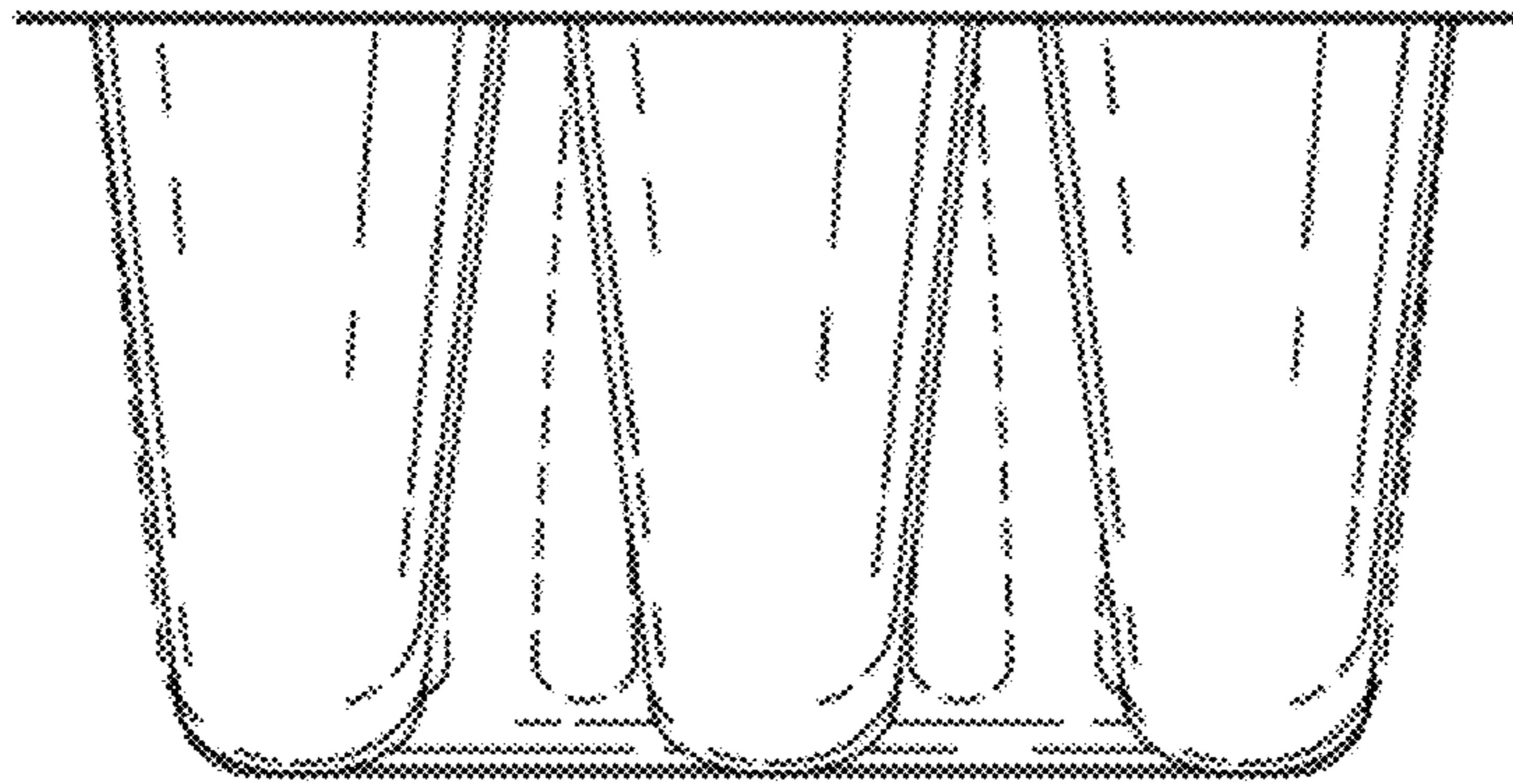
*Fig. 3*



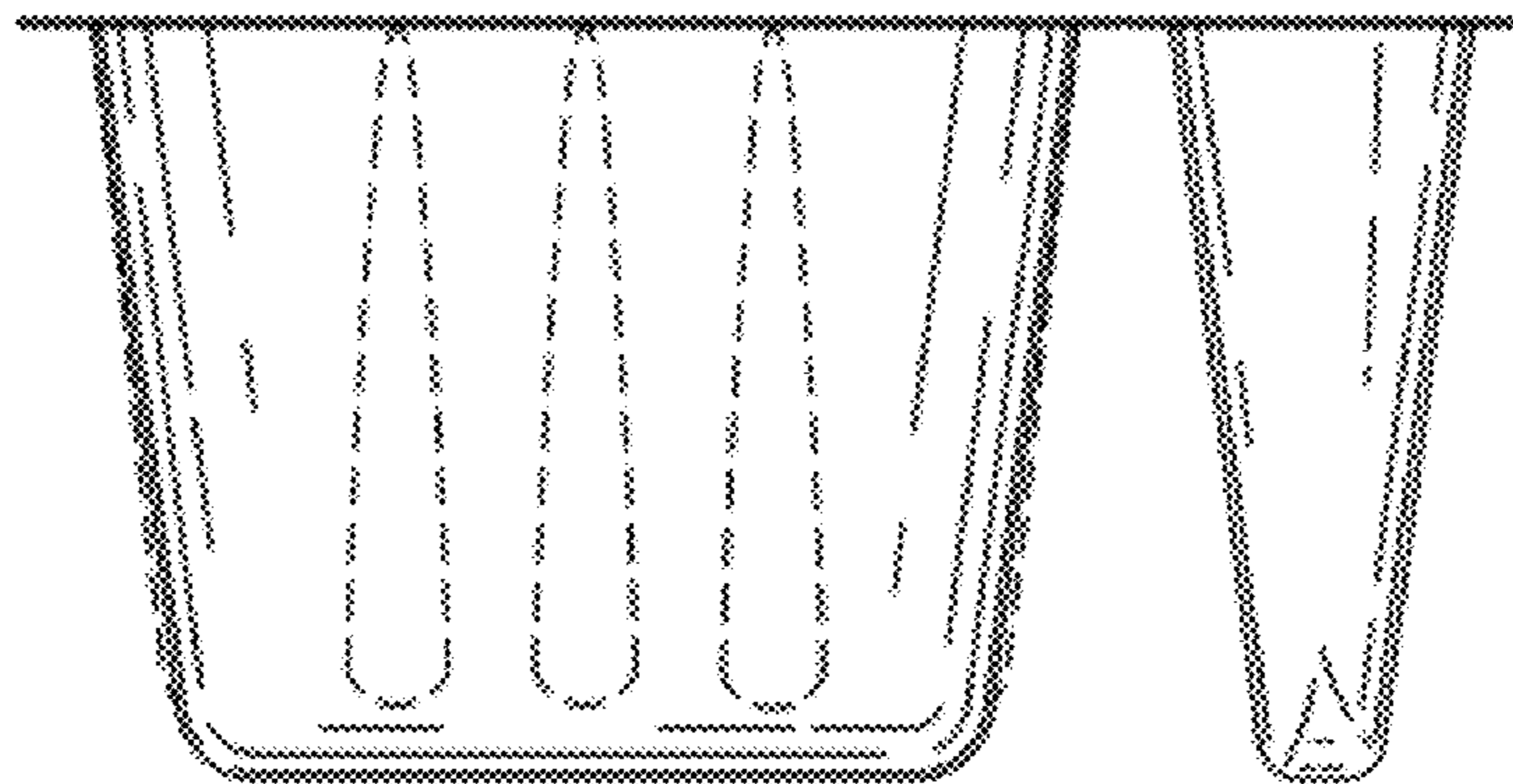
*Fig. 4*



*Fig. 5*



*Fig. 6*



*Fig. 7*