



US00D667733S

(12) **United States Design Patent**
Beihoffer et al.

(10) **Patent No.:** **US D667,733 S**
(45) **Date of Patent:** **** Sep. 25, 2012**

(54) **DISPENSER PACKAGE**

(75) Inventors: **Thomas W. Beihoffer**, Arlington Heights, IL (US); **Kevin Cureton**, Evanston, IL (US)

(73) Assignee: **AMCOL International Corporation**, Hoffman Estates, IL (US)

(**) Term: **14 Years**

(21) Appl. No.: **29/366,896**

(22) Filed: **Jul. 30, 2010**

(51) **LOC (9) Cl.** **09-03**

(52) **U.S. Cl.** **D9/734**

(58) **Field of Classification Search** 222/92, 222/99, 101, 173, 180, 526, 528, 532, 541.1, 222/542, 564; 221/26, 33, 45, 63, 244, 282-284; 206/384, 494, 225, 233, 389, 391, 812, 824; 211/13.1, 45; 224/925; 242/570, 590; 248/309.1, 248/309.2, 905; D12/17, 19; D3/903; D9/730, D9/734, 736, 414, 420-425, 430-432, 512, D9/515, 518, 523; D6/512, 515-523
See application file for complete search history.

(56) **References Cited**

U.S. PATENT DOCUMENTS

4,185,754	A	1/1980	Julius	
D285,777	S *	9/1986	Forbes, Jr.	D9/416
4,735,317	A	4/1988	Sussman et al.	
4,790,436	A	12/1988	Nakamura	
4,848,575	A	7/1989	Nakamura et al.	
5,647,506	A	7/1997	Julius	
6,026,953	A *	2/2000	Nakamura et al.	206/233
D432,912	S *	10/2000	Lubineau-Bigot et al.	D9/416
6,267,262	B1 *	7/2001	Wilner	221/45
6,296,144	B1 *	10/2001	Tanaka et al.	221/45
6,419,114	B1 *	7/2002	Lenz et al.	221/47
6,431,360	B1 *	8/2002	Julius	206/494
D484,405	S *	12/2003	Morin	D9/416
D504,314	S *	4/2005	Kim	D9/416

6,964,349	B2 *	11/2005	Sears et al.	221/48
7,104,419	B2	9/2006	Fagen et al.	
D604,631	S	11/2009	Duncan	
7,661,554	B2 *	2/2010	Szymonski et al.	221/50
D629,309	S	12/2010	Stewart	

(Continued)

Primary Examiner — Thomas Johannes

(74) *Attorney, Agent, or Firm* — Marshall, Gerstein & Borun LLP; James J. Napoli; Richard M. LaBarge

(57) **CLAIM**

The ornamental design for a dispenser package, as shown and described.

DESCRIPTION

FIG. 1 is a front, top, and side perspective view of a first embodiment of a dispenser package showing our new design; FIG. 2 is front elevation view thereof; the rear elevation view is the same;

FIG. 3 is a side elevation view thereof; the opposite side elevation view is the same;

FIG. 4 is a top plan view thereof;

FIG. 5 is a front, top and side perspective view thereof with the re-sealable lid in an open position;

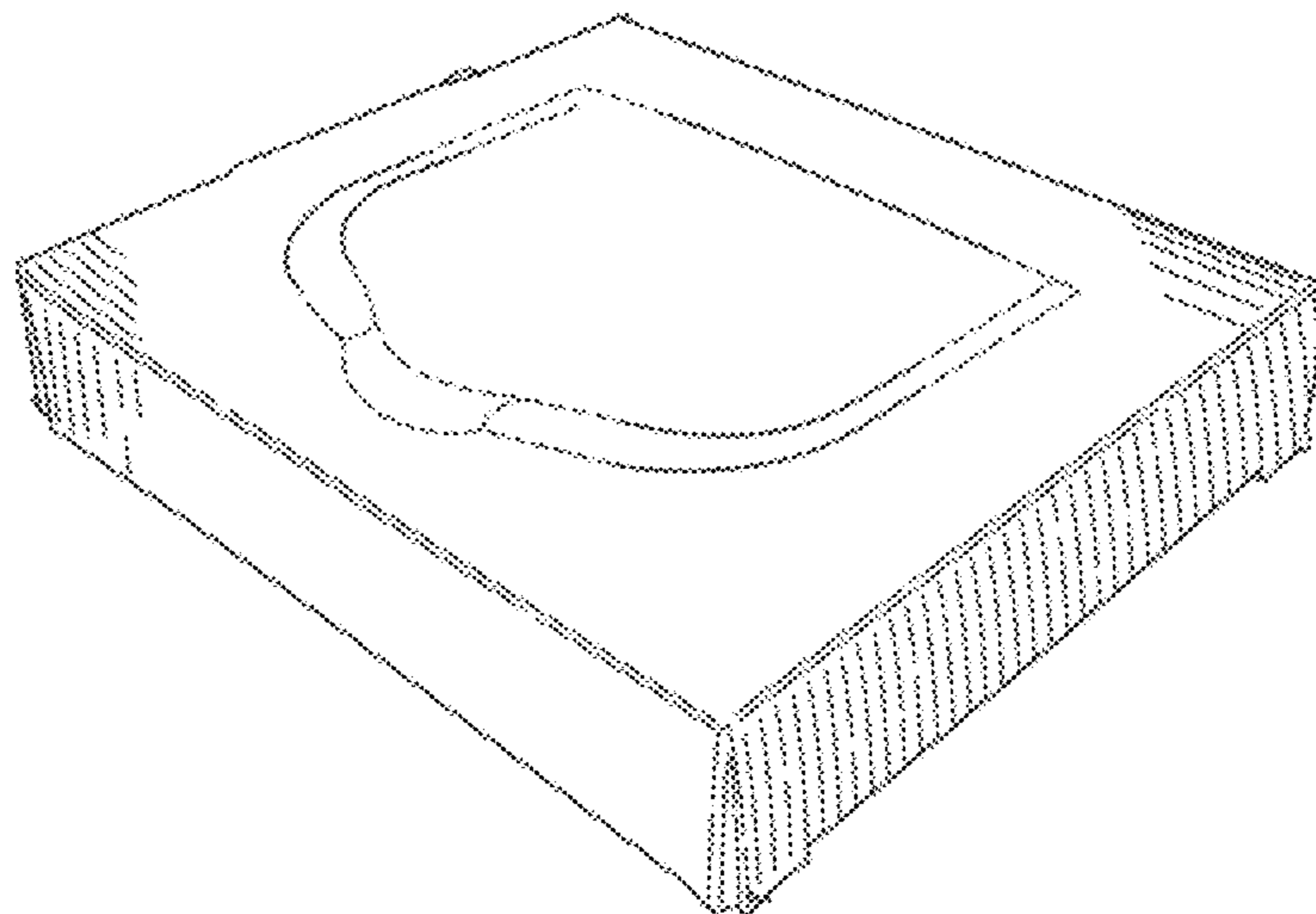
FIG. 6 is a top plan view of an inner package that forms a component thereof;

FIG. 7 is a front, top and side perspective view of a second embodiment of a dispenser package showing our new design; FIG. 8 is side elevation view thereof; the opposite side elevation view is the same; and,

FIG. 9 is a front elevation view thereof; the rear elevation view is the same.

The words that appear in the photographs are not part of the claimed design, nor is the precise overall length, width, and height of the outer carton seen in the photographs; the special dot-dash broken line defines the bounds of the claimed design and forms no part of the claimed design.

1 Claim, 4 Drawing Sheets



US D667,733 S

Page 2

U.S. PATENT DOCUMENTS

D635,454 S *	4/2011	Witte et al.	D9/416	2010/0012533 A1	1/2010	Burgess	
2005/0167311 A1	8/2005	Tonsfeldt et al.		2010/0154264 A1	6/2010	Scott et al.	
2009/0205981 A1	8/2009	Daul		2010/0308072 A1*	12/2010	Hood et al.	221/45
2009/0273179 A1	11/2009	Scott et al.					

* cited by examiner

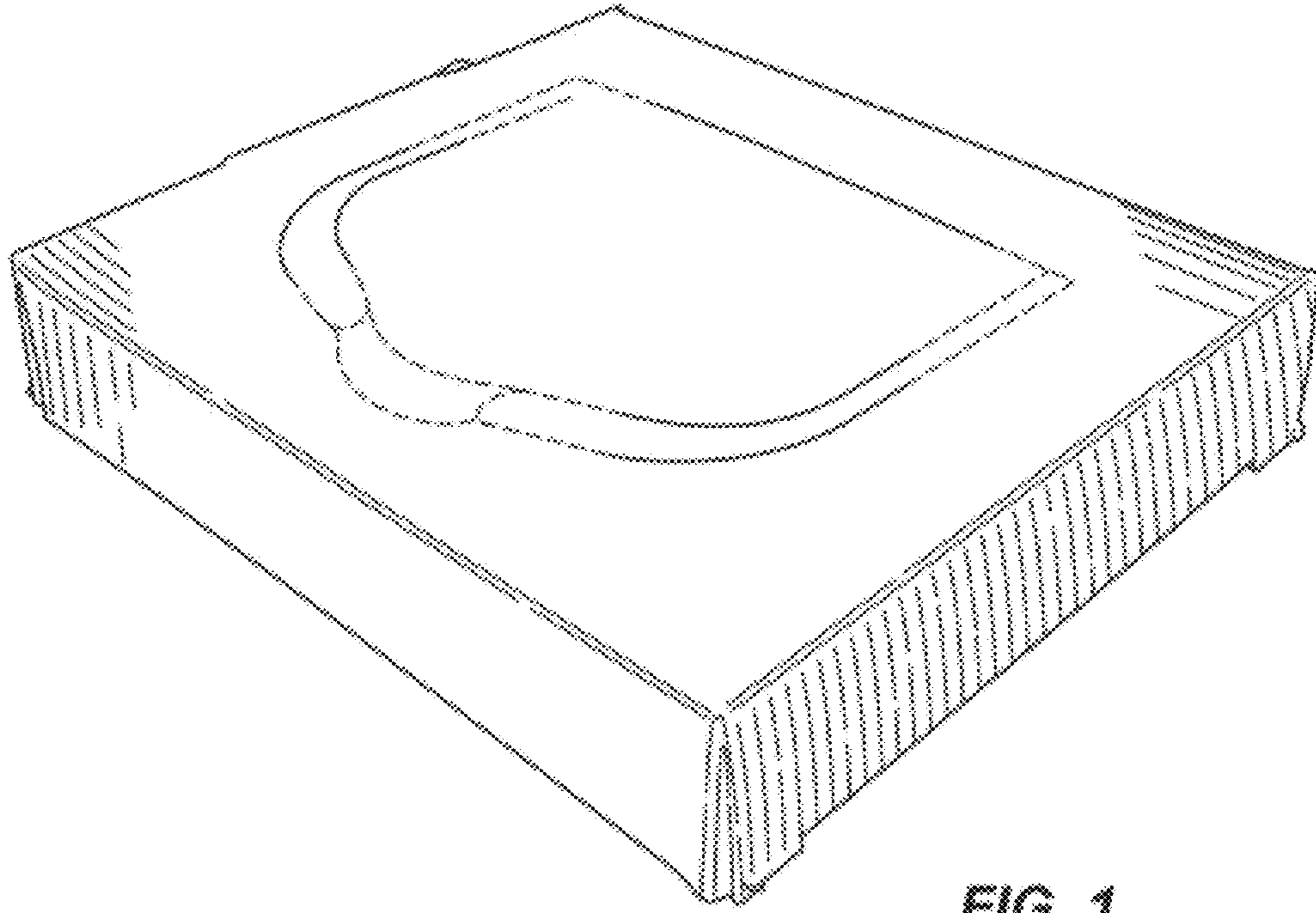


FIG. 1

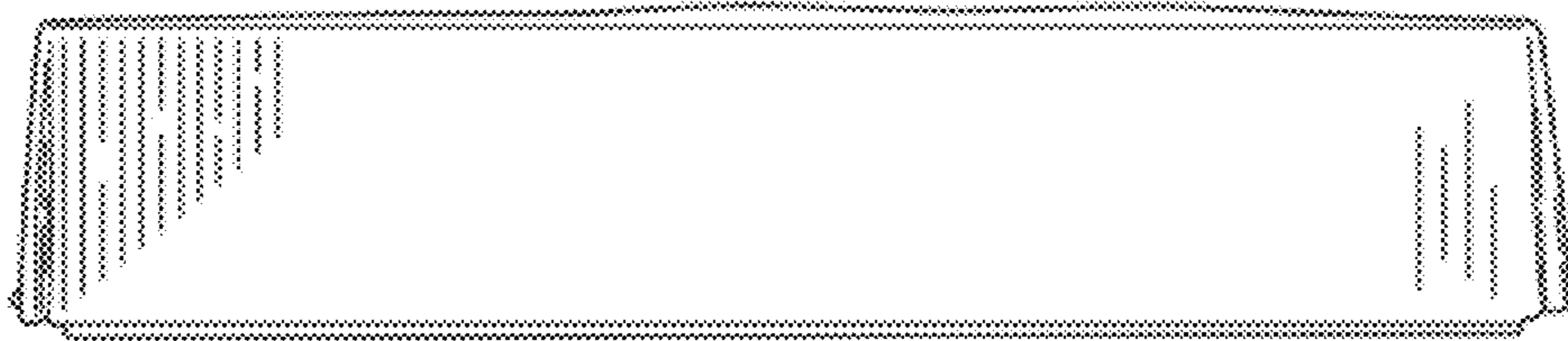


FIG. 2

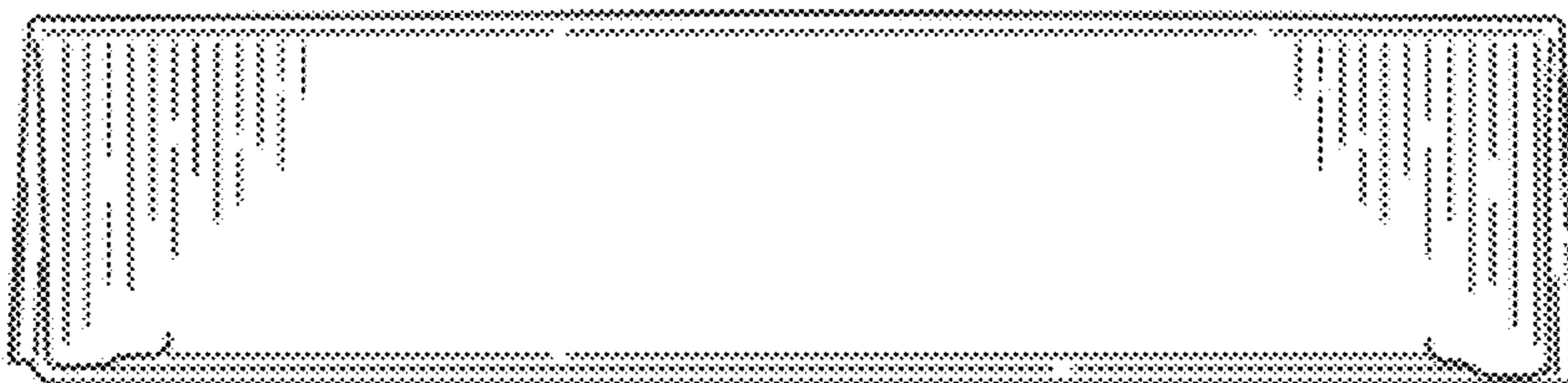


FIG. 3

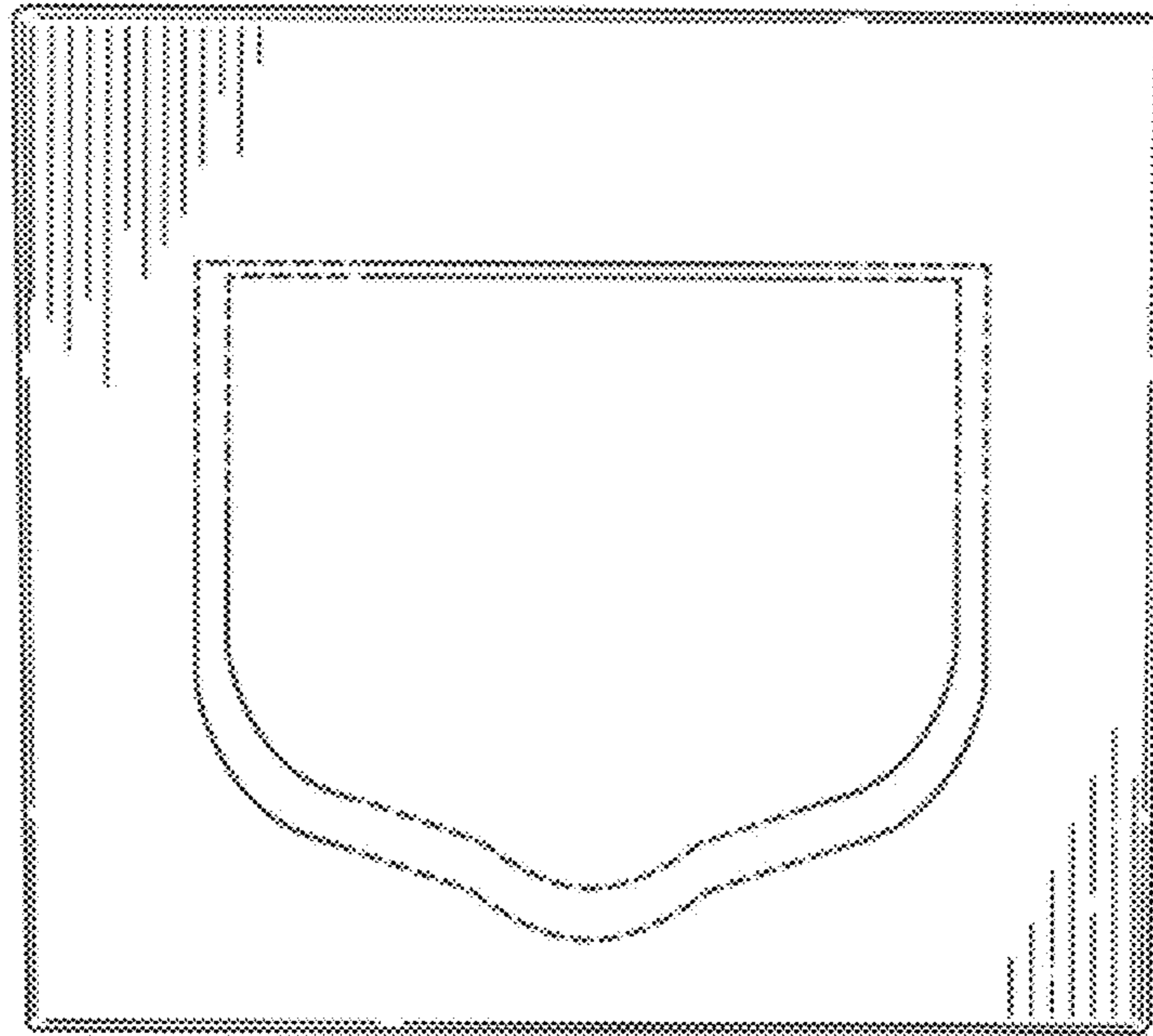


FIG. 4

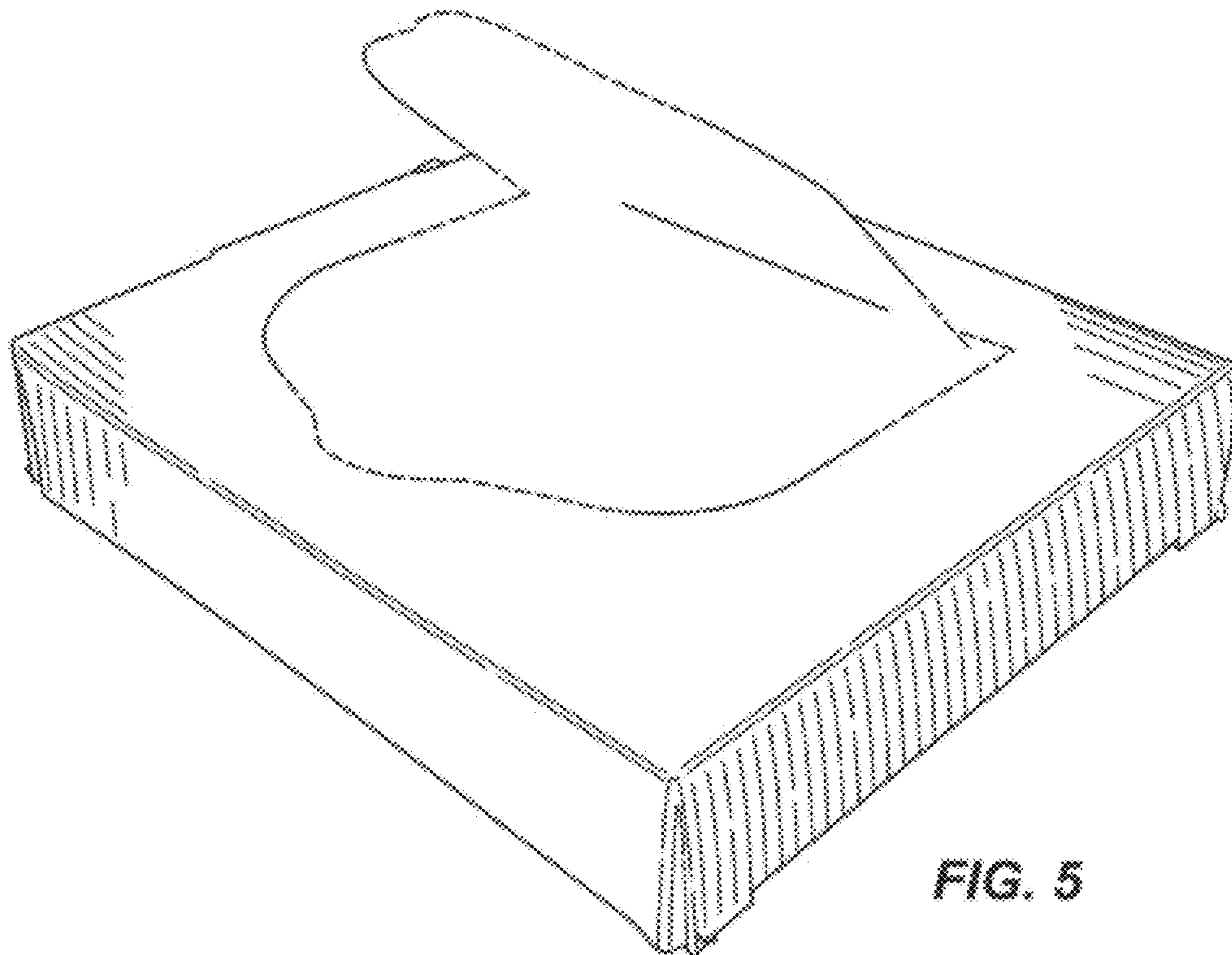


FIG. 5

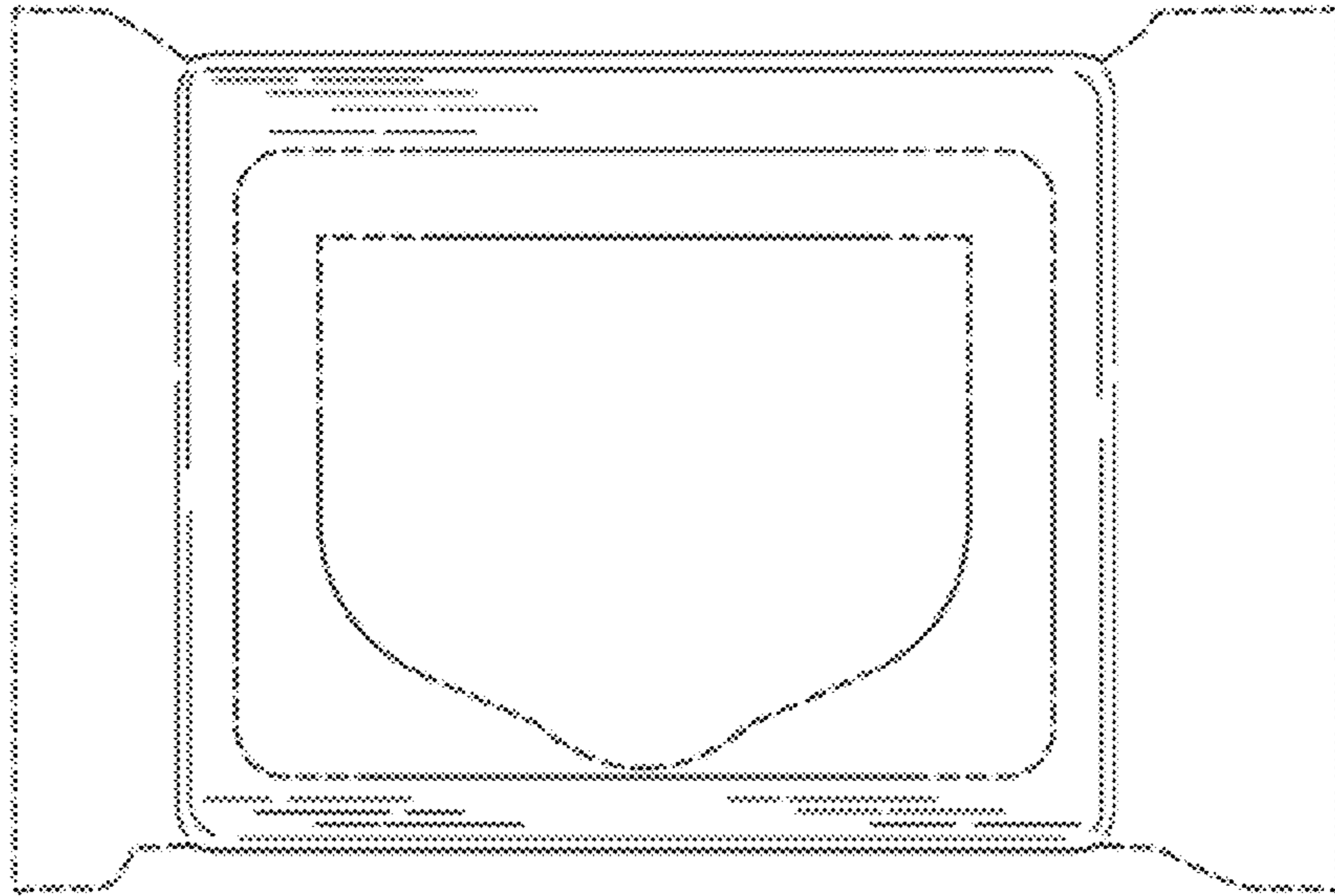


FIG. 6

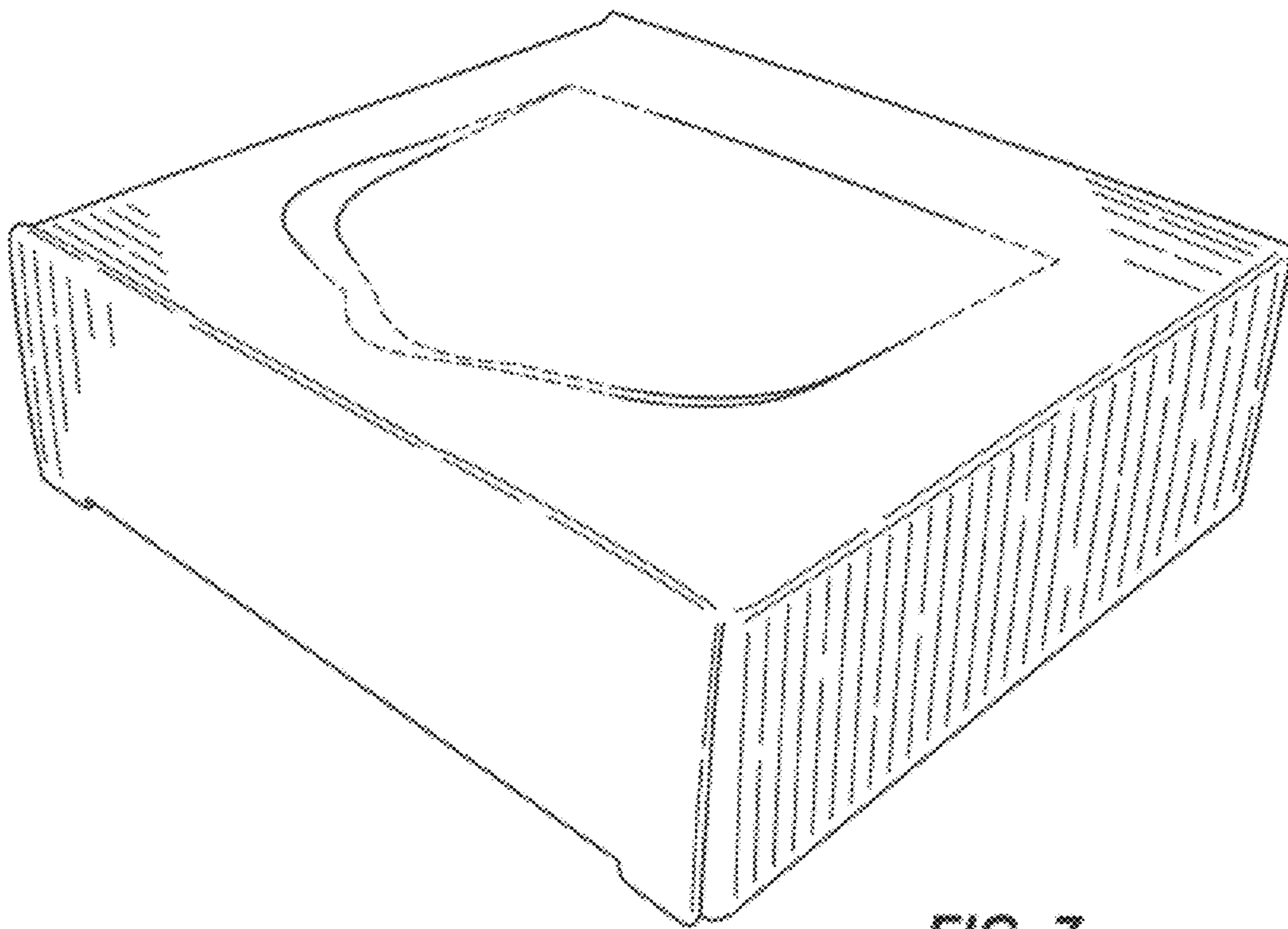


FIG. 7

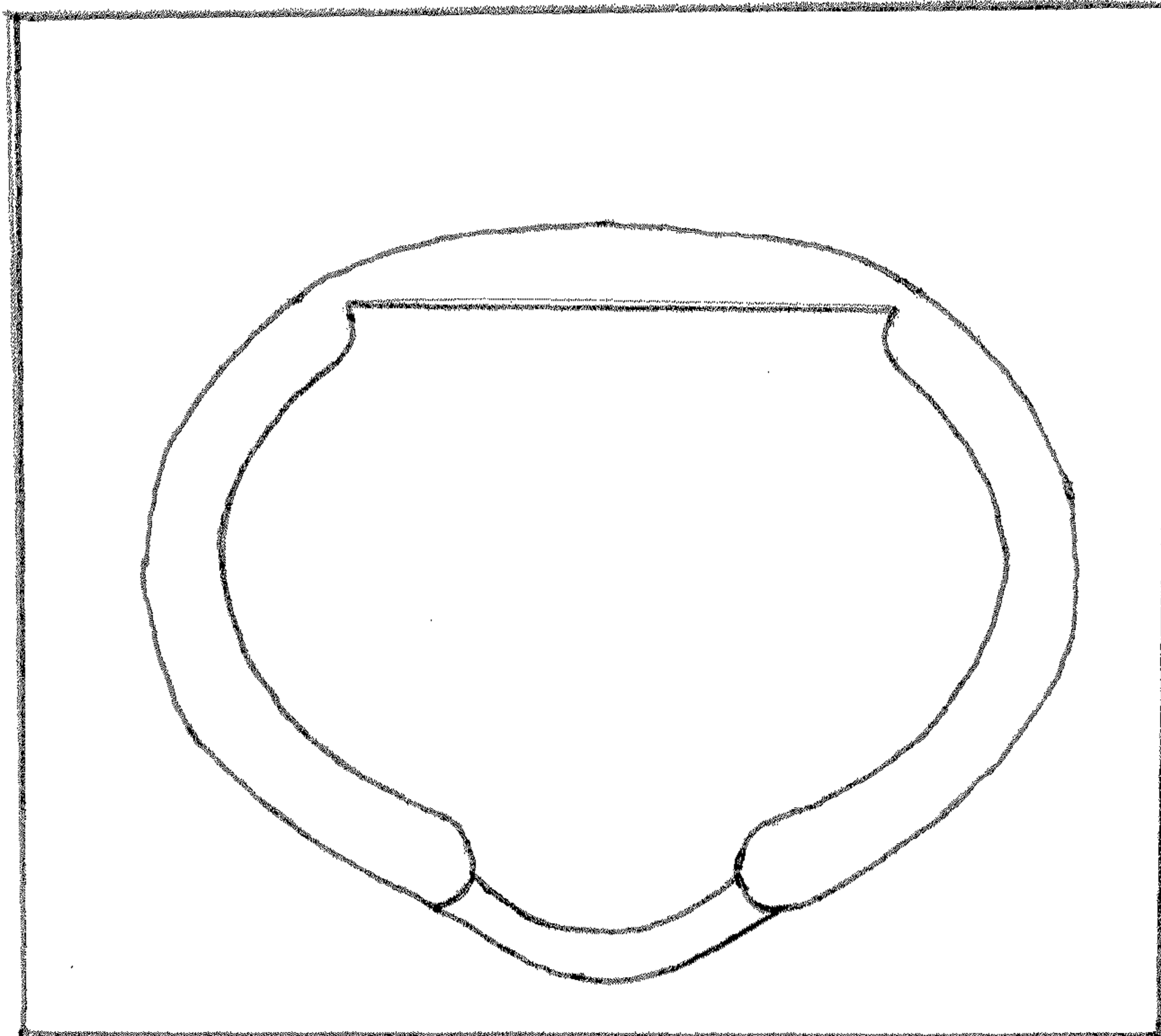


FIG. 8

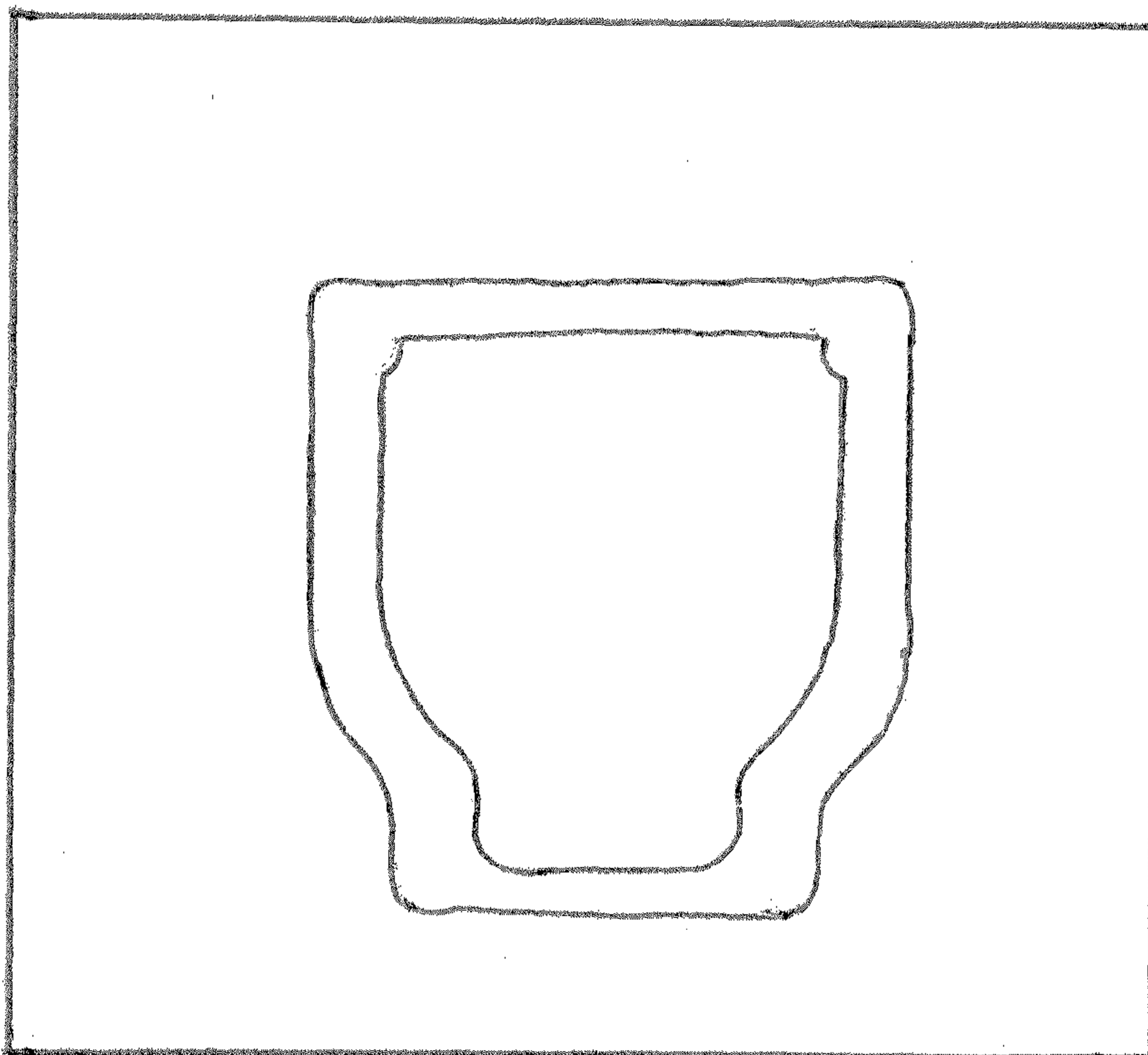


FIG. 9