

US00D667732S

(12) **United States Design Patent**
Glaser et al.

(10) **Patent No.:** **US D667,732 S**
(45) **Date of Patent:** **** Sep. 25, 2012**

(54) **BEVERAGE CONTAINER**

(75) Inventors: **Paul Glaser**, Floyds Knobs, IN (US);
Gail Grosch, Warren, PA (US)

(73) Assignee: **KFC Corporation**, Louisville, KY (US)

(**) Term: **14 Years**

(21) Appl. No.: **29/417,916**

(22) Filed: **Apr. 10, 2012**

(51) **LOC (9) Cl.** **09-05**

(52) **U.S. Cl.** **D9/709**

(58) **Field of Classification Search** D9/702-714,
D9/443, 447, 499, 516-517, 523-524, 526-528,
D9/530, 719, 572; 222/92, 210, 212, 215;
D23/211.1, 212; 220/200, 260, 288, 768,
220/901; 206/815; 215/200, 217-218, 382-385,
215/396, 371; D7/312, 321; 383/61.1, 80-81,
383/104, 901; 428/35.2

See application file for complete search history.

(56) **References Cited**

U.S. PATENT DOCUMENTS

D194,806 S *	3/1963	Kracht, Jr.	D9/520
D252,186 S *	6/1979	Moller	D9/527
D282,440 S *	2/1986	Gordon, Jr.	D9/527
D465,726 S *	11/2002	Tet	D9/708
D510,871 S *	10/2005	Nielson	D9/527
D538,166 S *	3/2007	Bertin et al.	D9/527
D597,856 S *	8/2009	Sherrill et al.	D9/708
D639,185 S *	6/2011	Hung	D9/709
D645,762 S *	9/2011	Hong et al.	D9/710
D654,372 S *	2/2012	Hung	D9/710

* cited by examiner

Primary Examiner — Richard E Chilcot

Assistant Examiner — Abraham Bahta

(74) *Attorney, Agent, or Firm* — Stites & Harbison, PLLC;
David W. Nagle, Jr.

(57) **CLAIM**

The ornamental design for a beverage container, as shown and described.

DESCRIPTION

FIG. 1 is a perspective view of a beverage container incorporating the design of the present invention, where the beverage container is filled with a beverage;

FIG. 2 is a front view of the beverage container of FIG. 1;

FIG. 3 is a rear view of the beverage container of FIG. 1;

FIG. 4 is a top view of the beverage container of FIG. 1;

FIG. 5 is a bottom view of the beverage container of FIG. 1;

FIG. 6 is a right side view (nearest the cap) of the beverage container of FIG. 1;

FIG. 7 is a left side view (away from the cap) of the beverage container of FIG. 1;

FIG. 8 is a perspective view of a beverage container incorporating the design of the present invention, where the beverage container is in a substantially flat configuration without any beverage contained therein;

FIG. 9 is a front view of the beverage container of FIG. 8;

FIG. 10 is a rear view of the beverage container of FIG. 8;

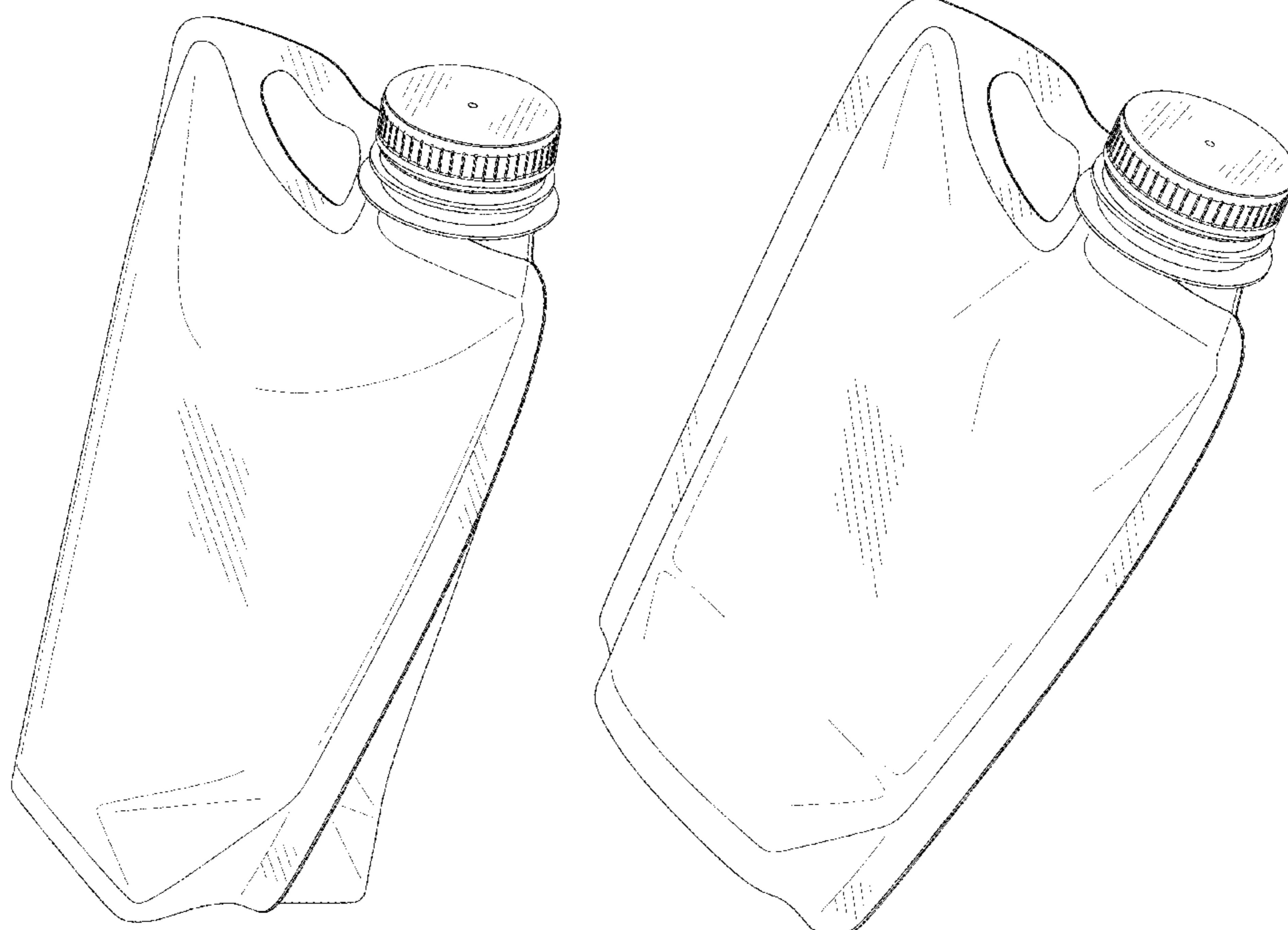
FIG. 11 is a top view of the beverage container of FIG. 8;

FIG. 12 is a bottom view of the beverage container of FIG. 8;

FIG. 13 is a right side view (nearest the cap) of the beverage container of FIG. 8; and,

FIG. 14 is a left side view (away from the cap) of the beverage container of FIG. 8.

1 Claim, 10 Drawing Sheets



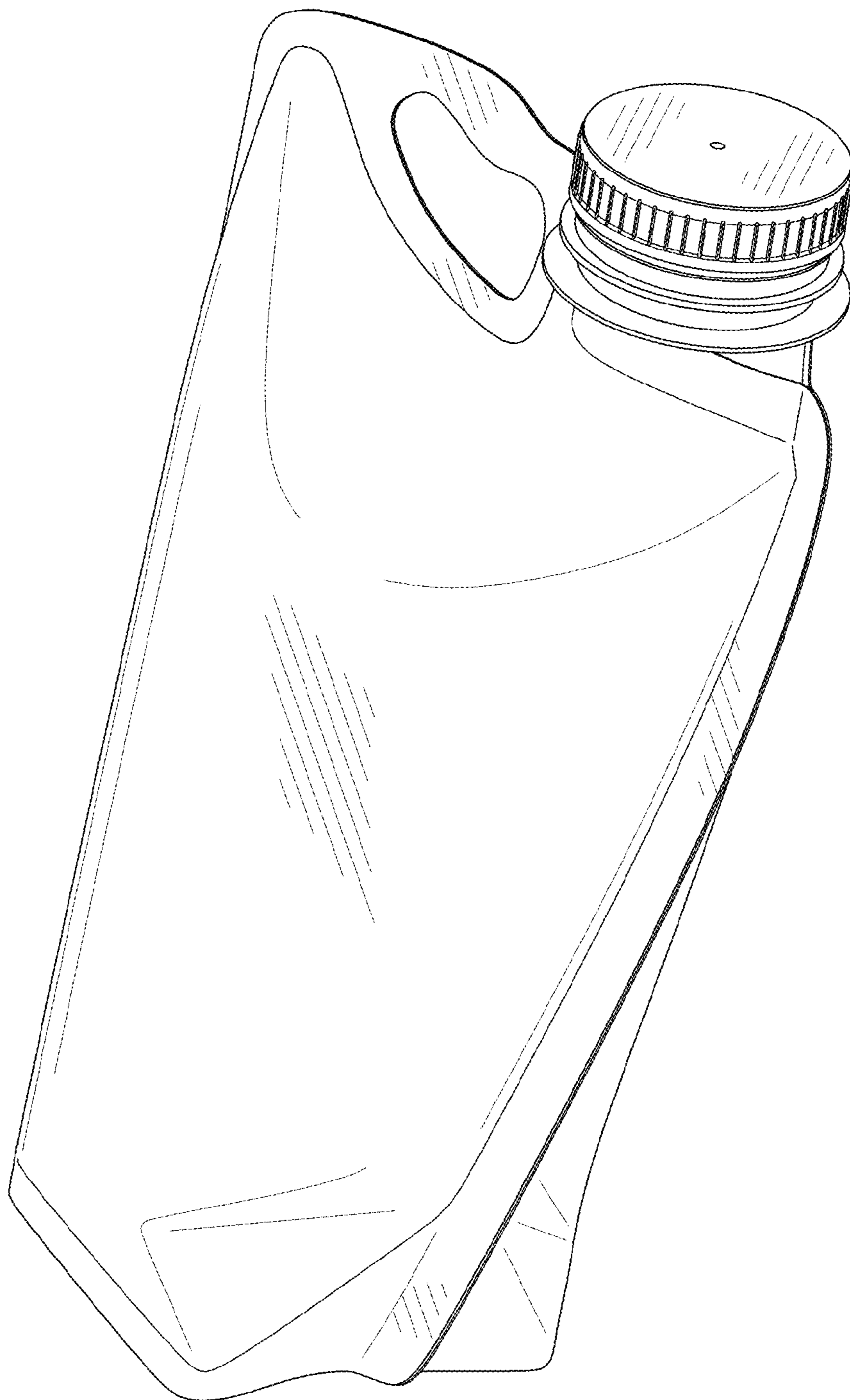


FIG. 1

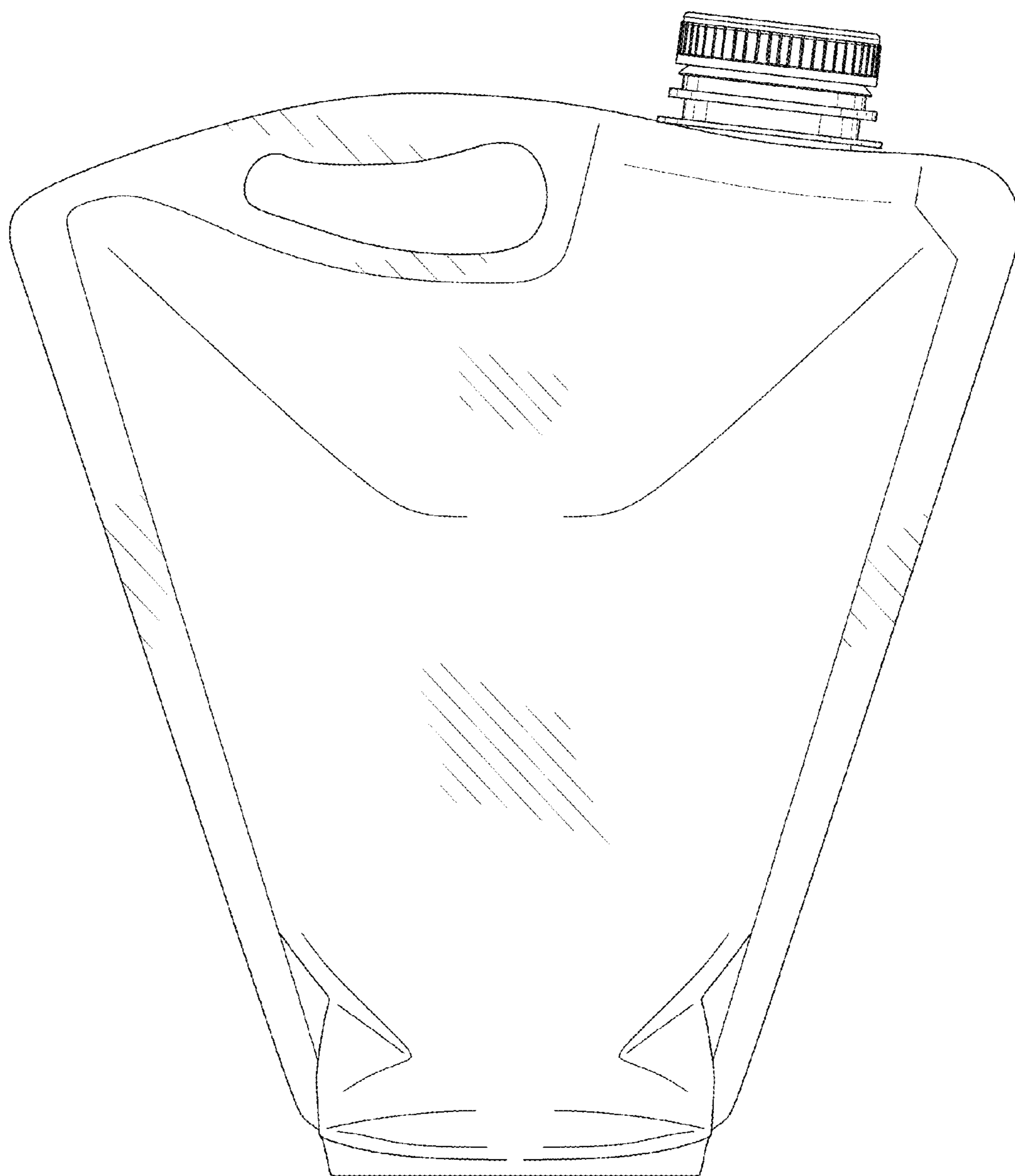


FIG. 2

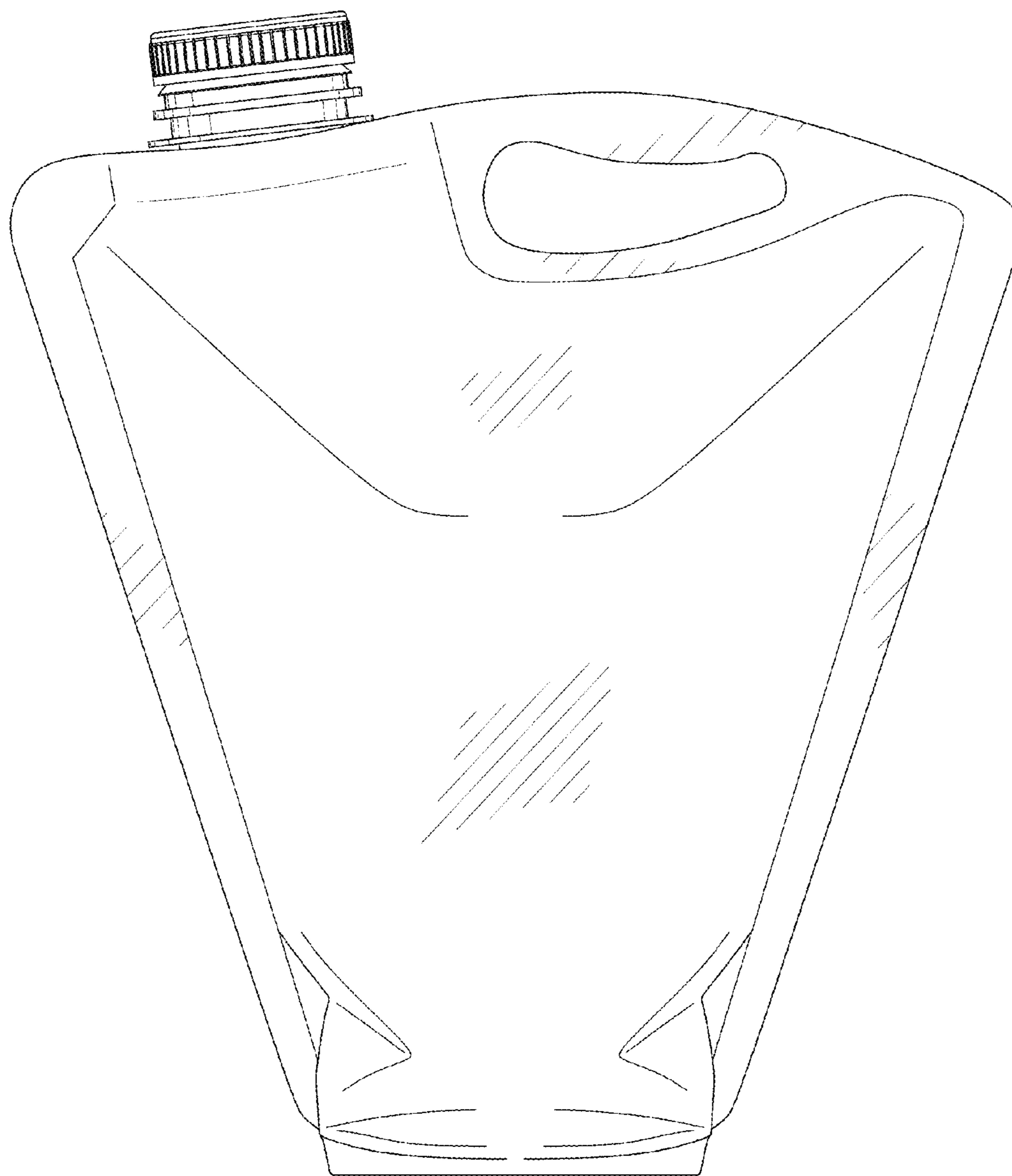


FIG. 3

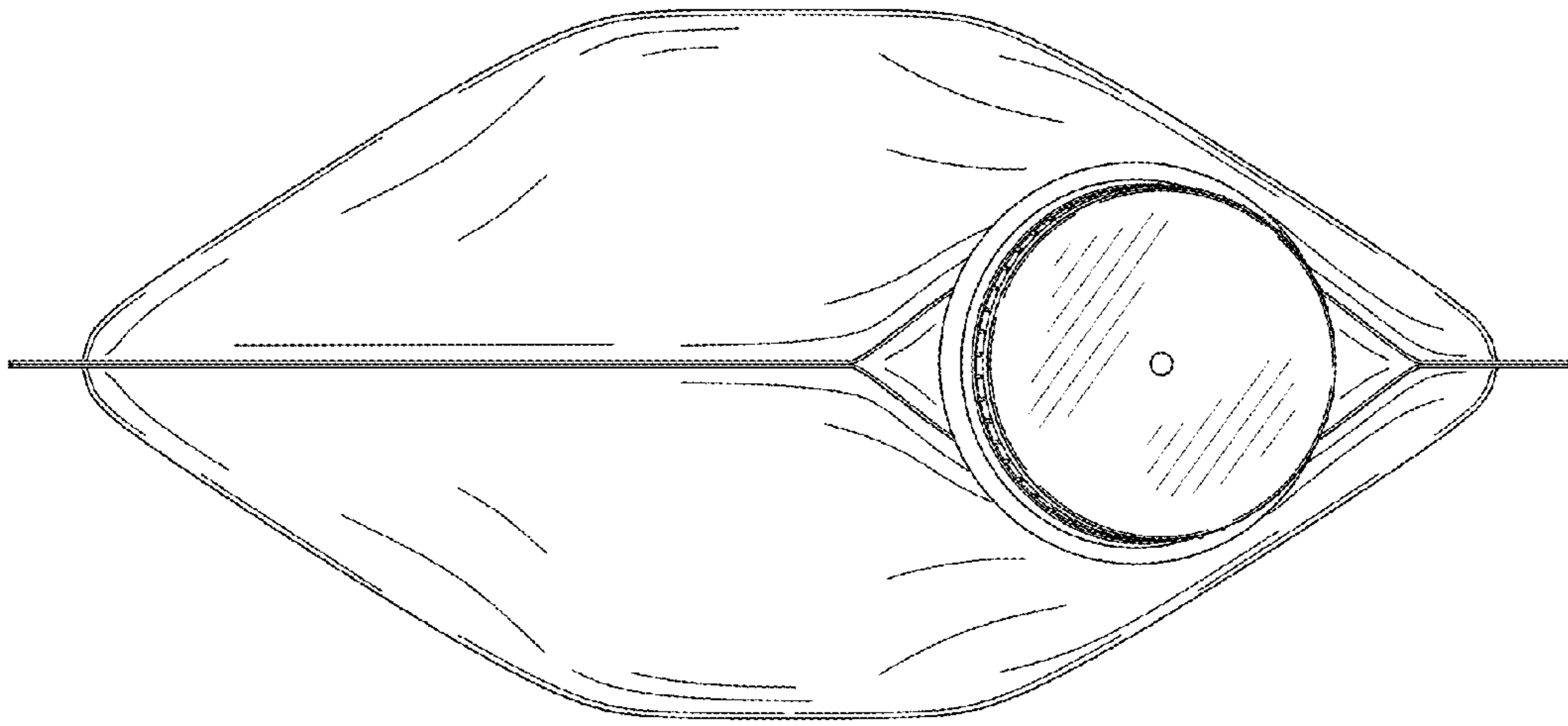


FIG. 4

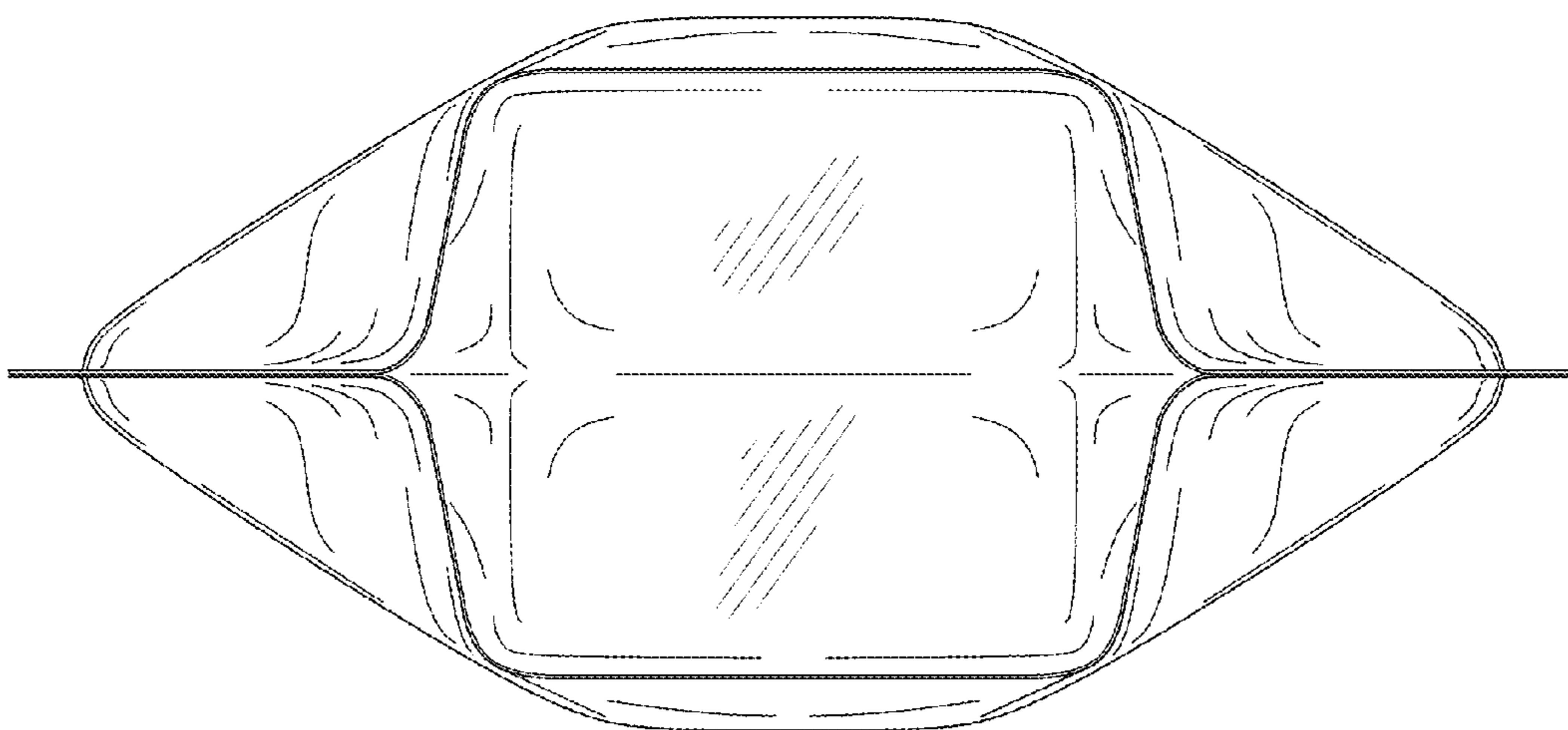


FIG. 5

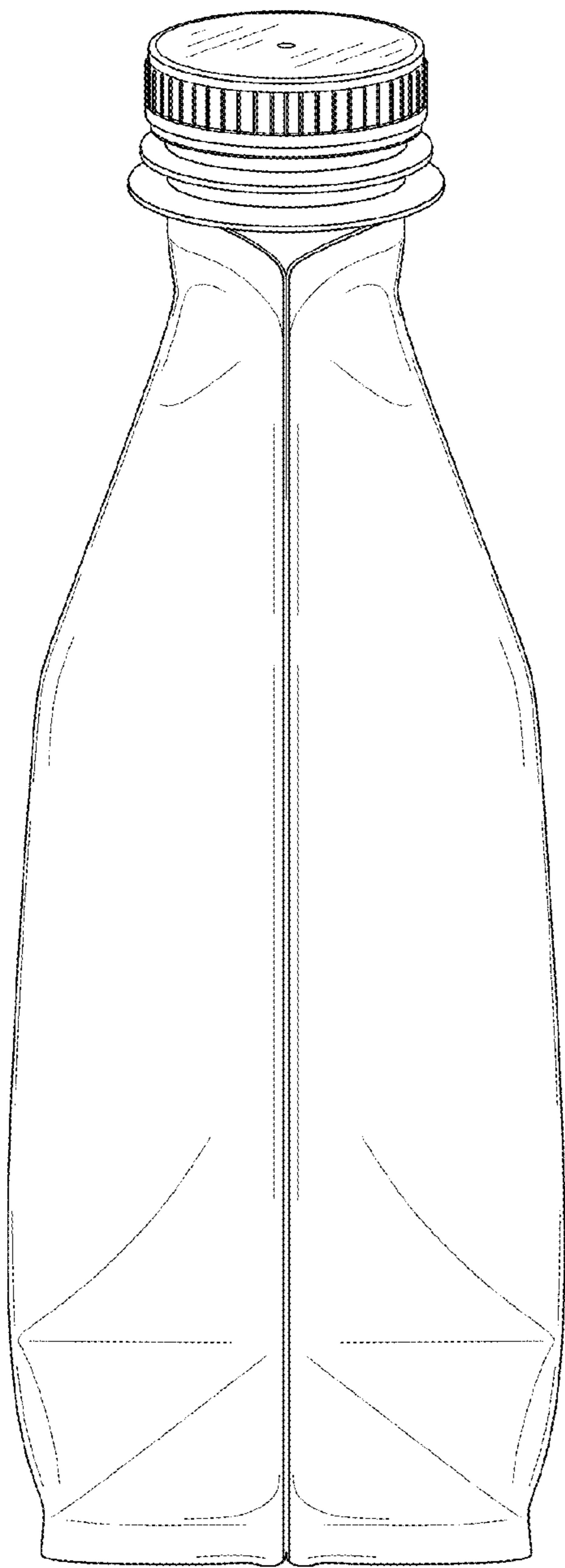


FIG. 6

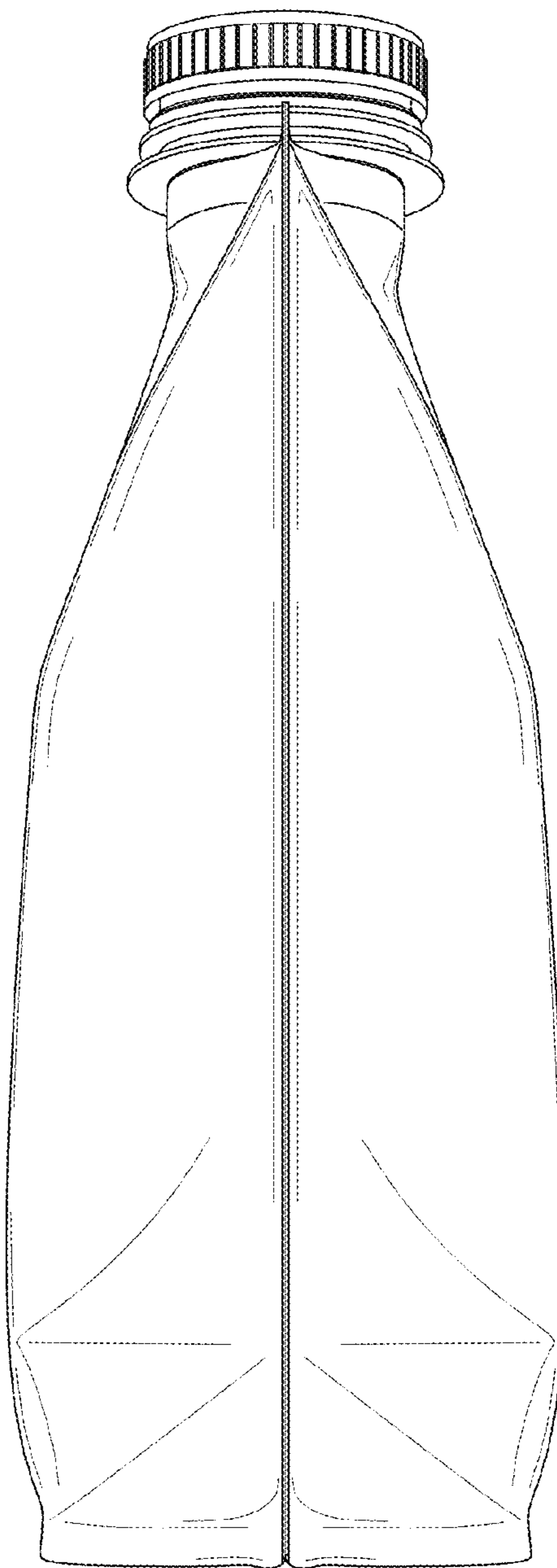


FIG. 7



FIG. 8

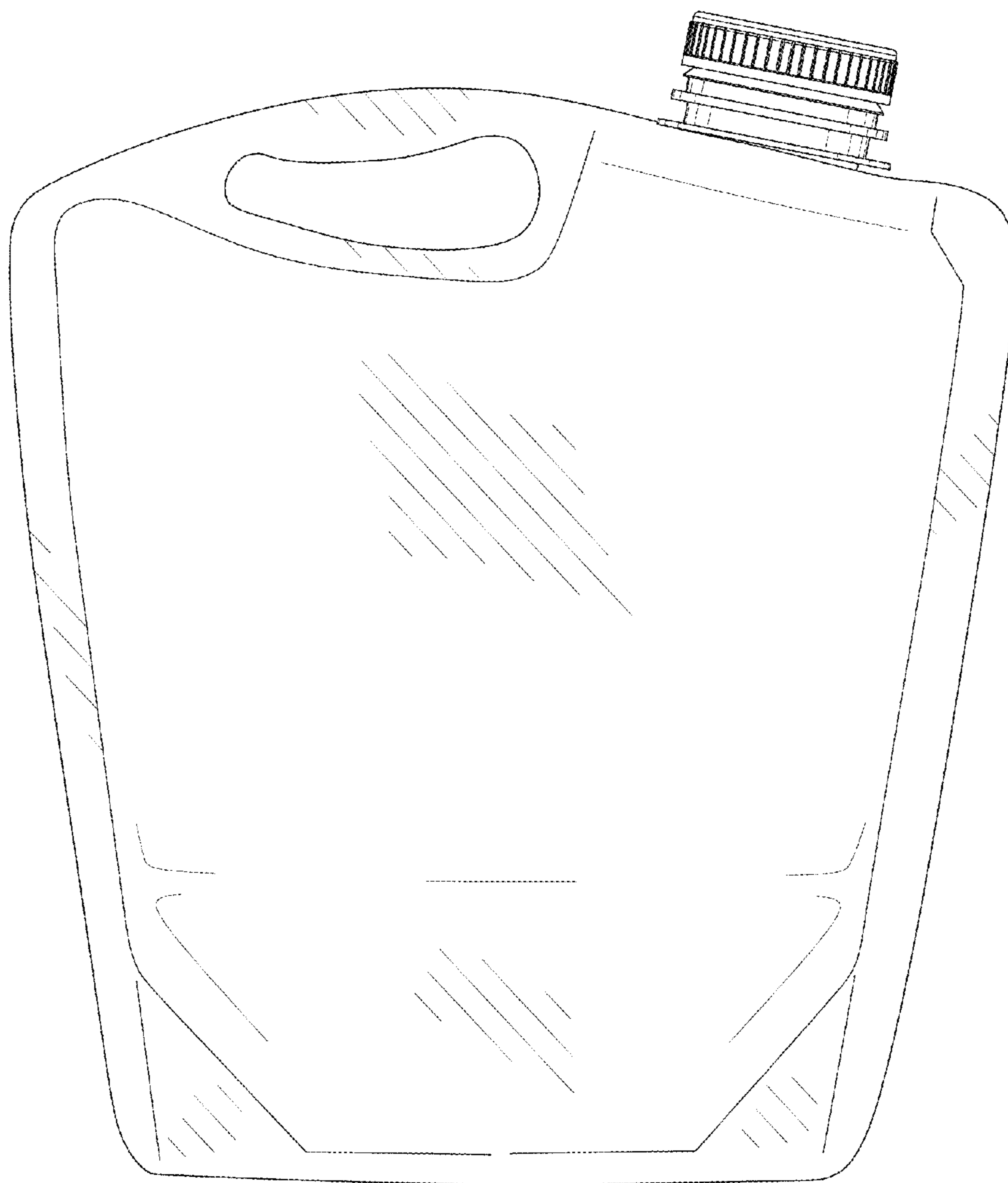


FIG. 9

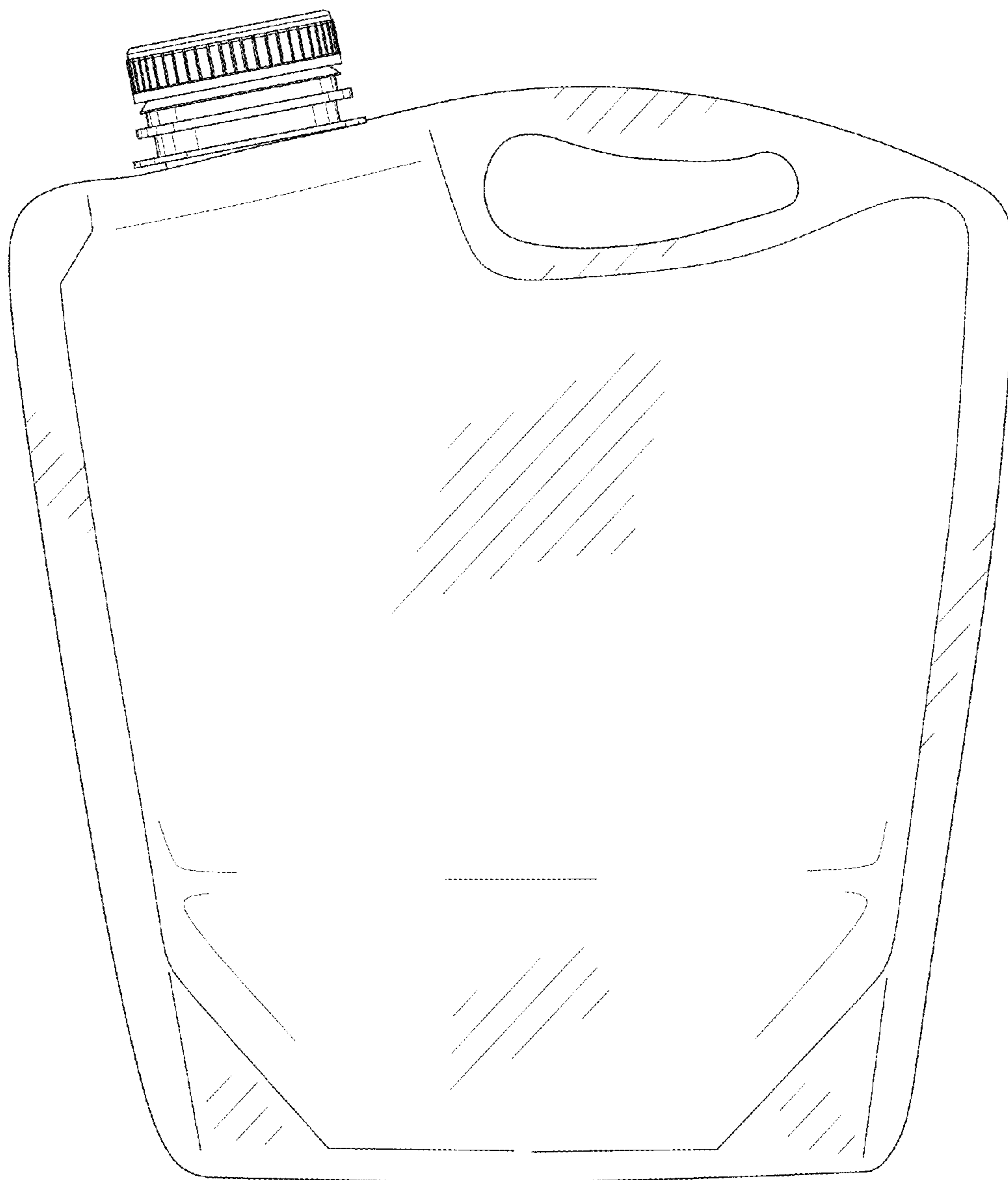


FIG. 10

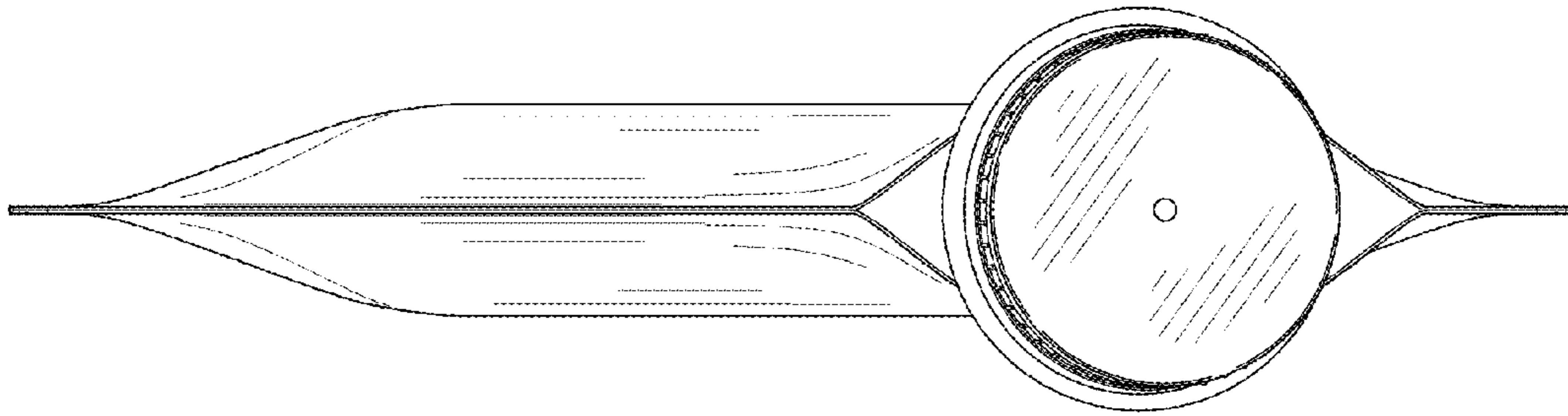


FIG. 11

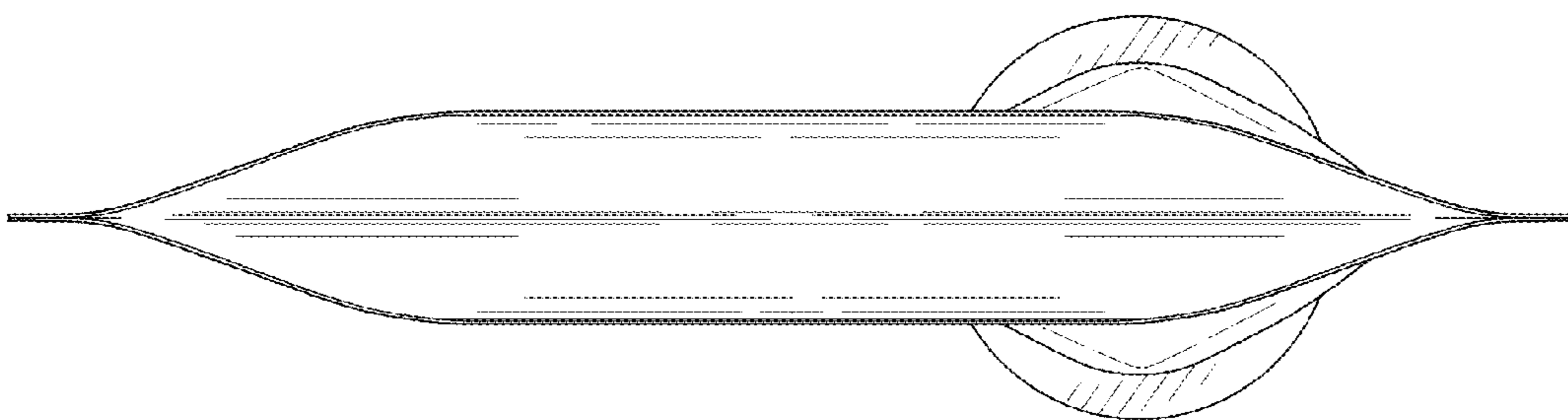


FIG. 12

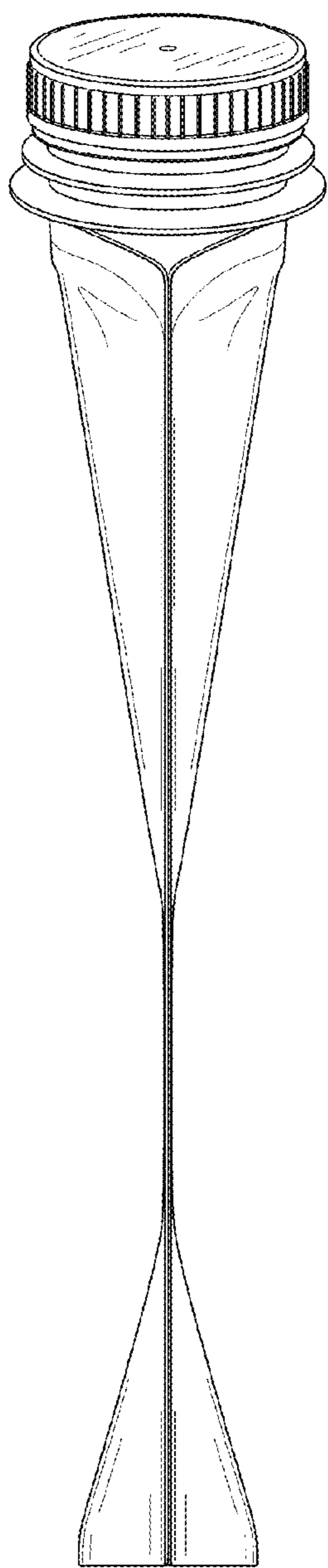


FIG. 13

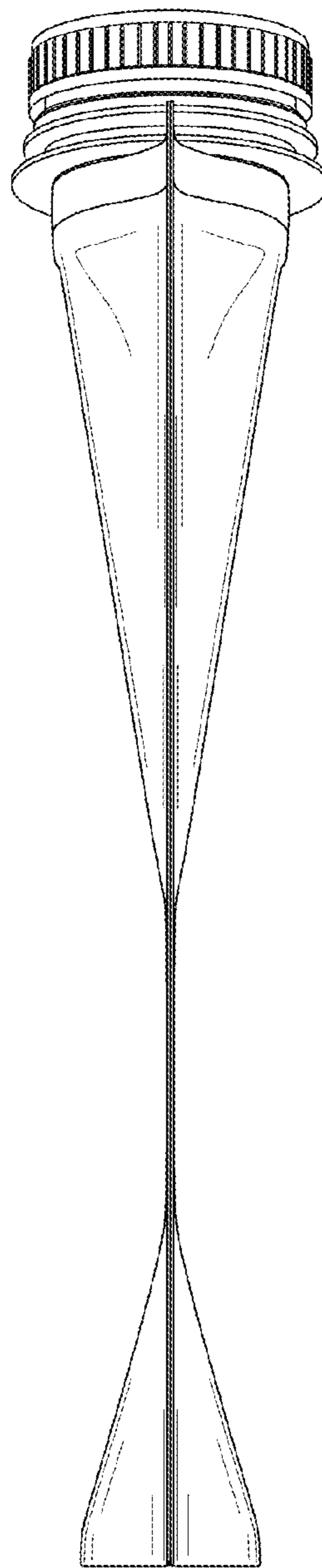


FIG. 14