



US00D667726S

(12) **United States Design Patent**  
**Bloc**

(10) **Patent No.:** **US D667,726 S**

(45) **Date of Patent:** **\*\* Sep. 25, 2012**

(54) **HEAD BUTTON**

(75) **Inventor:** **Richard René Bloc,**  
Derchigny-Graincourt (FR)

(73) **Assignee:** **Rexam Dispensing Systems S.A.S.** (FR)

(\*\*) **Term:** **14 Years**

(21) **Appl. No.:** **29/400,812**

(22) **Filed:** **Sep. 1, 2011**

(30) **Foreign Application Priority Data**

Mar. 1, 2001 (EM) ..... 001828807-0002

(51) **LOC (9) Cl.** ..... **09-07**

(52) **U.S. Cl.** ..... **D9/448**

(58) **Field of Classification Search** ..... D9/688,  
D9/686, 682, 454, 448, 445, 44; D6/544,  
D6/542; D28/76; D23/255, 252, 238; 222/630,  
222/631, 566, 402.22, 402.13, 402.1, 401,  
222/330, 331, 252, 153.07, 135

See application file for complete search history.

(56) **References Cited**

**U.S. PATENT DOCUMENTS**

D339,527 S *	9/1993	Tobler	.....	D9/448
D413,793 S *	9/1999	Favre	.....	D9/692
D414,697 S *	10/1999	Sayers	.....	D9/448
D419,877 S *	2/2000	Sayers	.....	D9/448

D441,654 S *	5/2001	Sayers	.....	D9/448
D443,202 S *	6/2001	Boussiquet et al.	.....	D9/691
D523,748 S *	6/2006	Witkowski et al.	.....	D9/448
D539,143 S *	3/2007	Arminak	.....	D9/448
D541,654 S *	5/2007	Pietrowski	.....	D9/448
D551,077 S *	9/2007	Bloc	.....	D9/448
D563,796 S *	3/2008	Rossignol	.....	D9/690
D574,707 S *	8/2008	Pietrowski et al.	.....	D9/448
D588,005 S *	3/2009	Boes et al.	.....	D9/448

\* cited by examiner

*Primary Examiner* — Susan Bennett Hattan

(74) *Attorney, Agent, or Firm* — St. Onge Steward Johnston & Reens LLC

(57) **CLAIM**

The ornamental design for a head button, as shown and described.

**DESCRIPTION**

FIG. 1 is a front isometric view of a head button in accordance with the new design;

FIG. 2 is a front elevation view thereof;

FIG. 3 is a left side elevation view thereof, a right side elevation view being mirror image thereof;

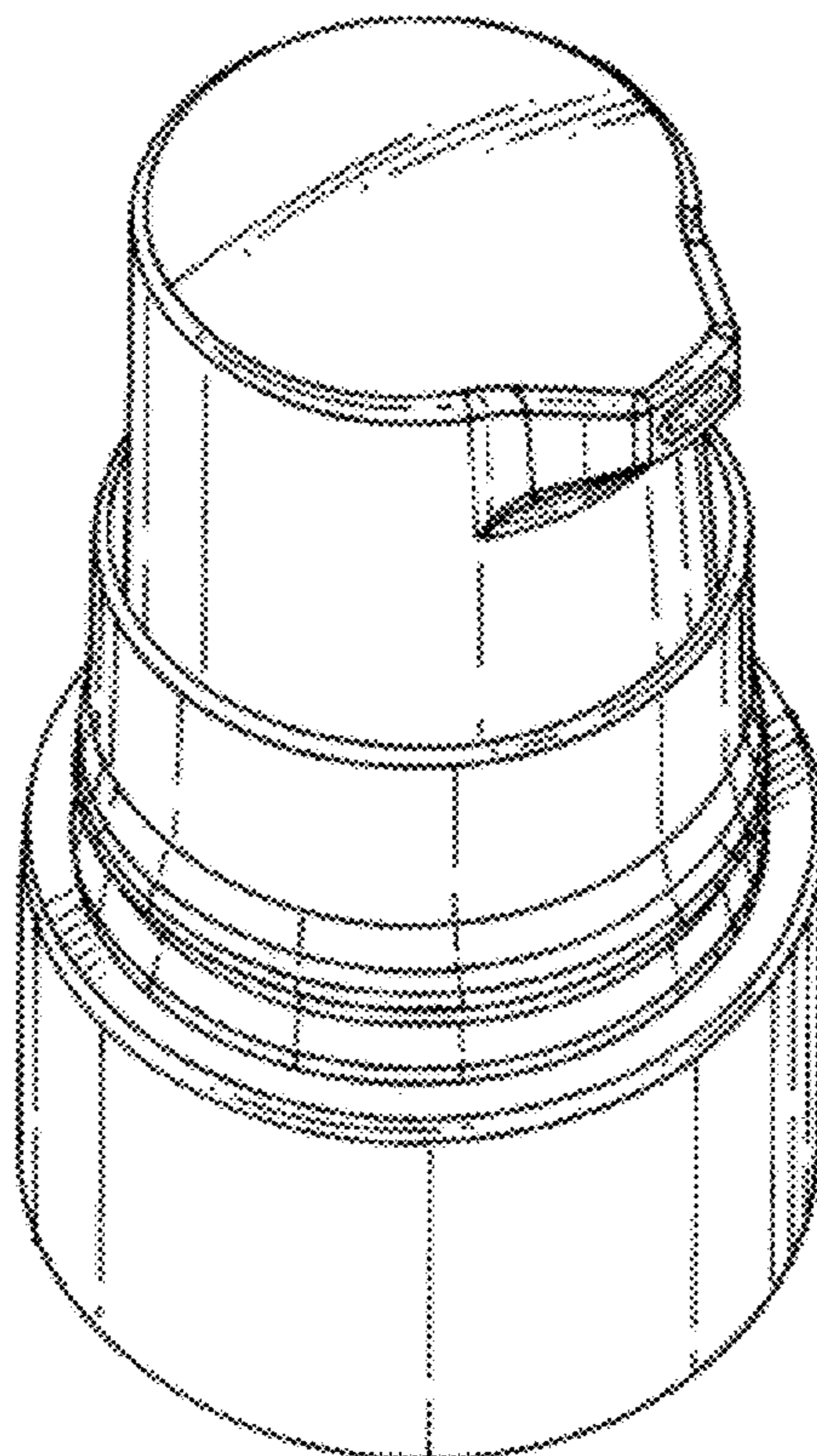
FIG. 4 is a rear elevation view thereof;

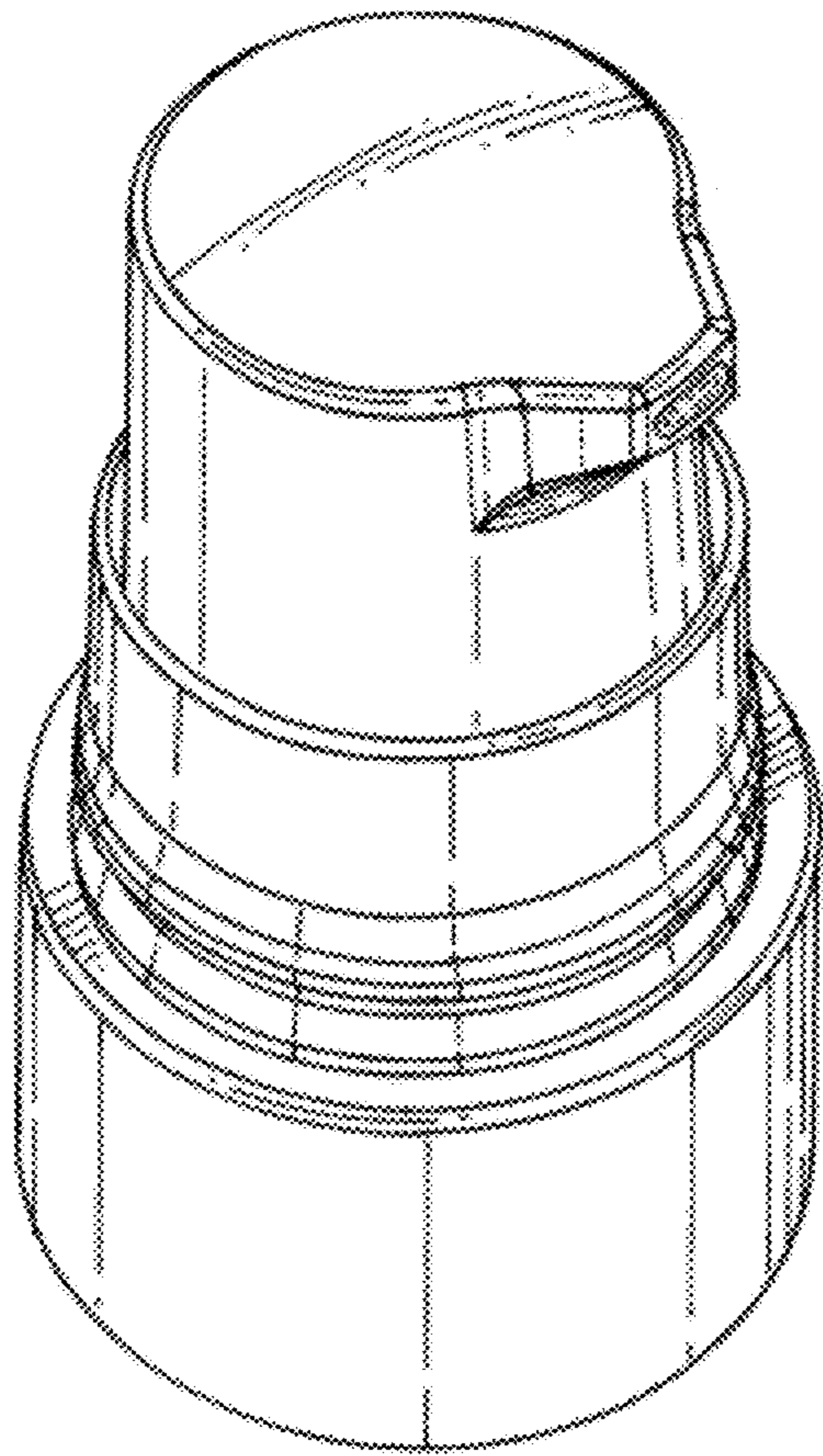
FIG. 5 is a top plan view thereof; and,

FIG. 6 is a bottom plan view thereof.

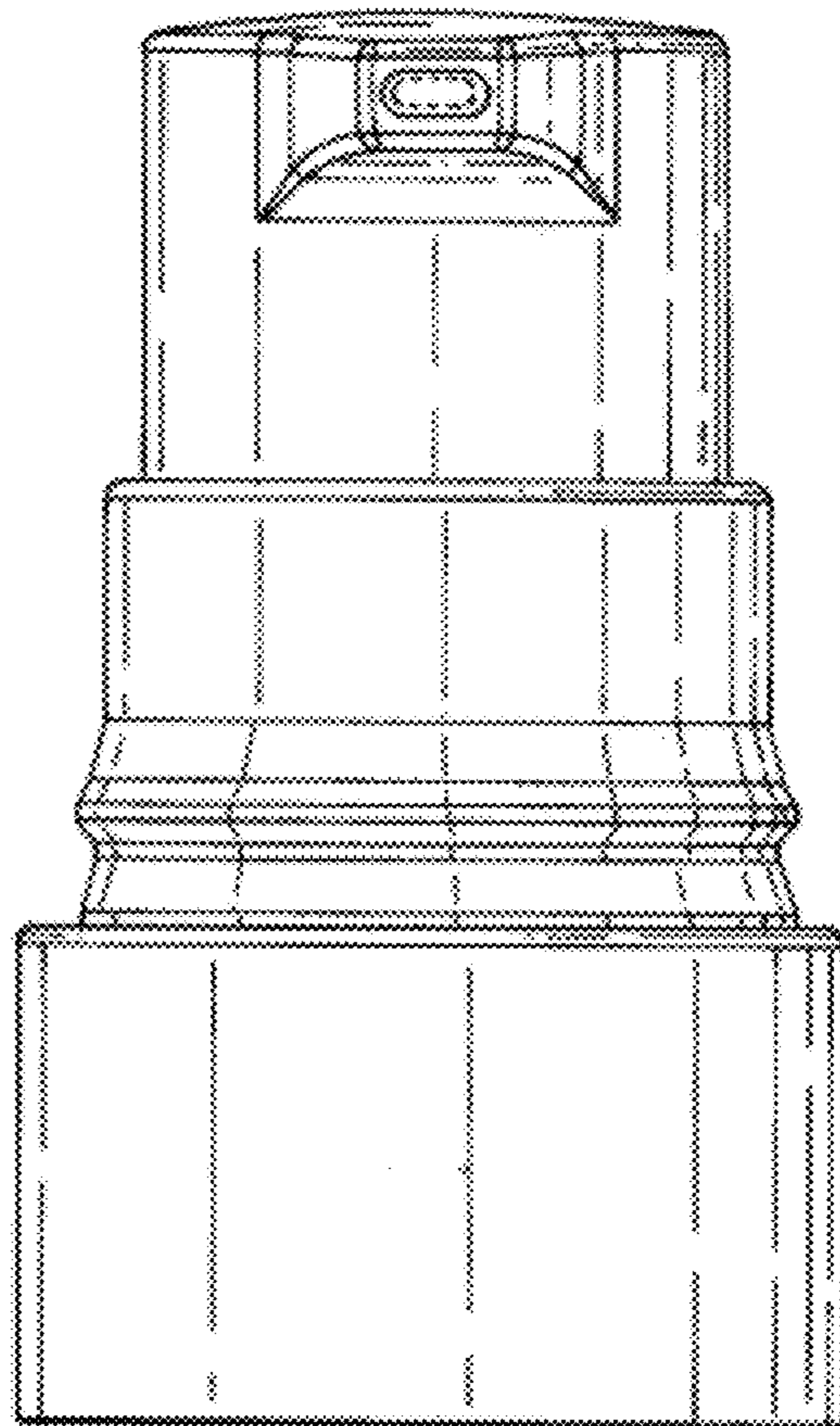
The broken lines shown in FIGS. 1, 2 and 6 represent the bounds of the claimed design, with the lines themselves and the areas within them forming no part of the claimed design.

**1 Claim, 3 Drawing Sheets**

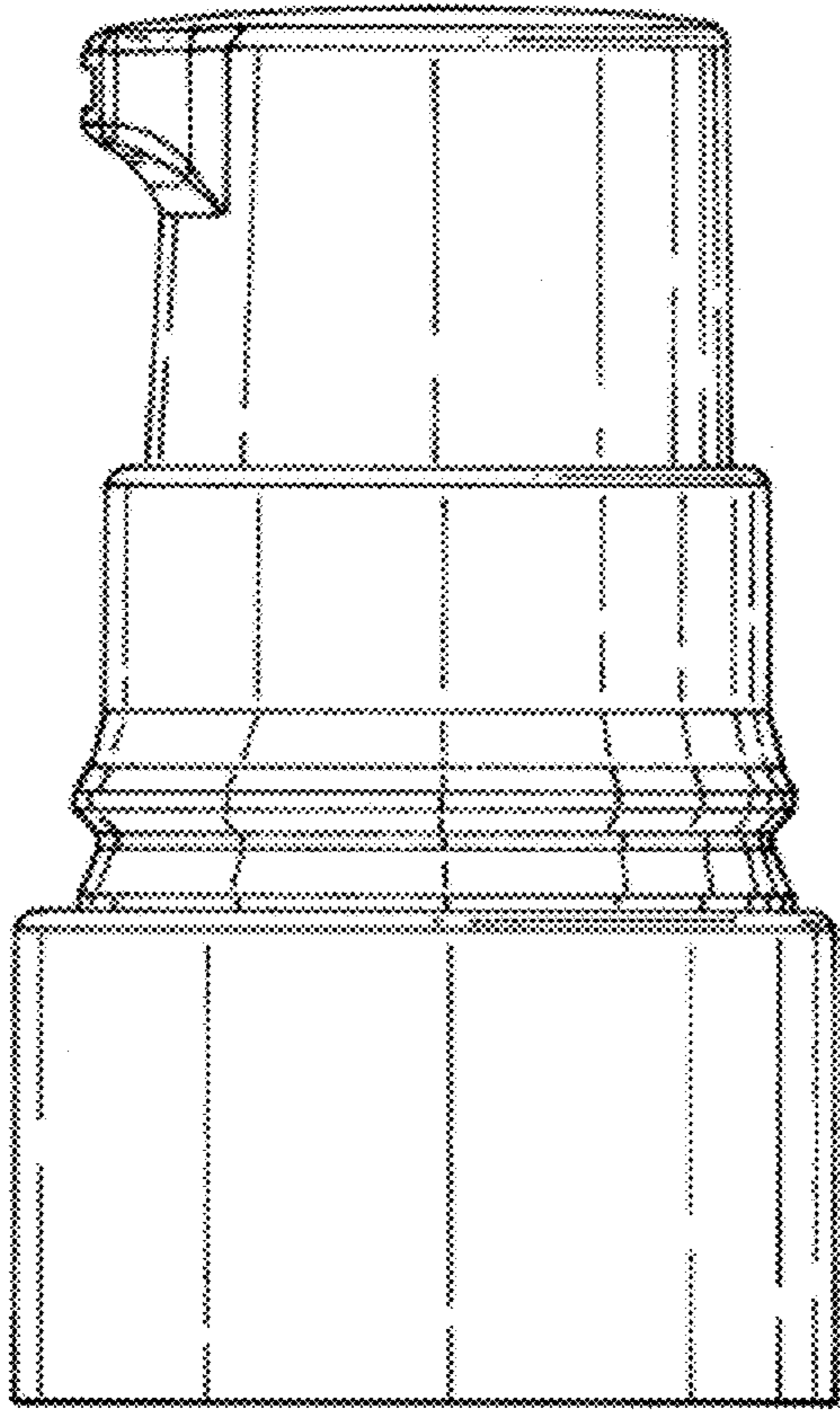




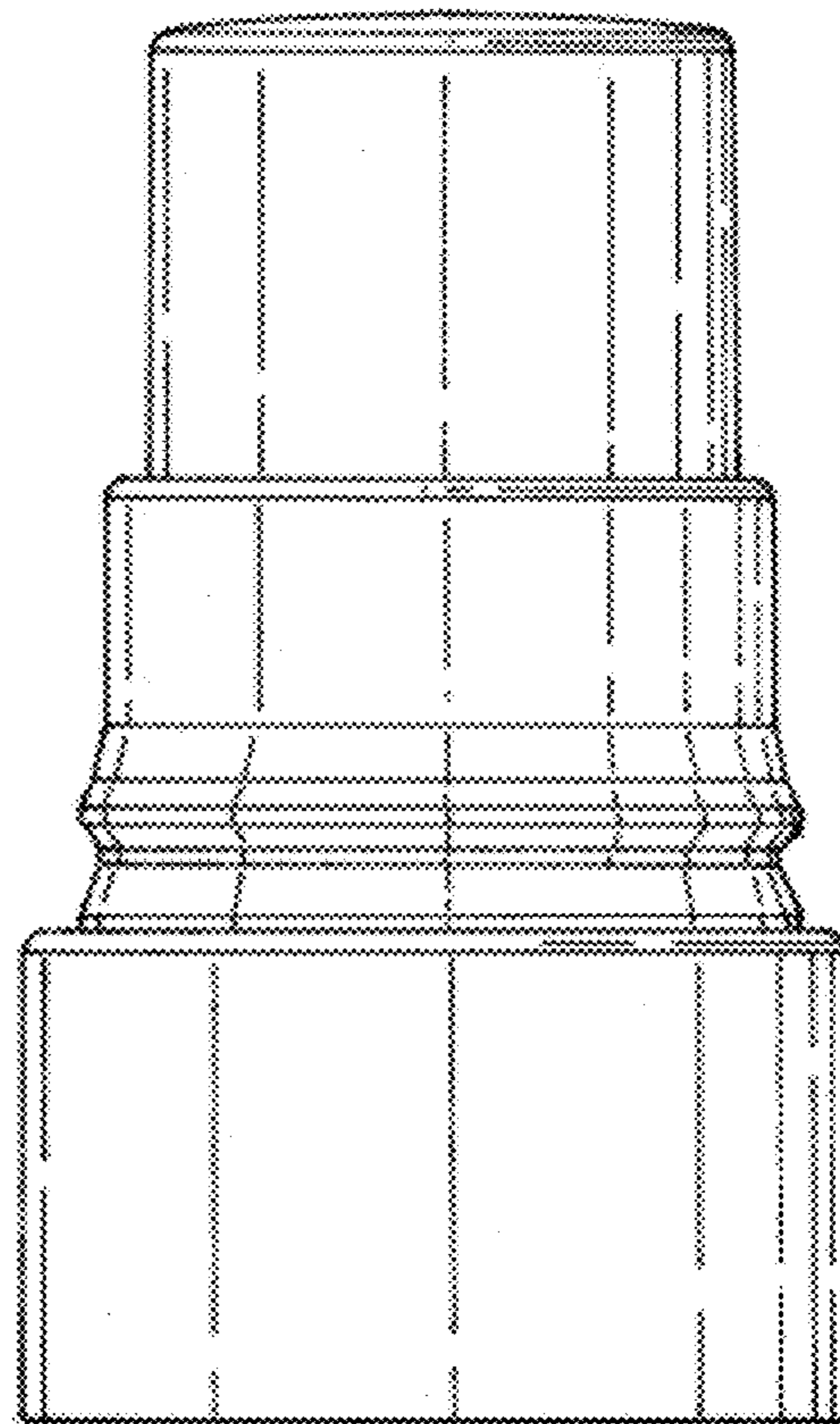
*FIG. 1*



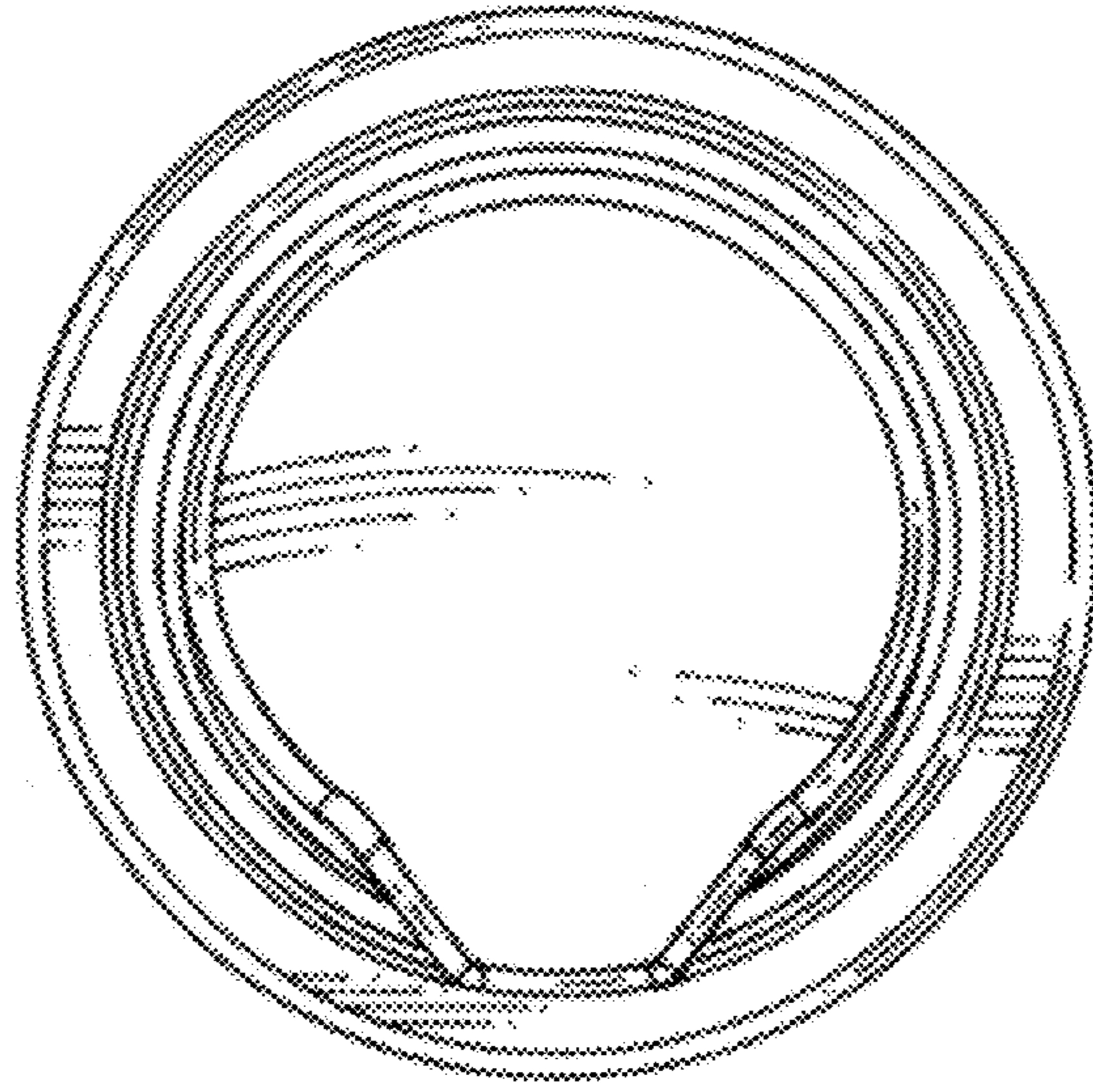
*FIG. 2*



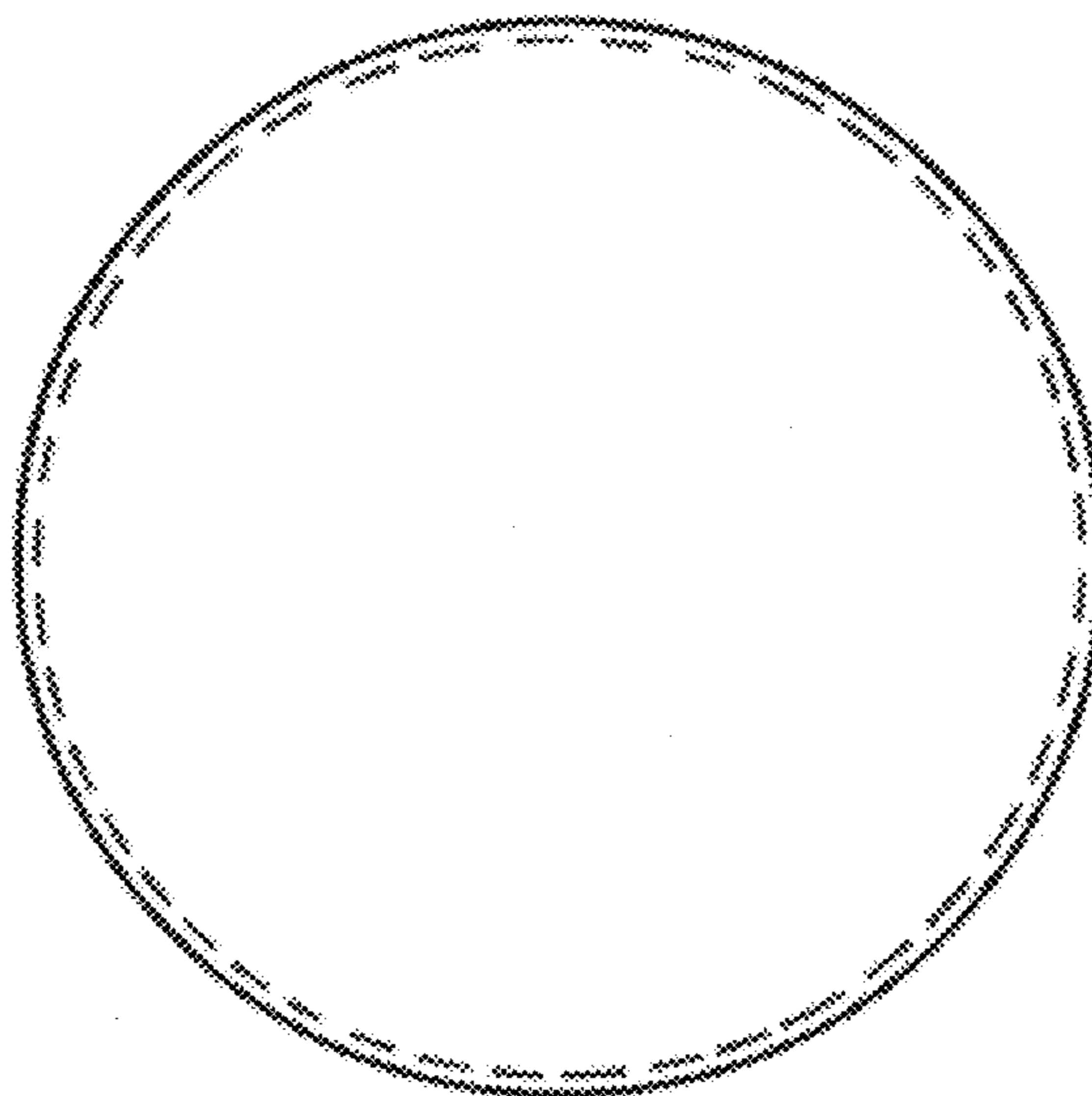
*FIG. 3*



*FIG. 4*



**FIG. 5**



**FIG. 6**