

US00D667724S

(12) **United States Design Patent**
Mangano

(10) **Patent No.:** **US D667,724 S**

(45) **Date of Patent:** **** Sep. 25, 2012**

(54) **HANGER CLIP**

(75) Inventor: **Joy Mangano**, St. James, NY (US)

(73) Assignee: **Ingenious Designs LLC**, Ronkonkoma, NY (US)

(**) Term: **14 Years**

(21) Appl. No.: **29/400,446**

(22) Filed: **Aug. 29, 2011**

(51) **LOC (9) Cl.** **08-08**

(52) **U.S. Cl.** **D8/395**

(58) **Field of Classification Search** D8/394-396,
D8/72, 367, 373; D19/56, 65, 86; 24/67.3;
D32/60-64; D28/40

See application file for complete search history.

(56) **References Cited**

U.S. PATENT DOCUMENTS

D316,333 S *	4/1991	Maki	D6/328
D440,409 S *	4/2001	Blanchard	D6/326
D467,400 S *	12/2002	Barre et al.	D32/61
D500,603 S *	1/2005	Lambert	D6/326
D512,906 S *	12/2005	Wood	D8/395
D518,367 S *	4/2006	Hay	D8/395
D525,117 S *	7/2006	Mariano et al.	D8/395

D549,417 S *	8/2007	Siegel et al.	D32/61
D552,461 S *	10/2007	Oas	D8/395
D555,916 S *	11/2007	Mangano	D6/328
D577,393 S *	9/2008	Nada et al.	D21/503
D578,781 S *	10/2008	Hansen	D6/328
D599,651 S *	9/2009	Riggsbee	D8/395
D611,334 S *	3/2010	Lambert	D8/395
D621,627 S *	8/2010	Mangano	D6/328
D649,866 S *	12/2011	Roehrig et al.	D8/395

* cited by examiner

Primary Examiner — John Windmuller

(74) *Attorney, Agent, or Firm* — Kenyon & Kenyon LLP

(57) **CLAIM**

The ornamental design for a hanger clip, as shown and described.

DESCRIPTION

FIG. 1 is a perspective view of a hanger clip showing my new design;

FIG. 2 is a front elevational view of the hanger clip of FIG. 1;

FIG. 3 is a back elevational view of the hanger clip of FIG. 1;

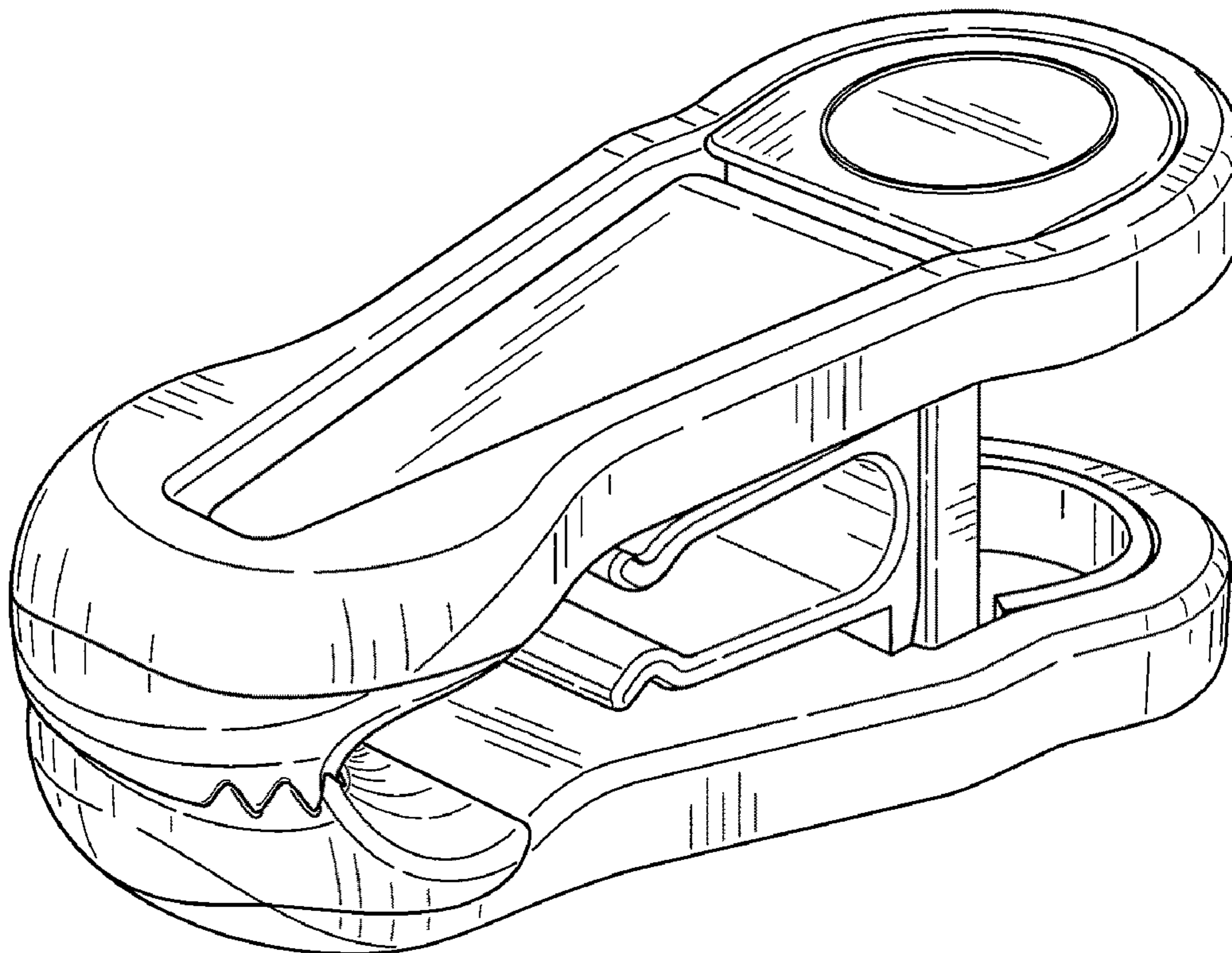
FIG. 4 is a right side view of the hanger clip of FIG. 1;

FIG. 5 is a left side view of the hanger clip of FIG. 1.

FIG. 6 is a top plan view of the hanger clip of FIG. 1; and,

FIG. 7 is a bottom plan view of the hanger clip of FIG. 1.

1 Claim, 3 Drawing Sheets



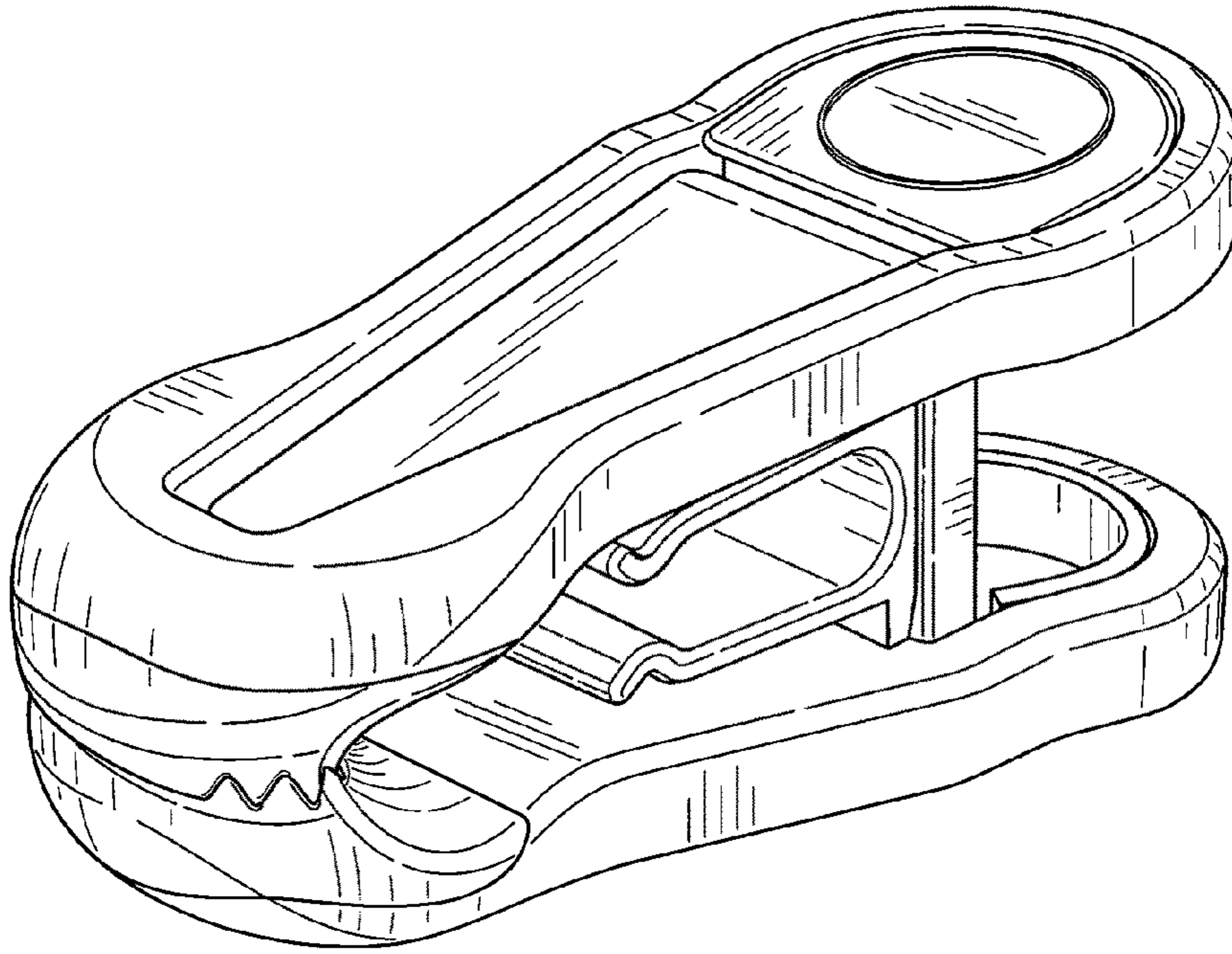


FIG. 1

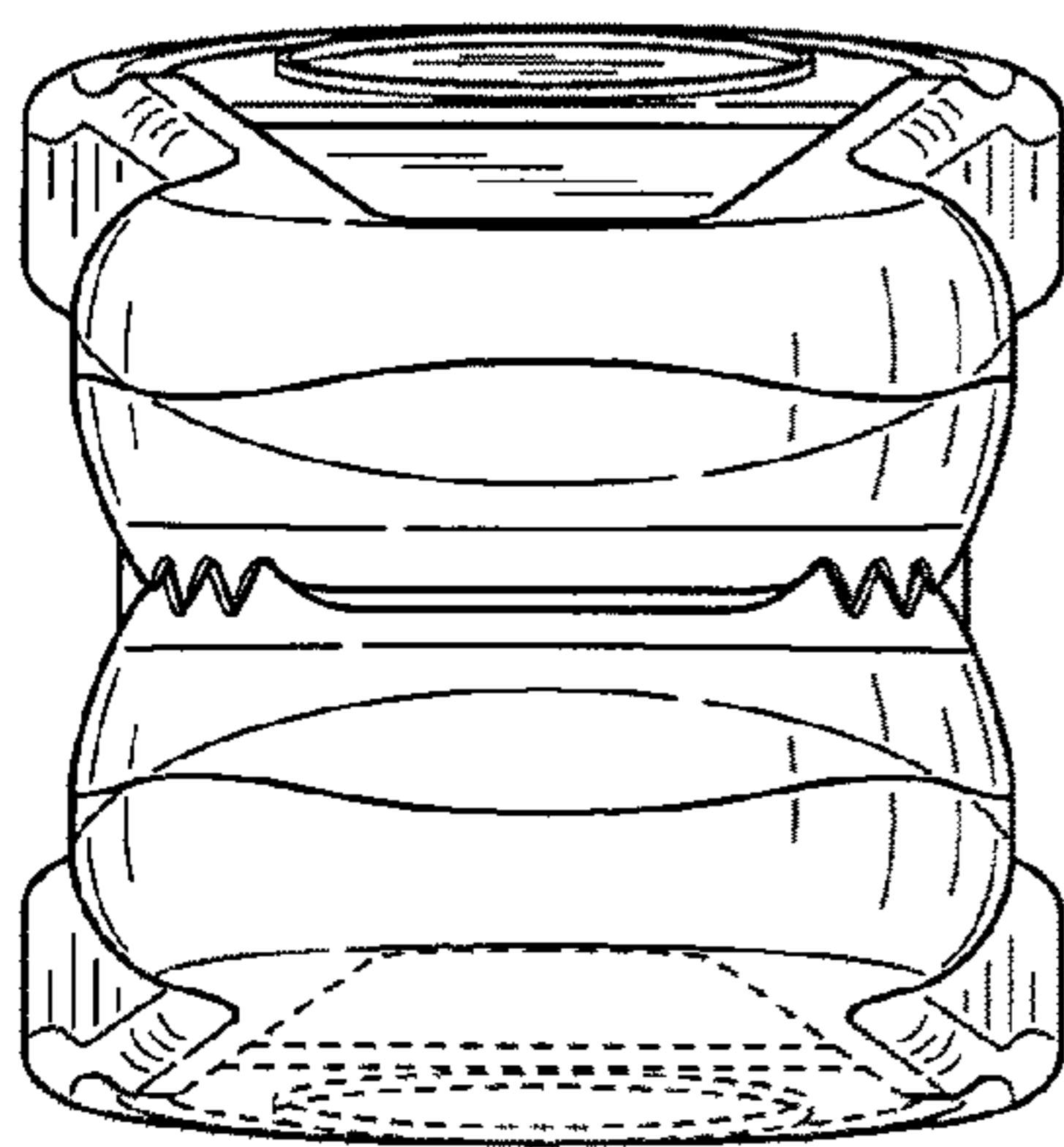


FIG. 2

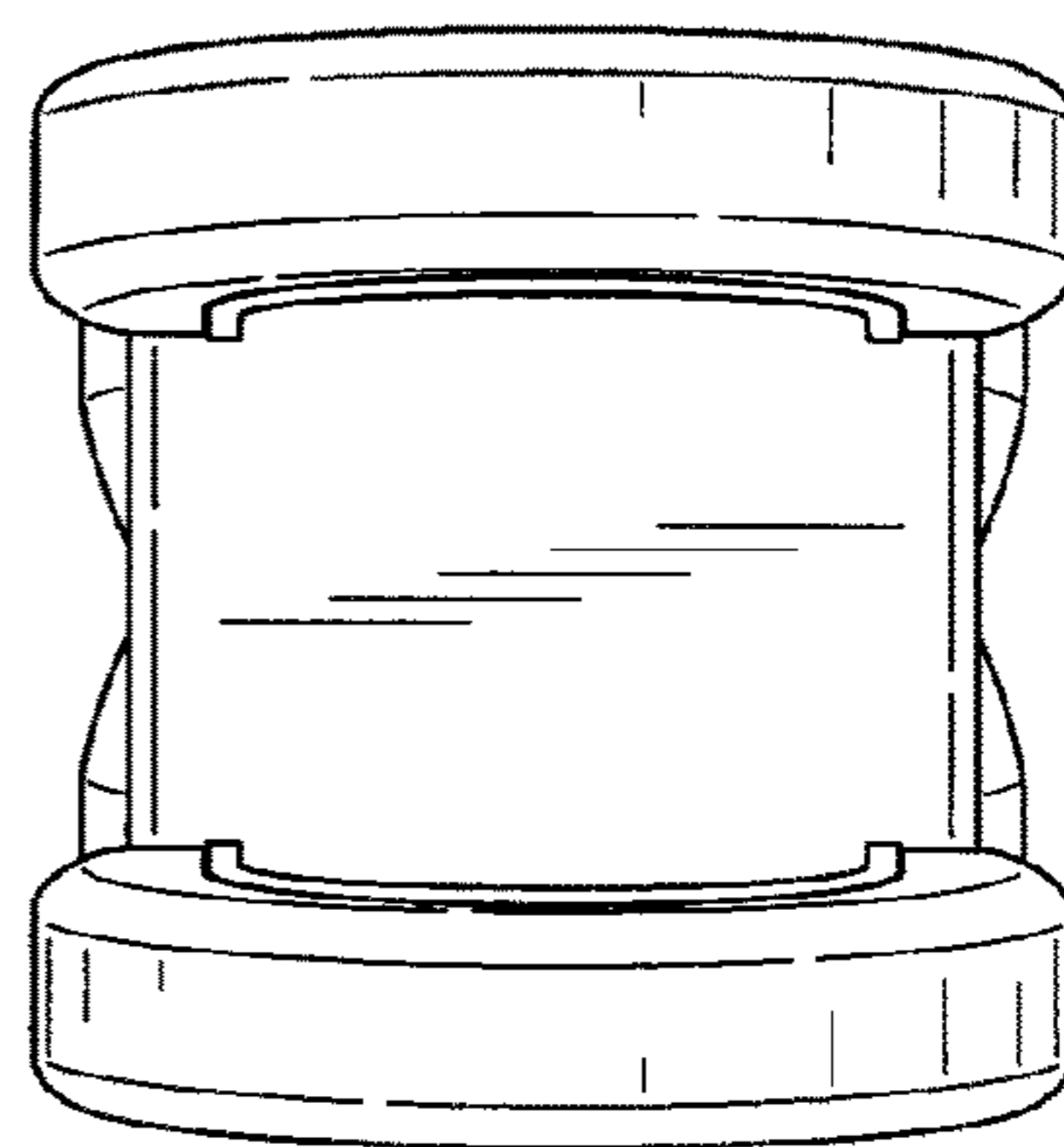


FIG. 3

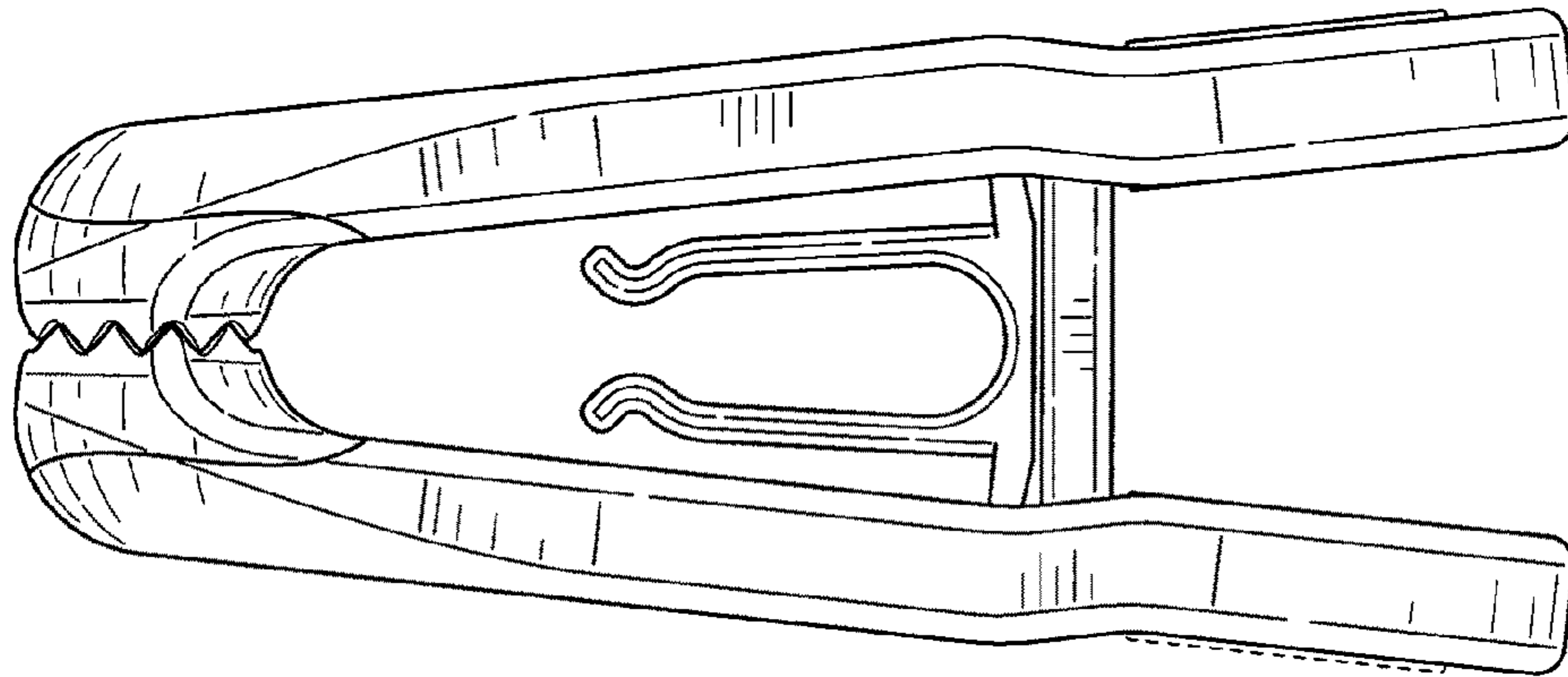


FIG. 4

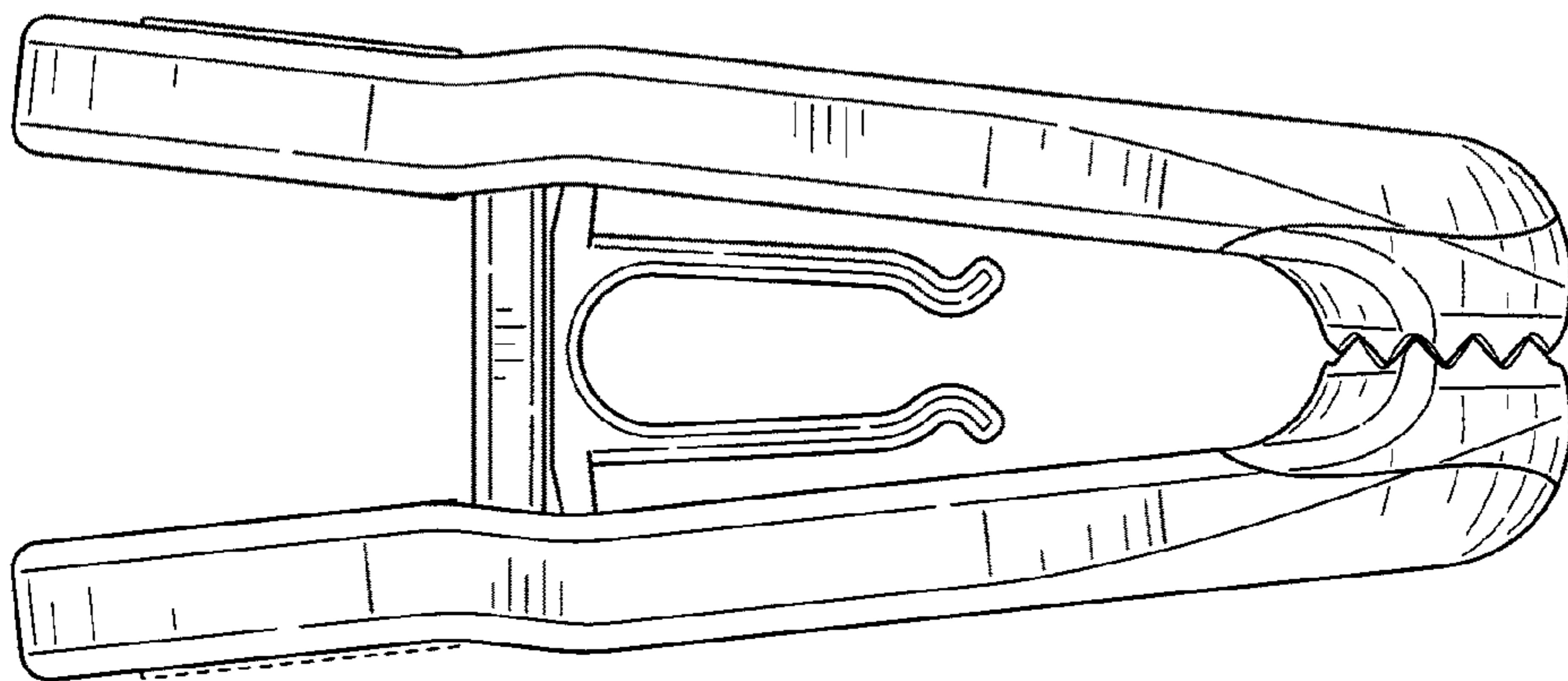


FIG. 5

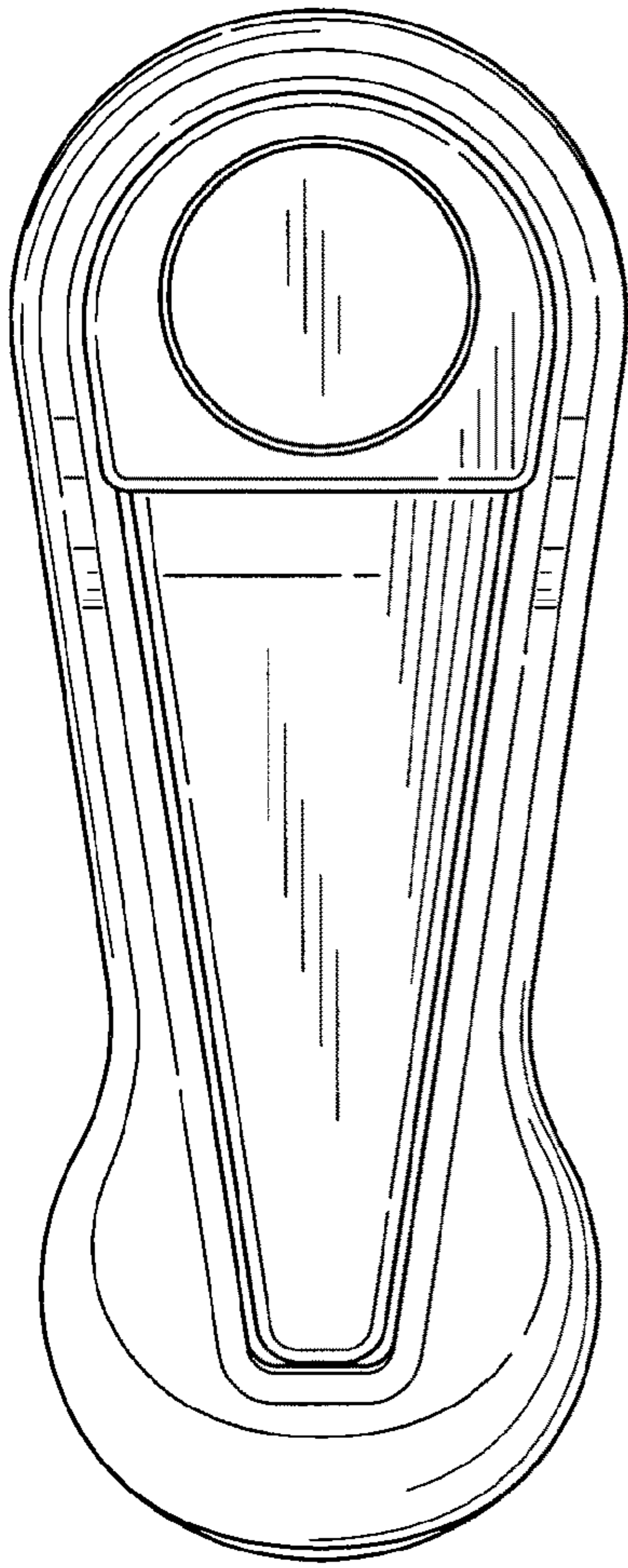


FIG. 6

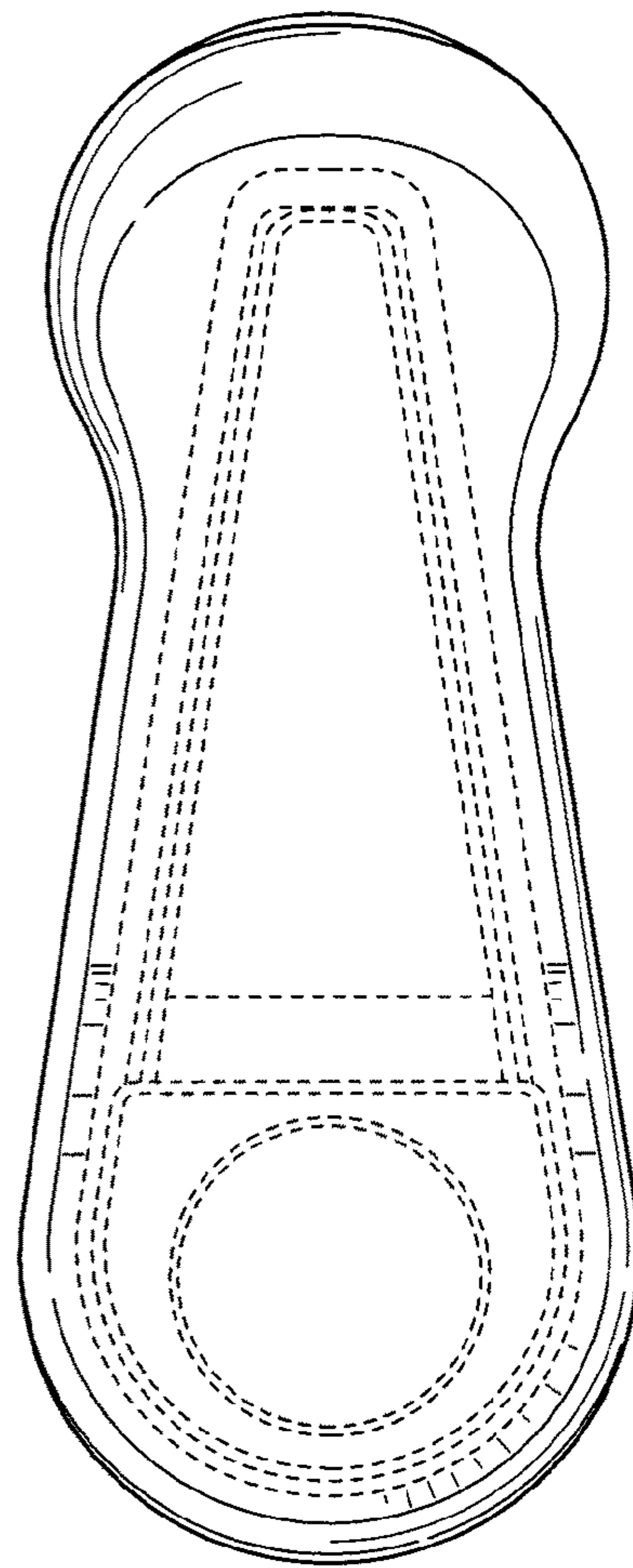


FIG. 7