

US00D667723S

(12) **United States Design Patent**
Minamikawa

(10) **Patent No.:** **US D667,723 S**

(45) **Date of Patent:** **** Sep. 25, 2012**

(54) **METAL FITTING FOR FURRING STRIP**

6,554,555 B2 * 4/2003 Imahigashi 411/533
6,752,577 B2 * 6/2004 Chen et al. 411/508
D609,552 S * 2/2010 Anderson et al. D8/349

(75) Inventor: **Masaya Minamikawa**, Nagoya (JP)

(73) Assignee: **Nichiha Corporation**, Nagoya-Shi (JP)

(**) Term: **14 Years**

(21) Appl. No.: **29/392,640**

(22) Filed: **May 24, 2011**

(51) **LOC (9) Cl.** **08-08**

(52) **U.S. Cl.** **D8/382**

(58) **Field of Classification Search** D8/382,
D8/349, 352, 395, 399; 411/544, 160, 134
See application file for complete search history.

FOREIGN PATENT DOCUMENTS

JP D1143253 6/2002
JP 2006-90045 A 4/2006

* cited by examiner

Primary Examiner — Sheryl Lane

(74) *Attorney, Agent, or Firm* — Birch, Stewart, Kolasch & Birch, LLP

(57) **CLAIM**

The ornamental design for a metal fitting for furring strip, as shown and described.

DESCRIPTION

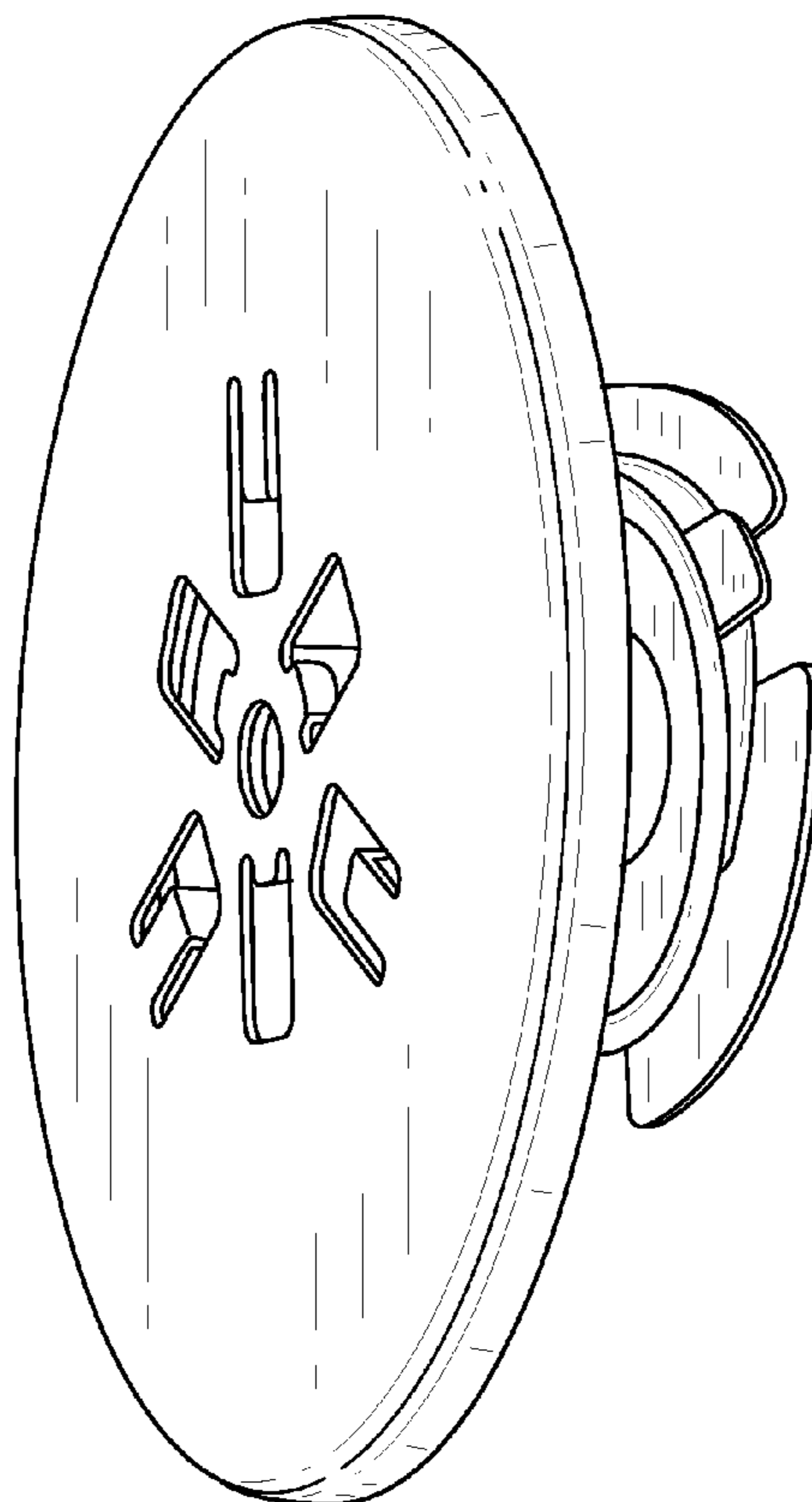
FIG. 1 is a front view of a metal fitting for furring strip showing my new design;
FIG. 2 is a back view thereof;
FIG. 3 is a top view thereof;
FIG. 4 is a bottom view thereof;
FIG. 5 is a right side view thereof;
FIG. 6 is a left side view thereto;
FIG. 7 is a front perspective view thereof; and,
FIG. 8 is a back perspective view thereof.

1 Claim, 4 Drawing Sheets

(56) **References Cited**

U.S. PATENT DOCUMENTS

330,492 A * 11/1885 Johnson 411/149
4,031,936 A * 6/1977 Curtis 411/134
4,103,725 A * 8/1978 Abe 411/160
D279,163 S * 6/1985 Lye D8/25
D283,591 S * 4/1986 Swanstrom D8/387
D284,264 S * 6/1986 Resan D8/382
D327,111 S * 6/1992 Hemming D22/140
D362,176 S * 9/1995 Solbeck D8/382
5,709,516 A * 1/1998 Peterson et al. 411/544
D462,256 S * 9/2002 Jaynes D8/382



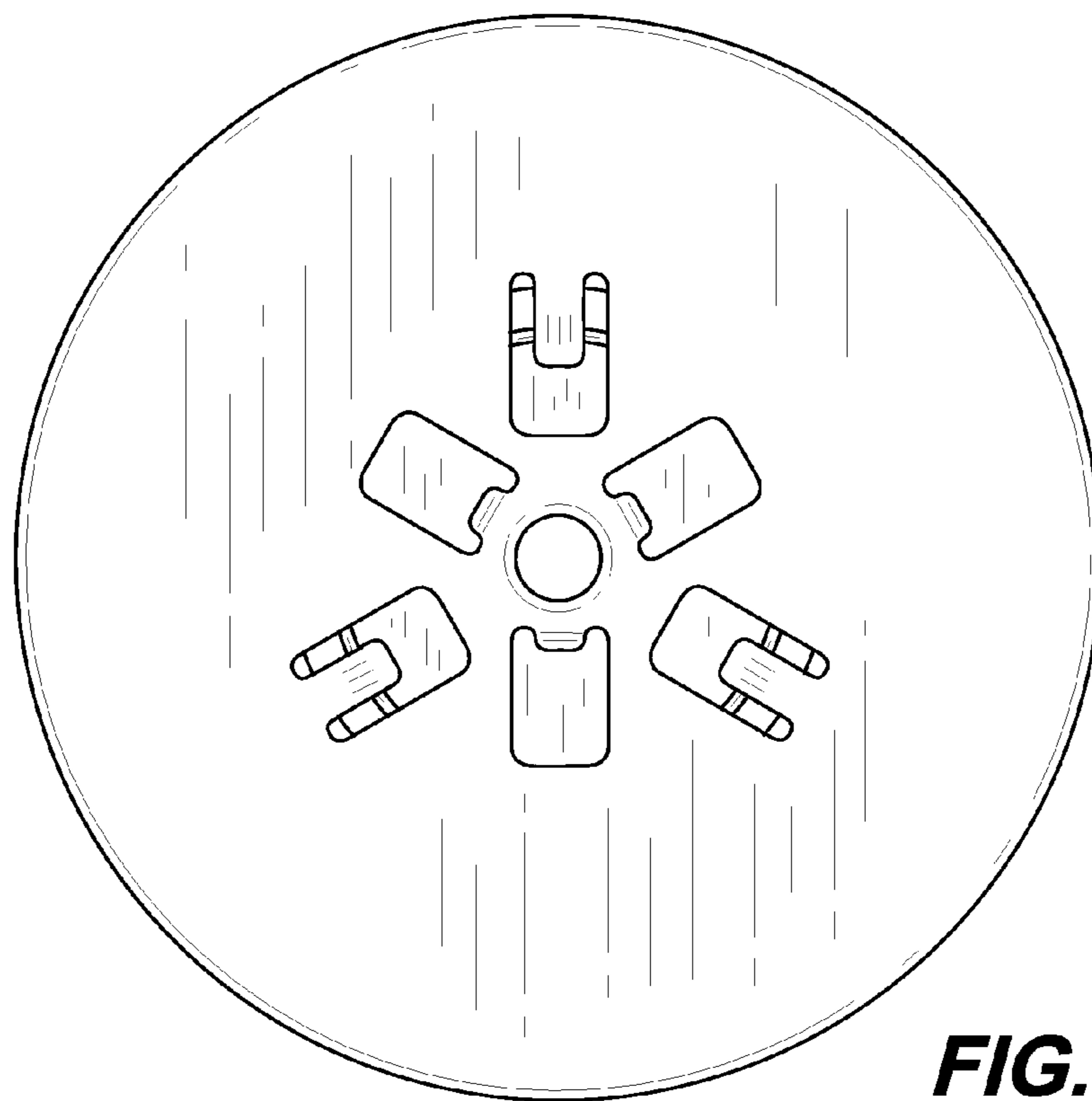


FIG. 1

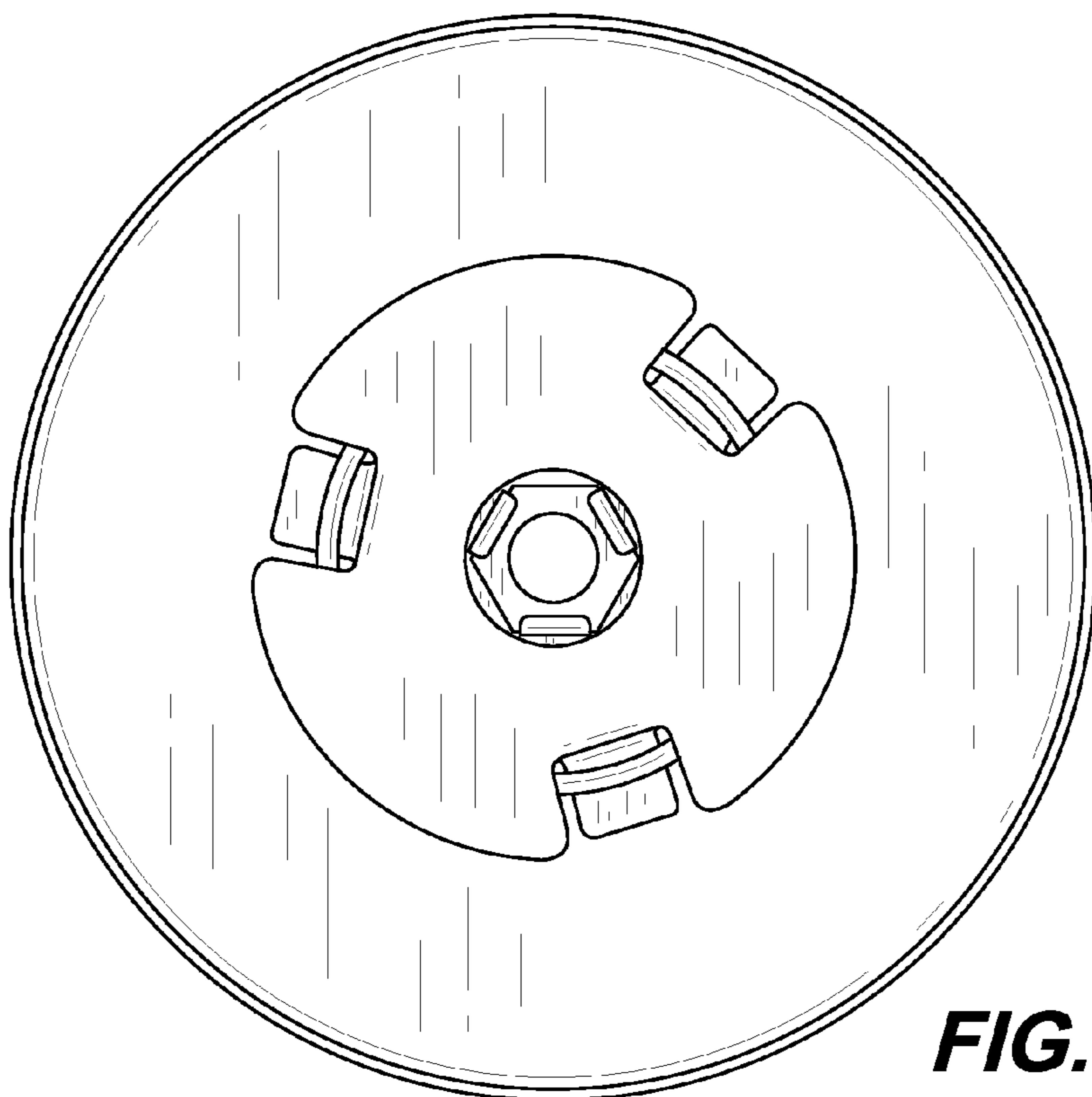


FIG. 2

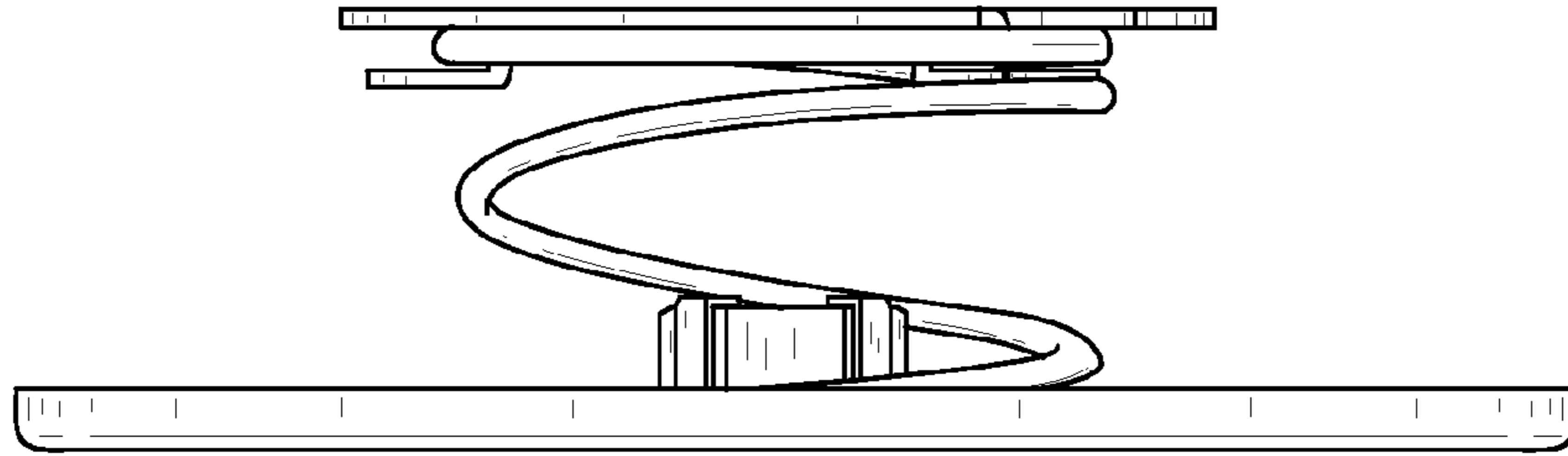


FIG. 3

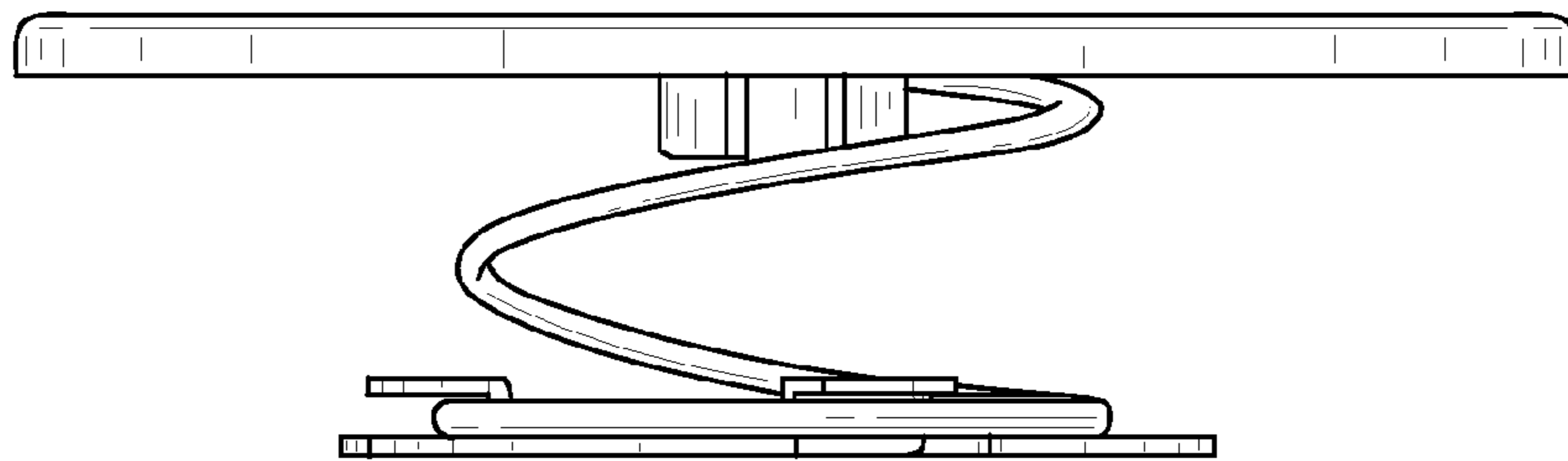


FIG. 4

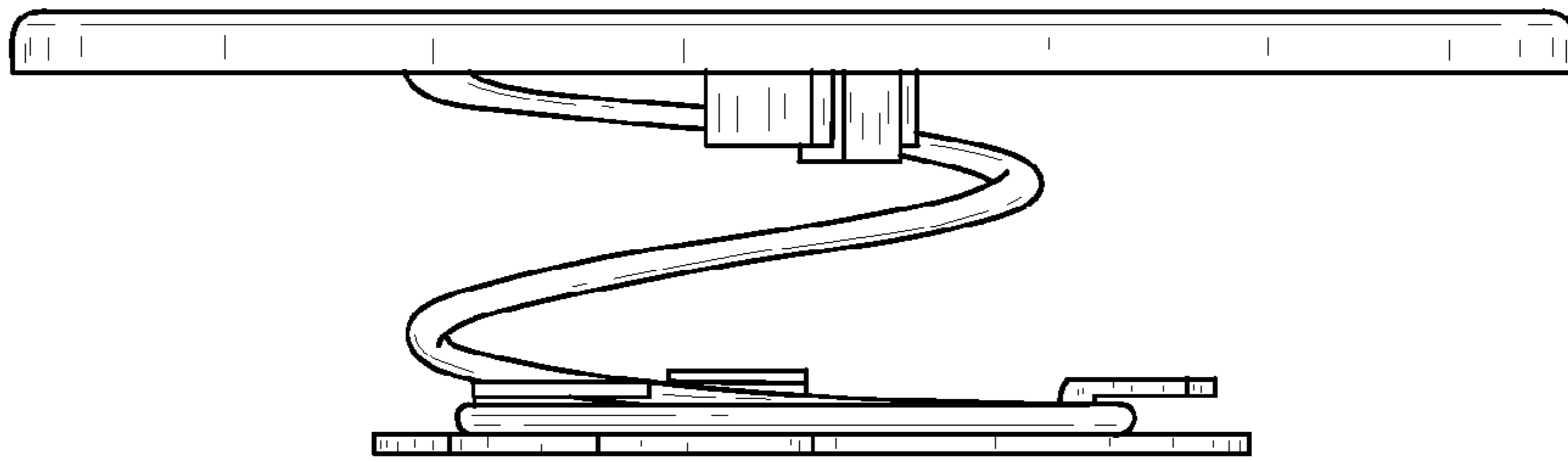


FIG. 6

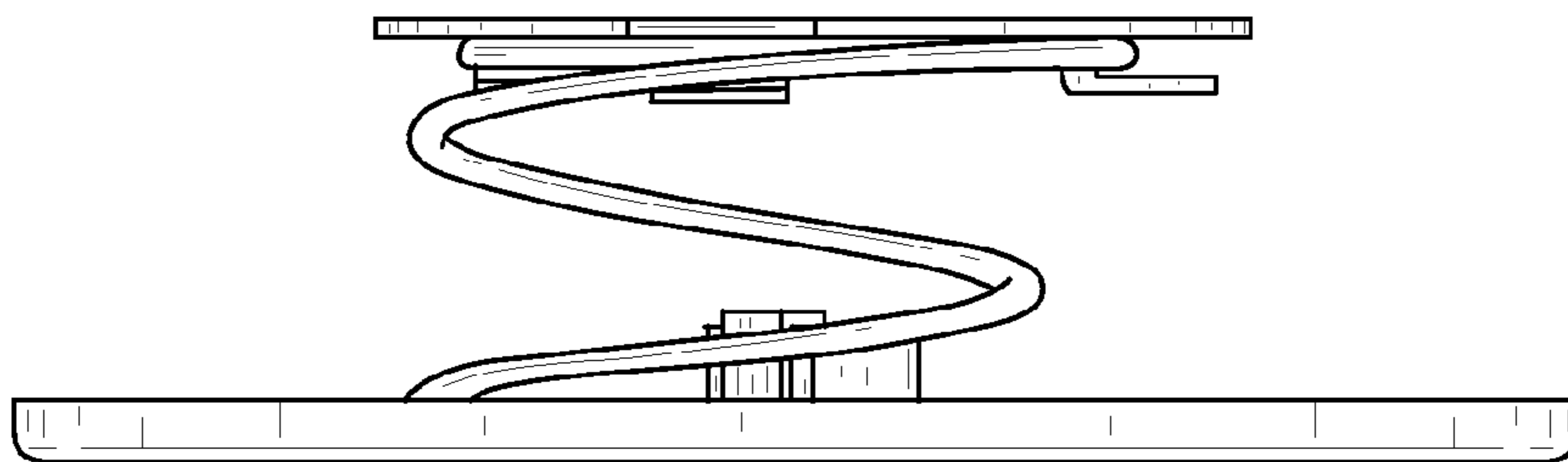


FIG. 5

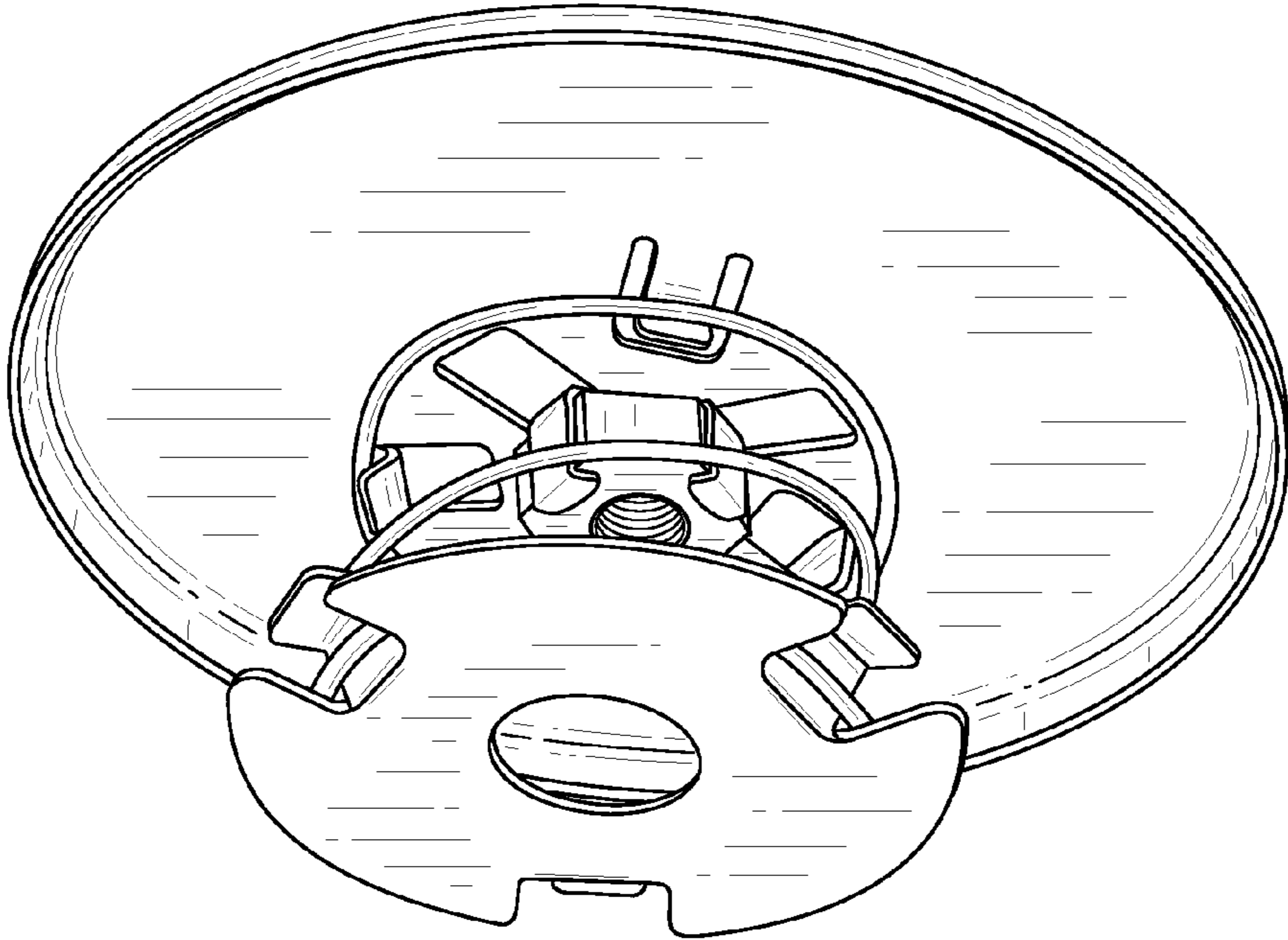


FIG. 8

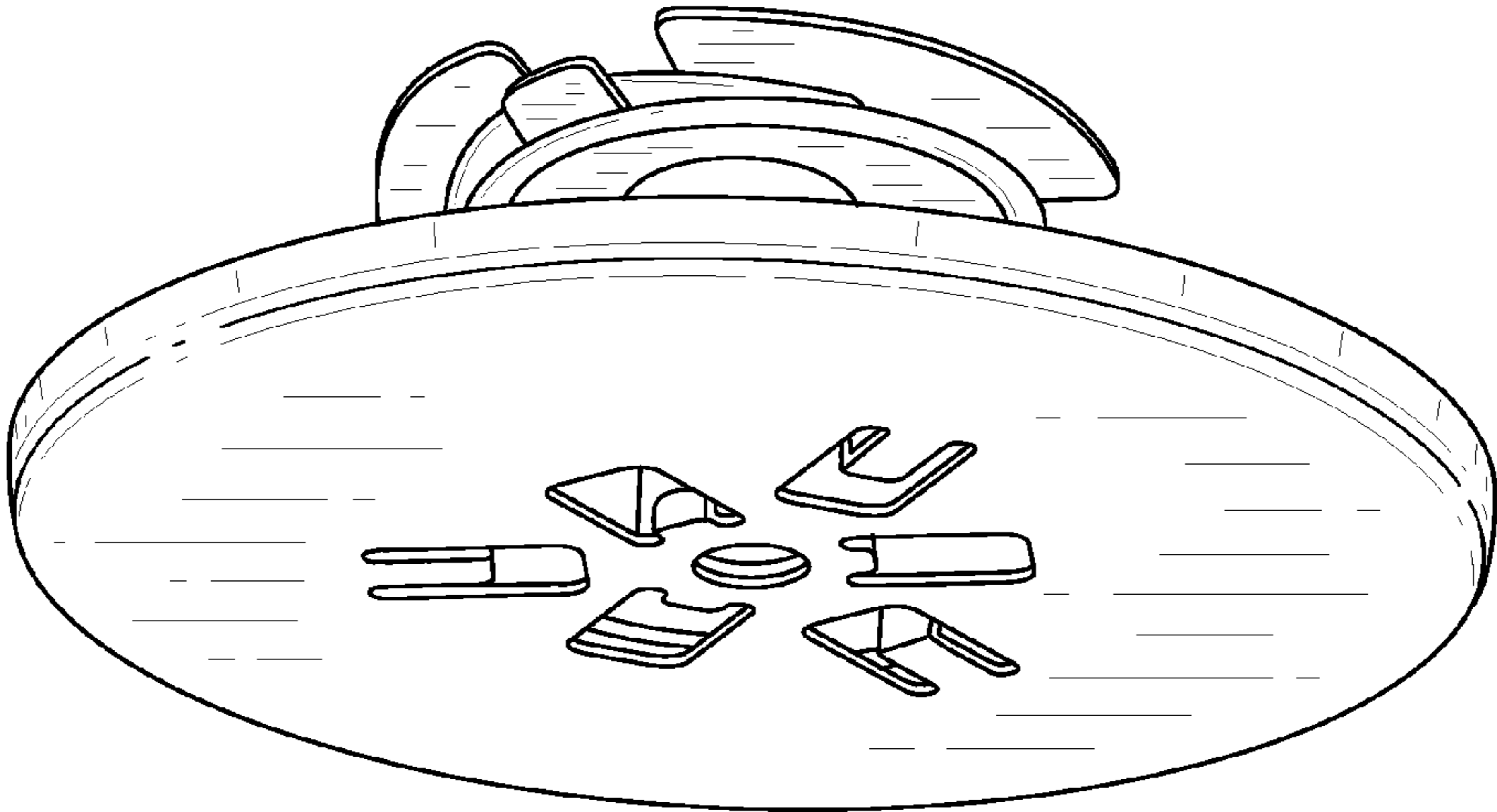


FIG. 7