

US00D667722S

(12) **United States Design Patent**
Krohmer et al.

(10) **Patent No.:** **US D667,722 S**

(45) **Date of Patent:** **** Sep. 25, 2012**

(54) **SHELF WRAP BRACKET**

(56) **References Cited**

(75) Inventors: **Steve Donald Krohmer**, Coon Rapids, MN (US); **Daniel L. Wenning**, Minneapolis, MN (US); **Daniel Patrick Banasik**, Eagan, MN (US); **James Joseph Frey**, Edina, MN (US); **Todd Elliott Krystof**, Downers Grove, IL (US)

U.S. PATENT DOCUMENTS

D196,812 S * 11/1963 Byers D3/266
4,228,905 A * 10/1980 Cammarota 211/41.2
D296,187 S * 6/1988 Mischenko D8/380

* cited by examiner

Primary Examiner — Holly Baynham
(74) *Attorney, Agent, or Firm* — Altera Law Group, LLC

(73) Assignee: **Rockler Companies, Inc.**, Medina, MN (US)

(57) **CLAIM**
The ornamental design for a shelf wrap bracket, as shown and described.

(**) Term: **14 Years**

DESCRIPTION

(21) Appl. No.: **29/404,761**

FIG. 1 is a perspective view of the shelf wrap bracket.
FIG. 2 is a front view thereof.
FIG. 3 is a rear view thereof.
FIG. 4 is a top view thereof.
FIG. 5 is a bottom view thereof; and,
FIG. 6 is a side view thereof, sides being symmetrical.
The broken line showing of a panel is included for the purpose of illustrating environment and forms no part of the claimed design.

(22) Filed: **Oct. 25, 2011**

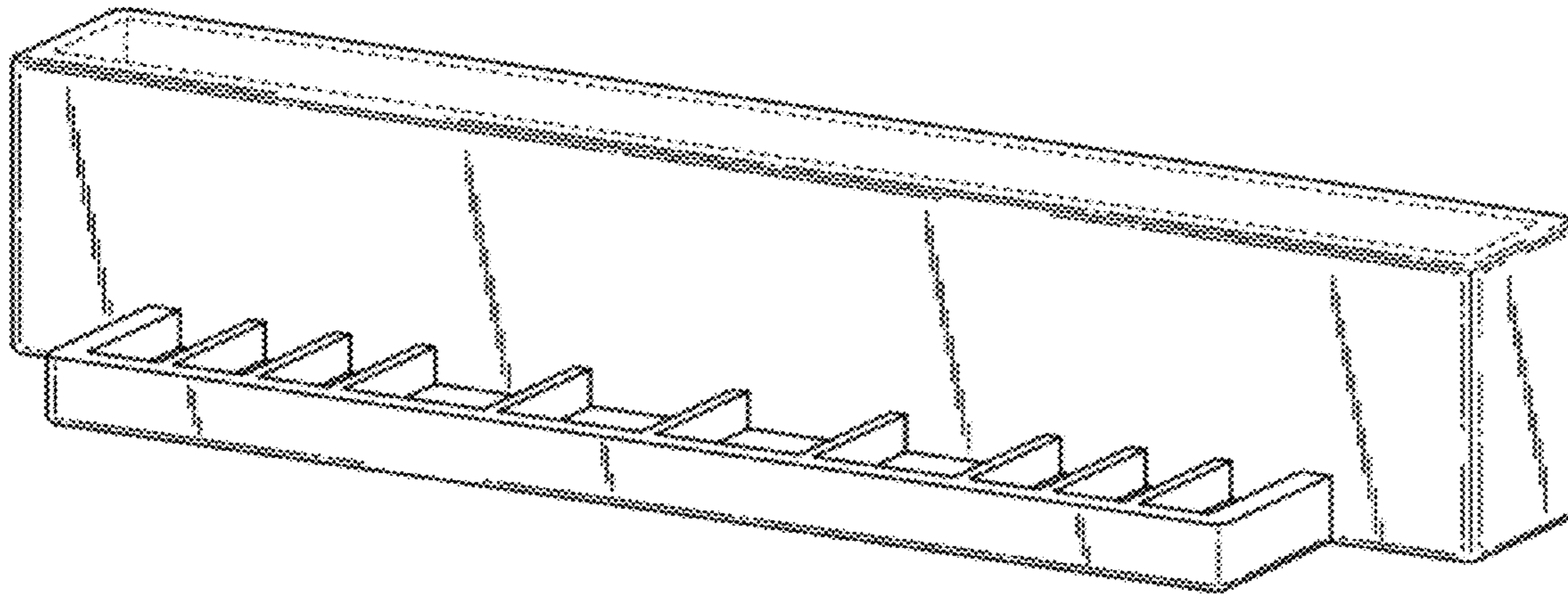
(51) **LOC (9) Cl.** **08-05**

(52) **U.S. Cl.** **D8/380**

(58) **Field of Classification Search** D8/349,
D8/354, 380; 248/300, 309.1; 211/41.2

See application file for complete search history.

1 Claim, 4 Drawing Sheets



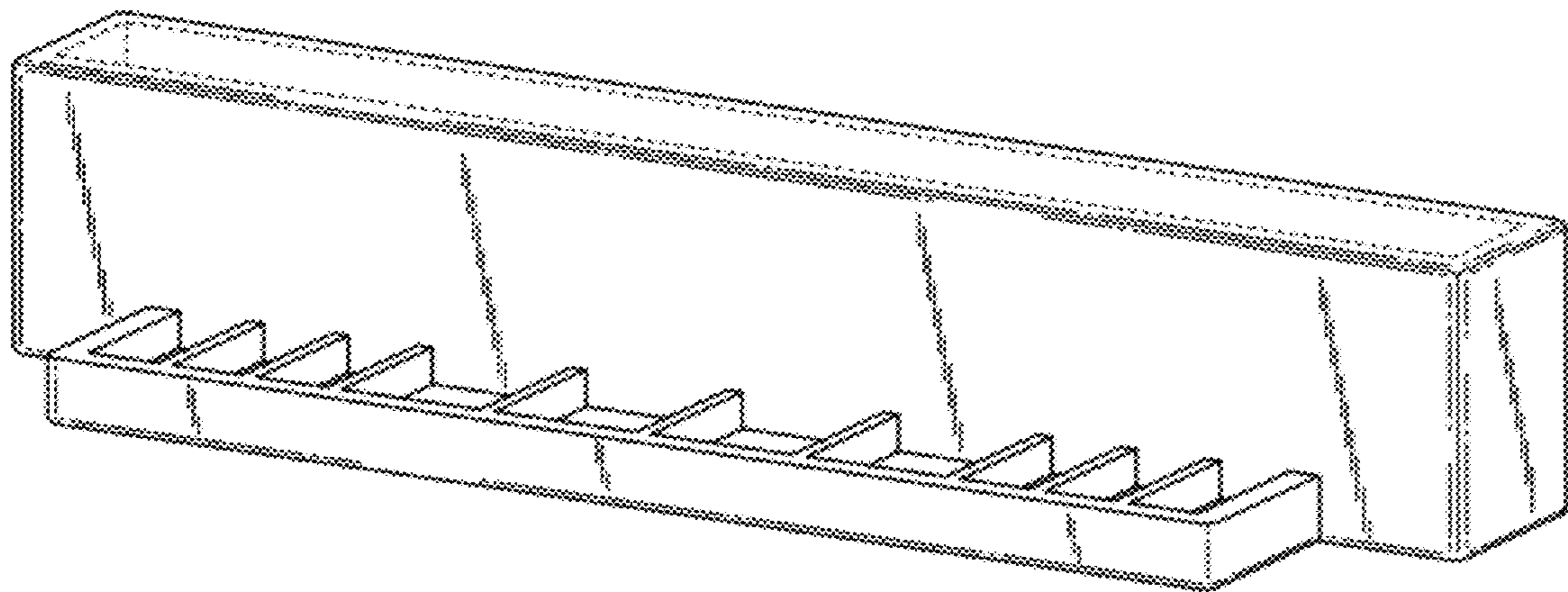


Fig. 1



Fig. 2



Fig. 3

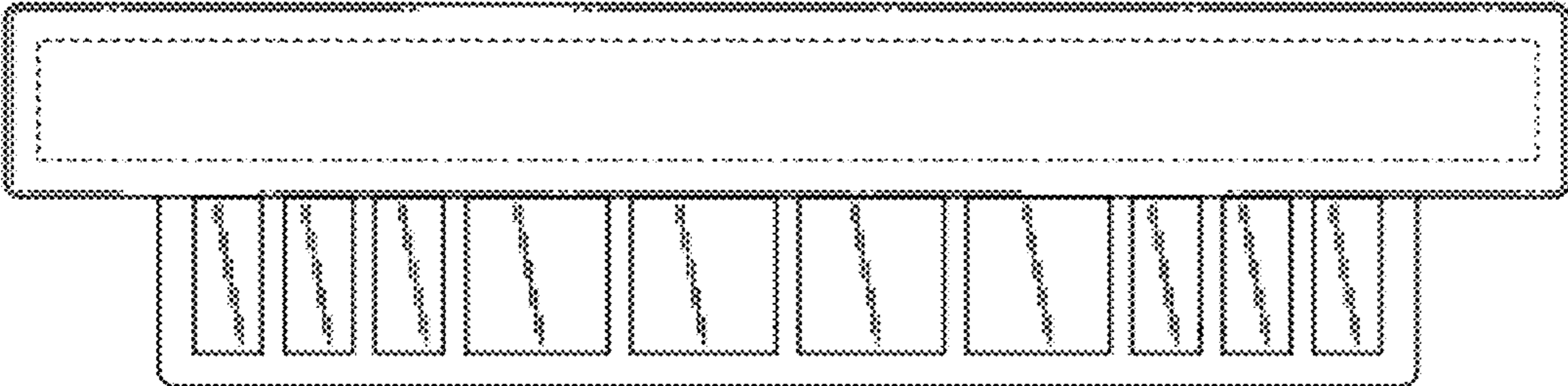


Fig. 4

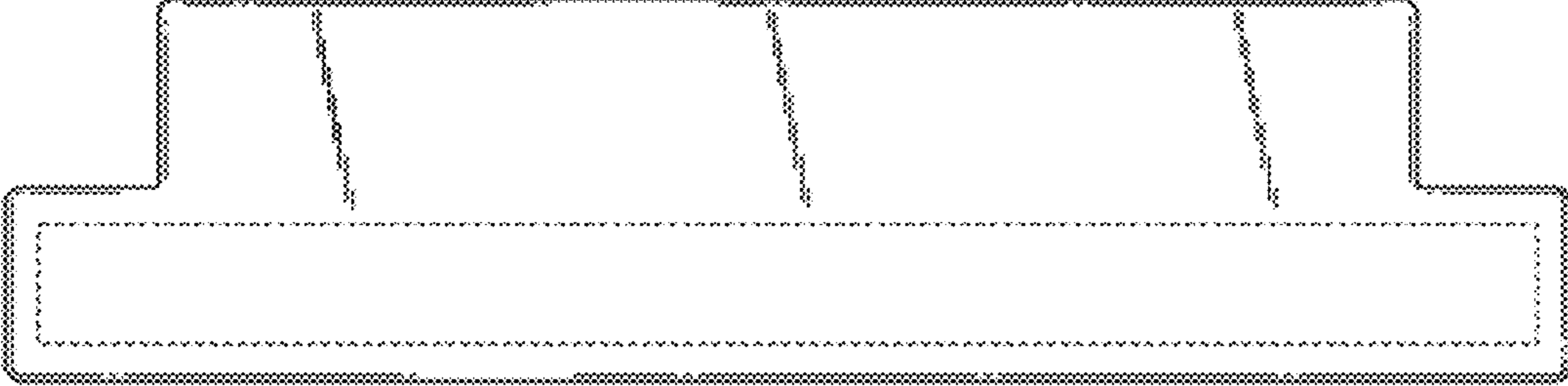


Fig. 5

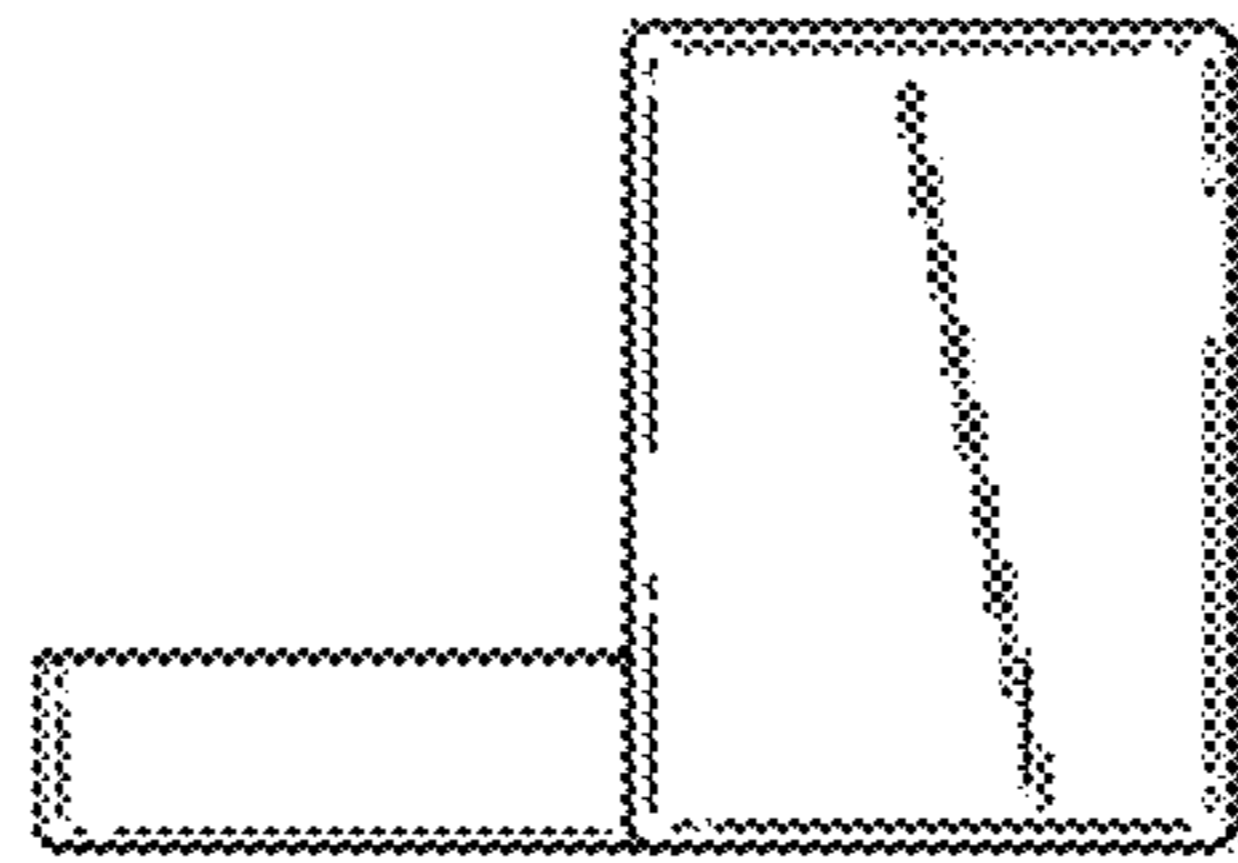


Fig. 6