

US00D667721S

(12) **United States Design Patent**
Morton

(10) **Patent No.:** **US D667,721 S**

(45) **Date of Patent:** **** Sep. 25, 2012**

(54) **SLIDING GLASS DOOR TRACK EXTRUSION**

(75) Inventor: **Jonathan G. Morton**, Carlisle, OH (US)

(73) Assignee: **Deceuninck North America, LLC**,
Monroe, OH (US)

(**) Term: **14 Years**

(21) Appl. No.: **29/373,892**

(22) Filed: **Jun. 6, 2011**

(51) **LOC (9) Cl.** **08-05**

(52) **U.S. Cl.** **D8/377; D25/121**

(58) **Field of Classification Search** **D8/377;**
D25/121, 122, 48.1; 49/69, 130, 155, 176,
49/212, 410, 411, 423, 428, 434, 440, 453,
49/457; 52/207

See application file for complete search history.

(56) **References Cited**

U.S. PATENT DOCUMENTS

D268,809 S * 5/1983 Marontate D8/377
D488,713 S * 4/2004 Liesegang-Stoiber D8/377

7,021,007 B2 * 4/2006 Jacobs 49/425
D525,372 S * 7/2006 Levi-Senigaglia D25/121
D572,375 S 7/2008 Morton et al.
7,685,773 B2 3/2010 Morton
2007/0151179 A1* 7/2007 Speyer et al. 52/207

* cited by examiner

Primary Examiner — Doris Clark

(74) *Attorney, Agent, or Firm* — Jacox, Meckstroth &
Jenkins

(57) **CLAIM**

The ornamental design for a sliding glass door track extrusion, as shown and described.

DESCRIPTION

FIG. 1 is a perspective view of a sliding glass door track extrusion, showing my new design, with a middle portion broken away to disclose indefinite length; and, FIG. 2 is an end view thereof, the opposite end view being the same.

1 Claim, 1 Drawing Sheet

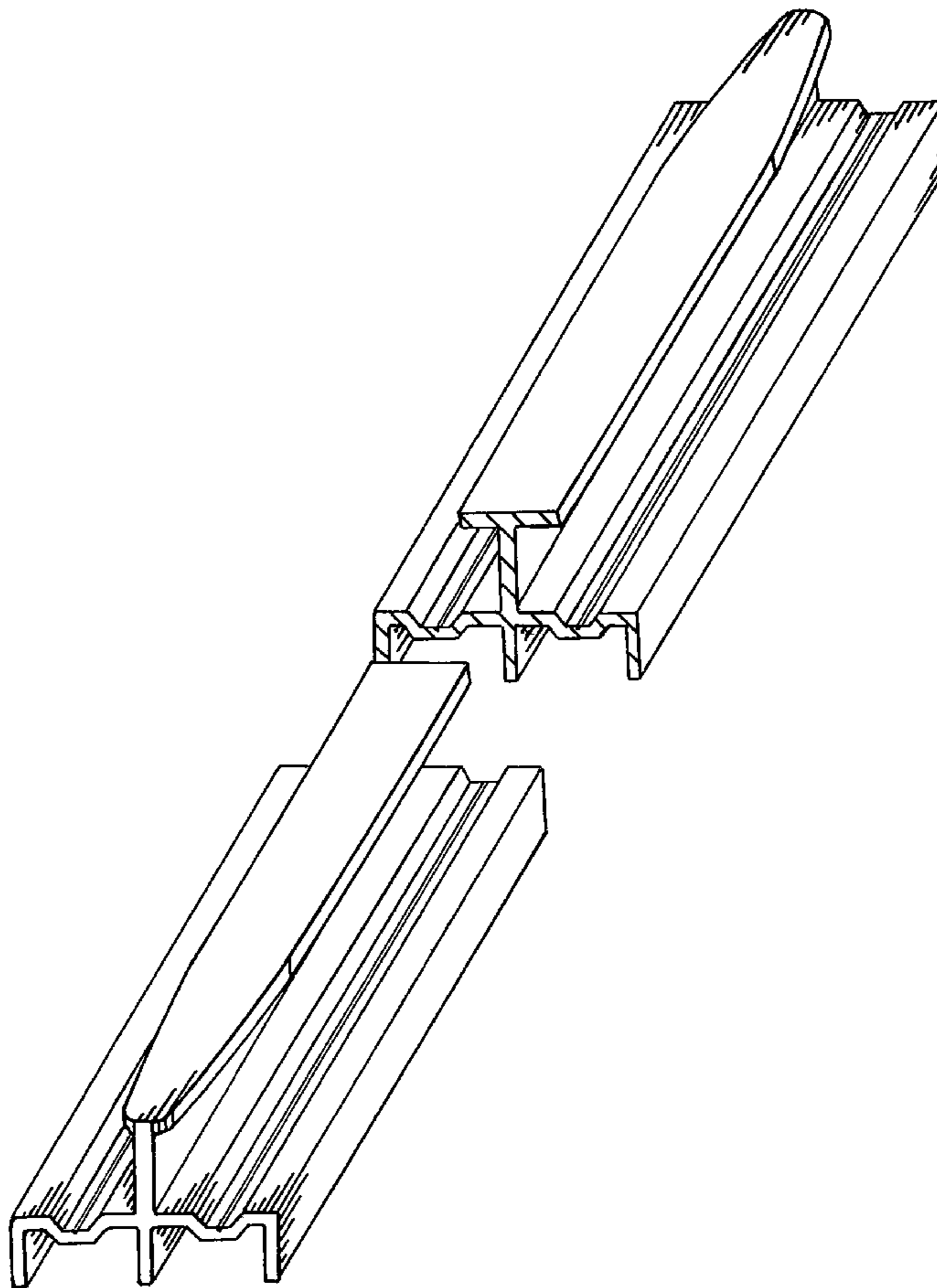


FIG. 1

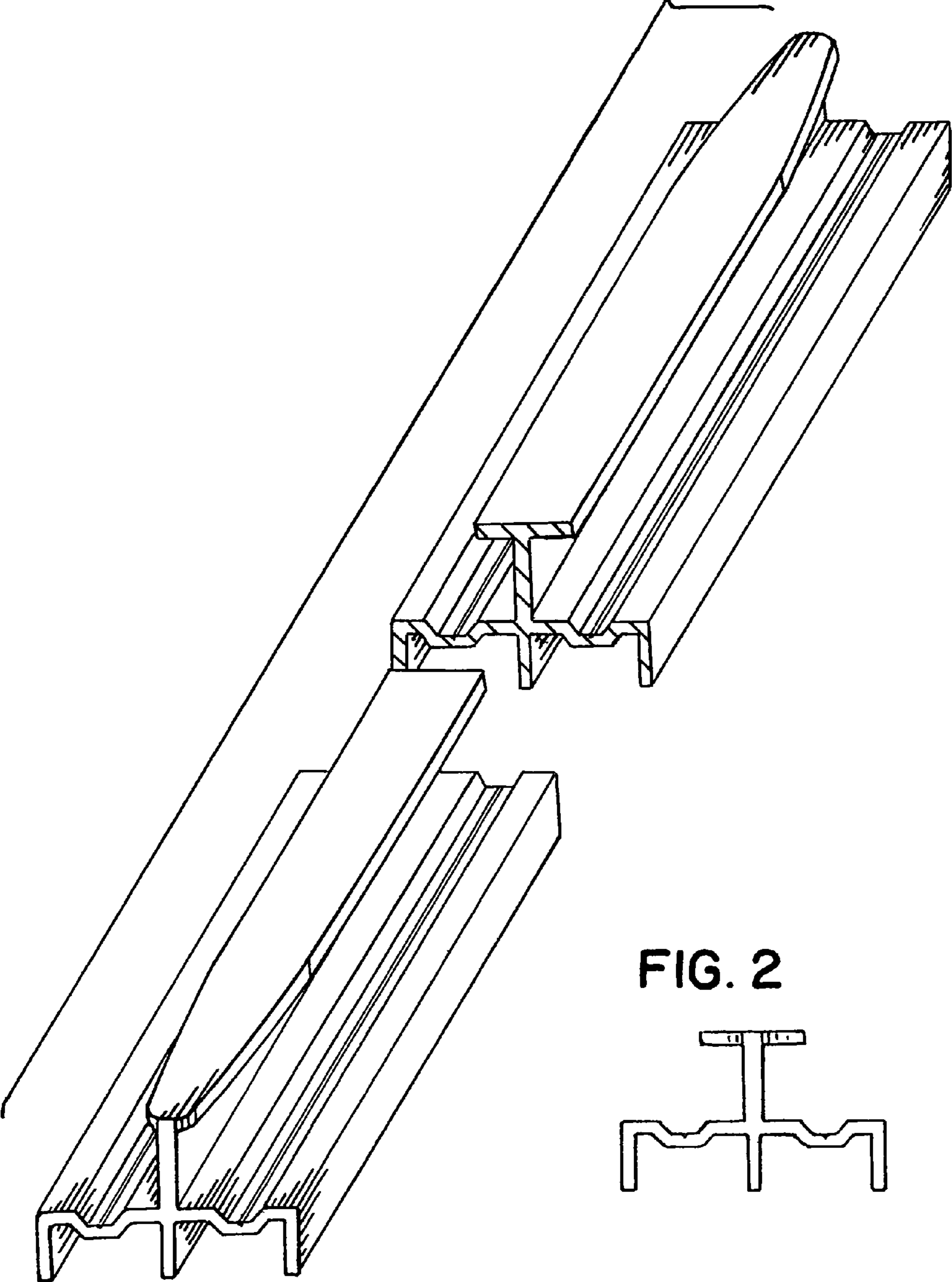


FIG. 2

