



US00D667720S

(12) **United States Design Patent**  
**Berkowitz**

(10) **Patent No.:** **US D667,720 S**

(45) **Date of Patent:** **\*\* \*Sep. 25, 2012**

(54) **HANGER**

(75) Inventor: **Adam Berkowitz**, Toronto (CA)

(73) Assignee: **Trimtag Trading Inc.**, Richmond Hill (CA)

(\*) Notice: This patent is subject to a terminal disclaimer.

(\*\*) Term: **14 Years**

(21) Appl. No.: **29/380,656**

(22) Filed: **Dec. 9, 2010**

(30) **Foreign Application Priority Data**

Jun. 11, 2010 (CA) ..... 135906

(51) **LOC (9) Cl.** ..... **08-05**

(52) **U.S. Cl.** ..... **D8/367**

(58) **Field of Classification Search** ..... D8/367,  
D8/354, 349, 323, 382, 328; 294/143; 211/118;  
D12/115; 248/340

See application file for complete search history.

(56) **References Cited**

**U.S. PATENT DOCUMENTS**

2,679,998 A \* 6/1954 Keller ..... 248/205.3  
2,938,746 A \* 5/1960 Willman ..... 292/336.3  
D346,950 S \* 5/1994 Dunn et al. .... D8/367

5,921,514 A \* 7/1999 Schumann ..... 248/205.3  
D449,977 S \* 11/2001 Dembowiak et al. .... D8/367  
D467,791 S \* 12/2002 Goodman et al. .... D8/371  
D480,625 S \* 10/2003 Snell ..... D8/367  
D482,952 S \* 12/2003 Steinman ..... D8/373  
D490,694 S \* 6/2004 Levine-Umans ..... D8/367  
6,749,165 B2 \* 6/2004 Immerman ..... 248/304  
D499,008 S \* 11/2004 Chang ..... D8/370  
6,814,335 B2 \* 11/2004 Immerman ..... 248/304  
D531,487 S \* 11/2006 Dretzka ..... D8/367  
D592,041 S \* 5/2009 Drolet ..... D8/373  
D600,536 S \* 9/2009 Hager et al. .... D8/367  
D603,247 S \* 11/2009 Harrell et al. .... D8/367

\* cited by examiner

*Primary Examiner* — Cynthia Underwood

(74) *Attorney, Agent, or Firm* — John R. S. Orange; Blake, Cassels & Graydon LLP

(57) **CLAIM**

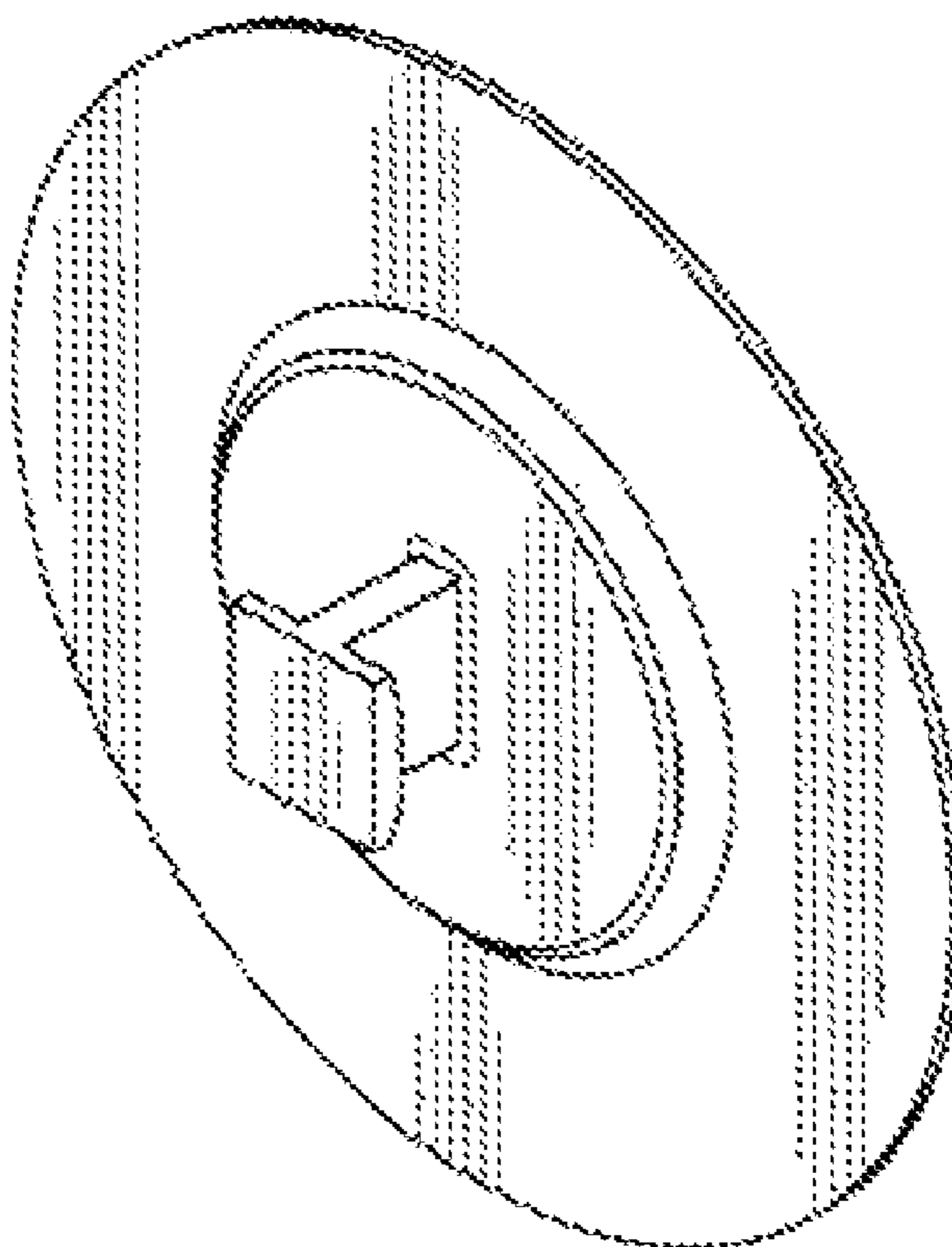
The ornamental design of a hanger, as shown and described.

**DESCRIPTION**

FIG. 1 is a front perspective view of a hanger;  
FIG. 2 is a front elevation of a hanger;  
FIG. 3 is a side view of a hanger;  
FIG. 4 is a side view from the opposite side;  
FIG. 5 is a plan view;  
FIG. 6 is a view from below; and,  
FIG. 7 is a rear view.

The broken lines are included for the illustrative purposes and form no part of the claimed design.

**1 Claim, 1 Drawing Sheet**



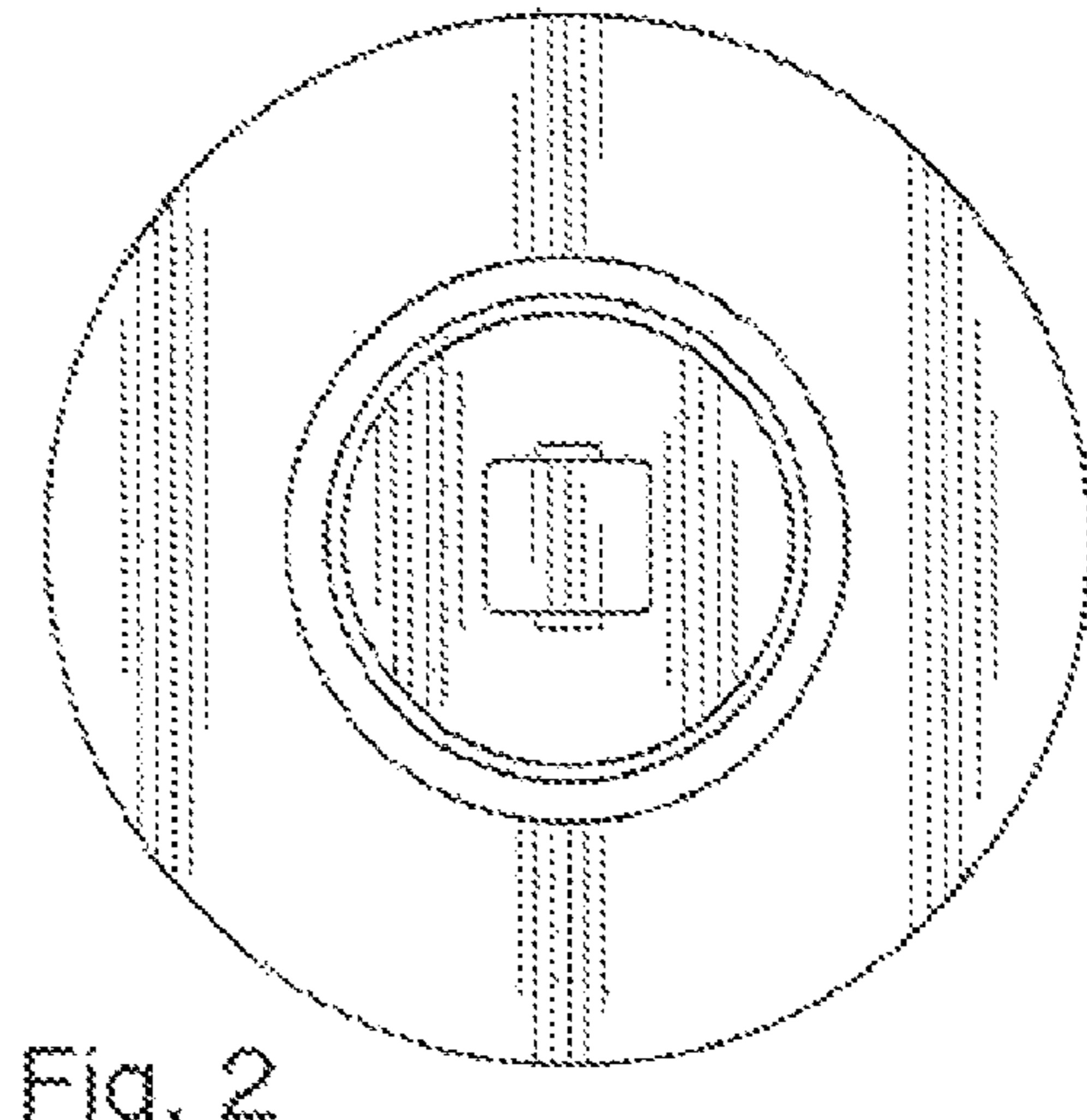
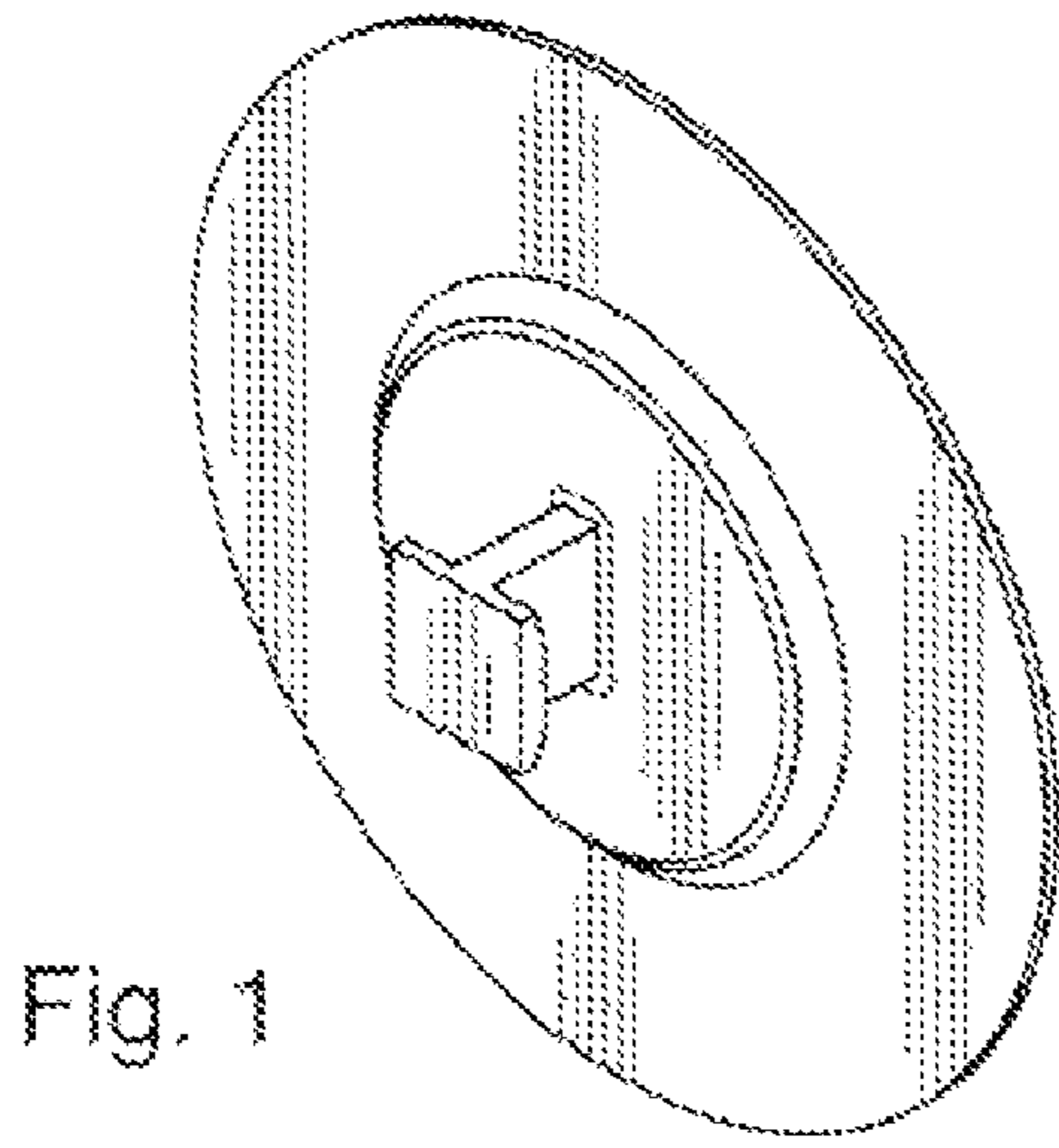


Fig. 1

Fig. 2

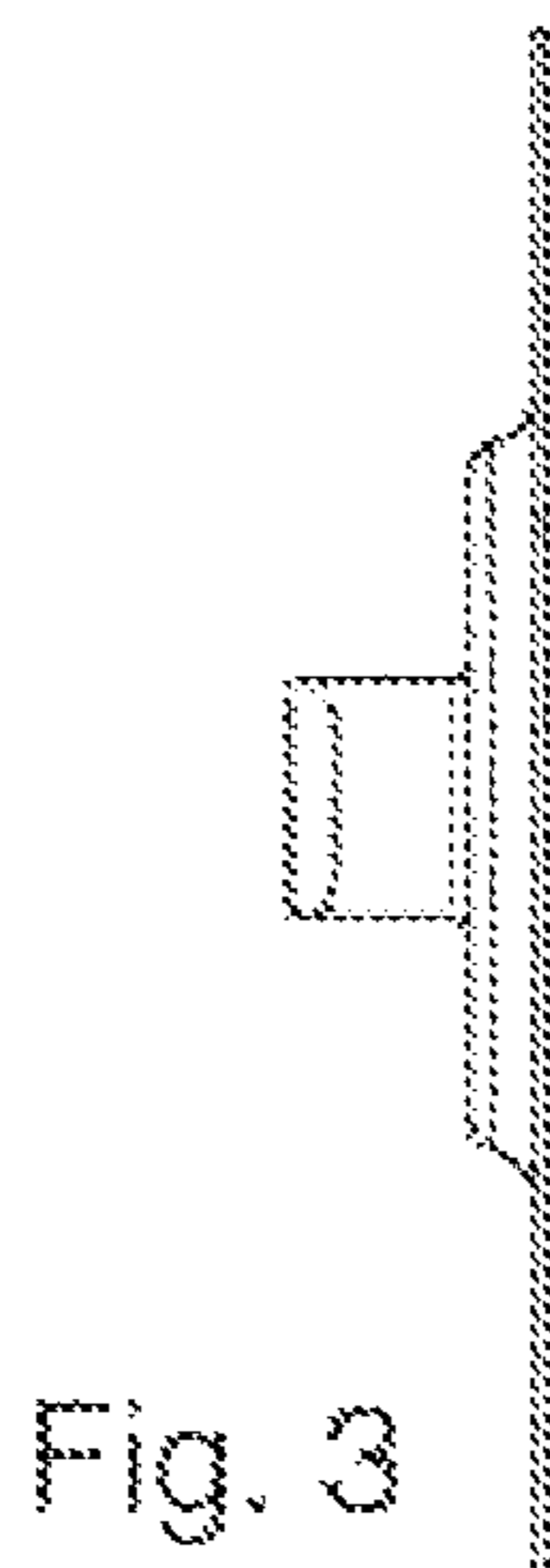


Fig. 3

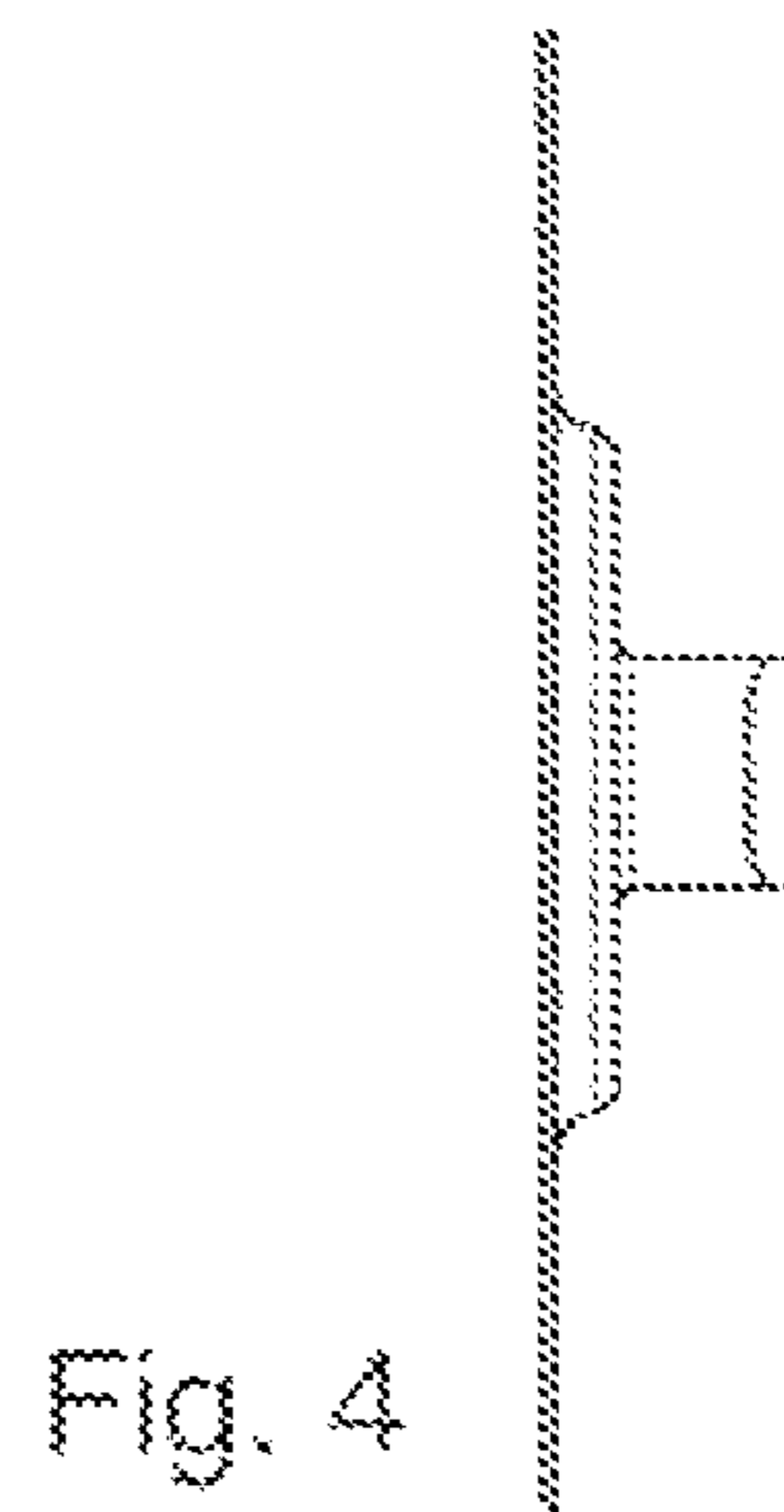


Fig. 4

Fig. 5

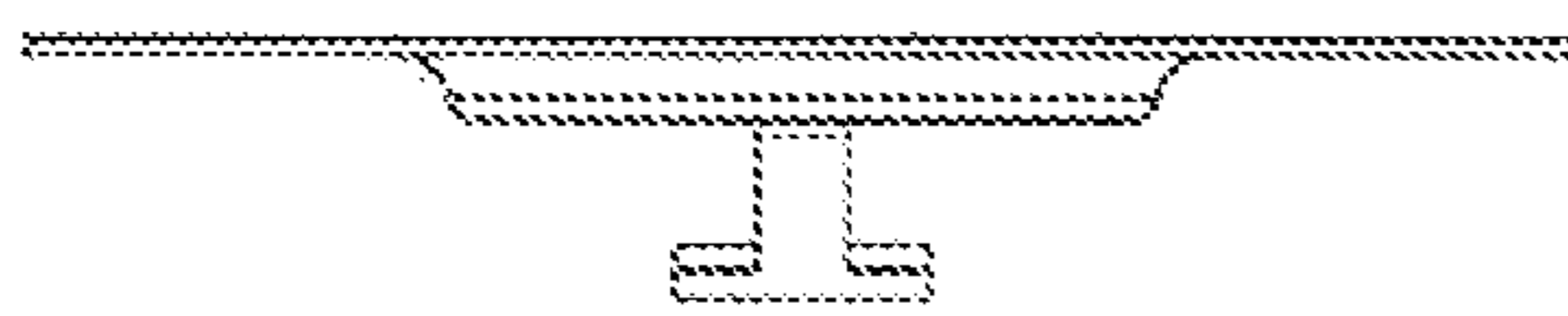


Fig. 6

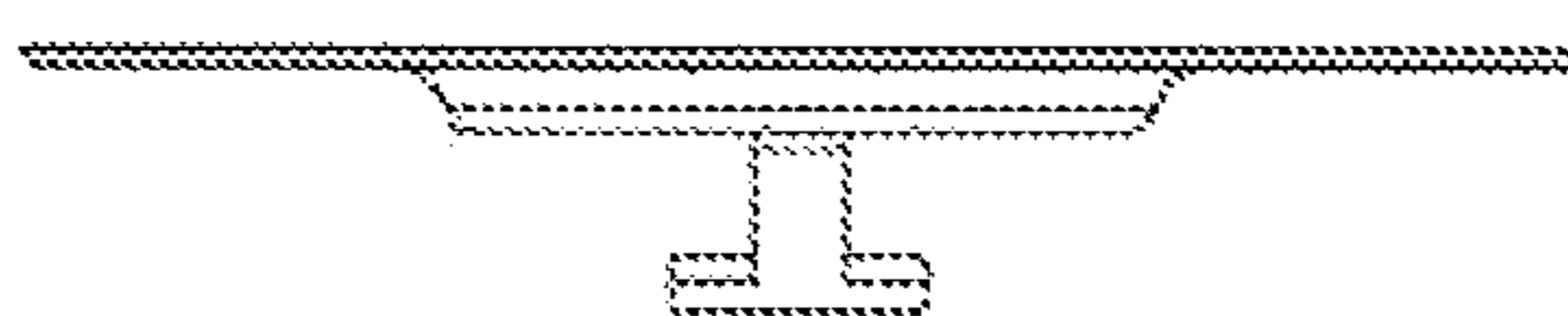


Fig. 7

