



US00D667718S

(12) **United States Design Patent**
Preda

(10) **Patent No.:** **US D667,718 S**

(45) **Date of Patent:** **** Sep. 25, 2012**

- (54) **BRACKET FOR DOOR FRAME**
- (75) Inventor: **George Preda, Kent, WA (US)**
- (73) Assignee: **George Preda, Kent, WA (US)**
- (**) Term: **14 Years**
- (21) Appl. No.: **29/395,479**
- (22) Filed: **Jan. 26, 2012**
- (51) **LOC (9) Cl.** **08-05**
- (52) **U.S. Cl.** **D8/354**
- (58) **Field of Classification Search** D8/354,
D8/380, 349, 382; 248/300, 237, 309.1;
52/188, 182, 191, 702, 712, 745.06, 189,
52/506.5, 586.1; 29/428, 525.01, 464; 249/14,
249/208, 205; 403/169, 167
See application file for complete search history.

D558,040	S	*	12/2007	Skinner et al.	D8/382
D558,041	S	*	12/2007	Skinner et al.	D8/382
D574,222	S	*	8/2008	Golias et al.	D8/349
D575,220	S	*	8/2008	Pockalny	D12/223
7,429,023	B2	*	9/2008	Morrow	248/300
D595,115	S	*	6/2009	Royer	D8/354
D599,190	S	*	9/2009	Huang	D8/354
D599,643	S	*	9/2009	Dinh	D8/354
D612,224	S	*	3/2010	Wendt	D8/354
D612,226	S	*	3/2010	Dinh	D8/356
D619,879	S	*	7/2010	McCarthy et al.	D8/354
D628,460	S	*	12/2010	Seitz	D8/354
D631,735	S	*	2/2011	Johnson	D8/380
D637,897	S	*	5/2011	Tedesco et al.	D8/394
D646,955	S	*	10/2011	Sanders et al.	D8/354
D649,016	S	*	11/2011	Rasmussen	D8/354
D654,350	S	*	2/2012	Preda	D8/354
D660,132	S	*	5/2012	Yoder et al.	D8/354
D660,134	S	*	5/2012	Yoder et al.	D8/354
2002/0112439	A1	*	8/2002	Rosas	52/712
2003/0223807	A1	*	12/2003	Lanphier	403/167

* cited by examiner

Primary Examiner — Mark Goodwin

(56) **References Cited**

U.S. PATENT DOCUMENTS

1,848,085	A	*	3/1932	Eisenschmidt	403/187
3,216,160	A	*	11/1965	Best	52/189
3,389,515	A	*	6/1968	Hellebrand	52/94
D244,748	S	*	6/1977	Canterbury	D8/380
D256,663	S	*	9/1980	Gilb	D8/354
D364,794	S	*	12/1995	Eberschlag	D8/354
D378,986	S	*	4/1997	Darula	D8/354
D383,374	S	*	9/1997	Sammann	D8/354
D387,970	S	*	12/1997	Enslin	D8/349
D391,915	S	*	3/1998	Miller	D12/223
D422,886	S	*	4/2000	Shea	D8/354
D434,639	S	*	12/2000	Willett	D8/354
D472,791	S	*	4/2003	Callahan et al.	D8/349
D472,792	S	*	4/2003	Callahan et al.	D8/349
D487,867	S	*	3/2004	Balaban	D8/354
D492,889	S	*	7/2004	Craine	D8/354
D500,667	S	*	1/2005	Murphy et al.	D8/354
D511,086	S	*	11/2005	Craine	D8/354
D523,735	S	*	6/2006	Craine	D8/354
D543,834	S	*	6/2007	Worthy	D8/354
D552,947	S	*	10/2007	Ewasiuk	D8/5
D558,039	S	*	12/2007	Skinner et al.	D8/382

(57) **CLAIM**

The ornamental design for the bracket for doorframe, as shown and described.

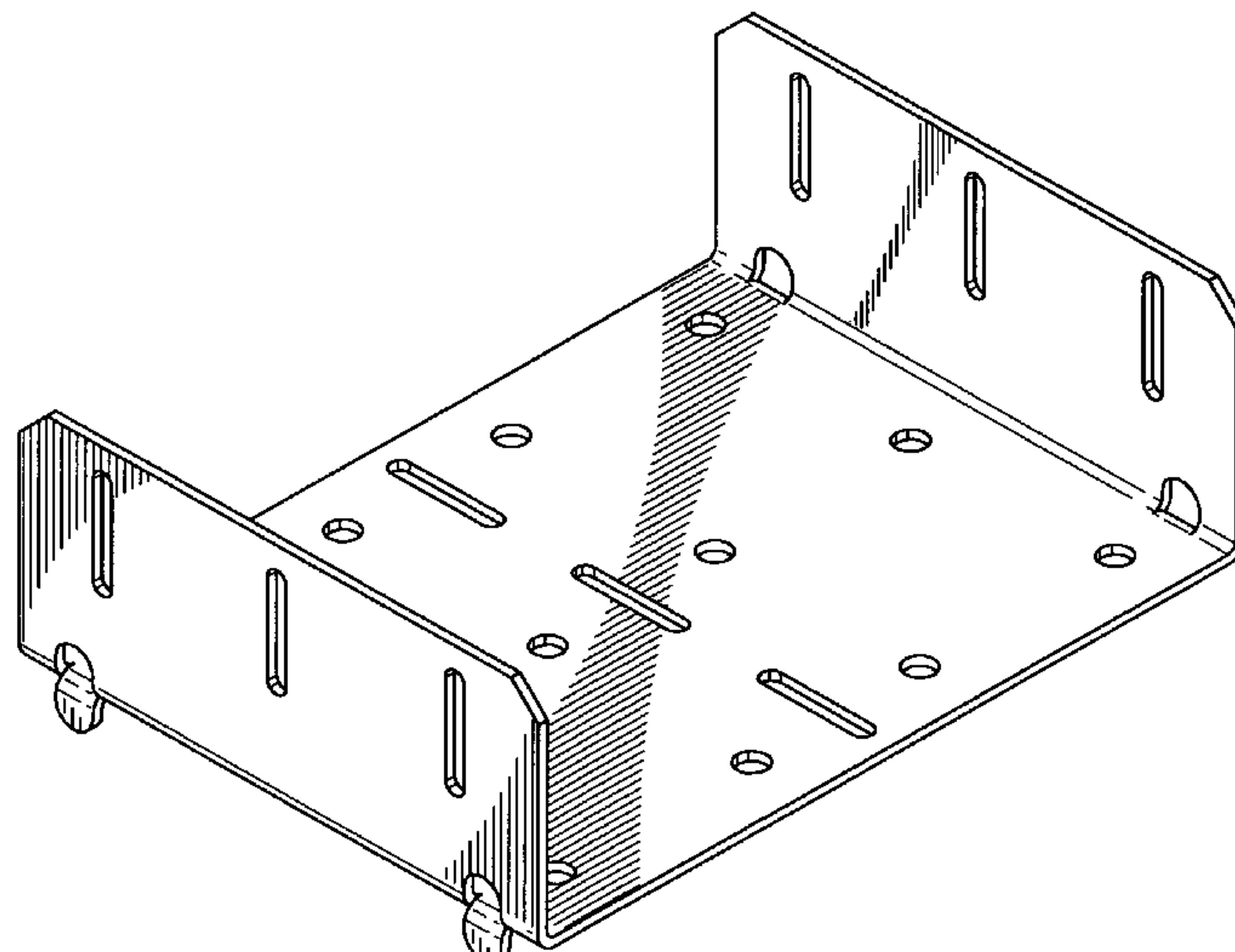
DESCRIPTION

FIG. 1. Is a top perspective view of a bracket for door frame showing my new design;
 FIG. 2. Is a top view thereof;
 FIG. 3. Is a backside view thereof;
 FIG. 4. Is a front view thereof;
 FIG. 5. Is a lateral side view thereof; and,
 FIG. 6. Is a perspective view of a door frame with the brackets attached.

The broken lines disclose unclaimed environmental subject matter of the design in use.

The following article can be used to attach a wood door frame firmly and securely in place, in the space designated, without using shims.

1 Claim, 4 Drawing Sheets



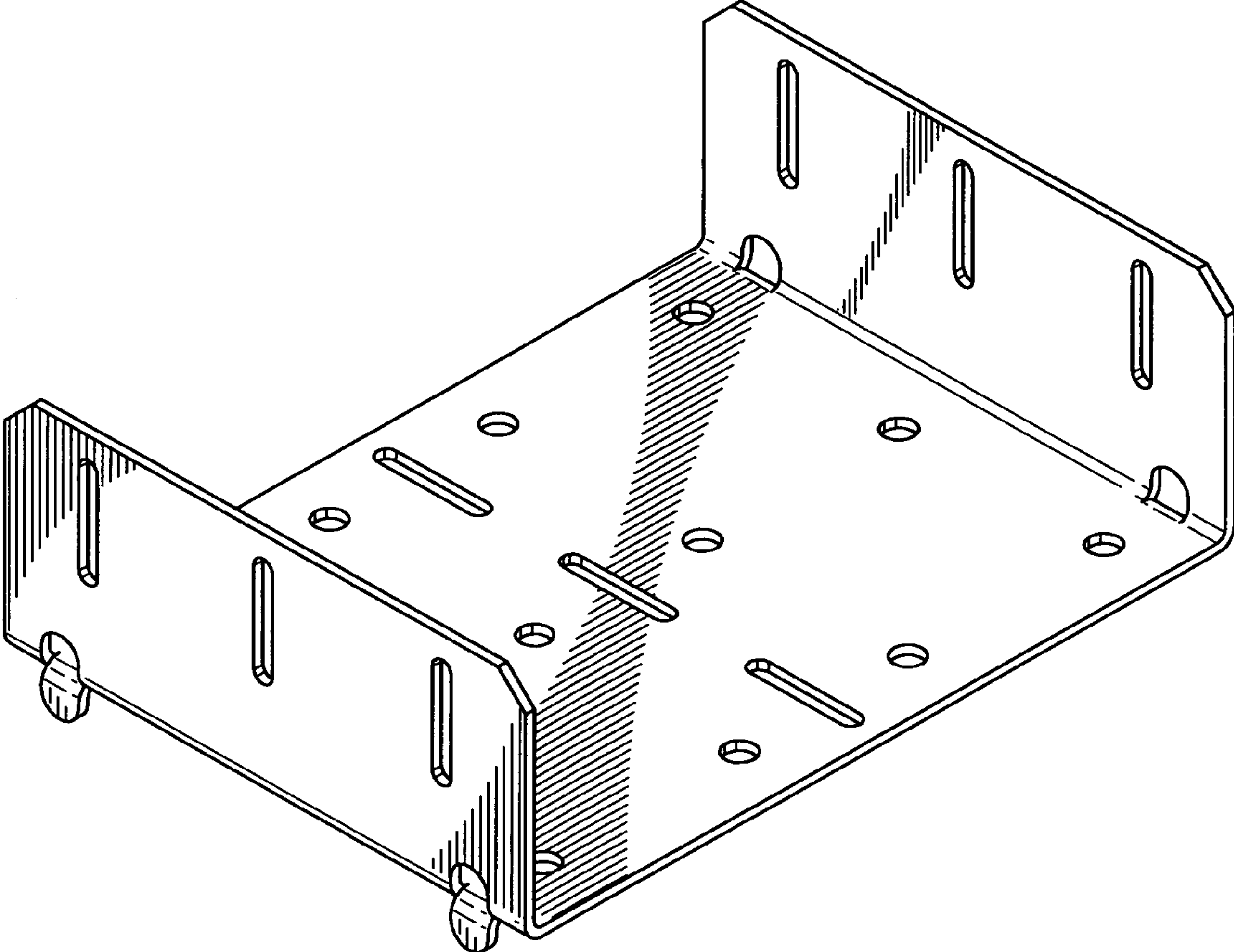


FIG. 1

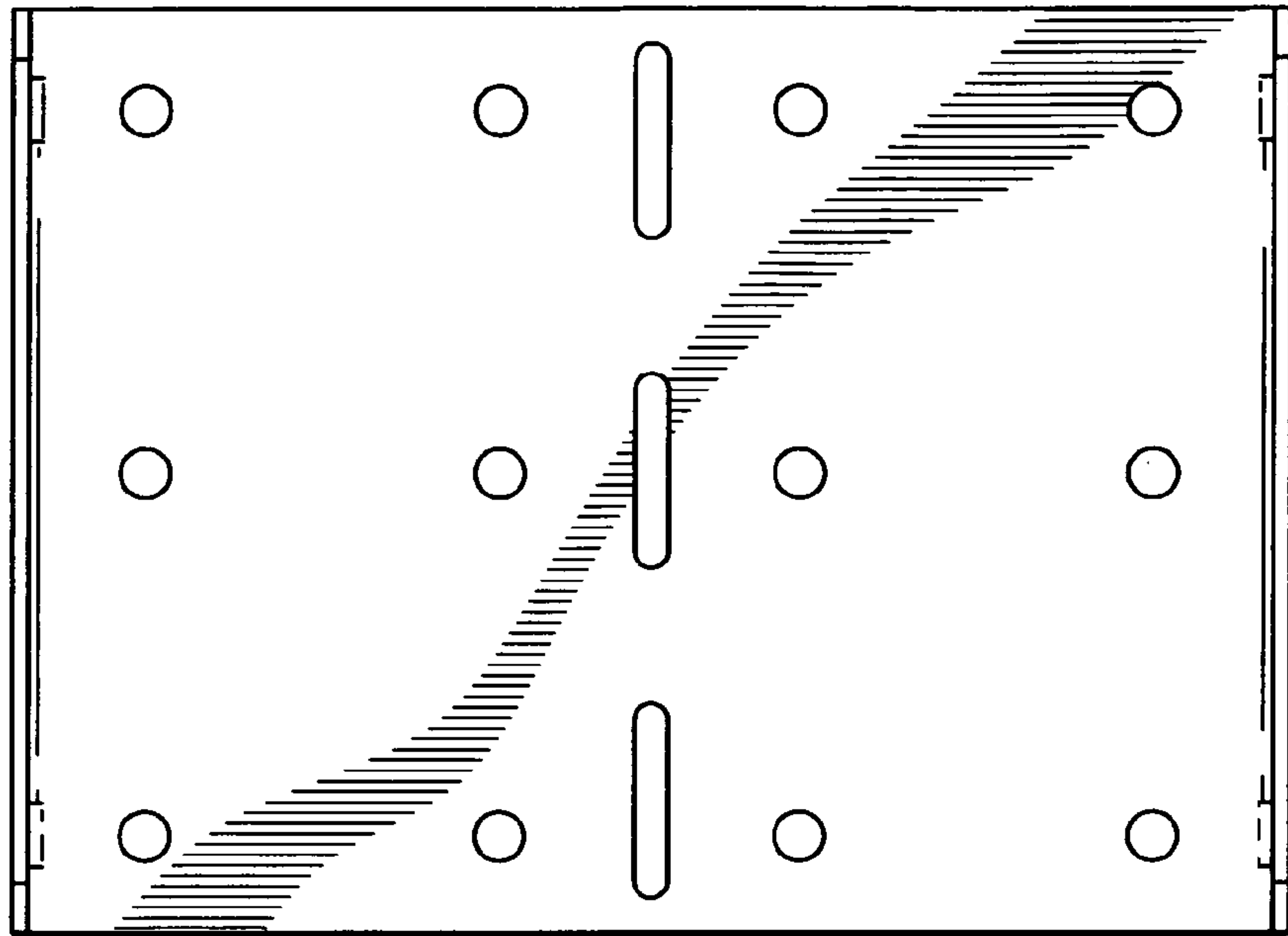


FIG. 2

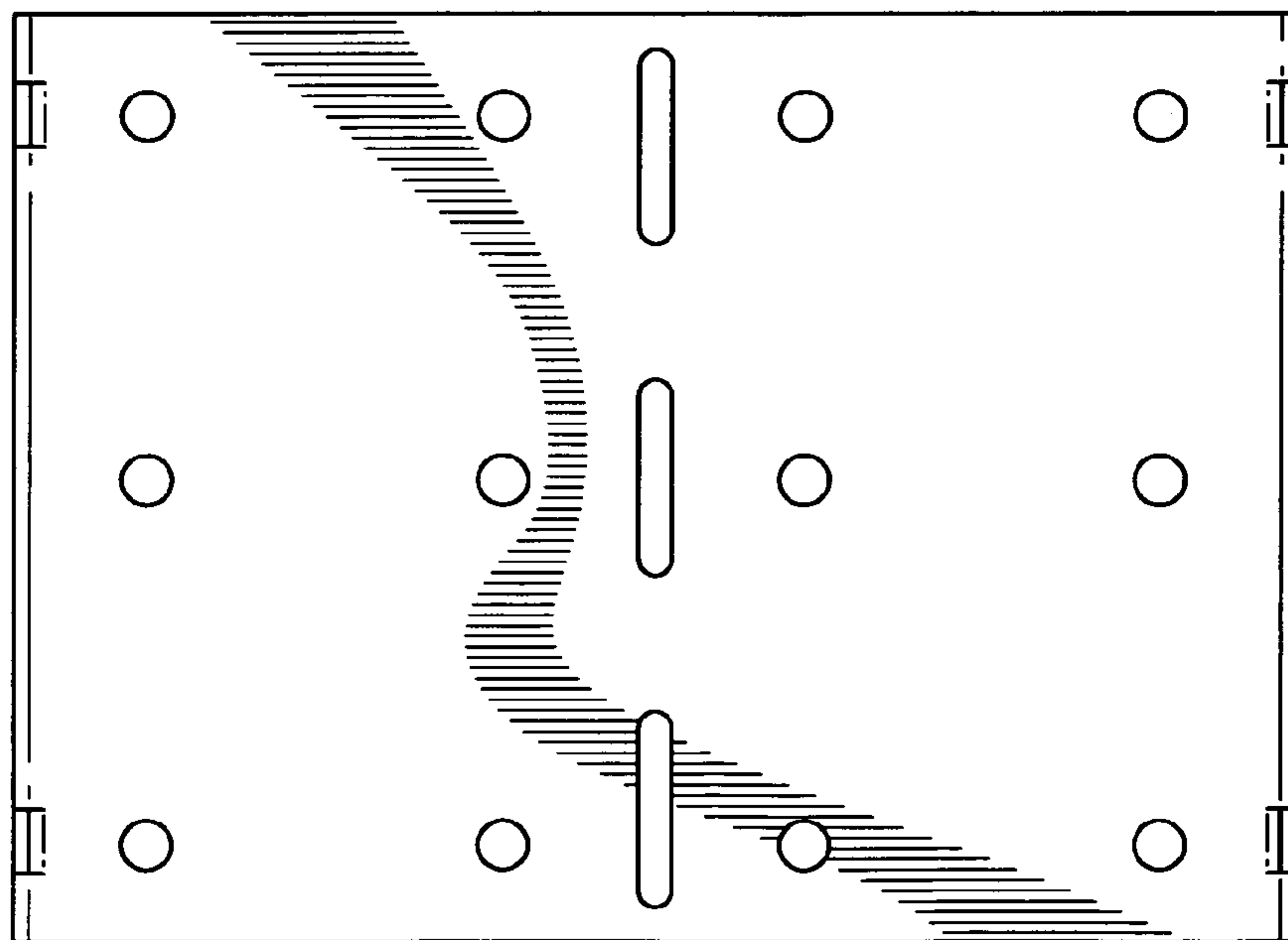


FIG. 3



FIG. 4

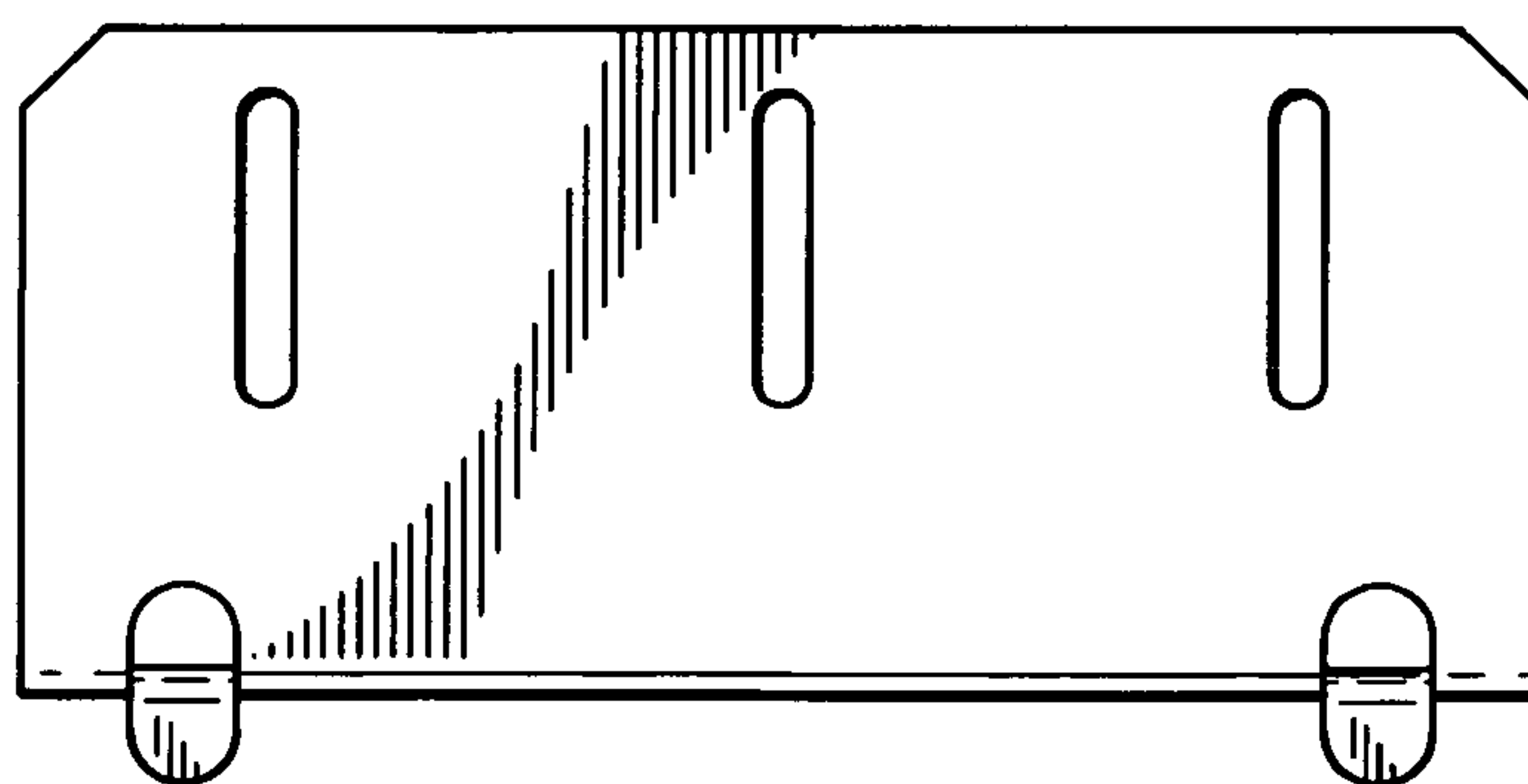


FIG. 5

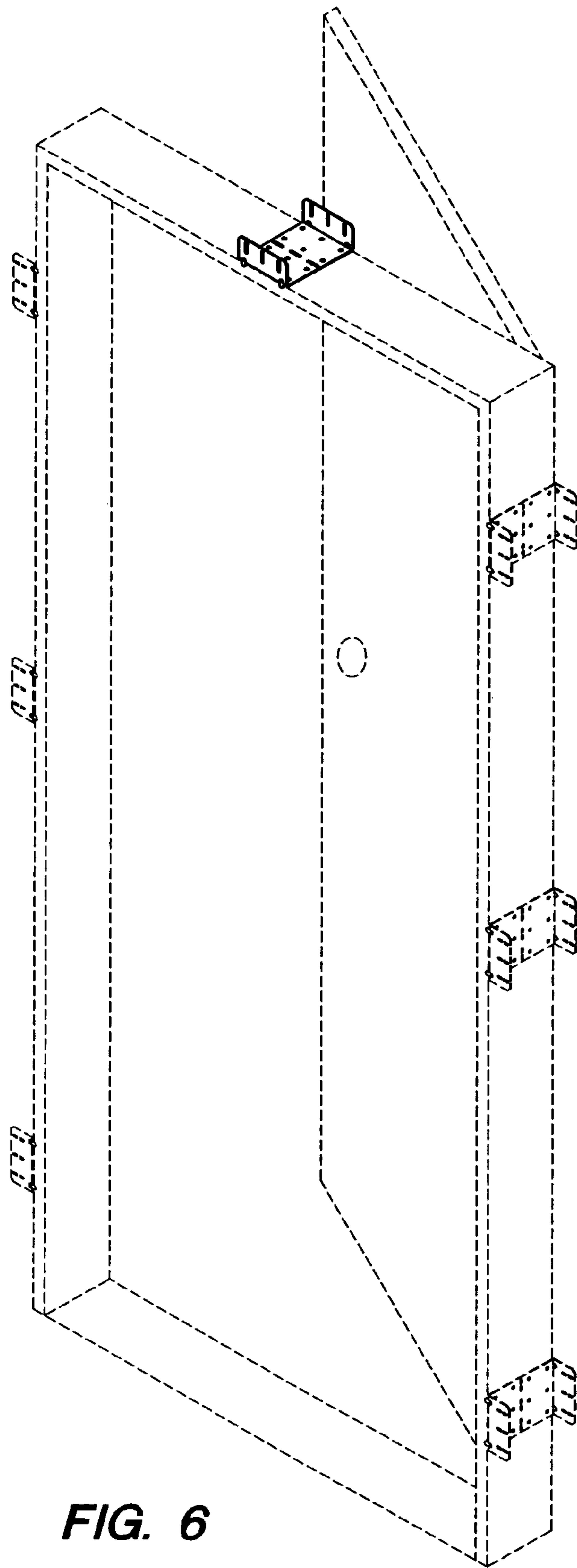


FIG. 6