



US00D667713S

(12) **United States Design Patent**
Inskeep

(10) **Patent No.:** **US D667,713 S**

(45) **Date of Patent:** **** Sep. 25, 2012**

(54) **EXTENDABLE AUTOMATIC TIRE WRENCH**

(76) Inventor: **Mathew Inskeep**, Boca Raton, FL (US)

(**) Term: **14 Years**

(21) Appl. No.: **29/415,212**

(22) Filed: **Mar. 8, 2012**

(51) **LOC (9) Cl.** **08-01**

(52) **U.S. Cl.** **D8/61**

(58) **Field of Classification Search** D8/61,
D8/62, 67, 69; 81/57, 57.11, 57.14, 57.26,
81/429, 464, 469; 173/2, 170, 176, 181
See application file for complete search history.

(56) **References Cited**

U.S. PATENT DOCUMENTS

7,073,545	B2 *	7/2006	Smith et al.	141/285
7,331,221	B2 *	2/2008	Wise et al.	73/146.3
D624,380	S *	9/2010	Rane et al.	D8/61
D639,629	S *	6/2011	Torigai et al.	D8/61
D659,499	S *	5/2012	Okuda et al.	D8/61

D663,181	S *	7/2012	Zhou et al.	D8/61
2011/0108298	A1 *	5/2011	Zhou	173/122
2012/0006879	A1 *	1/2012	Zhou	227/147

* cited by examiner

Primary Examiner — Austin Murphy

(57) **CLAIM**

I claim the ornamental design for an extendable automatic tire wrench, as shown and described.

DESCRIPTION

FIG. 1 is a top perspective view of the extendable automatic tire wrench showing my new design.

FIG. 2 is a bottom perspective view.

FIG. 3 is a top perspective view of the automatic tire wrench with the handle extended.

FIG. 4 is a bottom perspective view with the handle extended.

FIG. 5 is a right side view thereof.

FIG. 6 is a left side view thereof.

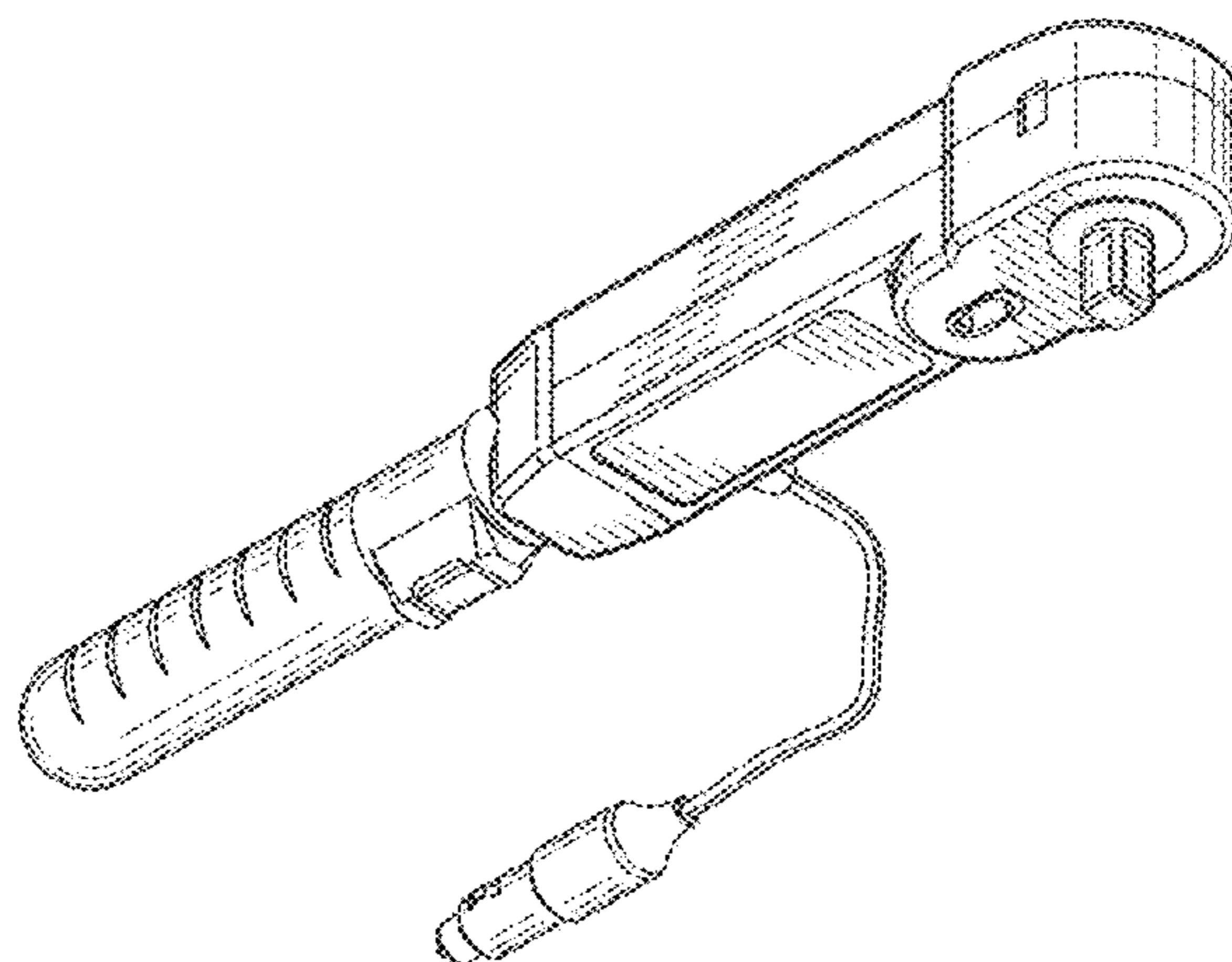
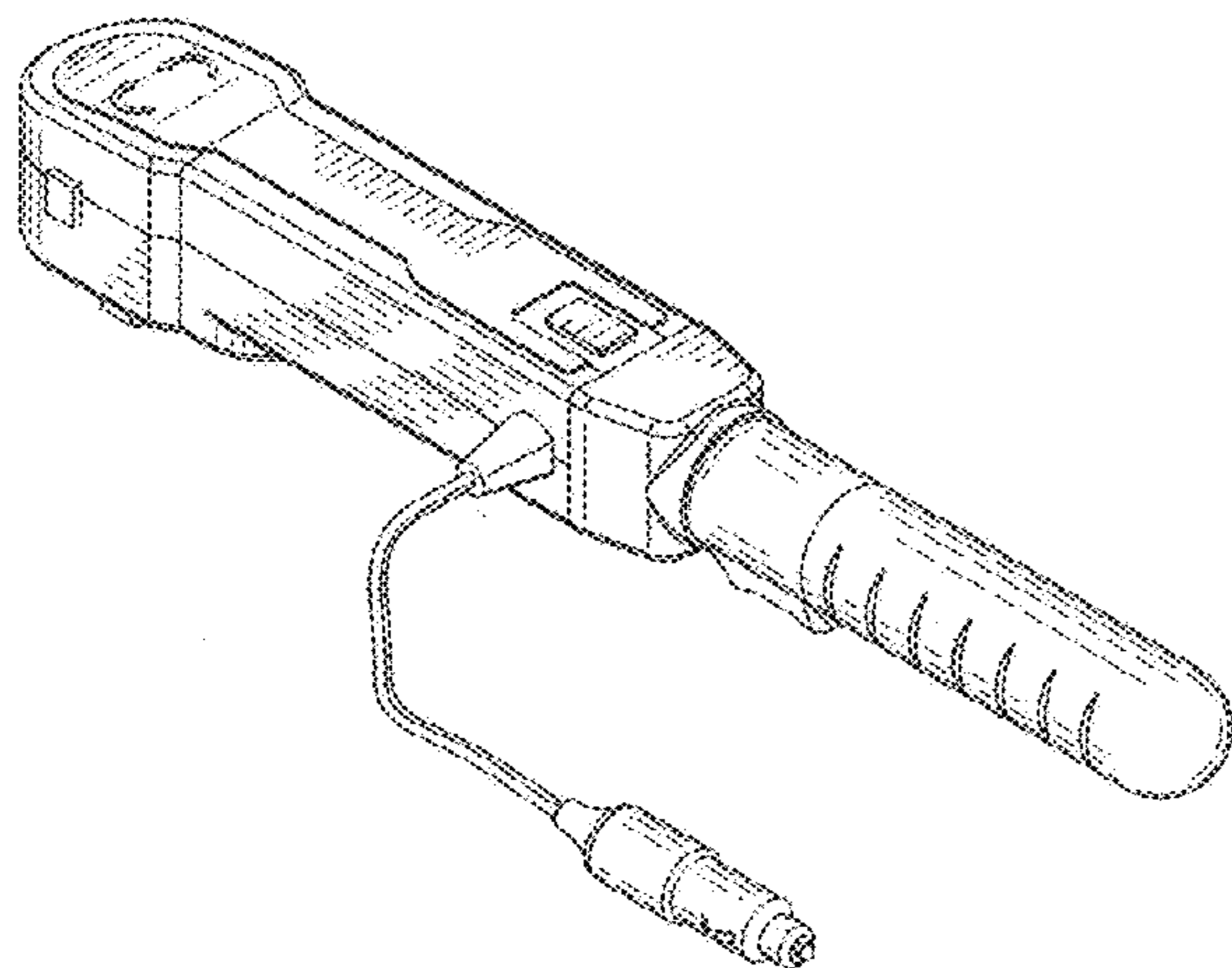
FIG. 7 is a top view thereof.

FIG. 8 is a bottom view thereof.

FIG. 9 is a back view thereof; and,

FIG. 10 is a front view thereof.

1 Claim, 7 Drawing Sheets



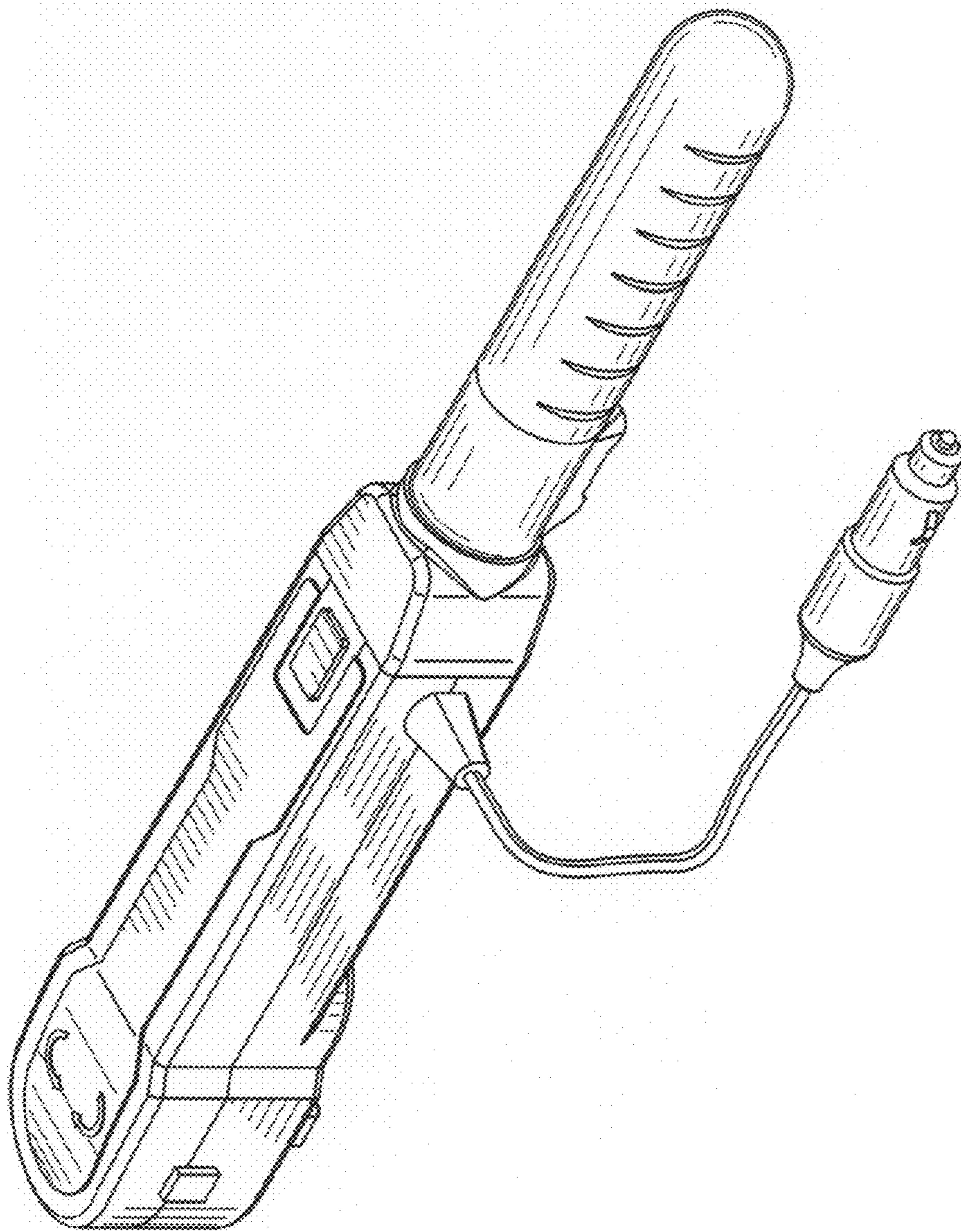


FIG. 1

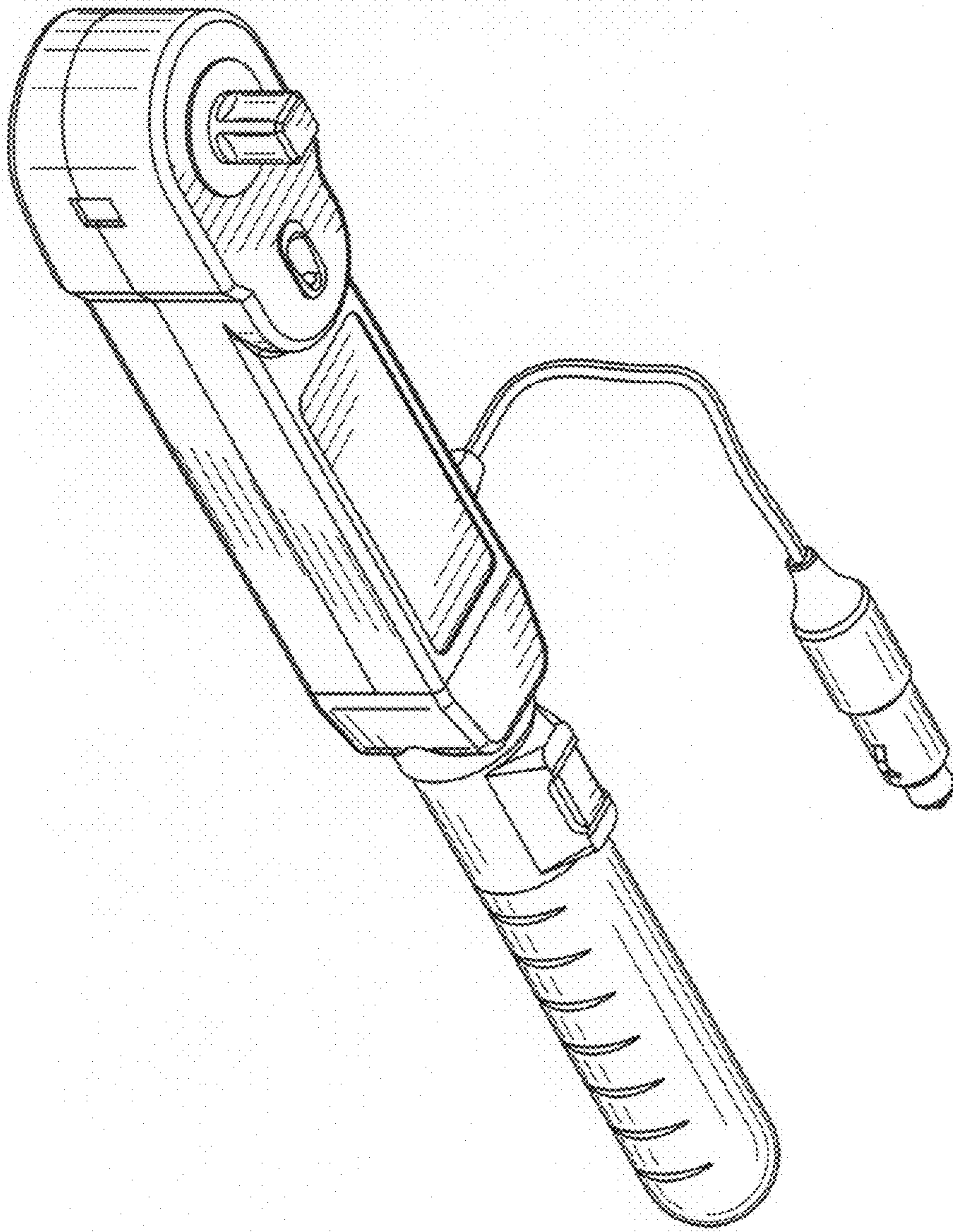


FIG. 2

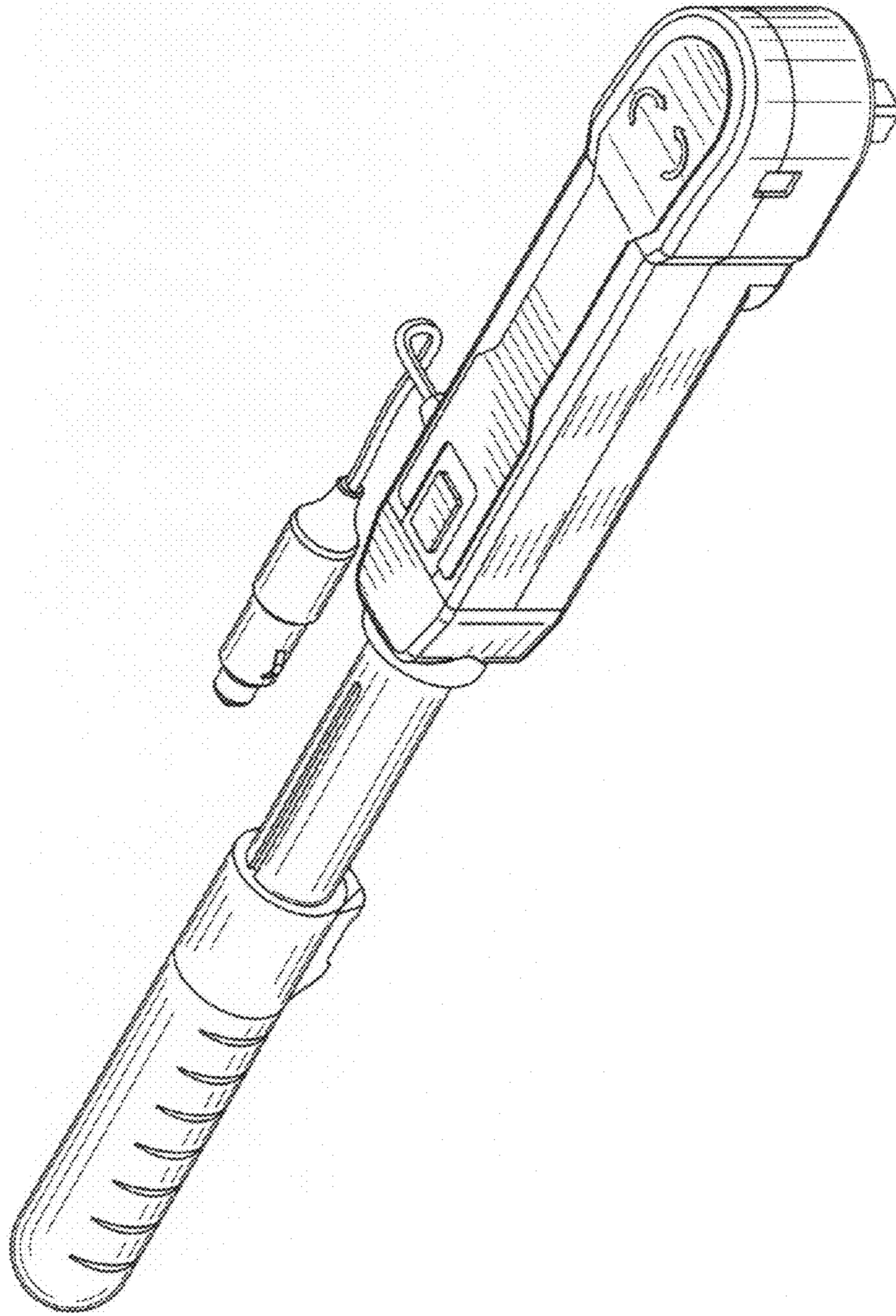


FIG. 3

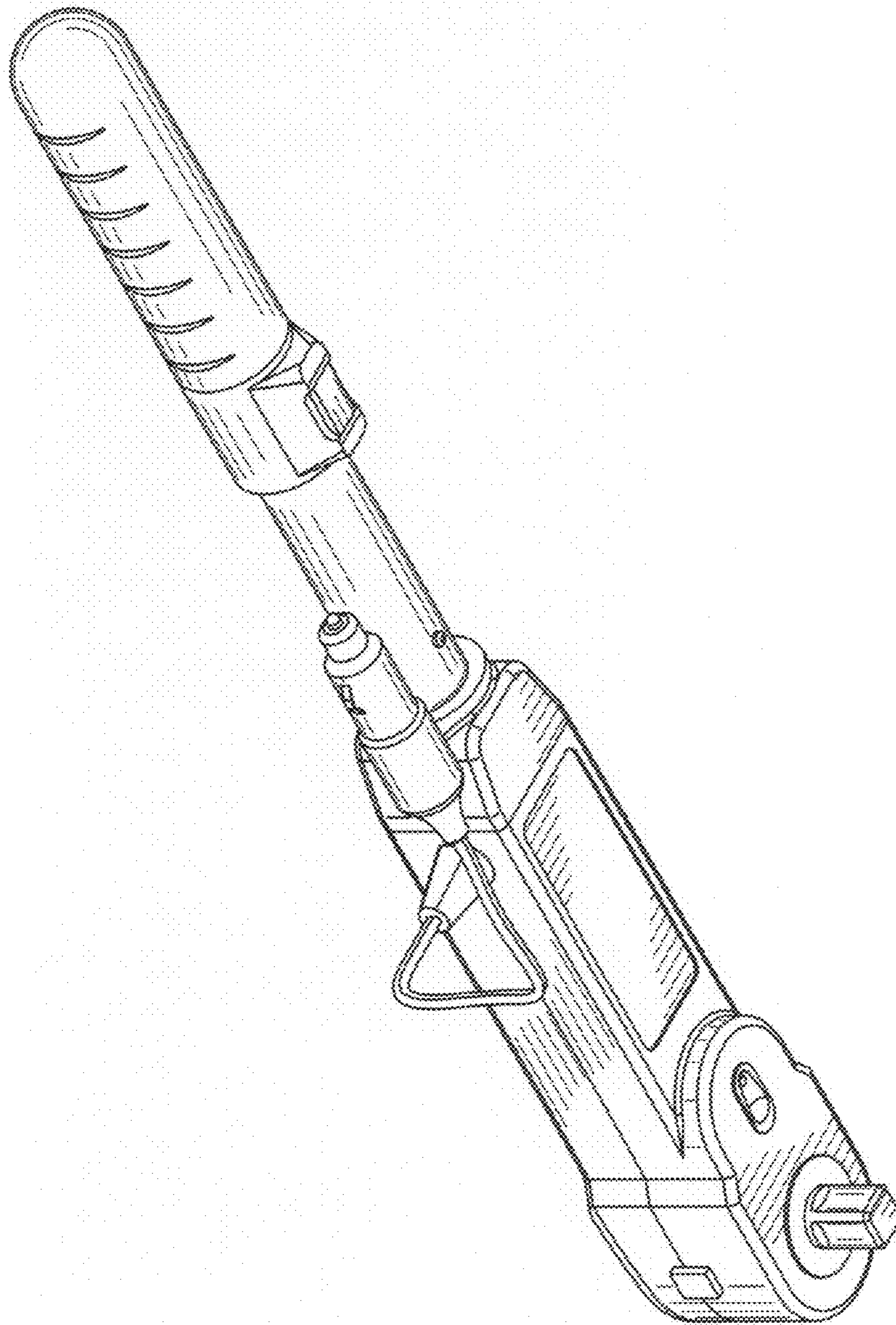


FIG. 4

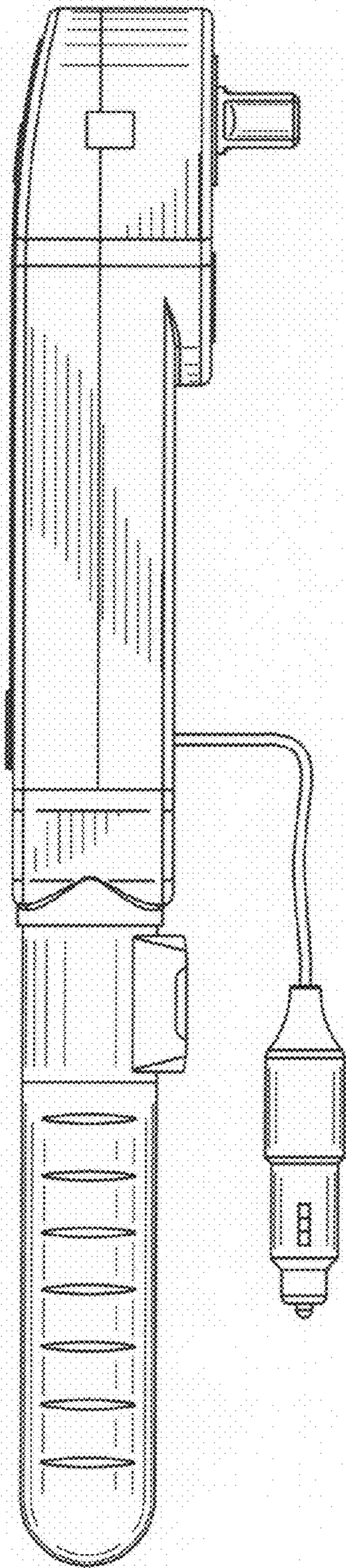


FIG. 5

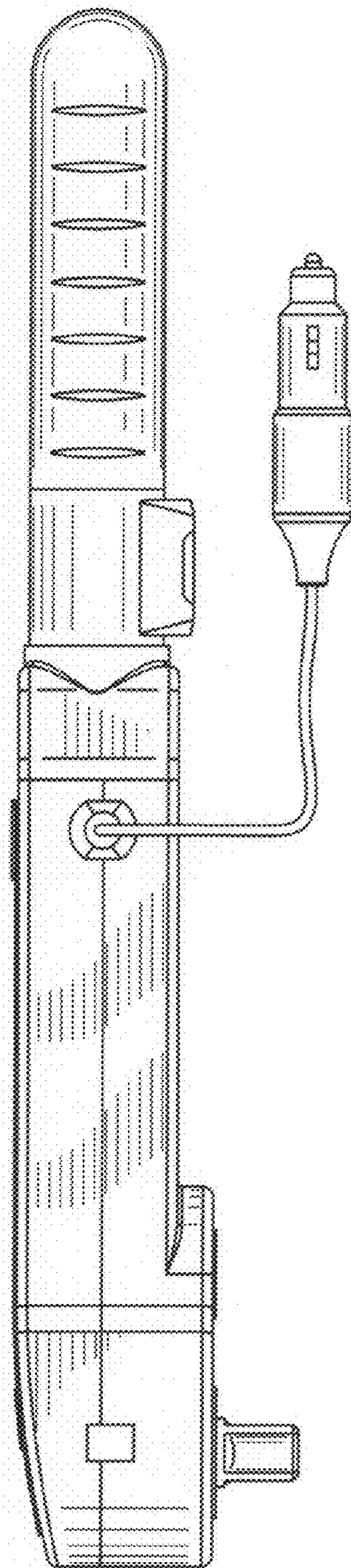


FIG. 6

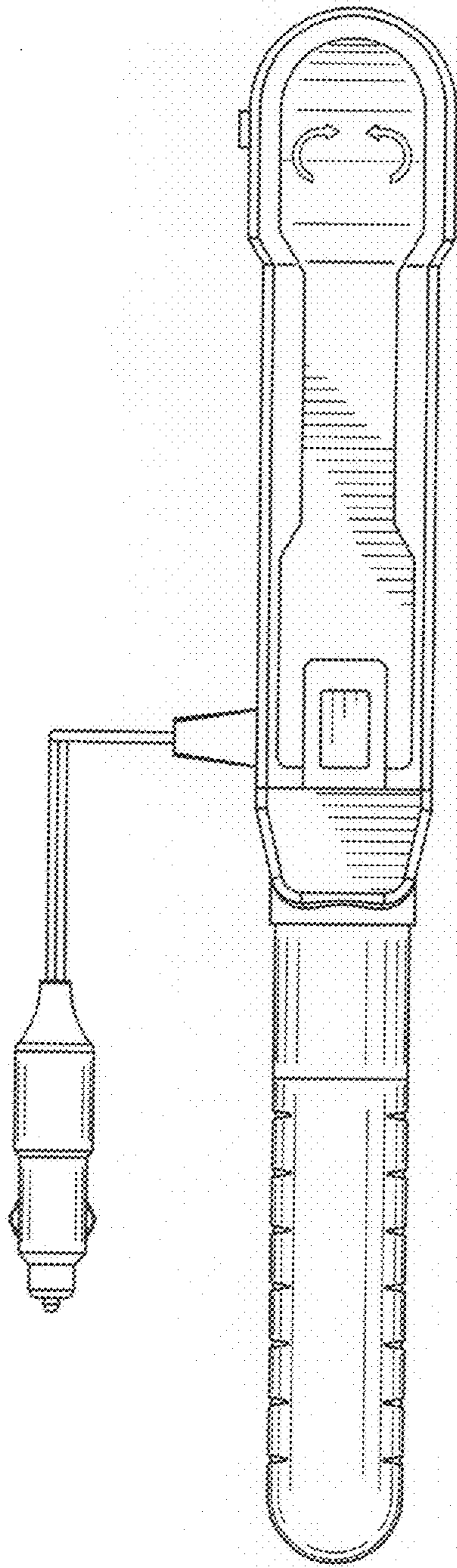


FIG. 7

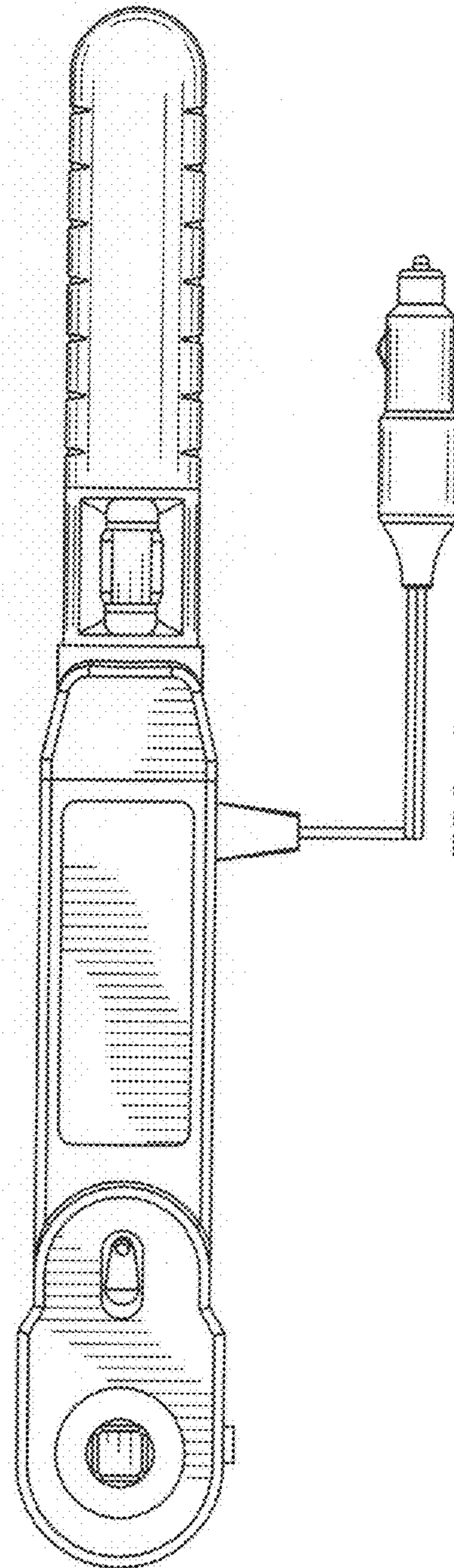


FIG. 8

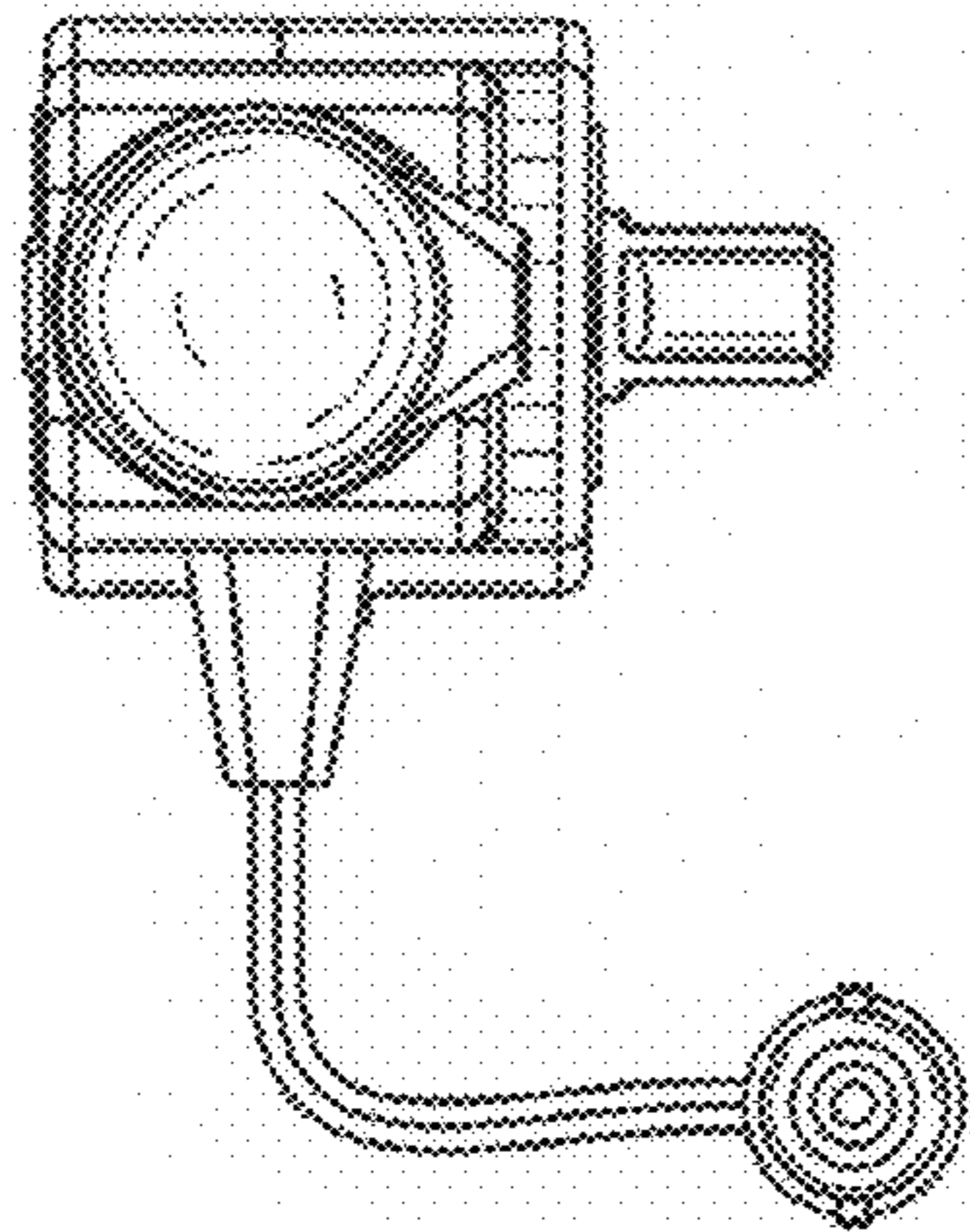


FIG. 9

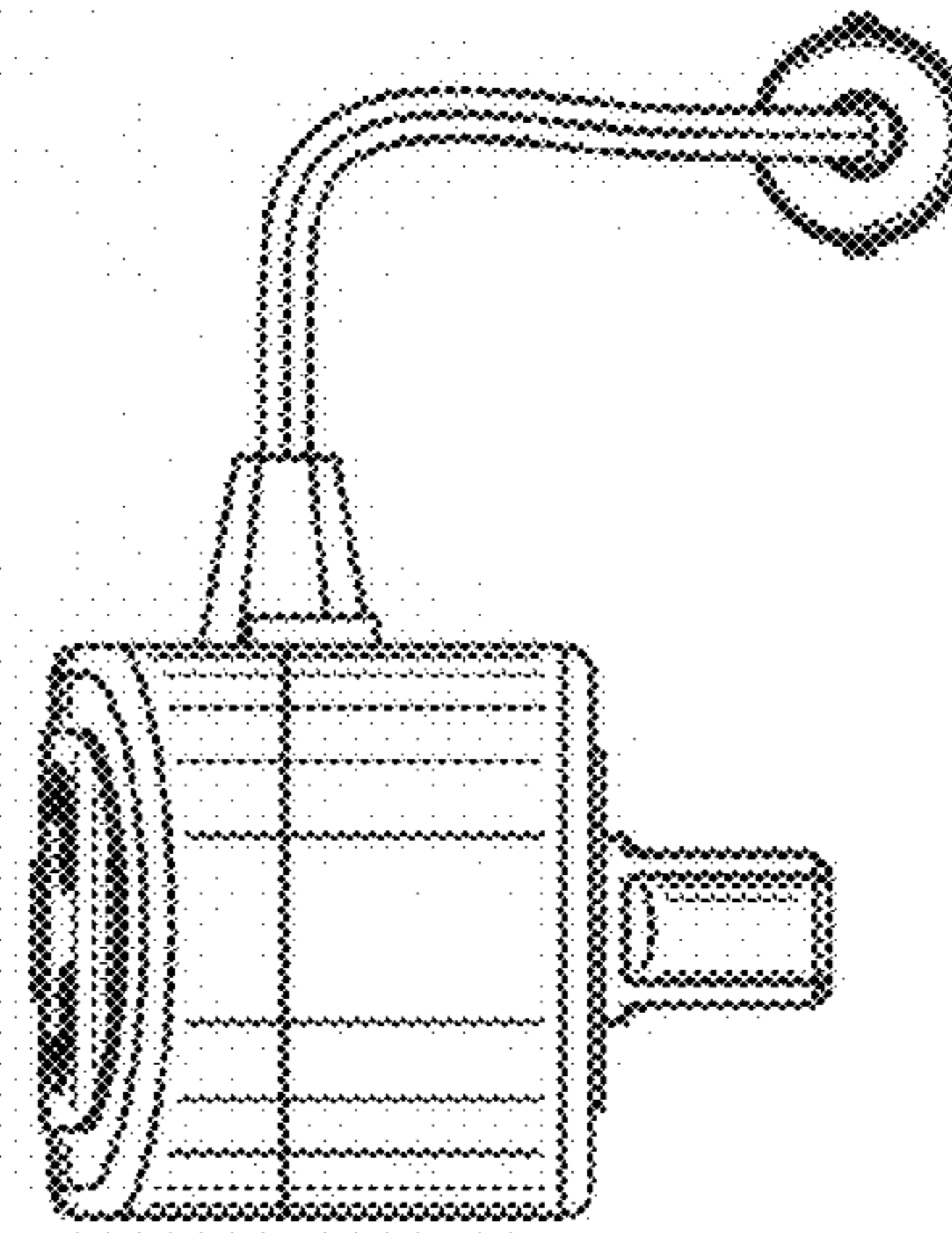


FIG. 10