



US00D667712S

(12) **United States Design Patent**  
**Walters**

(10) **Patent No.:** **US D667,712 S**

(45) **Date of Patent:** **\*\* Sep. 25, 2012**

(54) **FASTENING TOOL**

(75) **Inventor:** **Kyle Walters**, Chicago, IL (US)

(73) **Assignee:** **Arrow Fastener Co., LLC**, Saddle Brook, NJ (US)

(\*\*) **Term:** **14 Years**

(21) **Appl. No.:** **29/414,694**

(22) **Filed:** **Mar. 2, 2012**

(51) **LOC (9) Cl.** ..... **19-02**

(52) **U.S. Cl.** ..... **D8/49**

(58) **Field of Classification Search** ..... D8/49,  
D8/50, 61, 68, 69, 70; D19/72, 73, 65, 69;  
D21/532; D24/145; 7/158, 160; 227/4,  
227/5, 6, 7, 8, 120, 127, 128, 131, 132, 134,  
227/144, 156, 175.1; 606/139, 143, 153,  
606/219

See application file for complete search history.

(56) **References Cited**

**U.S. PATENT DOCUMENTS**

|           |     |         |                 |         |
|-----------|-----|---------|-----------------|---------|
| 5,407,118 | A   | 4/1995  | Marks           |         |
| D360,566  | S * | 7/1995  | Marks et al.    | D8/49   |
| 5,497,932 | A   | 3/1996  | Brewer et al.   |         |
| 5,511,716 | A   | 4/1996  | Marks           |         |
| 5,622,258 | A   | 4/1997  | Baublitz et al. |         |
| D384,257  | S * | 9/1997  | Marks et al.    | D8/49   |
| D384,258  | S * | 9/1997  | Marks et al.    | D8/49   |
| 5,664,722 | A   | 9/1997  | Marks           |         |
| 5,699,949 | A * | 12/1997 | Marks           | 227/132 |
| 5,735,444 | A   | 4/1998  | Wingert         |         |
| 5,765,742 | A   | 6/1998  | Marks           |         |
| 5,816,470 | A   | 10/1998 | Plato et al.    |         |
| 5,884,829 | A   | 3/1999  | Wingert         |         |
| D411,422  | S * | 6/1999  | Juhlin et al.   | D8/49   |
| 5,988,478 | A * | 11/1999 | Marks           | 227/132 |
| D432,883  | S   | 10/2000 | Wingert         |         |
| 6,131,788 | A * | 10/2000 | Marks           | 227/132 |
| 6,145,728 | A * | 11/2000 | Marks           | 227/132 |
| 6,173,877 | B1  | 1/2001  | Wingert         |         |

|           |    |         |                 |
|-----------|----|---------|-----------------|
| 6,355,892 | B1 | 3/2002  | Marks           |
| 6,789,719 | B2 | 9/2004  | Shor            |
| 7,097,088 | B2 | 8/2006  | Shor            |
| D552,951  | S  | 10/2007 | Shor            |
| D553,459  | S  | 10/2007 | Shor            |
| D553,460  | S  | 10/2007 | Shor            |
| D560,987  | S  | 2/2008  | Krushlin et al. |
| D561,550  | S  | 2/2008  | Krushlin et al. |
| 7,344,026 | B2 | 3/2008  | Melgaard        |
| D573,089  | S  | 7/2008  | Mandel et al.   |
| D574,205  | S  | 8/2008  | Krushlin et al. |
| D576,545  | S  | 9/2008  | Mandel et al.   |
| D578,365  | S  | 10/2008 | Mandel et al.   |
| D580,246  | S  | 11/2008 | Mandel et al.   |
| 7,503,400 | B2 | 3/2009  | Llewellyn       |
| 7,506,789 | B2 | 3/2009  | Shor            |
| D600,085  | S  | 9/2009  | Mandel et al.   |
| D600,986  | S  | 9/2009  | Betsalel et al. |
| D604,576  | S  | 11/2009 | Betsalel et al. |
| 7,637,407 | B2 | 12/2009 | Shor            |

(Continued)

*Primary Examiner* — Austin Murphy

(74) *Attorney, Agent, or Firm* — Lora J. Graentzdoerffer; Nirav D. Parikh; Edgar A. Zarins

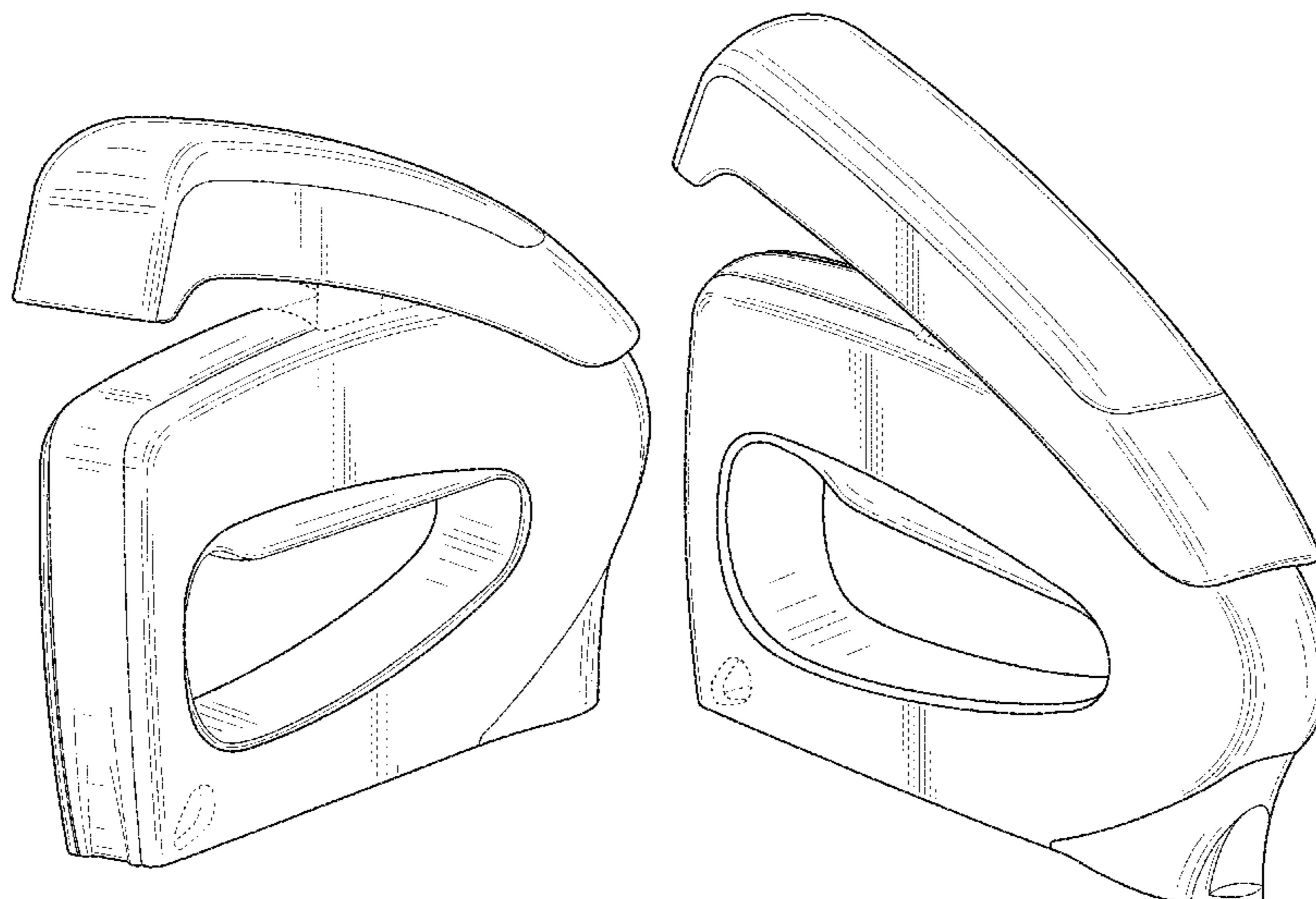
(57) **CLAIM**

The ornamental design for a fastening tool, as shown and described.

**DESCRIPTION**

FIG. 1 is a perspective view thereof;  
FIG. 2 is an alternative perspective view thereof;  
FIG. 3 is a right side elevational view thereof; the left side elevational view being a mirror image thereof;  
FIG. 4 is a front elevational view thereof;  
FIG. 5 is a rear elevational view thereof;  
FIG. 6 is a top plan view thereof; and,  
FIG. 7 is an enlarged perspective view of a portion of FIG. 1.  
The broken-line disclosure in the views represents portions of the article in which the claimed design is embodied, but which form no part of the claimed design.

**1 Claim, 7 Drawing Sheets**



# US D667,712 S

Page 2

---

## U.S. PATENT DOCUMENTS

|              |         |               |              |        |                     |       |
|--------------|---------|---------------|--------------|--------|---------------------|-------|
| 7,699,202 B2 | 4/2010  | Shor          | D630,073 S   | 1/2011 | Krumpe et al.       |       |
| D620,330 S   | 7/2010  | Krumpe et al. | D631,316 S   | 1/2011 | Krumpe et al.       |       |
| D620,331 S   | 7/2010  | Krumpe et al. | D631,317 S   | 1/2011 | Krumpe et al.       |       |
| 7,815,089 B2 | 10/2010 | Shor          | D631,318 S   | 1/2011 | Krumpe et al.       |       |
| D630,071 S   | 1/2011  | Krumpe et al. | D655,558 S   | 3/2012 | Pennington et al.   |       |
| D630,072 S   | 1/2011  | Krumpe et al. | D655,587 S * | 3/2012 | Walters et al. .... | D8/49 |

\* cited by examiner

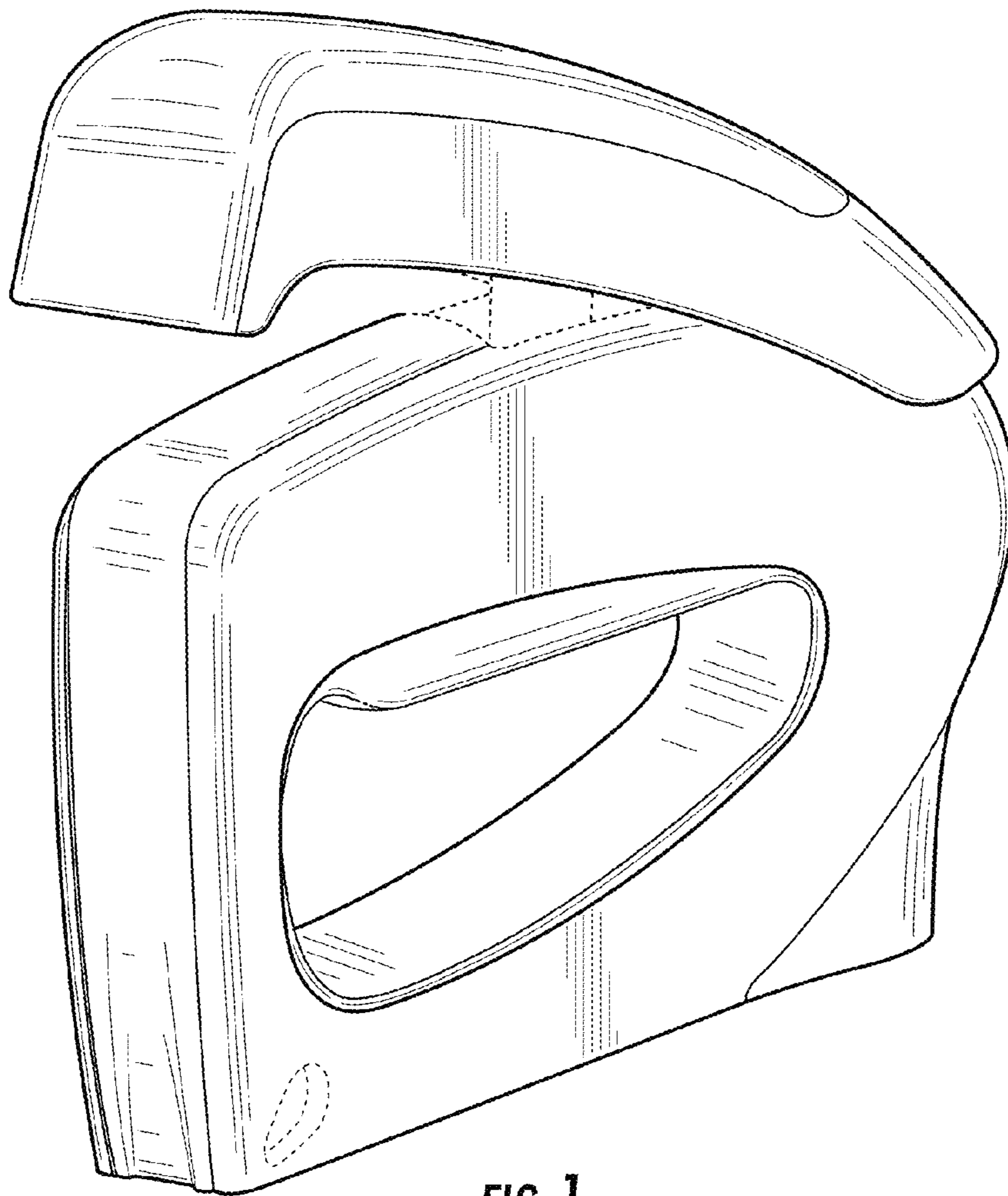


FIG. 1

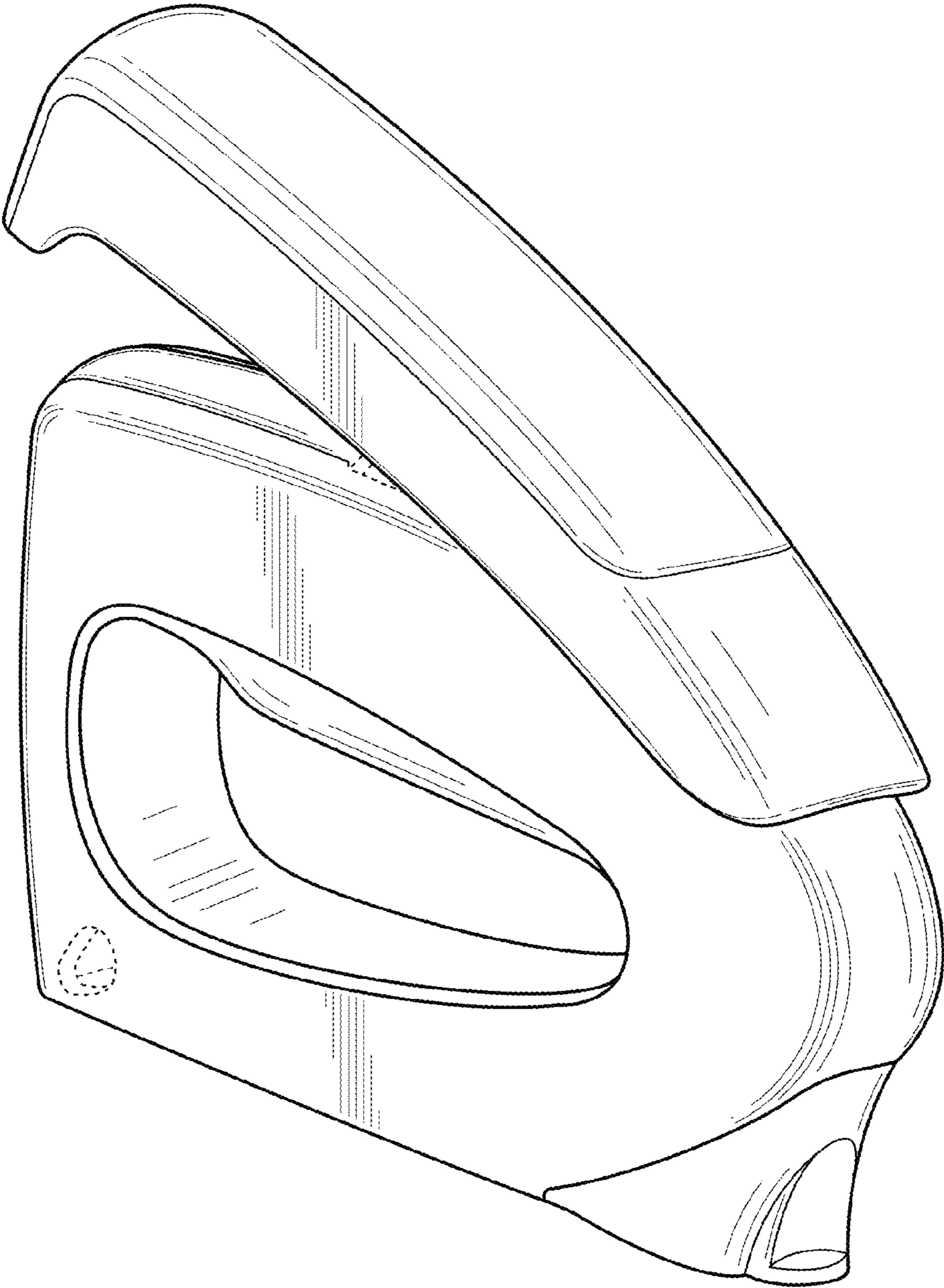


FIG. 2

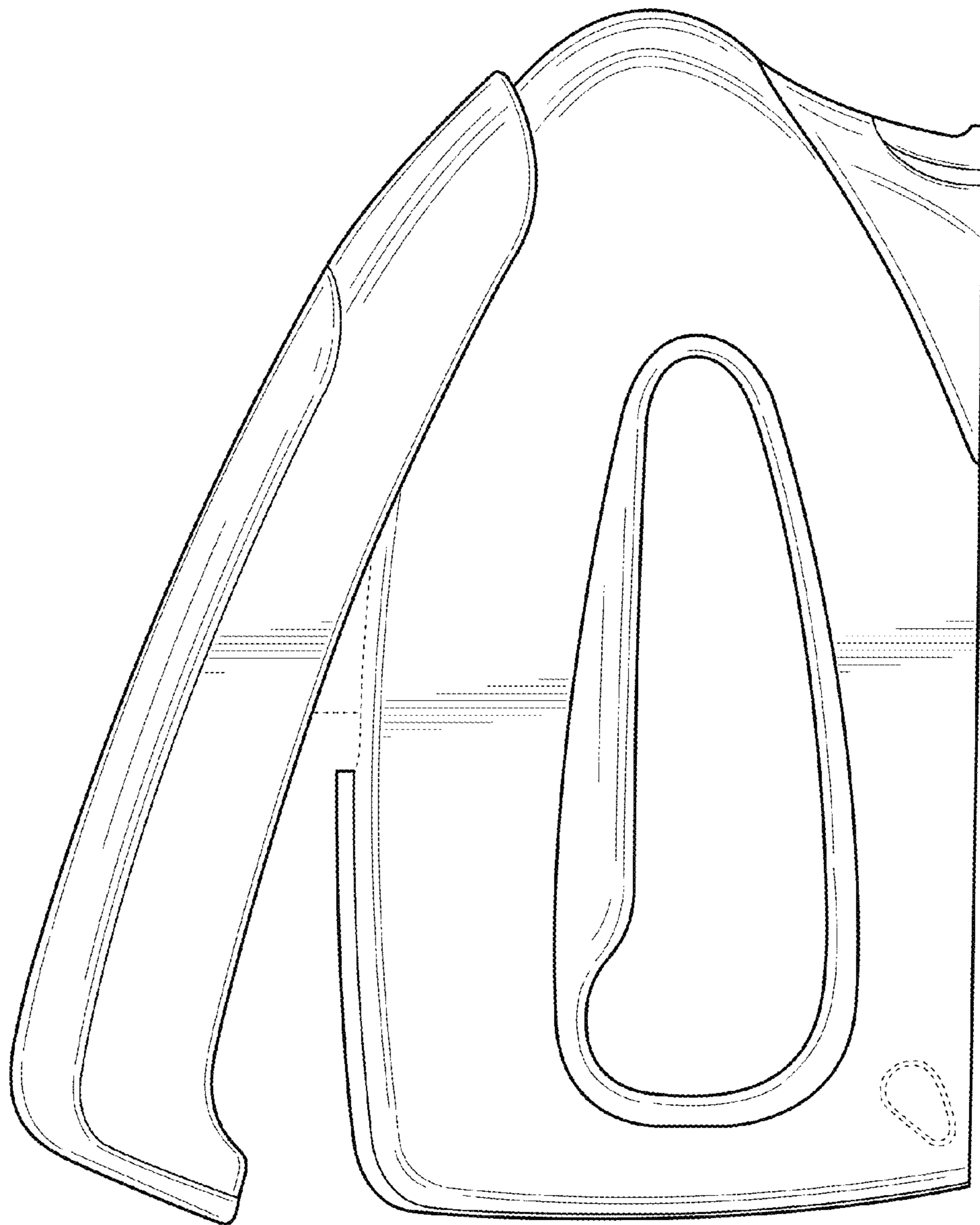
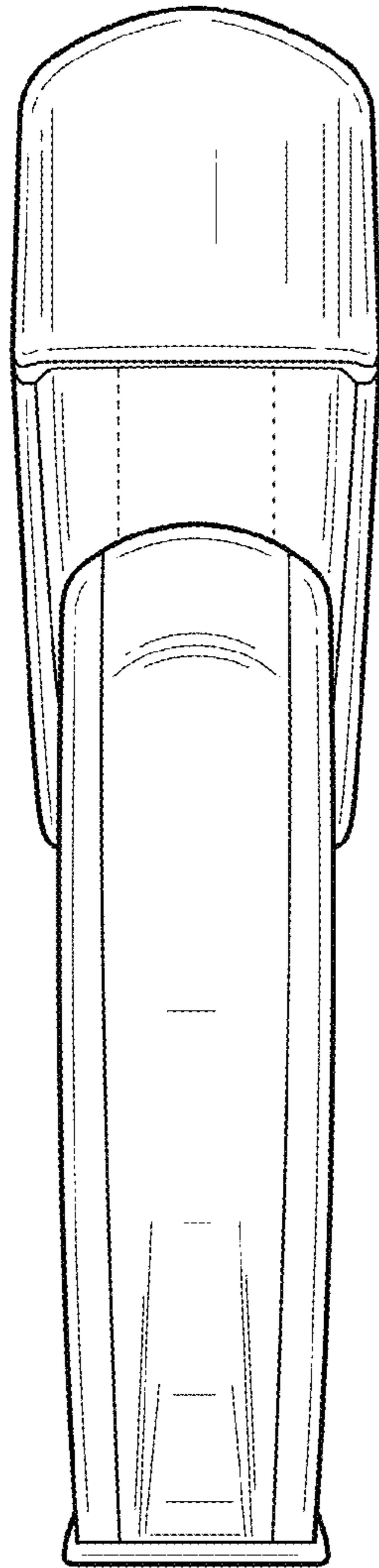
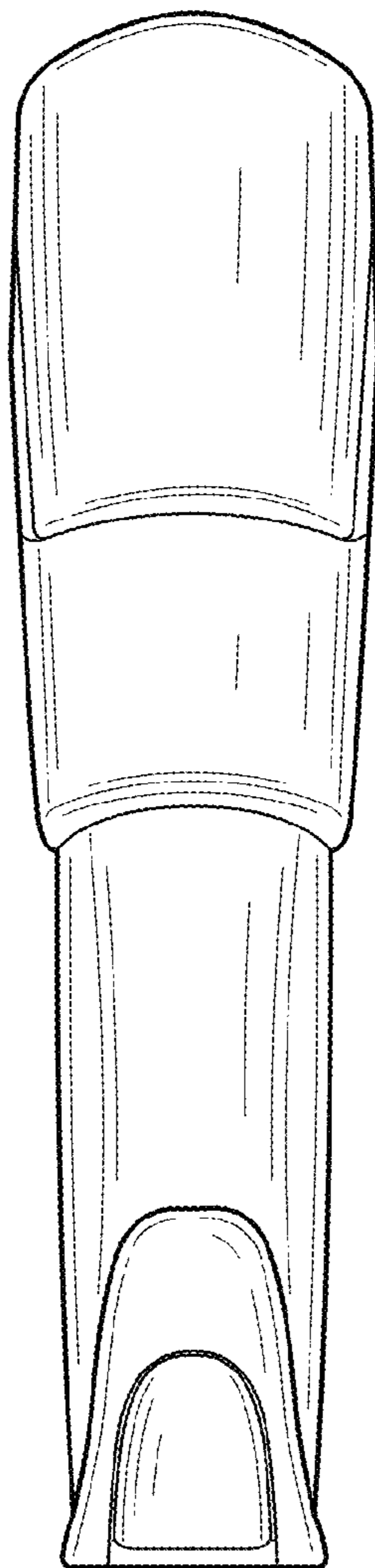


FIG. 3



**FIG. 4**



**FIG. 5**

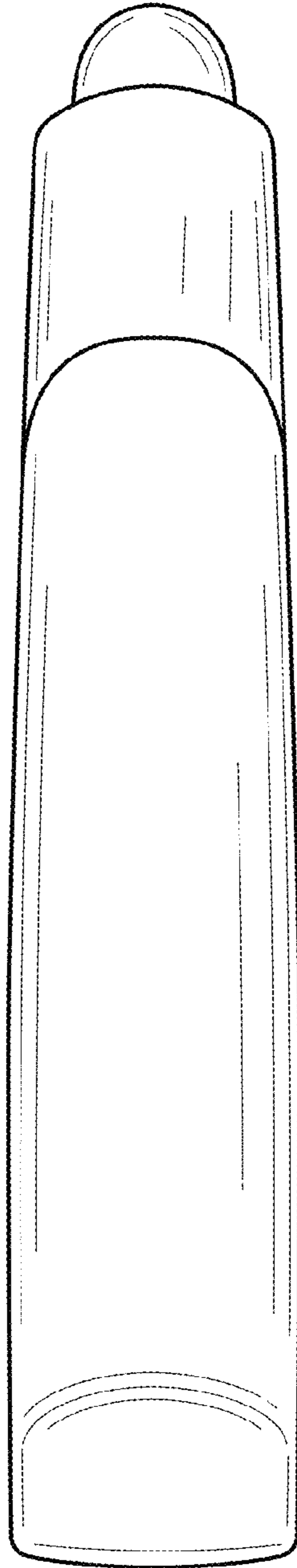


FIG. 6



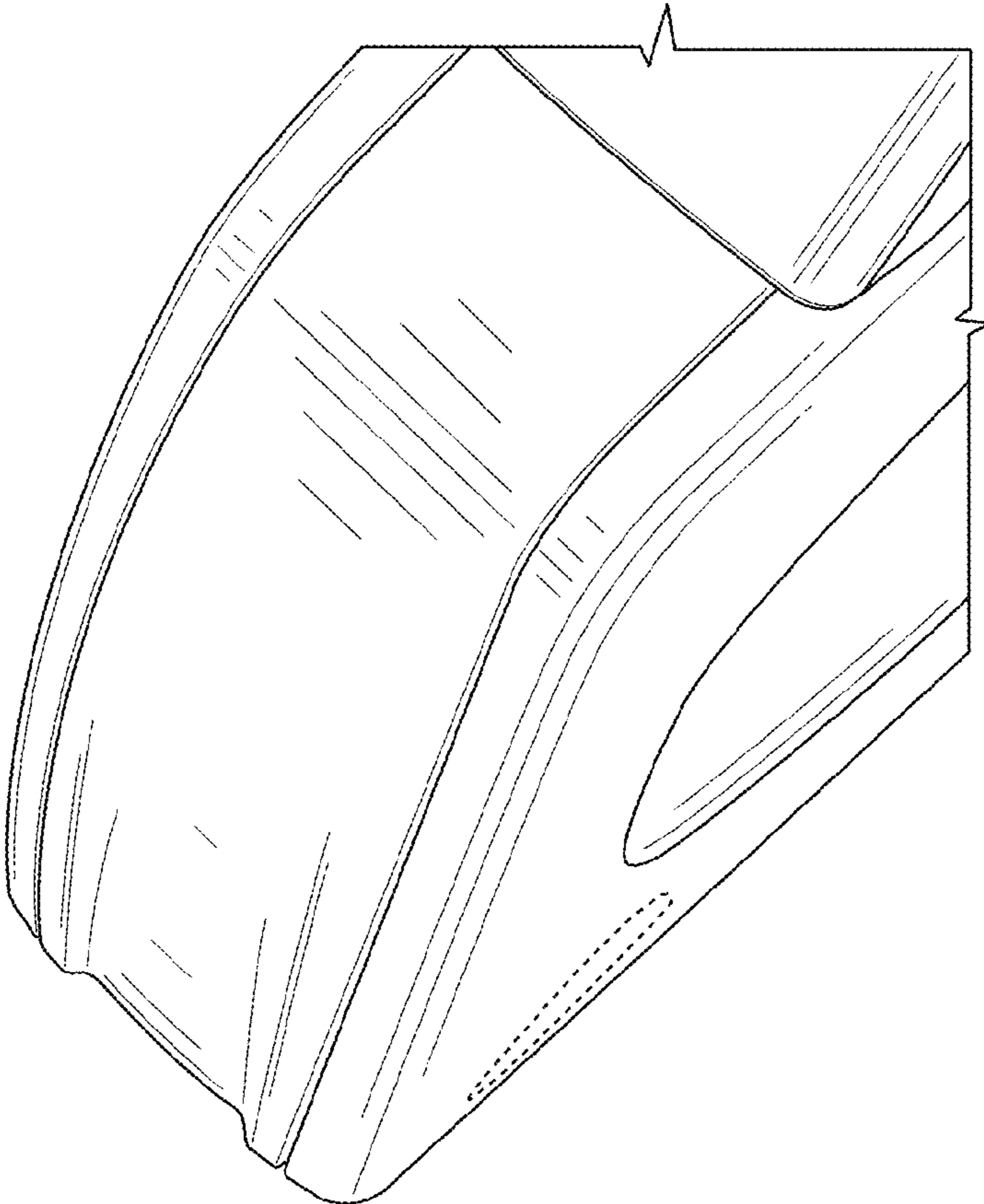


FIG. 7