



US00D667711S

(12) **United States Design Patent**
Walters

(10) **Patent No.:** **US D667,711 S**
(45) **Date of Patent:** **** Sep. 25, 2012**

- (54) **FASTENING TOOL**
 - (75) **Inventor:** **Kyle Walters**, Chicago, IL (US)
 - (73) **Assignee:** **Arrow Fastener Co., LLC**, Saddle Brook, NJ (US)
 - (**) **Term:** **14 Years**
 - (21) **Appl. No.:** **29/414,693**
 - (22) **Filed:** **Mar. 2, 2012**
 - (51) **LOC (9) Cl.** **19-02**
 - (52) **U.S. Cl.** **D8/49**
 - (58) **Field of Classification Search** D8/49,
D8/50, 61, 68, 69, 70; D19/72, 73, 65, 69;
D21/532; D24/145; 7/158, 160; 227/4,
227/5, 6, 7, 8, 120, 127, 128, 131, 132, 134,
227/144, 156, 175.1; 606/139, 143, 153,
606/219
- See application file for complete search history.

- 6,789,719 B2 9/2004 Shor
- 7,097,088 B2 8/2006 Shor
- D552,951 S 10/2007 Shor
- D553,459 S 10/2007 Shor
- D553,460 S 10/2007 Shor
- D560,987 S 2/2008 Krushlin et al.
- D561,550 S 2/2008 Krushlin et al.
- 7,344,026 B2 3/2008 Melgaard
- D573,089 S 7/2008 Mandel et al.
- D574,205 S 8/2008 Krushlin et al.
- D576,545 S 9/2008 Mandel et al.
- D578,365 S 10/2008 Mandel et al.
- D580,246 S 11/2008 Mandel et al.
- 7,503,400 B2 3/2009 Llewellyn
- 7,506,789 B2 3/2009 Shor
- D600,085 S 9/2009 Mandel et al.
- D600,986 S 9/2009 Betsalel et al.
- D604,576 S 11/2009 Betsalel et al.
- 7,637,407 B2 12/2009 Shor
- 7,699,202 B2 4/2010 Shor
- D620,330 S 7/2010 Krumpe et al.

(Continued)

Primary Examiner — Austin Murphy
(74) *Attorney, Agent, or Firm* — Lora J. Graentzdoerffer;
Nirav D. Parikh; Edgar A. Zarins

(56) **References Cited**

U.S. PATENT DOCUMENTS

- 5,407,118 A 4/1995 Marks
- D360,566 S * 7/1995 Marks et al. D8/49
- 5,497,932 A 3/1996 Brewer et al.
- 5,511,716 A 4/1996 Marks
- 5,622,258 A 4/1997 Baublitz et al.
- D384,257 S * 9/1997 Marks et al. D8/49
- D384,258 S * 9/1997 Marks et al. D8/49
- 5,664,722 A 9/1997 Marks
- 5,699,949 A * 12/1997 Marks 227/132
- 5,735,444 A 4/1998 Wingert
- 5,765,742 A 6/1998 Marks
- 5,816,470 A 10/1998 Plato et al.
- 5,884,829 A 3/1999 Wingert
- D411,422 S * 6/1999 Juhlin et al. D8/49
- 5,988,478 A * 11/1999 Marks 227/132
- D432,883 S 10/2000 Wingert
- 6,131,788 A * 10/2000 Marks 227/132
- 6,145,728 A * 11/2000 Marks 227/132
- 6,173,877 B1 1/2001 Wingert
- 6,355,892 B1 3/2002 Marks

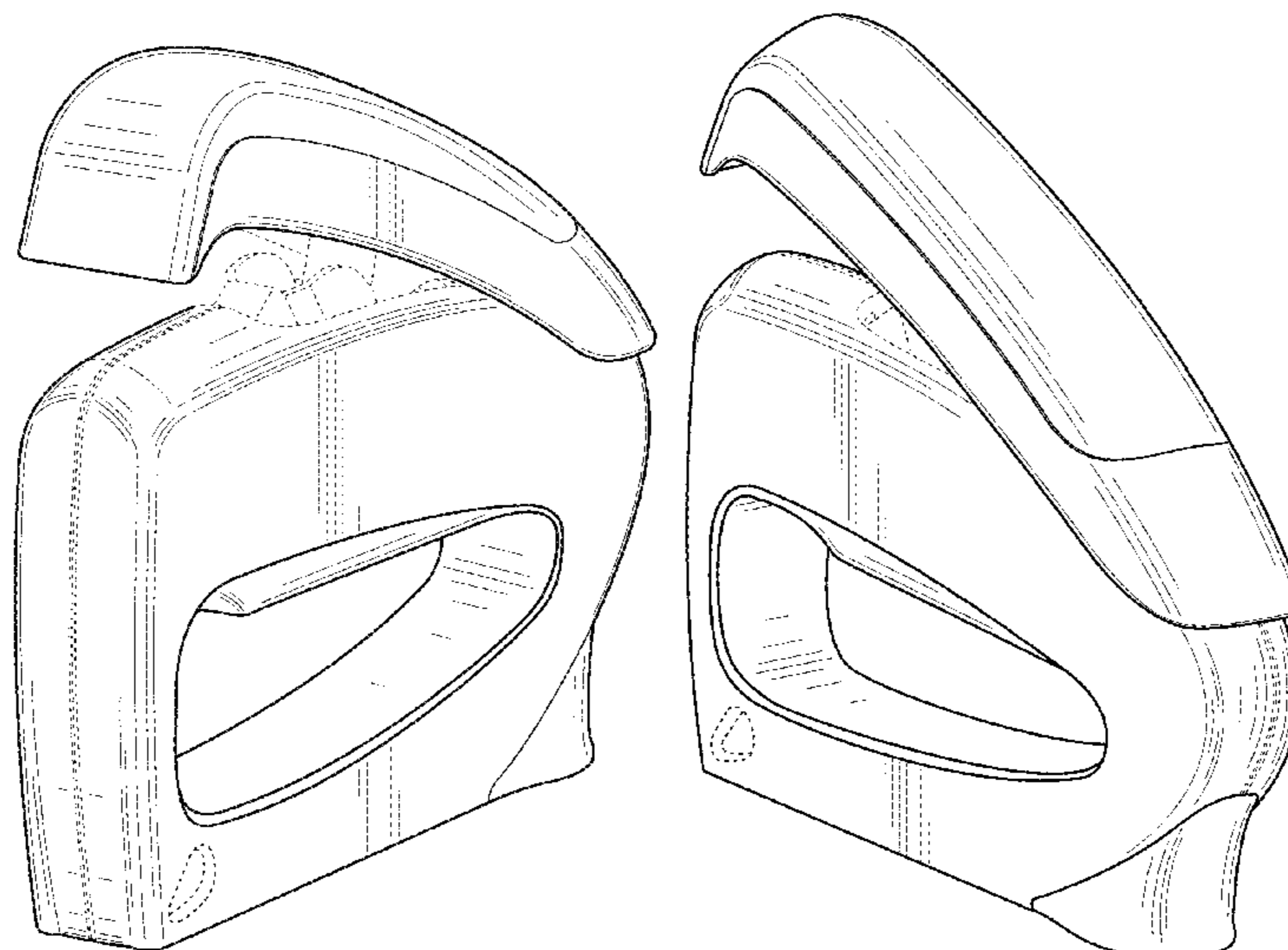
(57) **CLAIM**

The ornamental design for a fastening tool, as shown and described.

DESCRIPTION

FIG. 1 is a perspective view thereof;
FIG. 2 is an alternative perspective view thereof;
FIG. 3 is a front elevational view thereof;
FIG. 4 is a rear elevational view thereof;
FIG. 5 is a right side elevational view thereof; the left side elevational view being a mirror image thereof; and,
FIG. 6 is a top plan view thereof.
The broken-line disclosure in the views represents portions of the article in which the claimed design is embodied, but which form no part of the claimed design.

1 Claim, 6 Drawing Sheets



US D667,711 S

Page 2

U.S. PATENT DOCUMENTS

D620,331 S	7/2010	Krumpe et al.	D631,316 S	1/2011	Krumpe et al.	
7,815,089 B2	10/2010	Shor	D631,317 S	1/2011	Krumpe et al.	
D630,071 S	1/2011	Krumpe et al.	D631,318 S	1/2011	Krumpe et al.	
D630,072 S	1/2011	Krumpe et al.	D655,558 S	3/2012	Pennington et al.	
D630,073 S	1/2011	Krumpe et al.	D655,587 S *	3/2012	Walters et al. D8/49

* cited by examiner

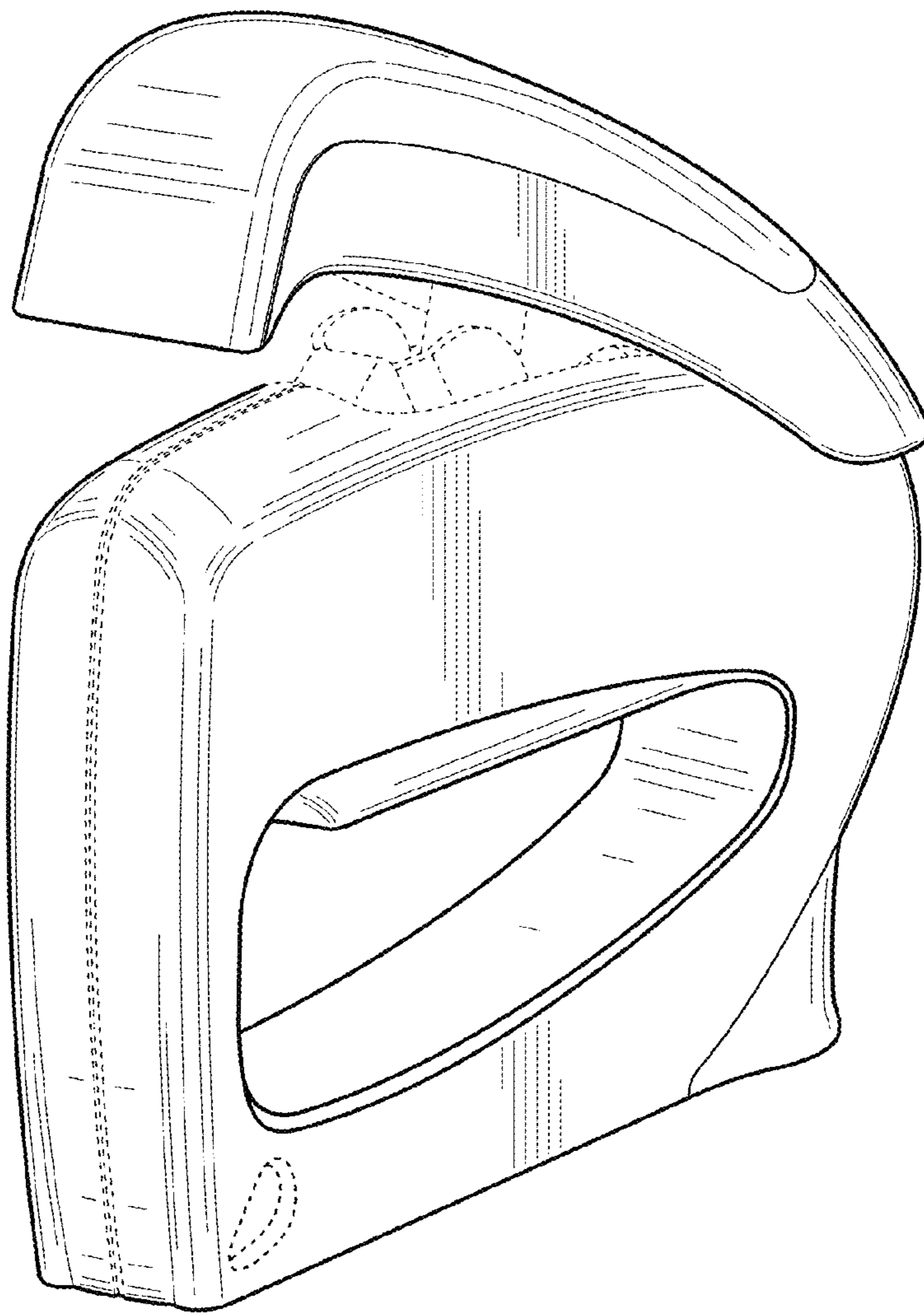


FIG. 1

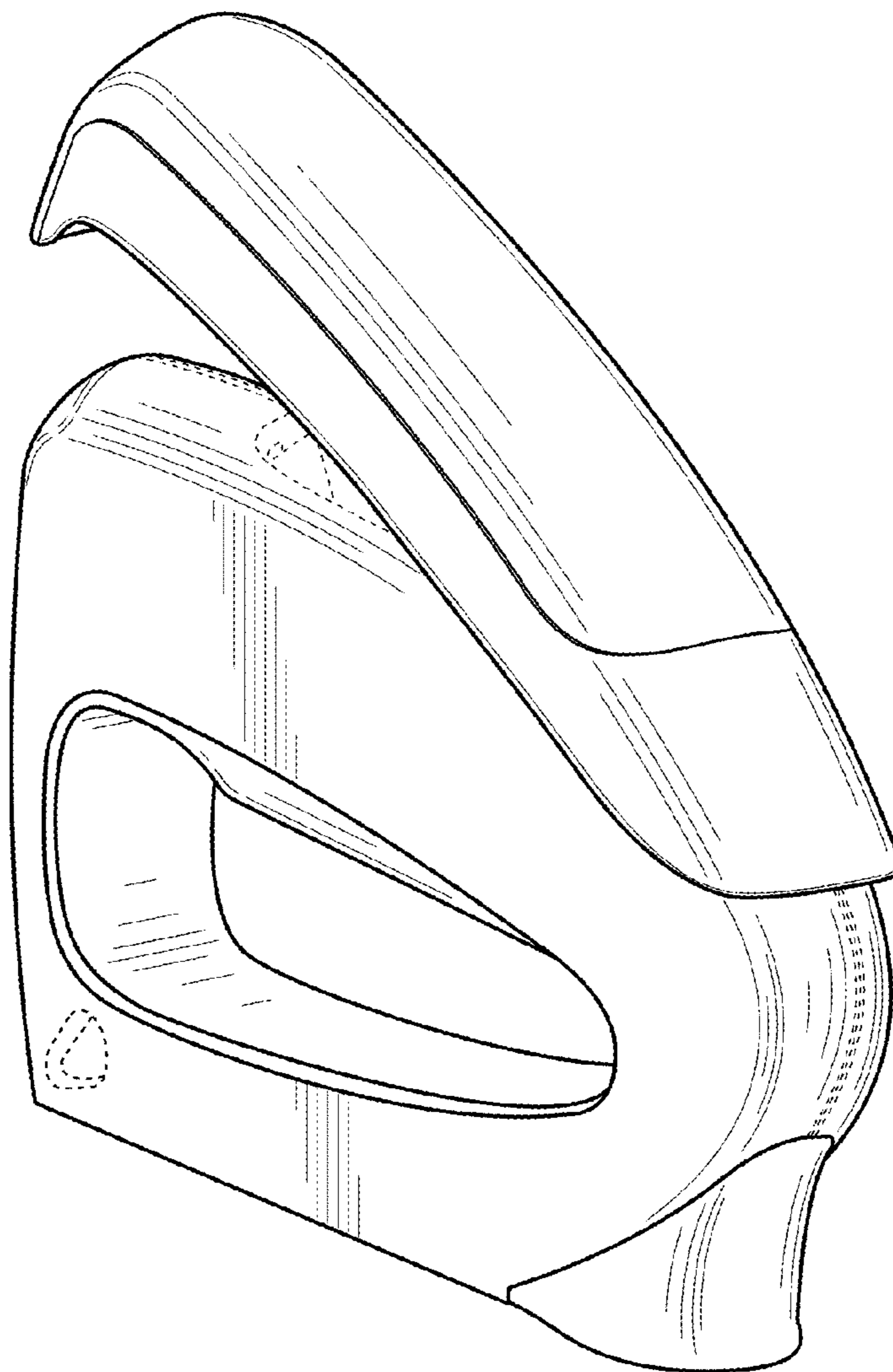


FIG. 2

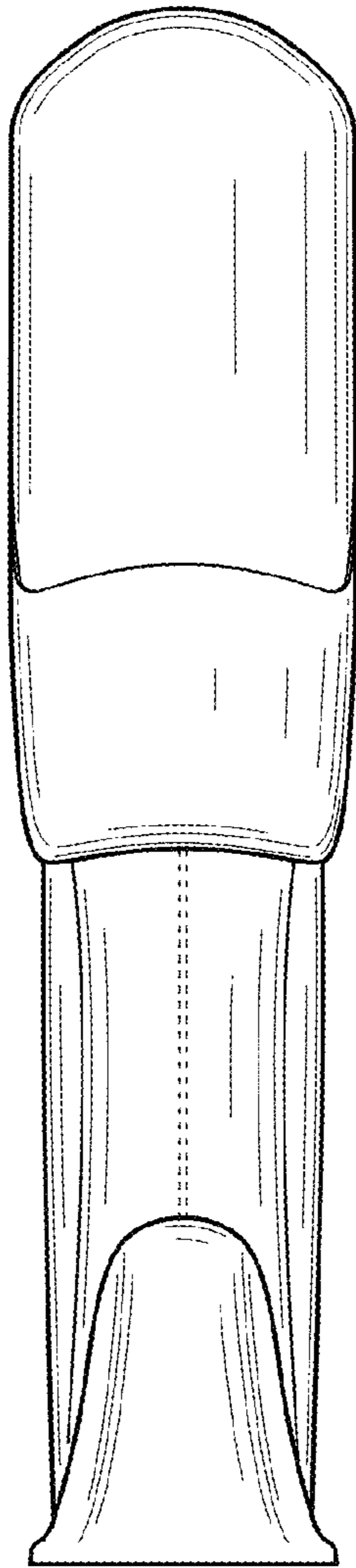


FIG. 3

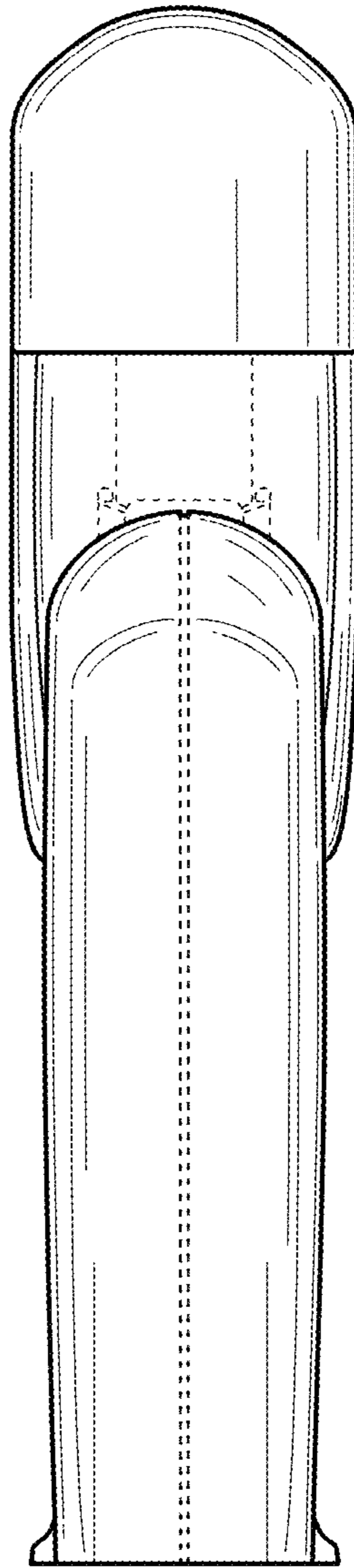


FIG. 4

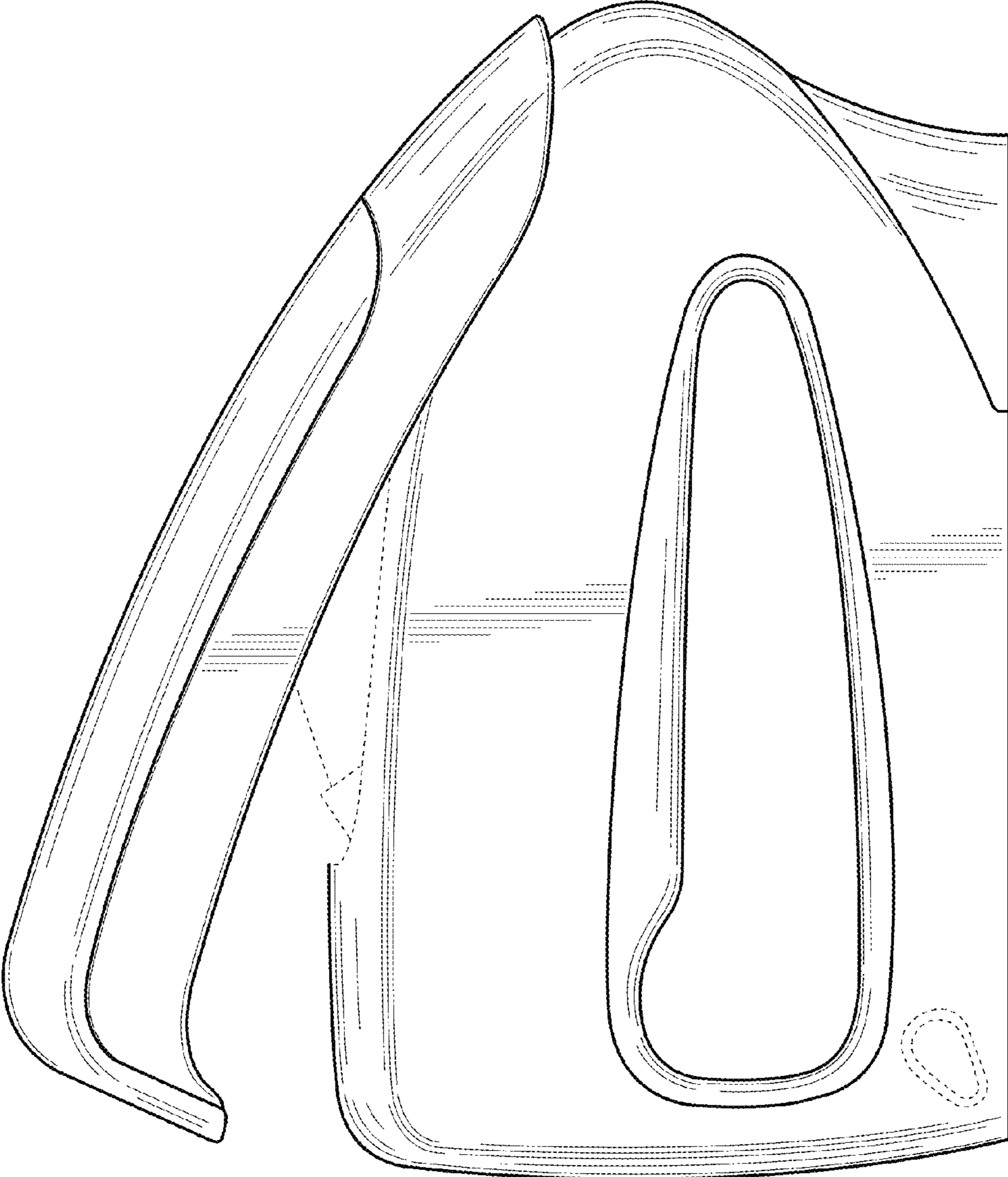


FIG. 5

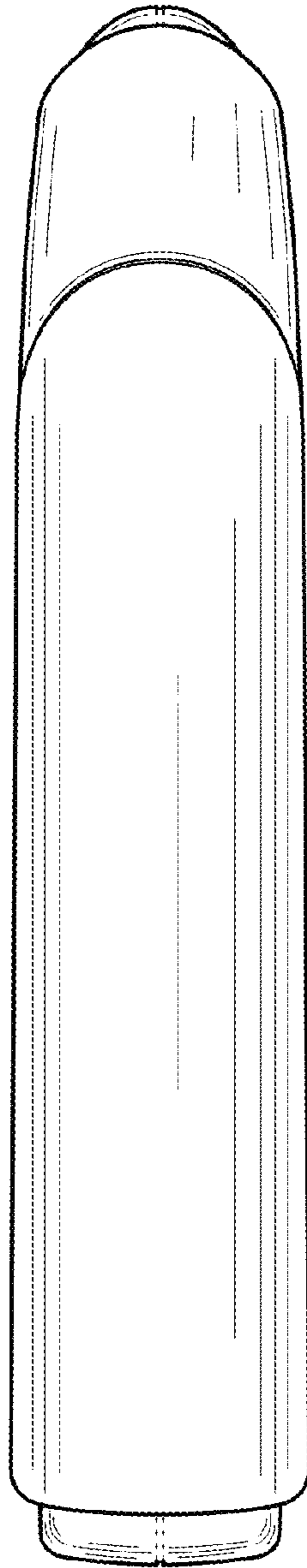


FIG. 6