

US00D667710S

(12) **United States Design Patent**
Fossum

(10) **Patent No.:** **US D667,710 S**
(45) **Date of Patent:** **** *Sep. 25, 2012**

(54) **WRENCH TOOL FOR SPORTS EQUIPMENT**

(56) **References Cited**

(75) Inventor: **Brandon L. Fossum**, Phoenix, AZ (US)

U.S. PATENT DOCUMENTS

(73) Assignee: **Karsten Manufacturing Corporation**,
Phoenix, AZ (US)

965,970 A	8/1910	Wells	
1,289,450 A	12/1918	Holiday	
2,793,376 A	5/1957	Pavlinetz	
D181,558 S	11/1957	Urie	
3,427,917 A	2/1969	Thompson	
3,533,630 A	10/1970	Lo Monaco	
3,672,419 A	6/1972	Fischer	
4,170,356 A	10/1979	Banks	
373,872 A	11/1987	Williams	
429,105 A	5/1990	Avery	
5,002,446 A	3/1991	Anderson	
D317,705 S	6/1991	Tinz	
D338,393 S	8/1993	Mine	D8/387
D339,279 S	9/1993	Baum	
5,529,428 A	6/1996	Bischof	

(*) Notice: This patent is subject to a terminal disclaimer.

(**) Term: **14 Years**

(21) Appl. No.: **29/417,087**

(22) Filed: **Mar. 29, 2012**

(Continued)

Related U.S. Application Data

(63) Continuation of application No. 29/416,467, filed on Mar. 22, 2012.

(51) **LOC (9) Cl.** **08-05**

(52) **U.S. Cl.** **D8/21**

(58) **Field of Classification Search** D8/17,
D8/21-29, 52, 53, 54, 55, 81-87, 102-107,
D8/98, 99, 93, 94; 81/119, 121.1, 86, 124.2,
81/125, 125.1, 176.1, 176.2, 177.1, 177.2,
81/177.85, 124.3, 124.7, 176.3, 179, 160,
81/3.57, 3.55, 58.3, 300, 58.1, 60-63.2, 165-170,
81/110.1, 124.6, 176.15, 177.3, 58.4, 121.7,
81/436, 437, 418, 166, 186, 177.8, 177.9,
81/185.1, 3.4, 177.4, 492, 57, 13, 177.7,
81/490, 415-423, 427.5, 134, 142, 129, 118;
140/119; 16/422, 186, 429

See application file for complete search history.

Primary Examiner — Raphael Barkai
Assistant Examiner — Randall Gholson

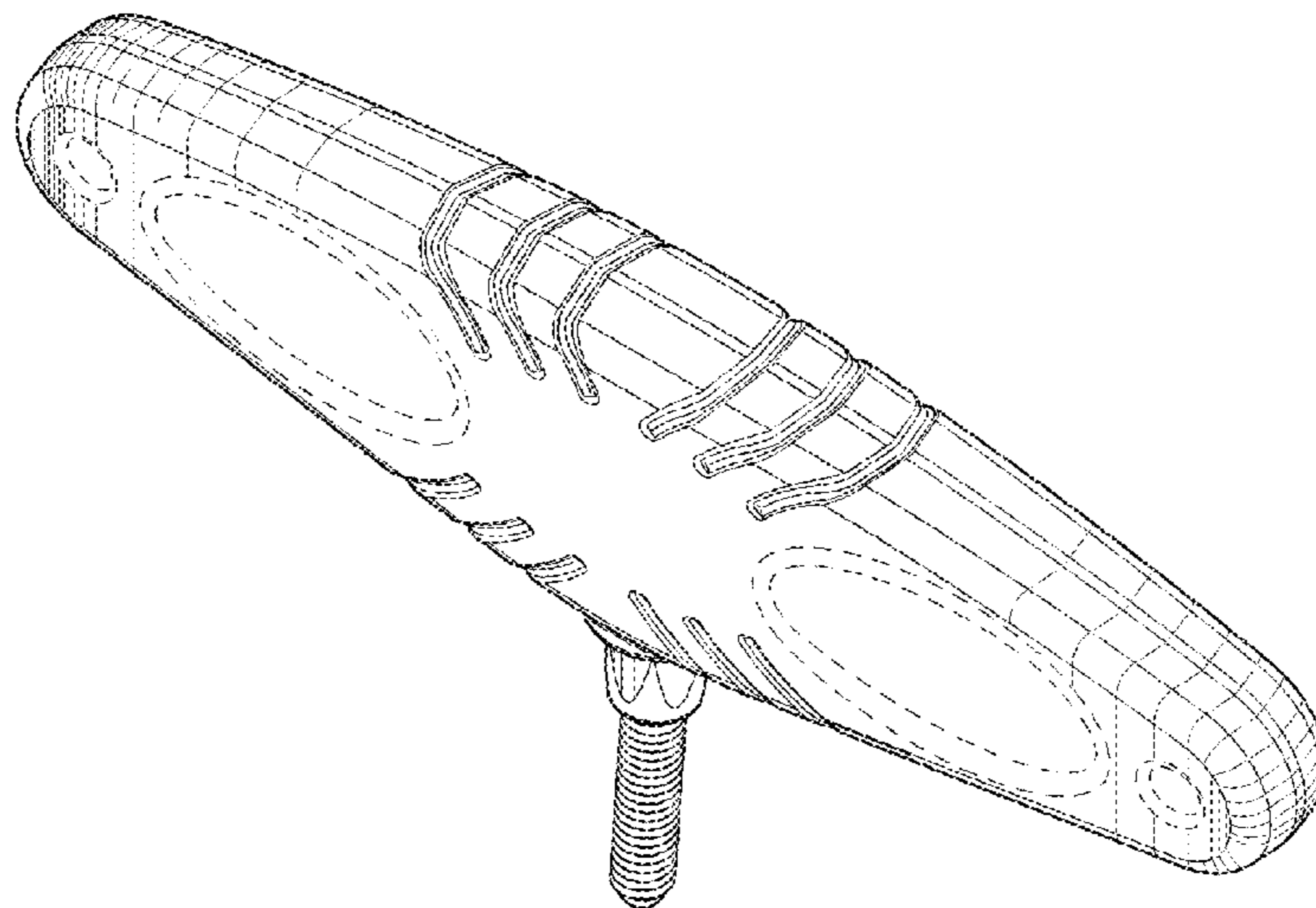
(57) **CLAIM**

The ornamental design for a wrench tool for sports equipment, as shown and described.

DESCRIPTION

FIG. 1 is a top perspective view of a wrench tool for sports equipment;
FIG. 2 is a bottom perspective view of the wrench tool of FIG. 1;
FIG. 3 is a front view of the wrench tool of FIG. 1;
FIG. 4 is a rear view of the wrench tool of FIG. 1;
FIG. 5 is a top view of the wrench tool of FIG. 1;
FIG. 6 is a bottom view of the wrench tool of FIG. 1;
FIG. 7 is a right view of the wrench tool of FIG. 1; and,
FIG. 8 is a left view of the wrench tool of FIG. 1.
The broken lines shown in one or more of the figures are for illustrative purposes only and form no part of the claimed design.

1 Claim, 3 Drawing Sheets



US D667,710 S

Page 2

U.S. PATENT DOCUMENTS

D373,305 S	9/1996	Decursu	D613,139 S *	4/2010	Lai	D8/21
D378,797 S	4/1997	Poremba	7,744,484 B1 *	6/2010	Chao	473/324
D394,794 S	6/1998	Vasudeva	D630,487 S	1/2011	Davis	
D470,400 S	2/2003	Fraser	D634,172 S	3/2011	Robinson	
D482,259 S	11/2003	Chen	D637,467 S	5/2011	Wang	
D486,050 S	2/2004	Rampen	D644,095 S	8/2011	Underwood	
6,708,377 B2	3/2004	Maunder	D646,386 S *	10/2011	Miller et al.	D24/133
6,722,999 B1	4/2004	Yi	D647,201 S	10/2011	Gauthier	
D517,634 S *	3/2006	Nunez et al.	D648,433 S *	11/2011	Bast et al.	D24/133
7,074,135 B2	7/2006	Moore	D649,423 S *	11/2011	Robinson et al.	D8/83
D530,588 S	10/2006	Wang	8,106,278 B2	1/2012	Eason	
D534,411 S	1/2007	Kuo	2003/0063948 A1	4/2003	Liu	
7,165,580 B2	1/2007	Bean	2005/0258648 A1	11/2005	Newman	
D550,057 S	9/2007	Staples	2011/0165956 A1	7/2011	Park	
7,384,078 B2	6/2008	Cobb				

* cited by examiner

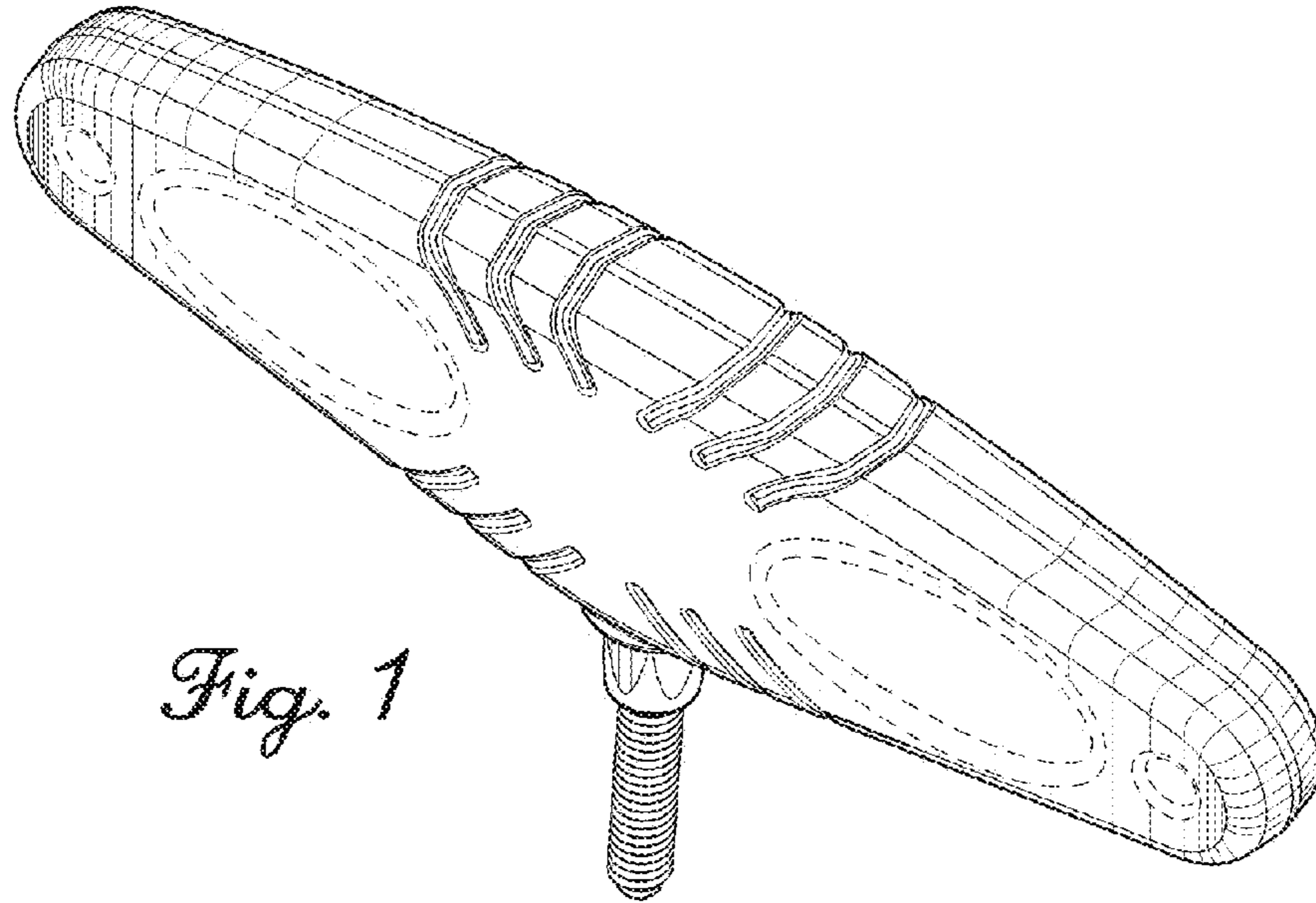


Fig. 1

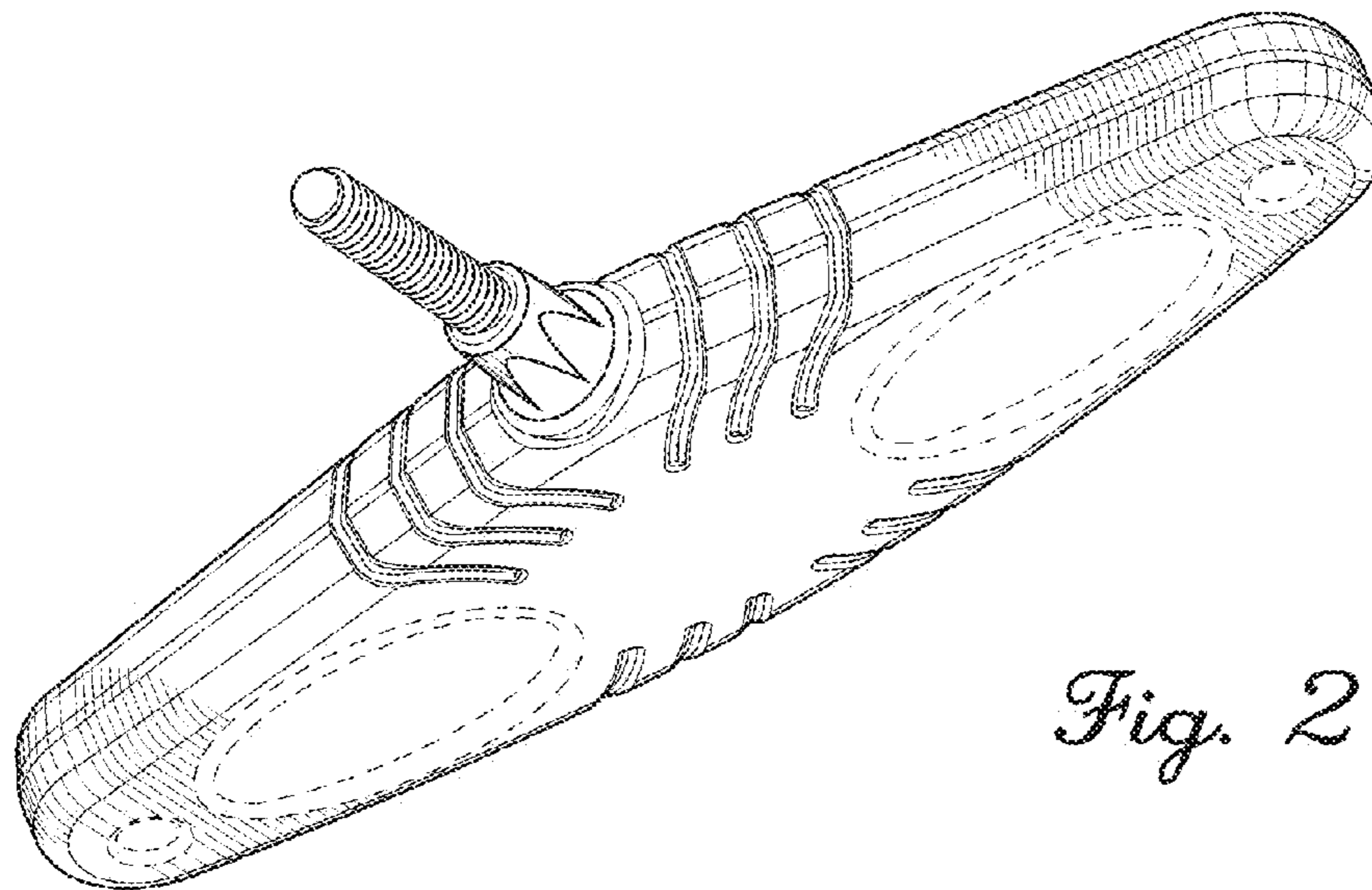


Fig. 2

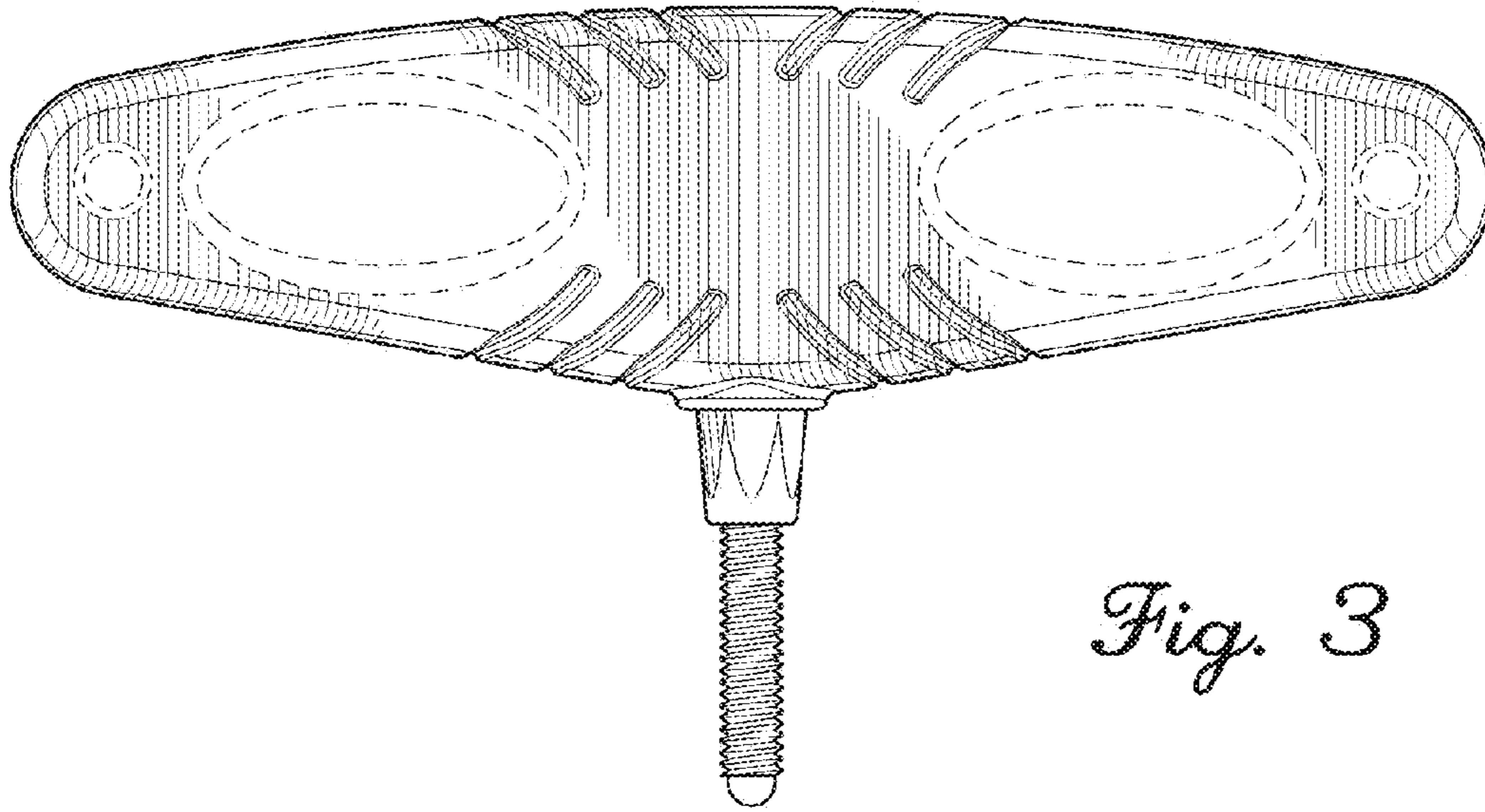


Fig. 3

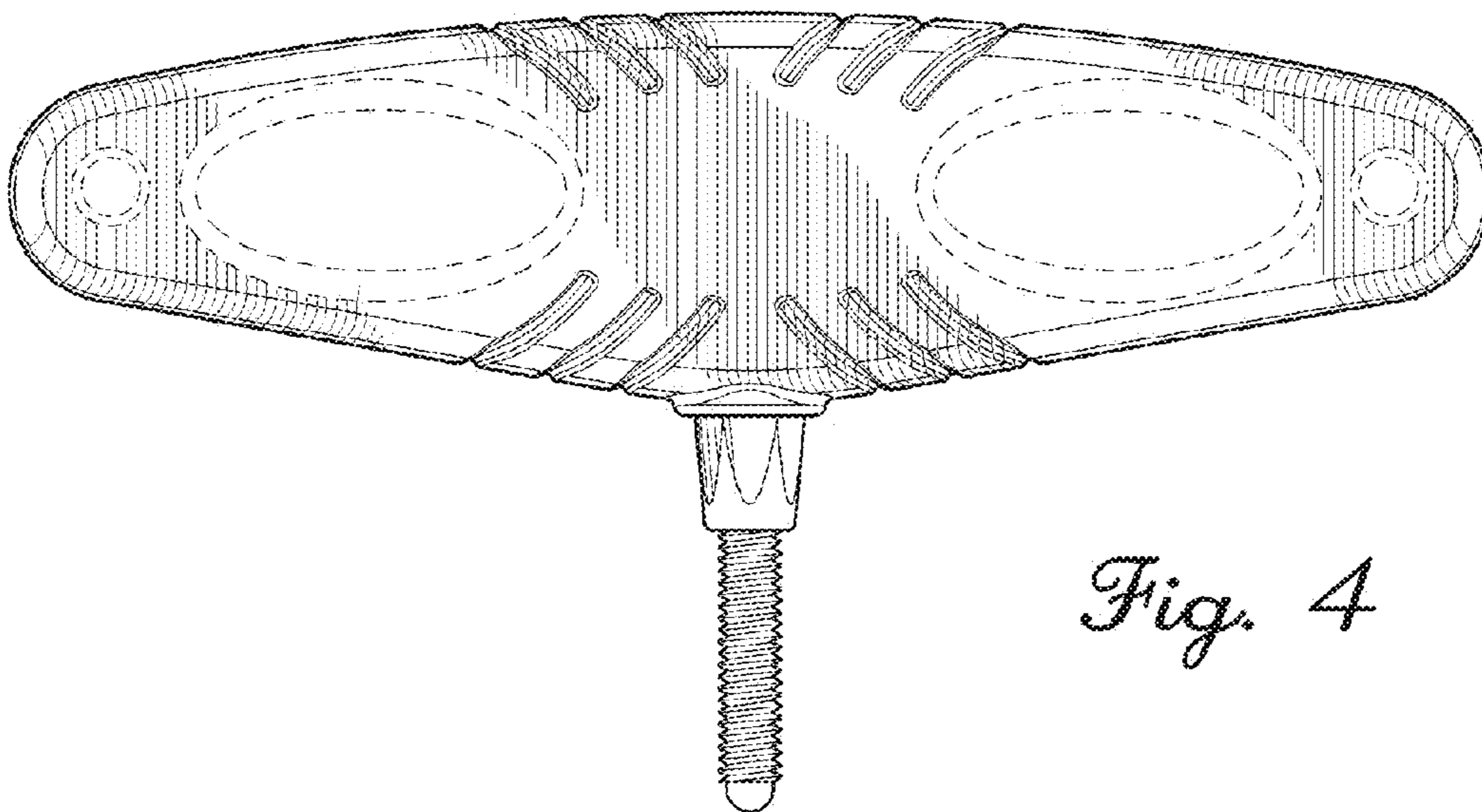


Fig. 4

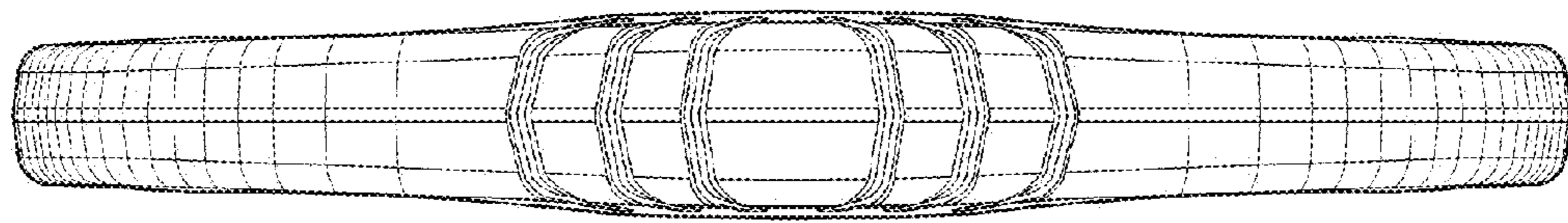


Fig. 5

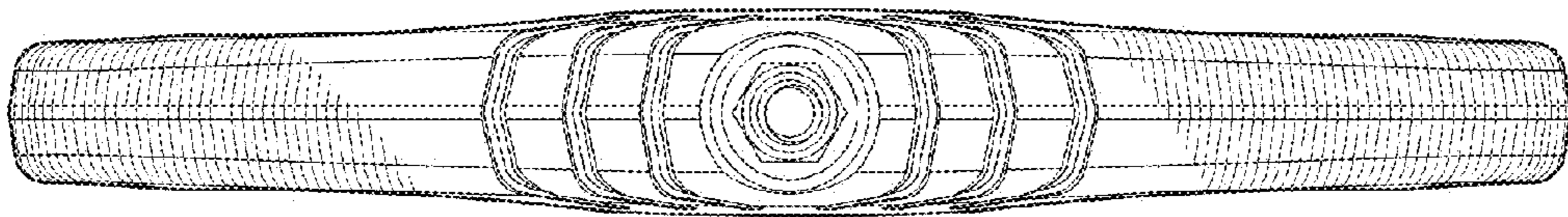


Fig. 6

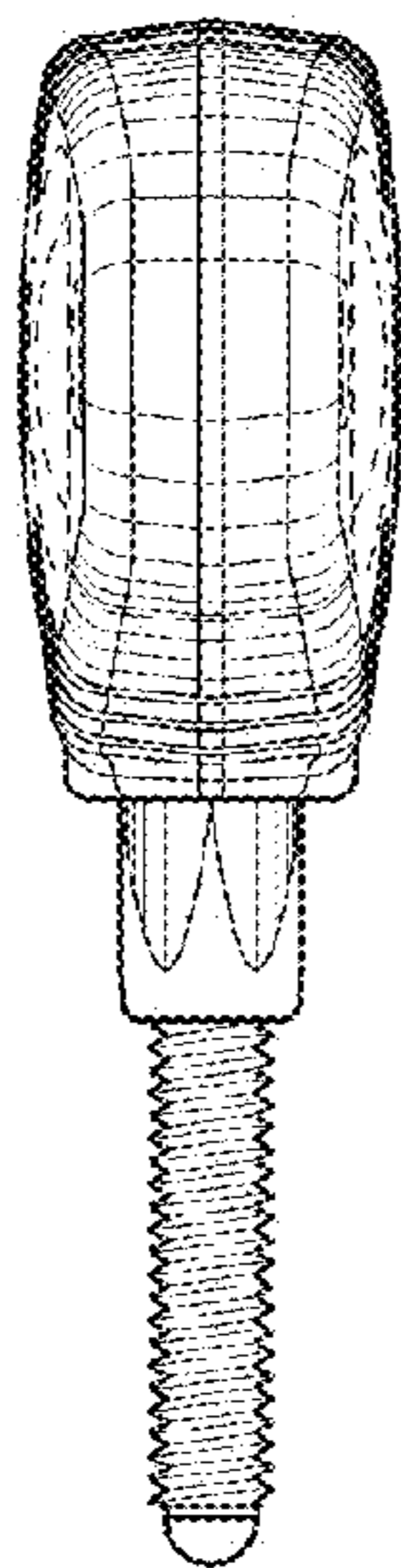


Fig. 7

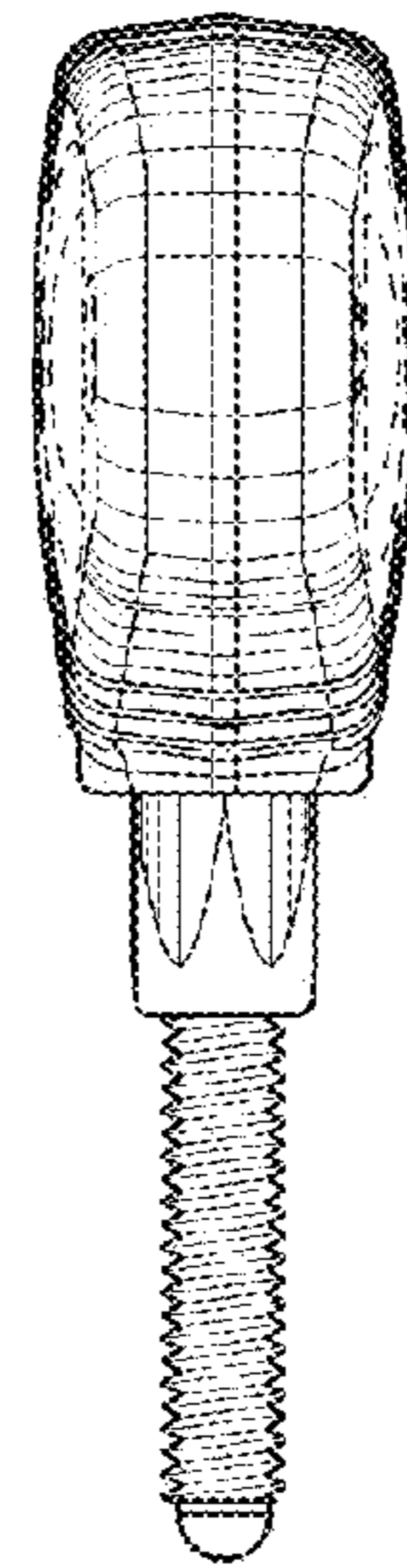


Fig. 8