



US00D667709S

(12) **United States Design Patent**
Bondeson et al.

(10) **Patent No.:** **US D667,709 S**
(45) **Date of Patent:** **** Sep. 25, 2012**

(54) **COVER FOR AN ADHESIVE DISPENSING GUN**

FOREIGN PATENT DOCUMENTS

DE 3214726 A1 10/1983
(Continued)

(75) Inventors: **Benjamin J. Bondeson**, Suwanee, GA (US); **Christopher R. Chastine**, Lawrenceville, GA (US); **Brett A. Pearson**, Johns Creek, GA (US); **Paula E. Ruse**, Lawrenceville, GA (US)

OTHER PUBLICATIONS

Nordson Corporation, Select Series^(TM) Hot Melt Dispensing Guns and Hoses, Brochure, Apr. 2006.

(73) Assignee: **Nordson Corporation**, Westlake, OH (US)

(Continued)

(**) Term: **14 Years**

Primary Examiner — Antoine D Davis

(21) Appl. No.: **29/416,809**

(74) *Attorney, Agent, or Firm* — Wood, Herron & Evans, L.L.P.

(22) Filed: **Mar. 27, 2012**

Related U.S. Application Data

(62) Division of application No. 29/400,549, filed on Aug. 30, 2011, now Pat. No. Des. 658,954, which is a division of application No. 29/364,825, filed on Jun. 29, 2010, now Pat. No. Des. 647,380.

(57) **CLAIM**

The ornamental design for a cover for an adhesive dispensing gun, as shown and described.

(51) **LOC (9) Cl.** **08-05**

(52) **U.S. Cl.** **D8/14.1**

(58) **Field of Classification Search** D8/14.1; 219/230; 222/146.5, 153.14, 323, 473; 239/1, 239/106, 112, 328, 323, 527, 528, 583
See application file for complete search history.

DESCRIPTION

FIG. 1 is a front perspective view of a cover for an adhesive dispensing gun according to the invention.

FIG. 2 is a front view of the cover for an adhesive dispensing gun according to the invention, the rear view being a mirror image thereof.

FIG. 3 is a left side view of the cover for an adhesive dispensing gun according to the invention.

FIG. 4 is a right side view of the cover for an adhesive dispensing gun according to the invention.

FIG. 5 is a top view of the cover for an adhesive dispensing gun according to the invention; and,

FIG. 6 is a bottom view of the cover for an adhesive dispensing gun according to the invention.

Any elements shown in dash-dot lines form no part of the claimed invention in this application, and are instead included to show environmental aspects of the claimed invention.

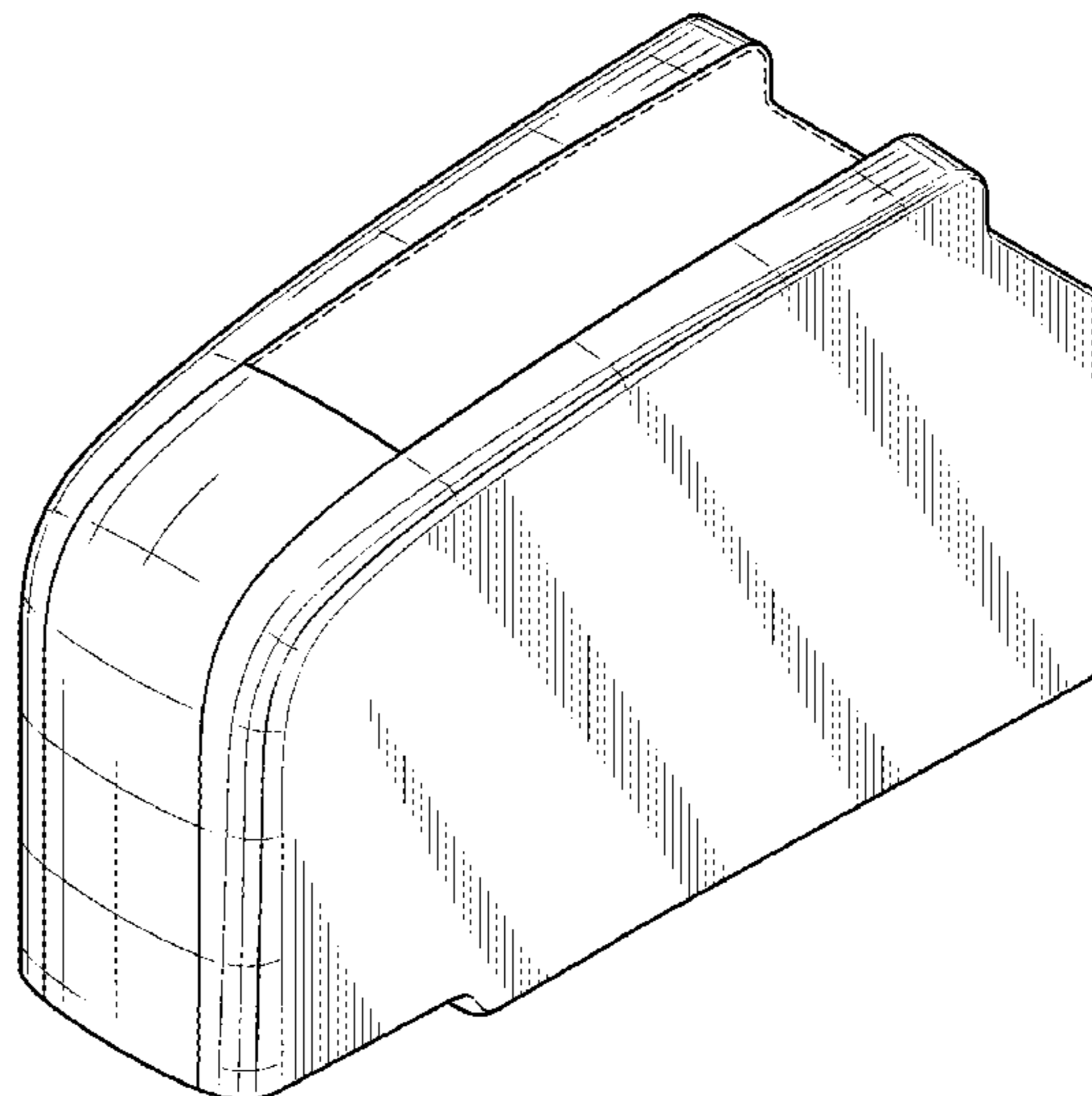
(56) **References Cited**

U.S. PATENT DOCUMENTS

2,025,509	A	12/1935	Hieber
3,818,930	A	6/1974	Crum et al.
3,876,105	A	4/1975	Kelling
4,245,759	A	1/1981	Baker et al.
4,334,637	A	6/1982	Baker et al.
4,456,151	A	6/1984	Lewellen
4,711,379	A	12/1987	Price
4,726,822	A	2/1988	Cates et al.
4,752,670	A	6/1988	Traub et al.

(Continued)

1 Claim, 2 Drawing Sheets



US D667,709 S

Page 2

U.S. PATENT DOCUMENTS

5,336,320 A 8/1994 Hogan et al.
5,375,738 A 12/1994 Walsh et al.
5,407,101 A 4/1995 Hubbard
5,680,961 A 10/1997 Boccagno et al.
5,706,982 A 1/1998 Siddiqui et al.
5,715,972 A 2/1998 Siddiqui
5,837,975 A 11/1998 Dillard et al.
5,913,455 A 6/1999 La et al.
5,934,520 A 8/1999 Byerly et al.
6,049,658 A 4/2000 Schave et al.
6,056,155 A 5/2000 Byerly et al.
6,175,101 B1 1/2001 Miller et al.
6,499,629 B1 12/2002 Colangelo et al.
6,533,187 B2 3/2003 May
7,025,081 B2 4/2006 Colangelo et al.
D552,716 S 10/2007 Chastine et al.
7,626,143 B2 12/2009 Miller

D647,380 S 10/2011 Bondeson et al.
8,061,918 B2 11/2011 Skalitzky et al.
D658,954 S 5/2012 Bondeson et al.
8,210,398 B2* 7/2012 Bondeson et al. 222/146.5
2002/0109019 A1 8/2002 May
2009/0294014 A1 12/2009 Sennrich

FOREIGN PATENT DOCUMENTS

EP 0855228 A2 7/1998
WO 9810251 A1 3/1998

OTHER PUBLICATIONS

Nordson Corporation, MiniBlue™ Hot Melt Dispensing Guns, Brochure, 2003.

Nordson Corporation, MiniBlue™ II Hot Melt Dispensing Applicators, Brochure, 2010.

* cited by examiner

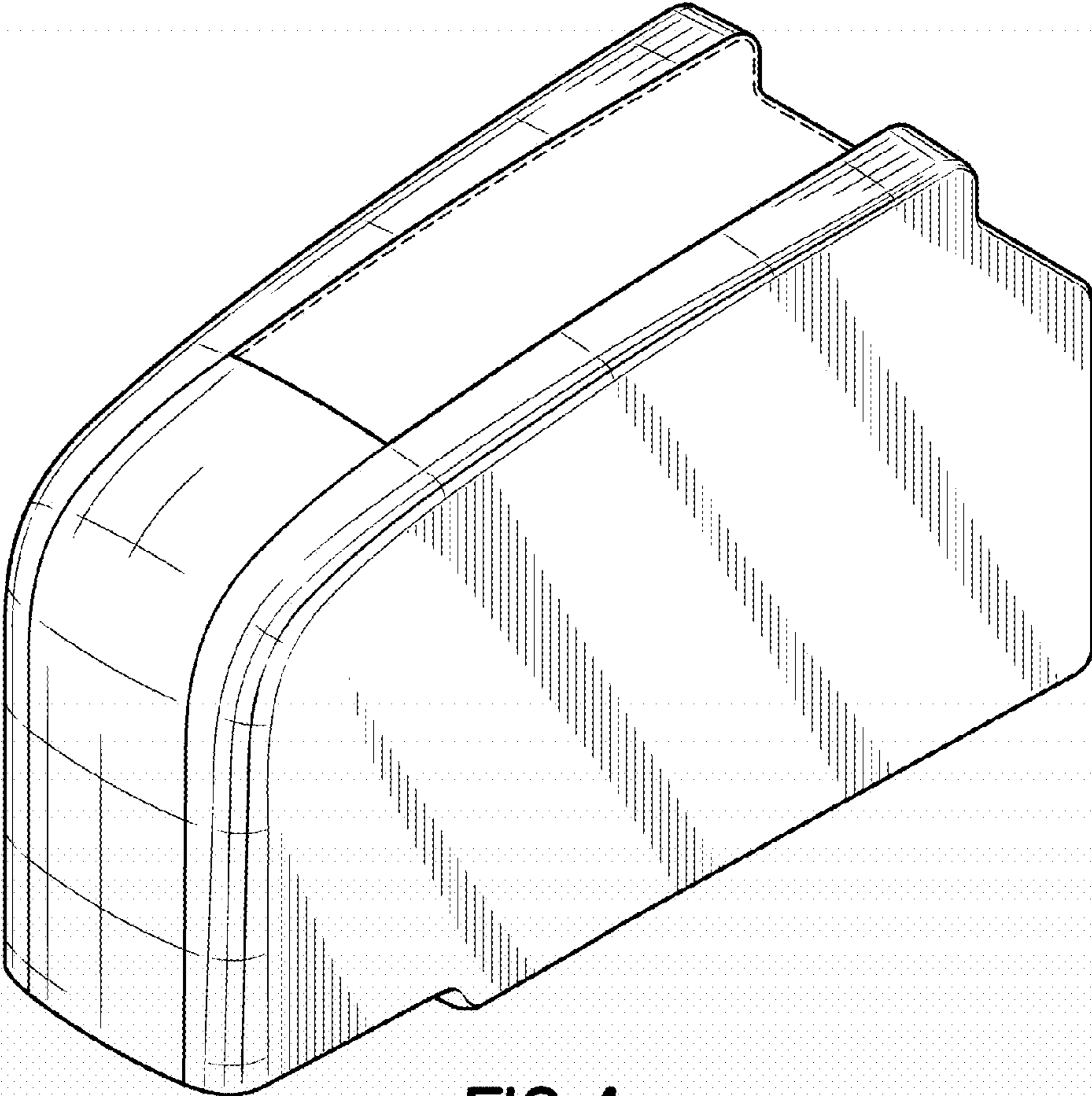


FIG. 1

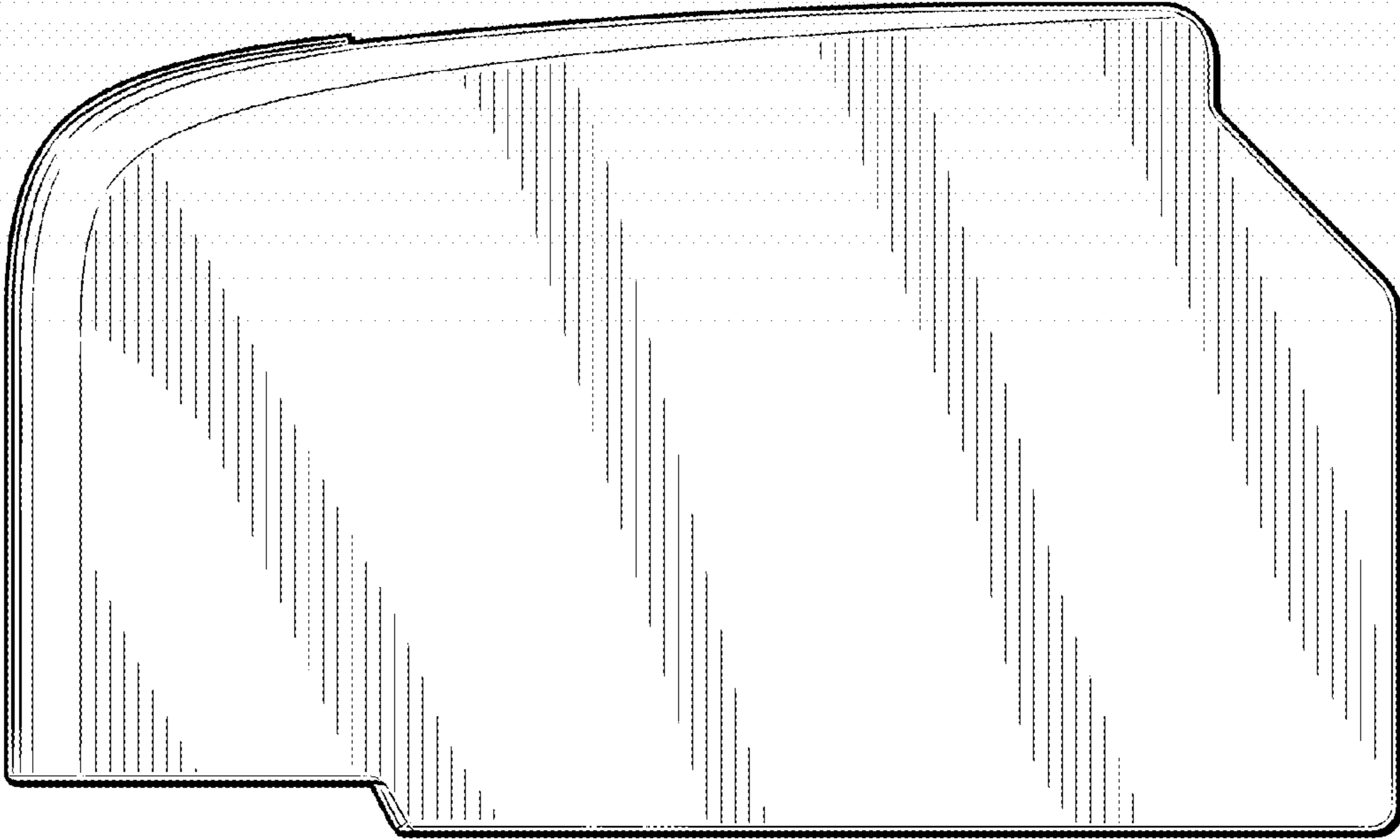


FIG. 2

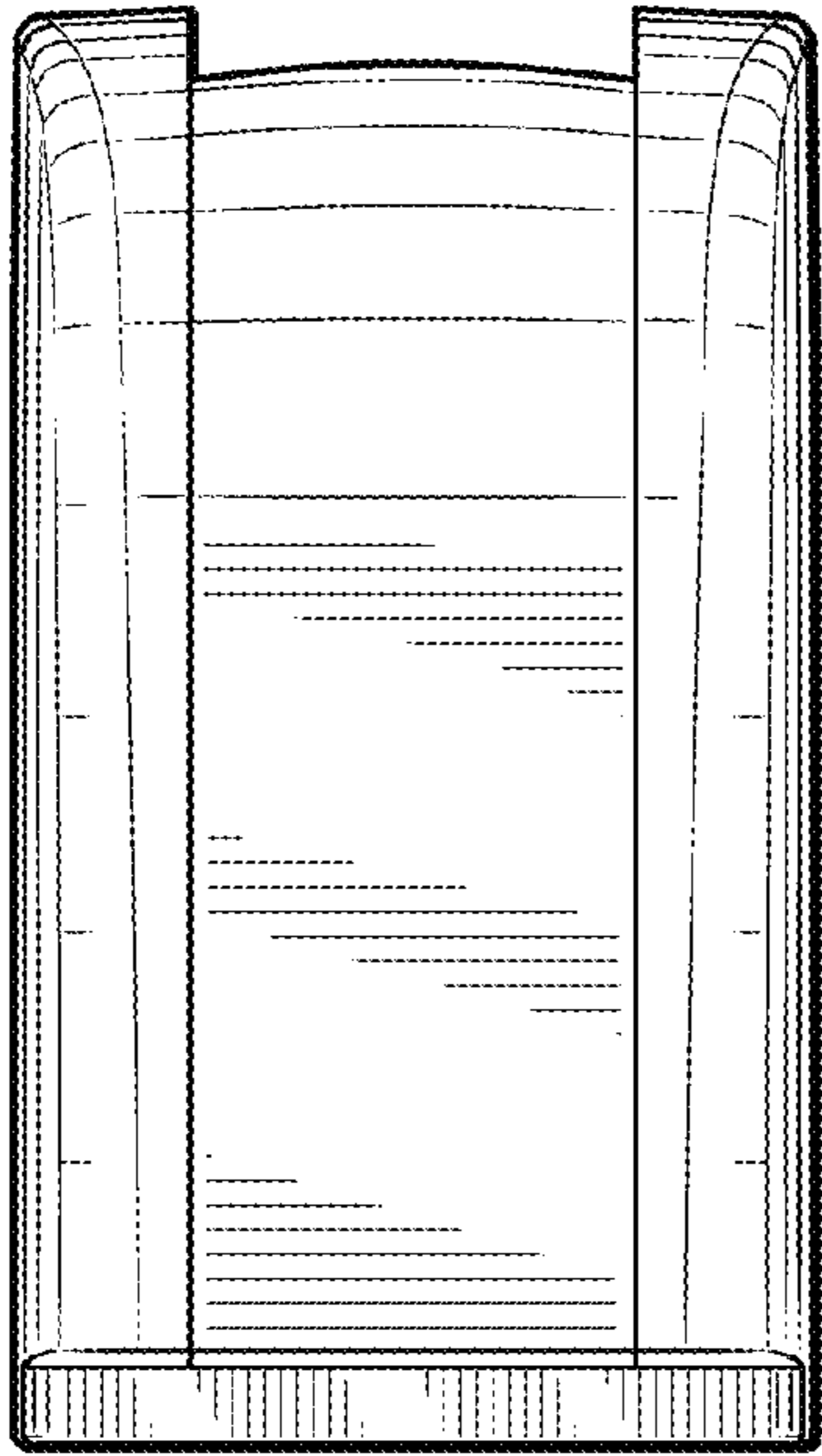


FIG. 3

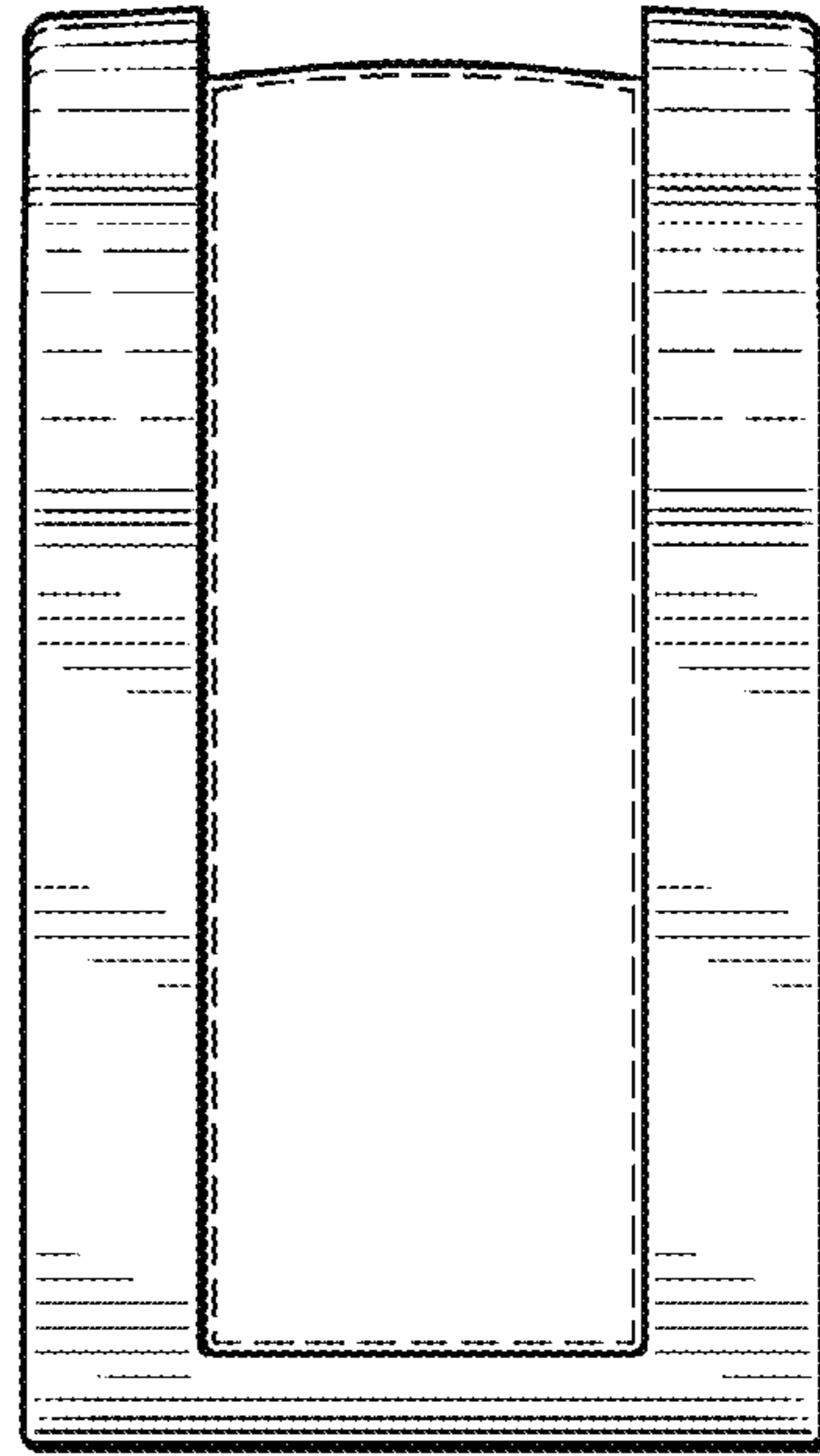


FIG. 4

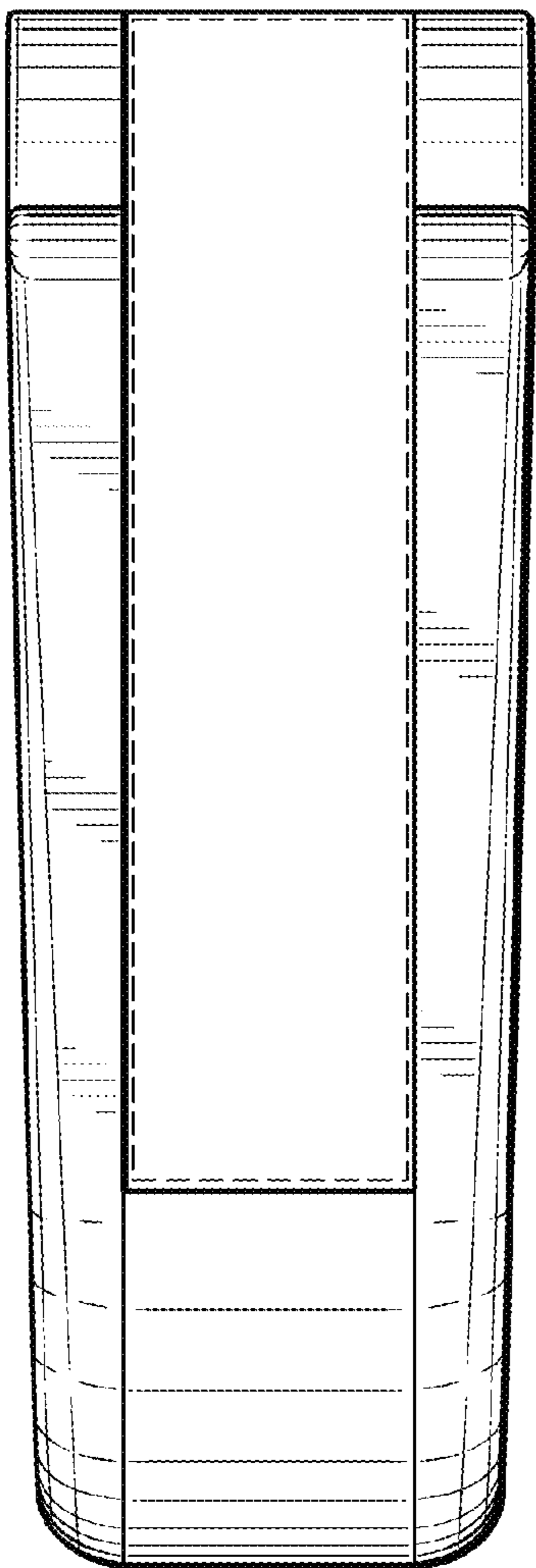


FIG. 5

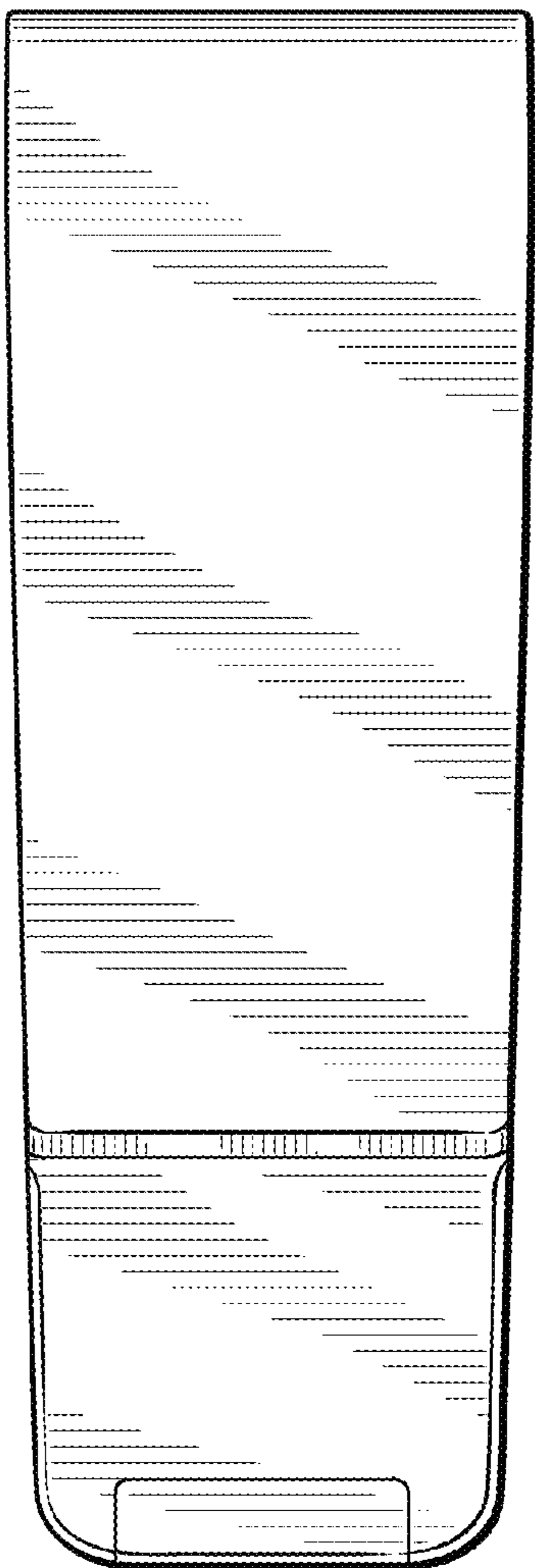


FIG. 6