



US00D667708S

(12) **United States Design Patent**  
**Stewart et al.**

(10) **Patent No.:** **US D667,708 S**  
(45) **Date of Patent:** **\*\* Sep. 25, 2012**

(54) **STIRRING UTENSIL**

(76) Inventors: **Anna M. Stewart**, Naples, NY (US);  
**Stephen Kraigh Stewart**, Naples, NY (US)

(\*\*) Term: **14 Years**

(21) Appl. No.: **29/386,694**

(22) Filed: **Mar. 3, 2011**

(51) **LOC (9) Cl.** ..... **07-02**

(52) **U.S. Cl.** ..... **D7/688**

(58) **Field of Classification Search** ..... D7/680-696,  
D7/393, 395; 294/7, 8; 15/236.07, 236.08,  
15/236.01

See application file for complete search history.

(56) **References Cited**

U.S. PATENT DOCUMENTS

D267,620 S \* 1/1983 Efron ..... D7/669

(Continued)

*Primary Examiner* — Terry Wallace

(74) *Attorney, Agent, or Firm* — Smith Risley Tempel  
Santos LLC; Gregory Scott Smith

(57) **CLAIM**

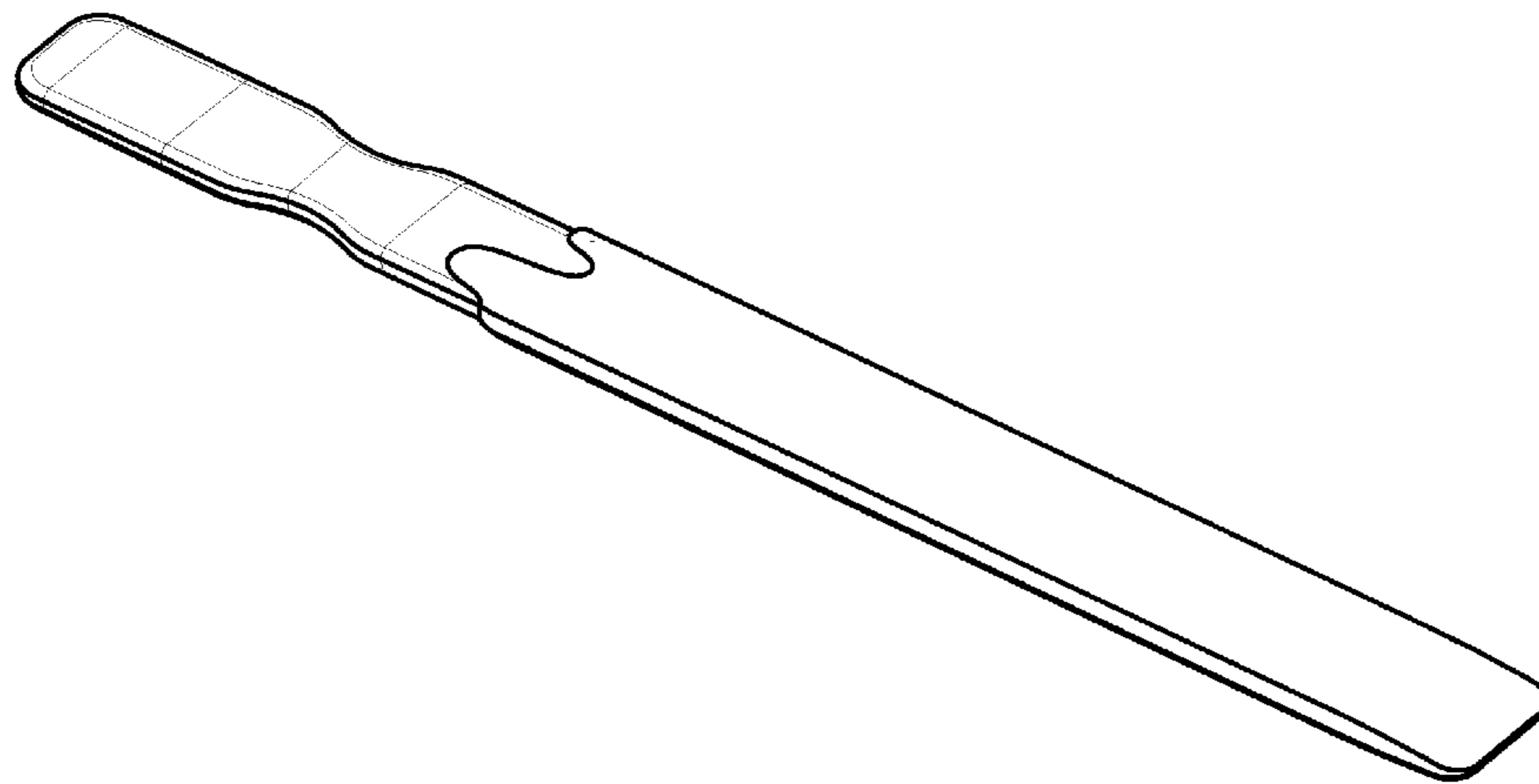
The ornamental design for a stirring utensil, as shown and described.

**DESCRIPTION**

FIG. 1 is a perspective view showing a first side, first edge and front-tip end of our stirring utensil;  
FIG. 2 is a perspective view showing a second side, second edge and back handle end of our stirring utensil;  
FIG. 3 is an elevation view of the first side of the stirring utensil shown in FIG. 1;  
FIG. 4 is a plan view of the first edge of the stirring utensil shown in FIG. 1 with the first side being on top and the second side being on the bottom;  
FIG. 5 is a magnified plan view of a joint section of the first edge of the stirring utensil shown in FIG. 4;  
FIG. 6 is a magnified plan view of the back handle end of the first edge of the stirring utensil shown in FIG. 4;  
FIG. 7 is a magnified plan view of the front-tip section of the first edge of the stirring utensil shown in FIG. 4;

FIG. 8 is an elevation view of the second side of the stirring utensil shown in FIG. 1;  
FIG. 9 is a plan view of the second edge of the stirring utensil shown in FIG. 1 with the first side being on top and the second side being on the bottom;  
FIG. 10 is a magnified plan view of a joint section of the second edge of the stirring utensil shown in FIG. 9;  
FIG. 11 is a back handle end plan view of the stirring utensil shown in FIG. 1;  
FIG. 12 is a magnified back handle end plan view of the stirring utensil shown in FIG. 11;  
FIG. 13 is a front tip end plan view of the stirring utensil shown in FIG. 1; and  
FIG. 14 is a front tip end magnified plan view of the stirring utensil shown in FIG. 13.  
FIG. 15 is a perspective view showing a first side, first edge and front-tip end of a second embodiment of our stirring utensil;  
FIG. 16 is a perspective view showing a second side, second edge and back handle end of our stirring utensil illustrated in FIG. 15;  
FIG. 17 is an elevation view of the first side of the stirring utensil shown in FIG. 15;  
FIG. 18 is a plan view fo the first edge of the stirring utensil shown in FIG. 15 with the first side being on top and the second side being on the bottom;  
FIG. 19 is a magnified plan view of a joint section of the first edge of the stirring utensil shown in FIG. 18;  
FIG. 20 is a magnified plan view of the back handle end of the first edge of the stirring utensil shown in FIG. 18;  
FIG. 21 is a magnified plan view of the front-tip section of the first edge of the stirring utensil shown in FIG. 18;  
FIG. 22 is an elevation view of the second side of the stirring utensil shown in FIG. 15;  
FIG. 23 is a plan view of the second edge of the stirring utensil shown in FIG. 15 with the first side being on top and the second side being on the bottom;  
FIG. 24 is a magnified plan view of a joint section of the second edge of the stirring utensil shown in FIG. 23;  
FIG. 25 is a back handle end plan view of the stirring utensil shown in FIG. 15;  
FIG. 26 is a magnified back handle end plan view of the stirring utensil shown in FIG. 25;  
FIG. 27 is a front tip end plan view of the stirring utensil shown in FIG. 15; and,  
FIG. 28 is a front tip end plan magnified plan view of the stirring utensil shown in FIG. 27.  
The views shown magnified are shown this way for clarity of illustration.

**1 Claim, 8 Drawing Sheets**



# US D667,708 S

Page 2

---

## U.S. PATENT DOCUMENTS

D311,120 S *	10/1990	Cautereels et al. ....	D7/688	D606,372 S *	12/2009	Gorskey et al. ....	D7/688
D488,033 S *	4/2004	Overthun et al. ....	D7/688	D616,713 S *	6/2010	Jossem .....	D7/688
D496,230 S *	9/2004	Germany .....	D7/688	D618,521 S *	6/2010	Jalet et al. ....	D7/688
D516,392 S *	3/2006	de Vries .....	D7/688	D620,768 S *	8/2010	Jossem .....	D7/688
D586,630 S *	2/2009	Vendl et al. ....	D7/688				

\* cited by examiner

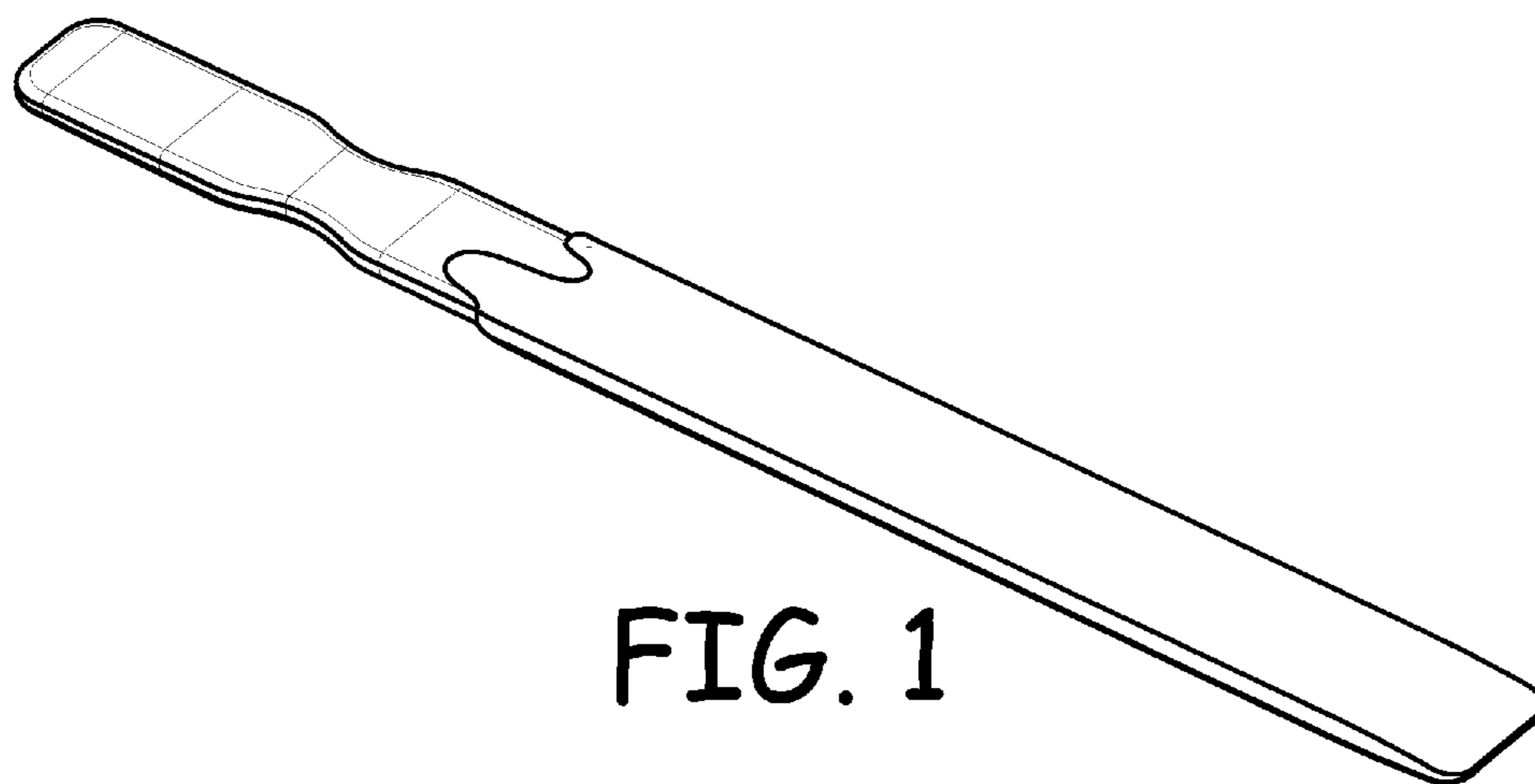


FIG. 1

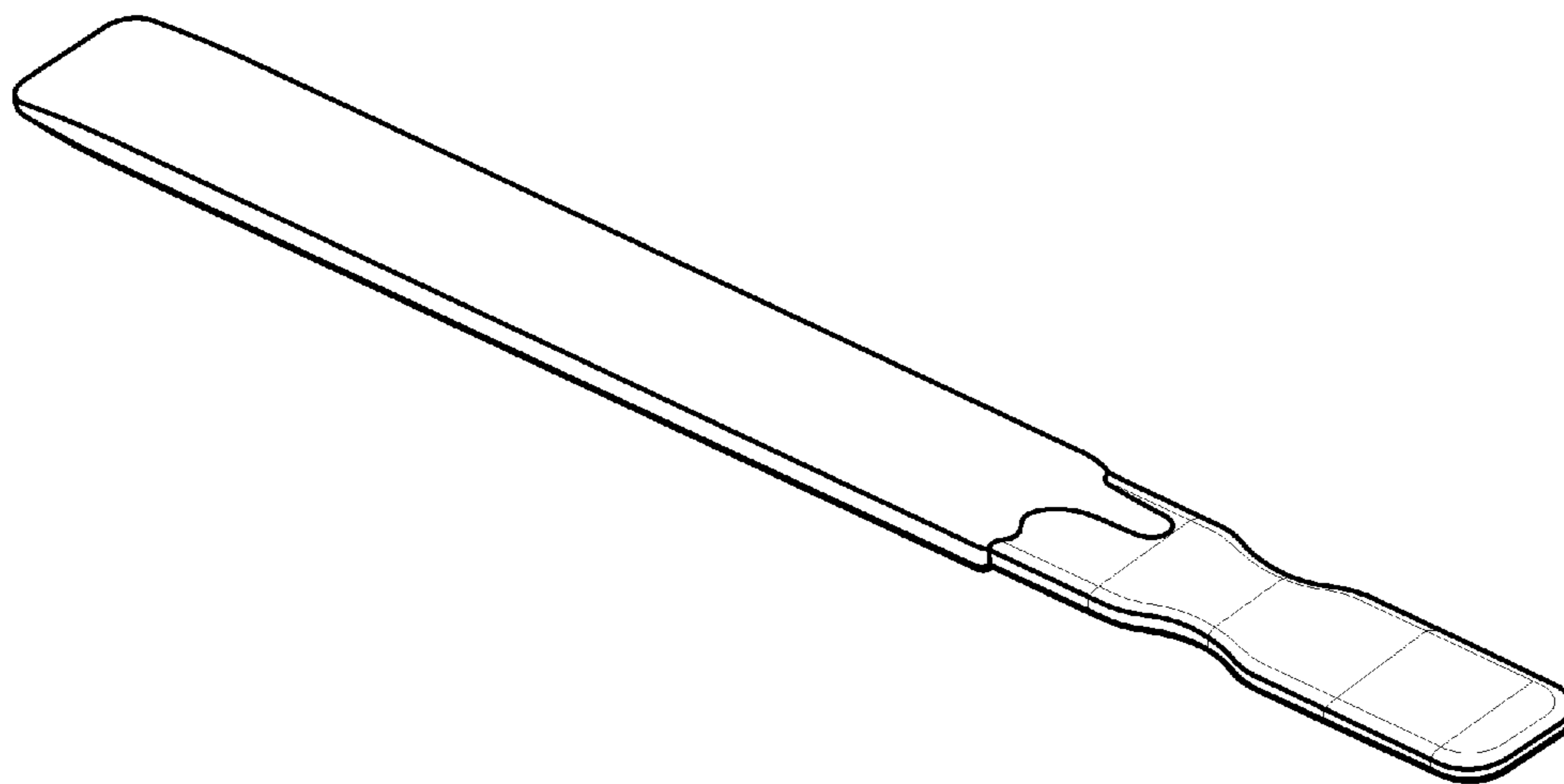


FIG. 2



FIG. 3

FIG. 5

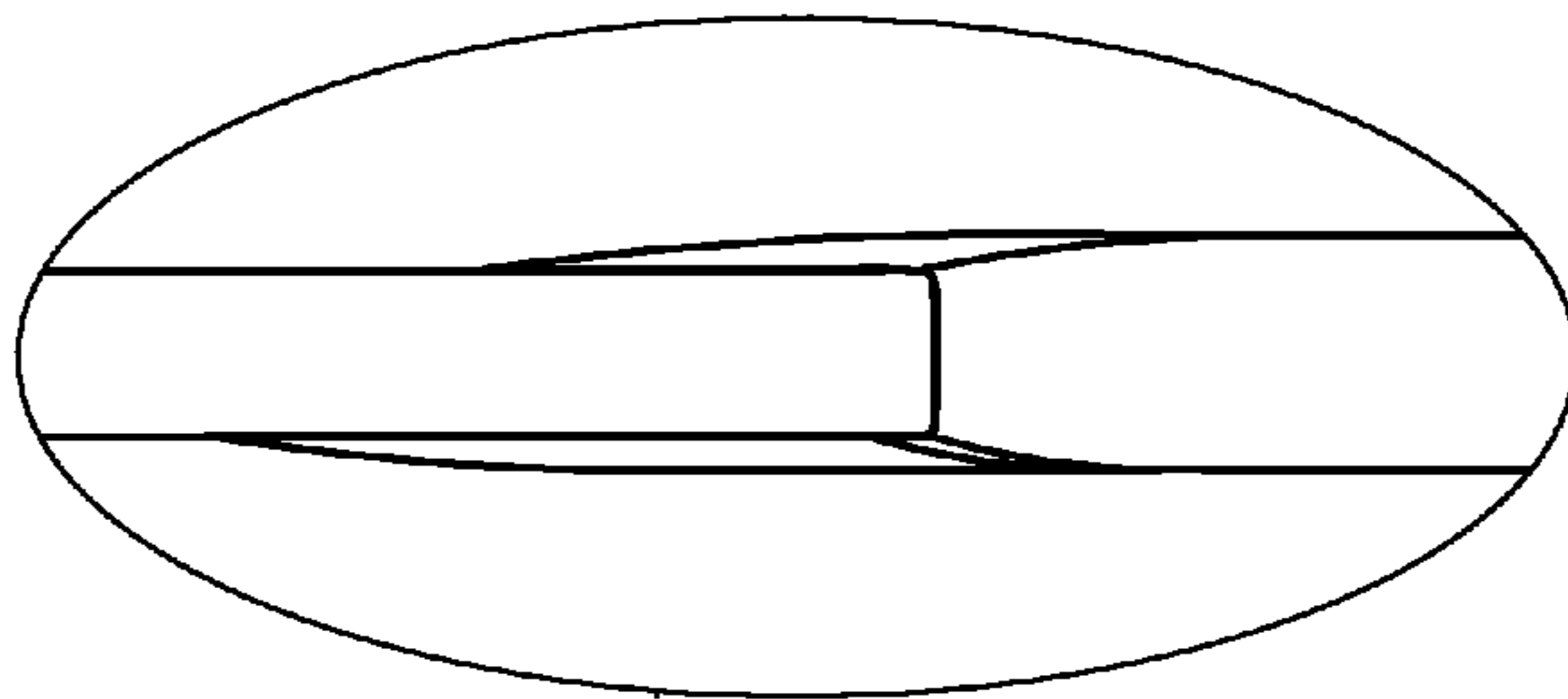


FIG. 6

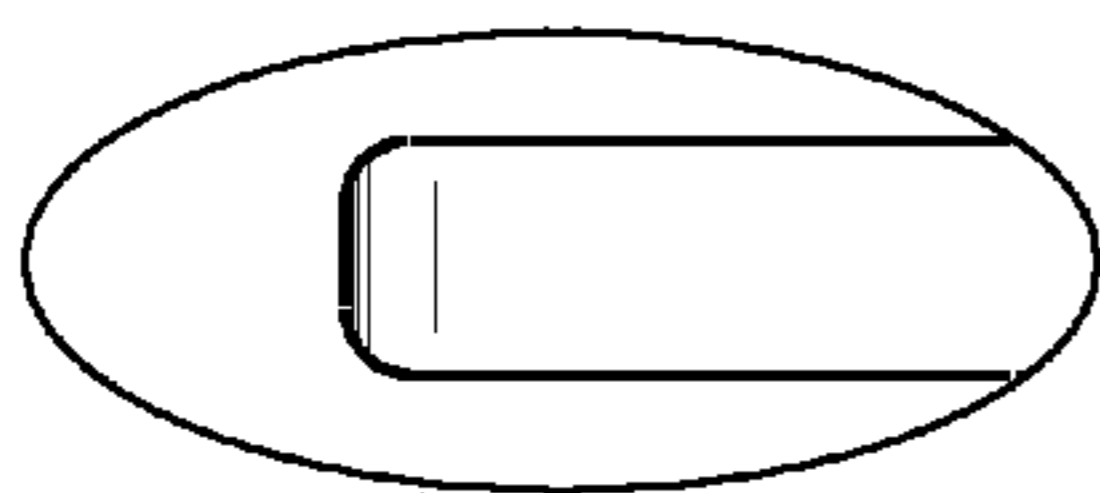


FIG. 7

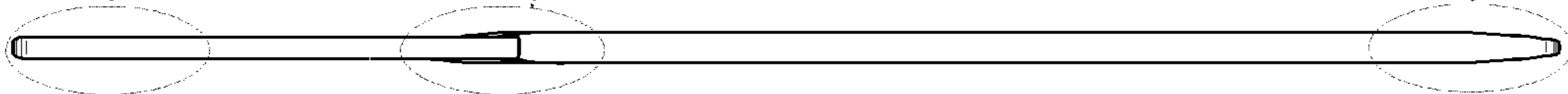
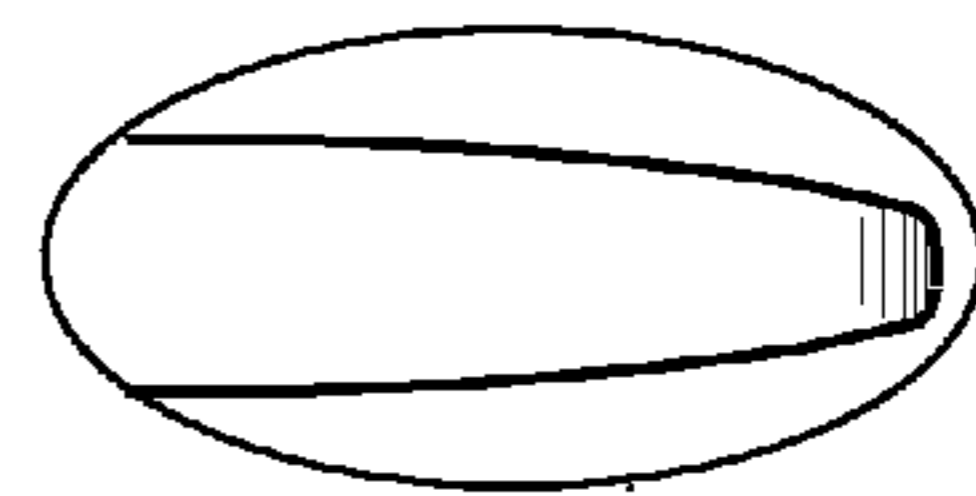


FIG. 4



FIG. 8

FIG. 10

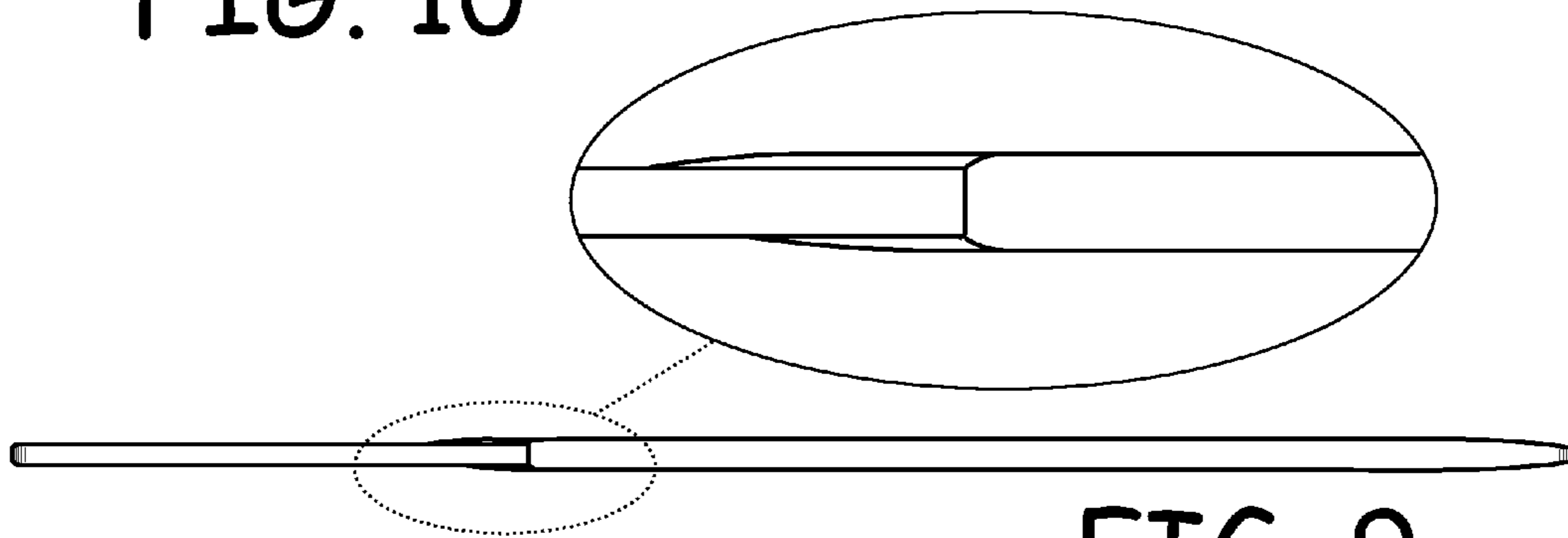
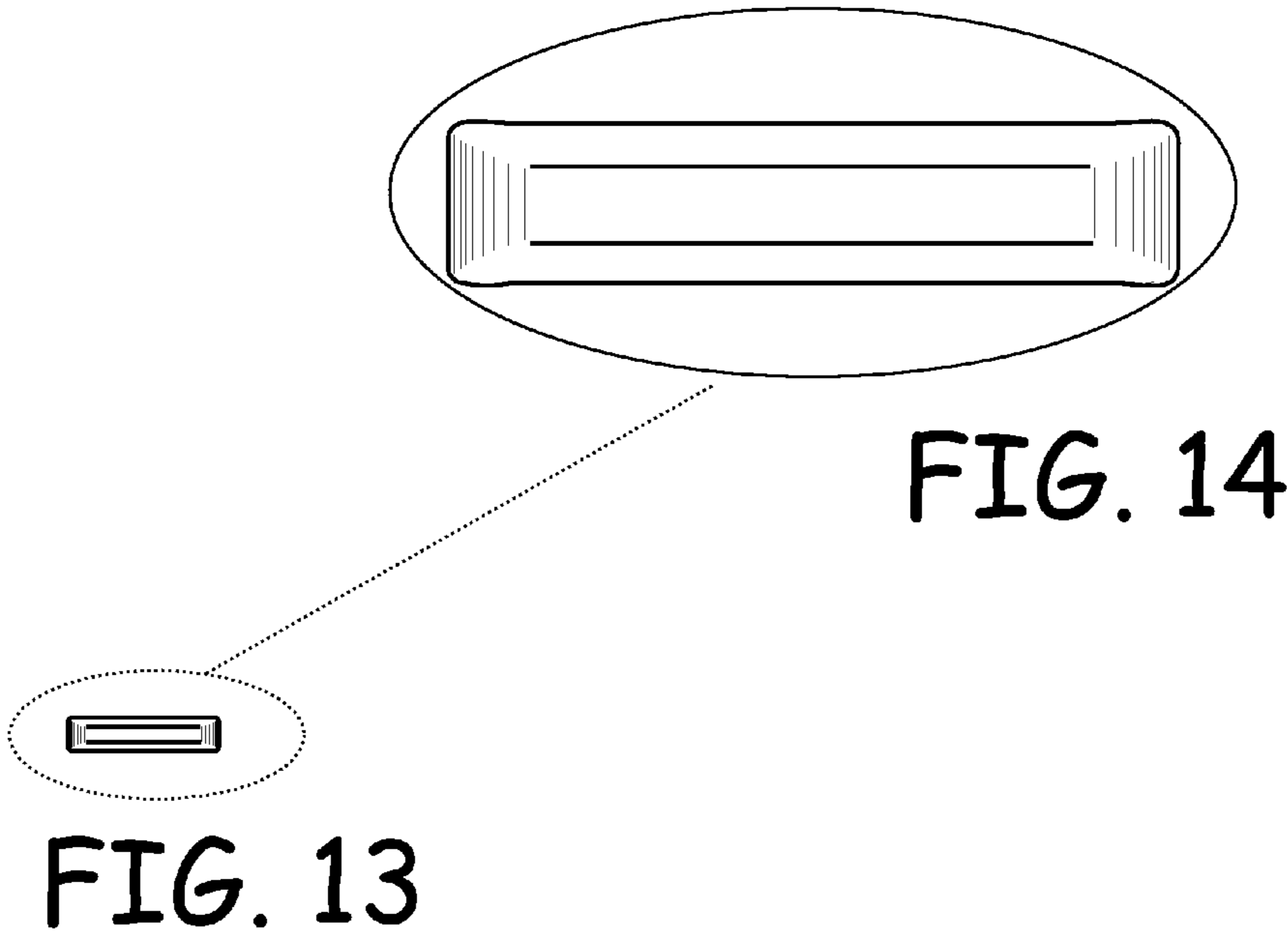
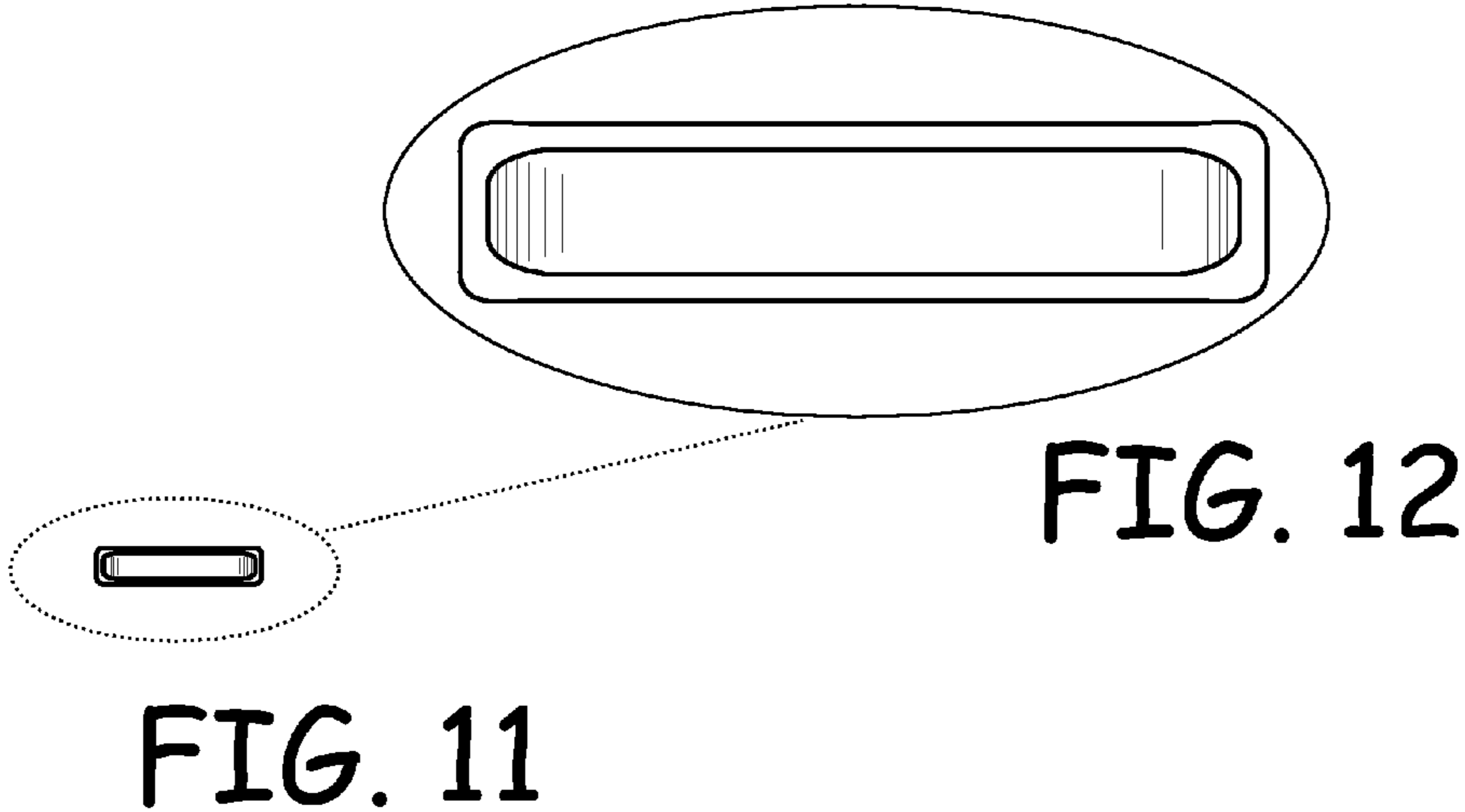


FIG. 9



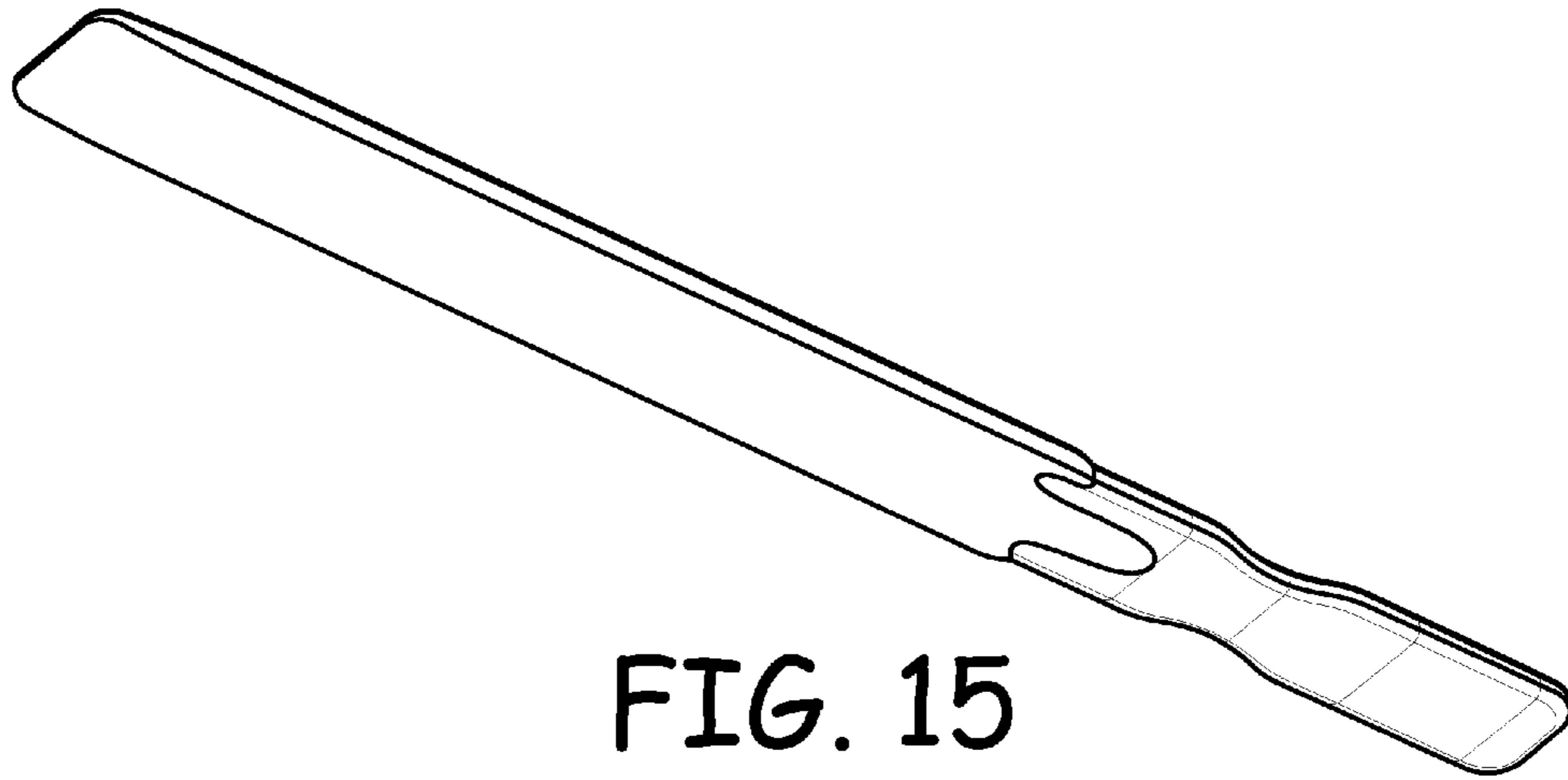


FIG. 15

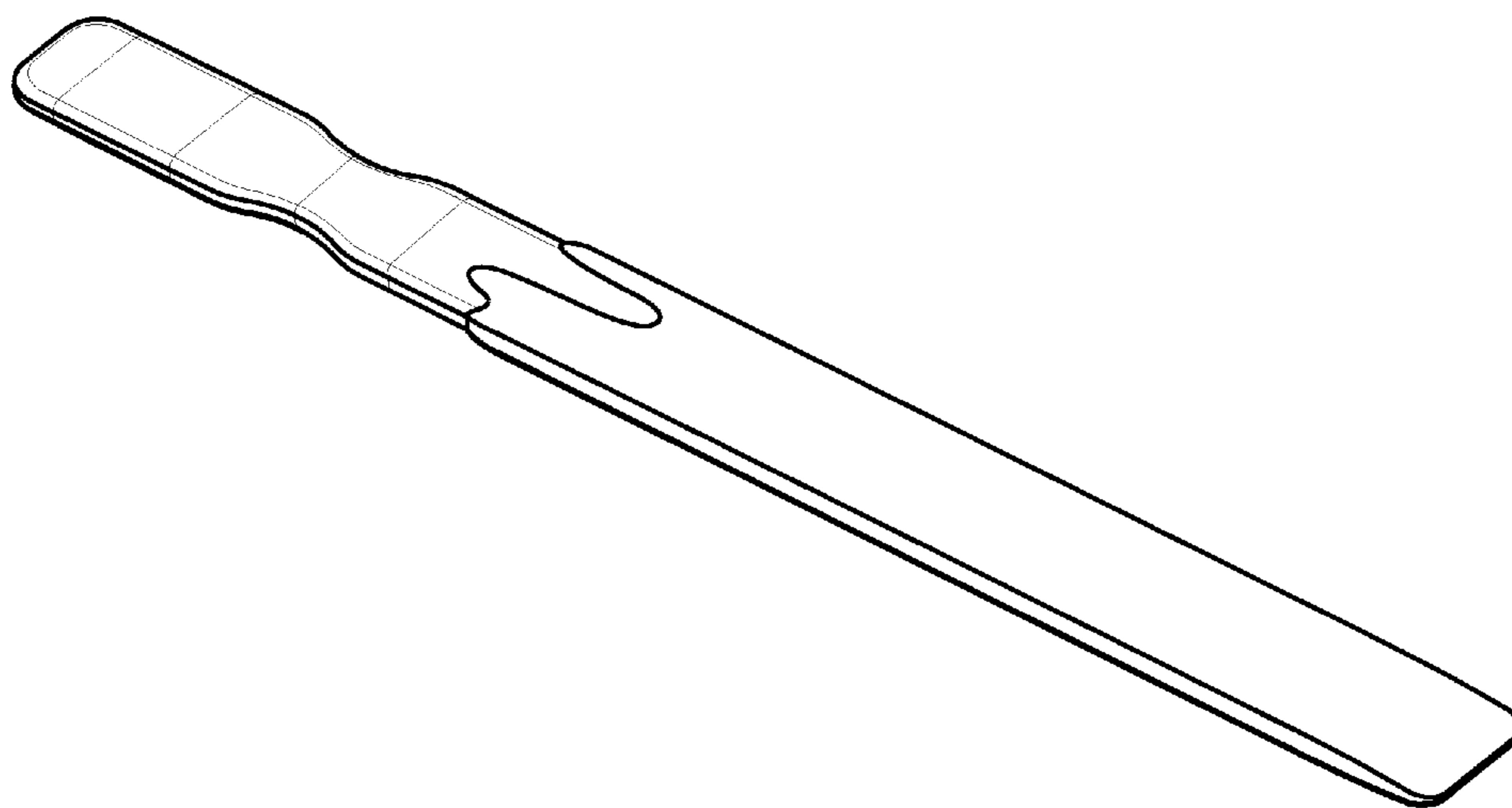


FIG. 16



FIG. 17

FIG. 19

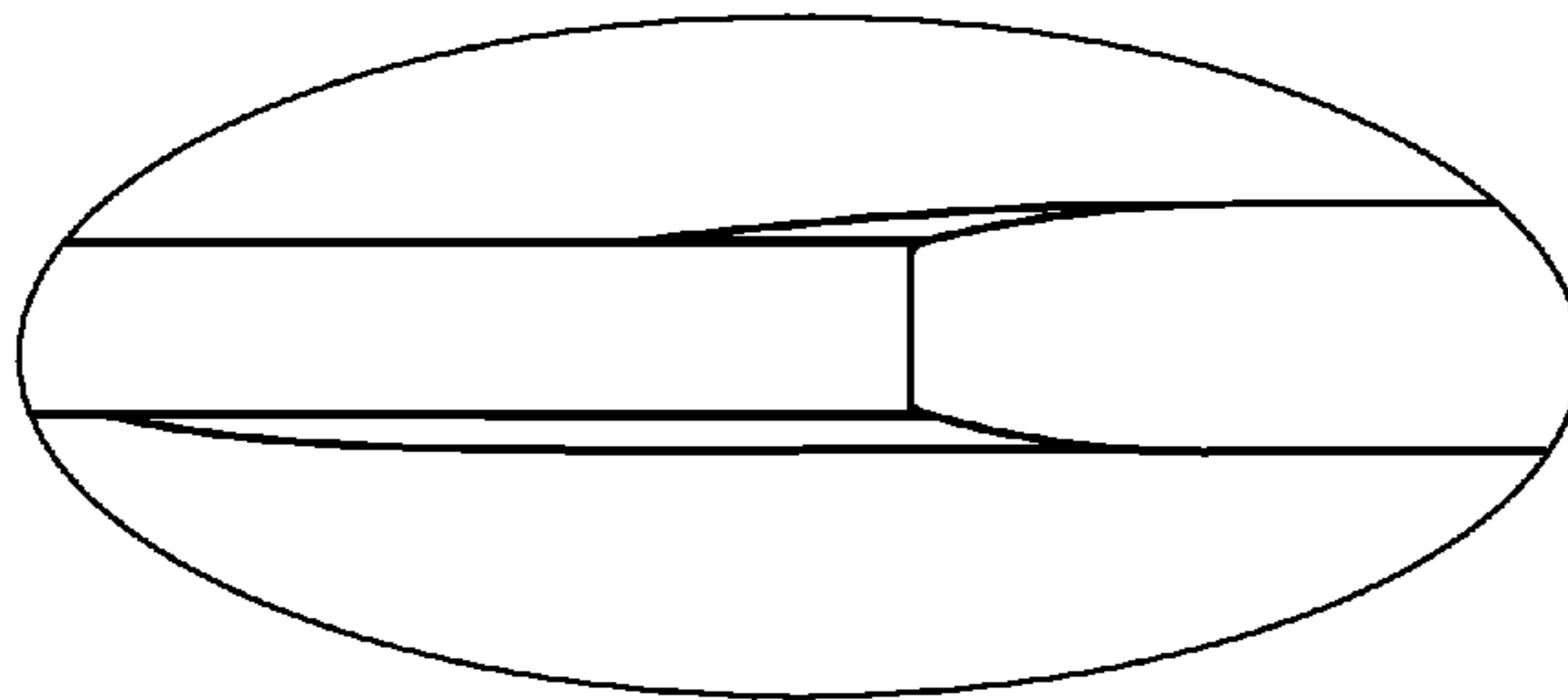


FIG. 20

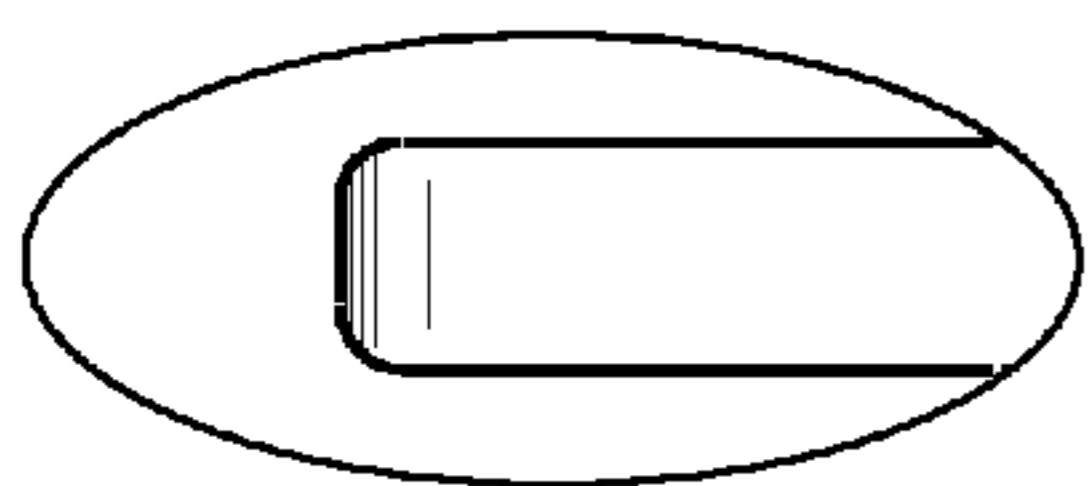


FIG. 21

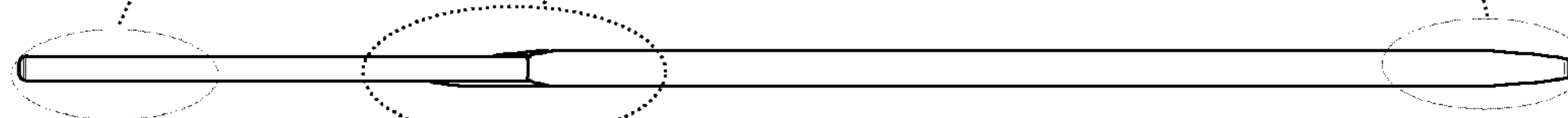
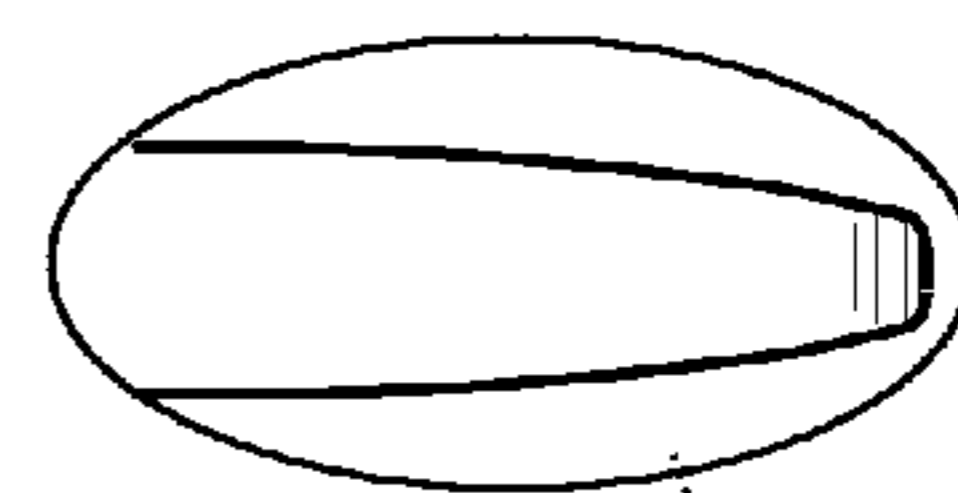


FIG. 18





FIG. 22

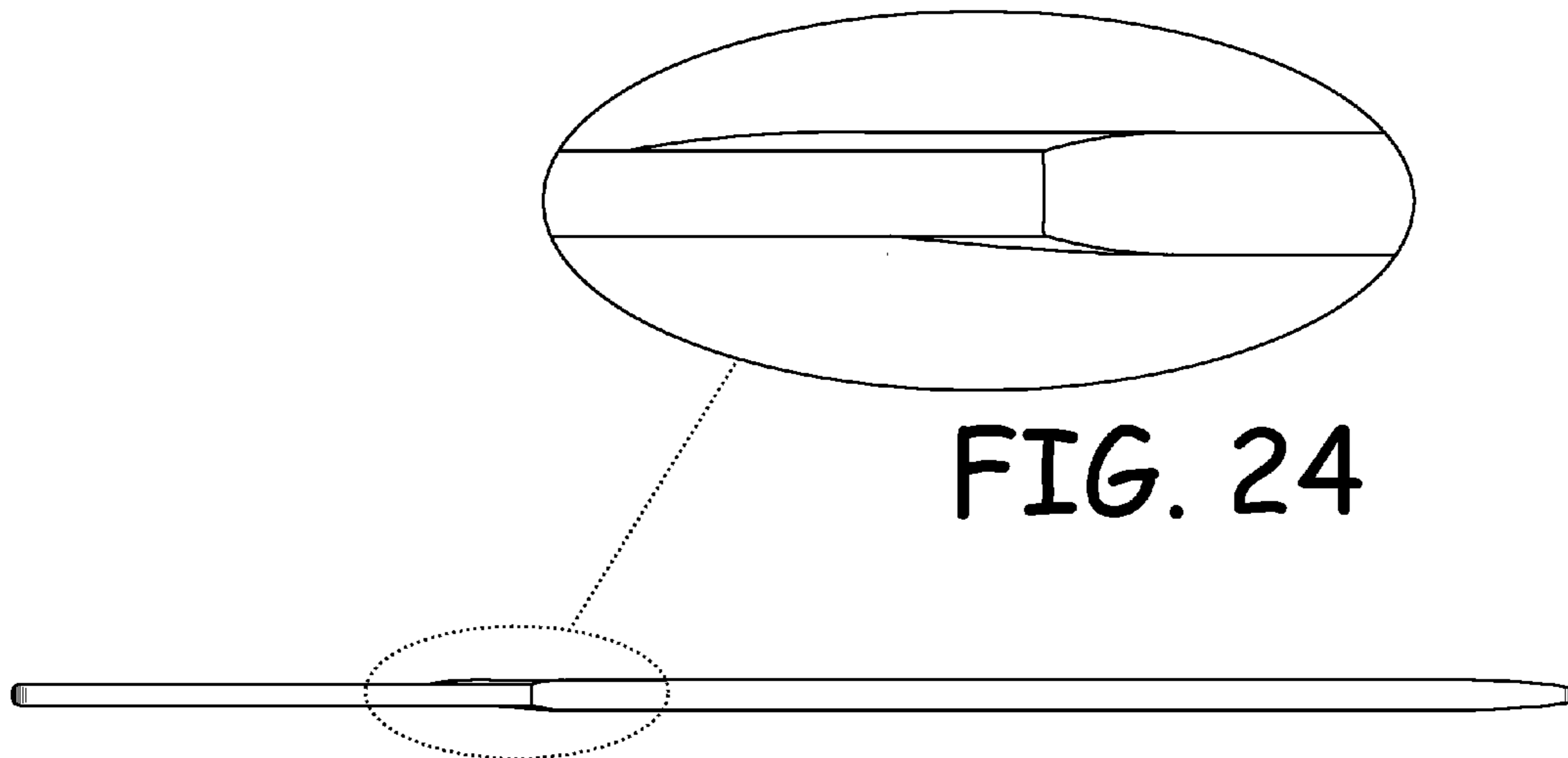


FIG. 24

FIG. 23

